

Pos.	Code NR	Description
1	4111.604	Upper body
2	4032.458	Upper body mobile
3	4111.241	Elastic plate Ø 4,2
4	4032.465	Inlet grille
5	4032.431	Motor 4PW 230V/50 IP44
6	4032.463	Motor flange support
7	4032.430	Fan Ø 500mm-27°
8	4111.056	Protection cable
9	4032.518	Central Air flap
10	4104.170	Clip nut
11	4032.452	Outlet cone
12	4111.638	Combustion chamber
13	4032.460	Lower body
14	4032.462	Air flap
15	4032.470	Base
16	4032.466	Electr. componets drawer panel
17	4032.468	Side Panel
18	4032.536	Power cord hook
19	4160.646	Protection cable
20	4032.475	Fuel level probe L=241,3
21	4032.537	Tank plug seal
22	4032.480	Handle frame
23	4032.476	Foot frame
24	4100.632	Drain plug
25	4032.439	Fuel tank
26	4111.480	Wheel plug
27	4111.072	Wheel holder Ø 20
28	4110.978	Wheel
29	4032.478	Axle
30	4101.151	Protection cable
34	4032.488	Conn. straight M10
35	4032.436	Fuel pipe pump-tank
36	4032.092	Pipe connection M10
37	4032.434	Fuel pipe tank-filter
38	4031.803	Connection 90° 3/8"
39	4032.437	Filter support
40	4111.045	Filter with cartidge 3/8"
41	4031.015	Filter cartridge
42	4031.802	Double screw
43	4031.800	Conn. straight 3/8" Mx5
44	4111.273	Connection 90° 1/8"
45	4032.435	Fuel pipe filter-pump
46	4111.116	OR KIT filter
50	4032.466	Electr. componets drawer panel
51	4117.058	Pilot lamp 230V
52	4111.040	Fuse (6,3x32) 10 A
53	4111.038	Cable fastener
54	4111.153	Power cord 3mt
55	4111.118	Thermostat plug
56	4111.119	Thermostat socket

Pos.	Code NR	Description
57	4160.637	Switch 16A
58	4110.968	Control box Satronic
59	4032.448	Electr. Components base
60	4032.499	Control box support
61	4110.969	Control box base
62	4110.967	PG plate
63	4110.155	Edge Liner
64	4111.033	Terminal board
65	4160.639	Pop rivet with termin. 4 way
66	4032.450	Plastic pin
67	4111.032	Relay Finder
68	4111.030	Transformer support
69	4031.035	Transformer
70	4110.971	H.T. cable
100	4111.081	Coupling Simel
101	4032.432	Pump Danfoss
102	4161.501	Nut for bicone 1/8
103	4161.140	Connection 90° 1/8"
104	4032.433	Oil supply pipe
105	4031.160	Conn. Straight 1/4"
106	4032.463	Motor flange support
109	4110.970	Photocell conn. cable.
110	4110.966	Photocell
112	4111.076	Photocell block bracket
113	4032.406	Photocell support
114	4032.405	Burner flange Ø 101,6mm
115	4032.403	Nozzle support
116	4111.143	Nozzle 2,00 GPH 80°H
117	4032.454	Nut M6
118	4032.453	Air regulatoin flap
119	4032.570	Turbo disc
121	4031.045	Fan Thermostat
122	4031.047	Limit Thermostat
125	4031.095	Electrode
126	4032.110	Power cord Solenoid spool
127	4102.535	Solenoid spool 230V/50Hz
128	4160.968	Conn. straight 1/8"

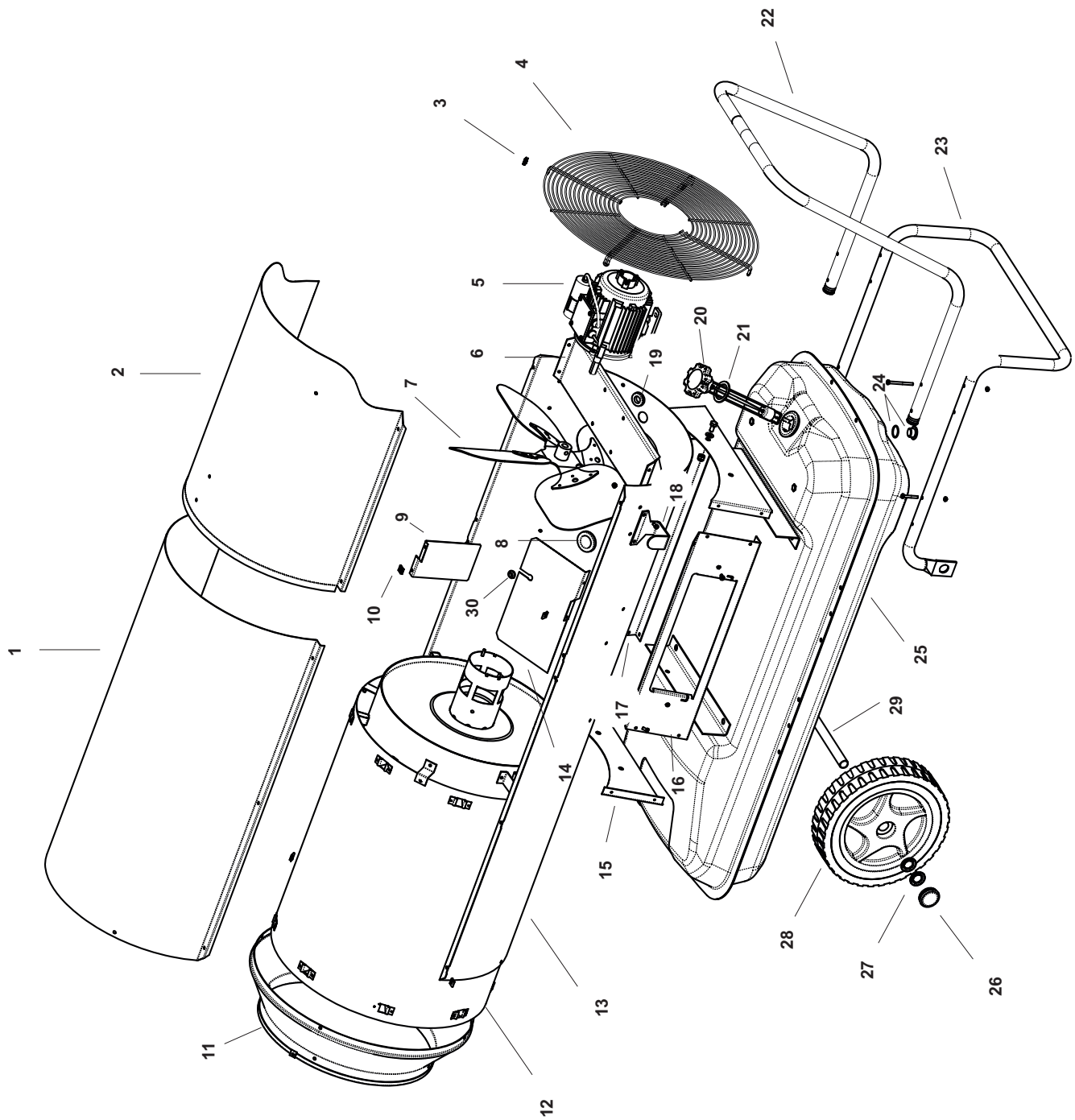
# B360 MODEL 2010

UNIT 1

ILLUSTRATED PARTS BREAKDOWN

From Serial Number: 30200001

Edizione 2010  
Rev. A



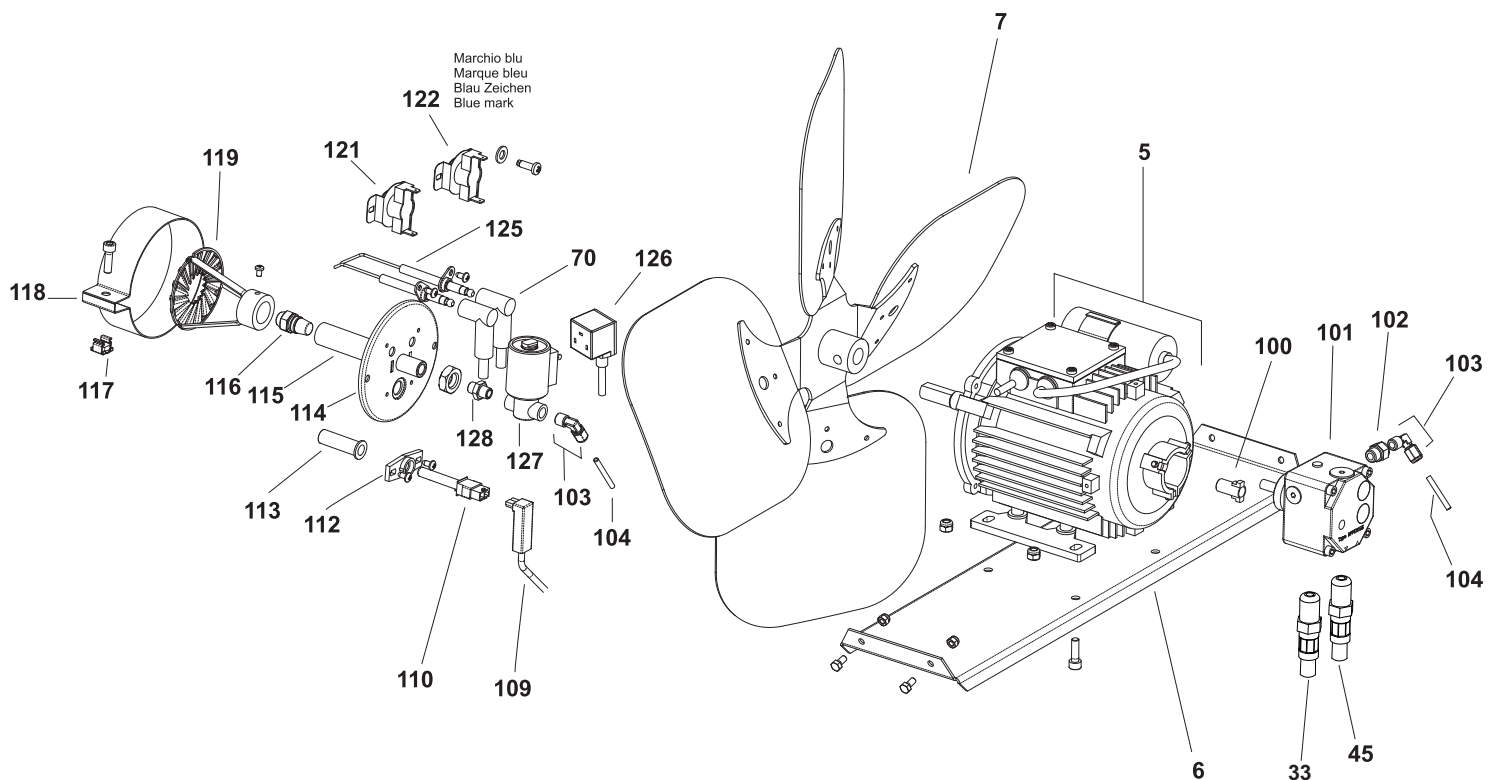
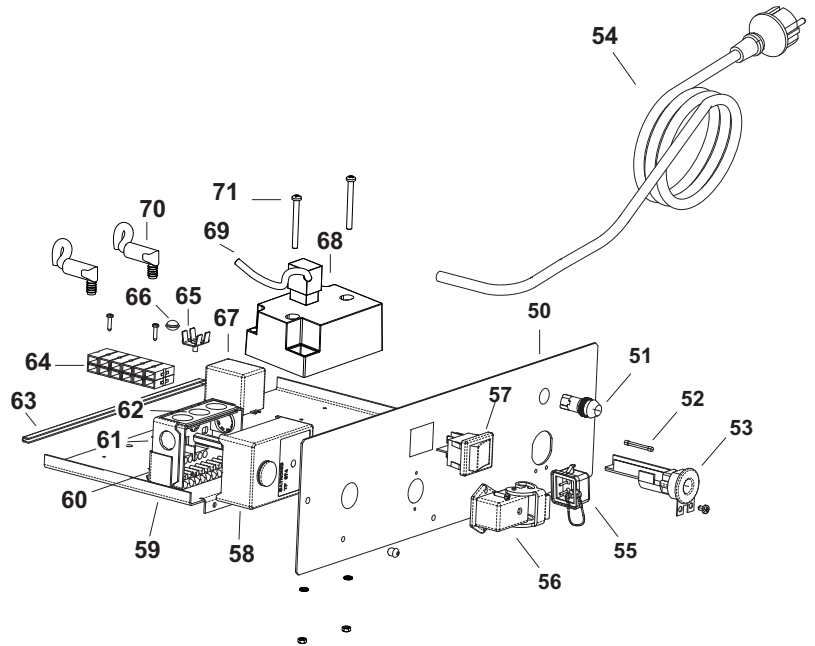
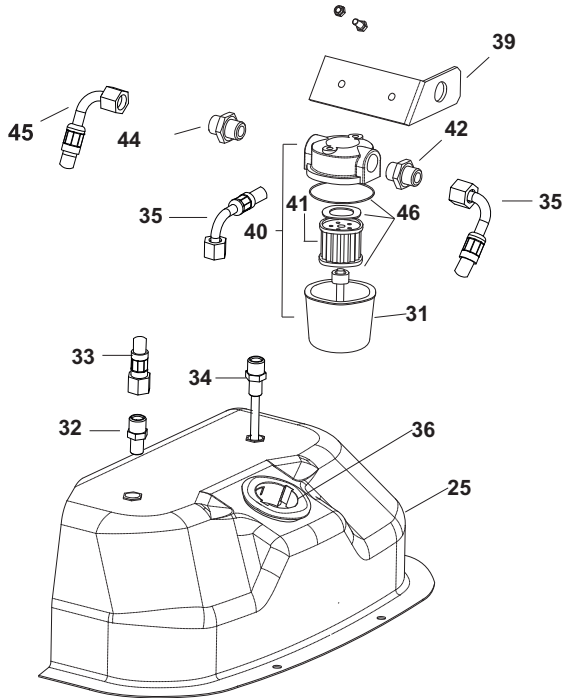
# B360 MODEL 2010

UNIT 2

ILLUSTRATED PARTS BREAKDOWN

From Serial Number: 30200001

Edizione 2010  
Rev. A



Pos.	Code NR	Description
1	4111.604	UPPER BODY
2	4032.458	UPPER BODY MOBILE
3	4111.241	ELASTIC PLATE Ø 4,2
4	4032.465	INLET GRILL
5	4032.431	MOTOR 4PW 230V/50 IP44
6	4032.463	MOTOR FLANGE SUPPORT
7	4032.430	FAN
8	4111.056	PROTECTION CABLE
9	4032.518	CENTRAL AIR FLAP
10	4104.170	CLIP NUT
11	4032.452	OUTLET CONE
12	4111.638	COMBUSTION CHAMBER
13	4032.460	LOWER BODY
14	4032.462	AIR FLAP
15	4032.470	BASE
16	4032.466	ELECTR. COMPONENTS DRAWER PANEL
17	4032.468	SIDE PANEL
18	4032.536	POWER CORD HOOK
19	4160.646	PROTECTION CABLE
20	4032.475	FUEL LEVEL PROBE
21	4032.537	FUEL LEVEL PROBE GASKET
22	4032.480	HANDLE FRAME
23	4032.476	FOOT FRAME
24	4100.632	DRAIG PLUG
25	4032.439	FUEL TANK
26	4111.480	WHEEL PLUG
27	4111.072	WHEEL PLUG Ø 20
28	4110.978	WHEEL
29	4032.478	AXLE
30	4101.151	PROTECTION CABLE
31	4031.180	FILTER HOUSING
32	4031.068	CONN. STRAIGHT 1/4"
33	4031.062	FUEL PIPE PUMP-TANK
34	4031.067	PIPE CONNECTION 1/4"
35	4031.063	FUEL PIPE TANK-FILTER
36	4032.472	NECK PLASTIC FILLER
39	4032.437	FILTER SUPPORT
40	4031.070	FILTER WITH CARTIDGE 3/8"
41	4031.015	FILTER CARTIDGE
42	4031.064	DOUBLE SCREW
44	4117.049	DOUBLE SCREW
45	4031.061	FUEL PIPE FILTER-PUMP
46	4111.116	OR KIT FILTER
50	4032.446	ELECTR. COMPONENTS DRAWER PANEL
51	4117.058	PILOT LAMP
52	4111.040	FUSE (6,3X32) 10 A
53	4111.038	CABLE FASTENER

Pos.	Code NR	Description
54	4111.153	POWER CORD
55	4162.467	CAP FOR THERMOSTAT SOCKET
56	4111.119	THERMOSTAT SOCKET
57	4160.637	SWITCH 16A
58	4110.968	CONTROL BOX SATRONIC
59	4032.448	ELECTR. COMPONENTS BASE
60	4032.499	CONTROL BOX SUPPORT
61	4110.969	CONTROL BOX BASE
62	4110.967	PG PLATE
63	4110.155	EDGE LINER
64	4111.033	TERMINAL BOARD
65	4160.639	POP RIVET WITH TERMIN. 4 WAY
66	4032.450	PLASTIC PIN
67	4111.032	RELAY FINDER
68	4031.541	TRANSFORMER
69	4110.491	TRANSFORMER POWER CORD
70	4110.490	H.T. CABLE
71	4160.421	M4 SCREW
100	4111.081	COUPLING SIMEL
101	4032.432	PUMP DANFOSS
102	4161.501	NUT FOR BICONE 1/8
103	4161.140	CONNECTION 90° 1/8
104	4032.433	OIL SUPPLY PIPE
109	4110.970	PHOTOCELL CONN. CABLE
110	4110.966	PHOTOCELL
112	4111.076	PHOTOCELL BLOCK BRACKET
113	4032.406	PHOTOCELL SUPPORT
114	4032.405	BURNER FLANGE
115	4032.403	NOZZLE SUPPORT
116	4111.143	NOZZLE 2,00 GPH 80°H
117	4032.454	M6 NUT
118	4032.453	AIR REGULATION FLAP
119	4032.570	TURBO DISC
121	4031.045	FAN THERMOSTAT
122	4031.047	LIMIT THERMOSTAT
125	4031.095	ELECTRODE
126	4032.110	POWER CORD SOLENOID SPOOL
127	4102.535	SOLENOID SPOOL 230V/50Hz
128	4160.968	CONN. STRAIGHT 1/8"



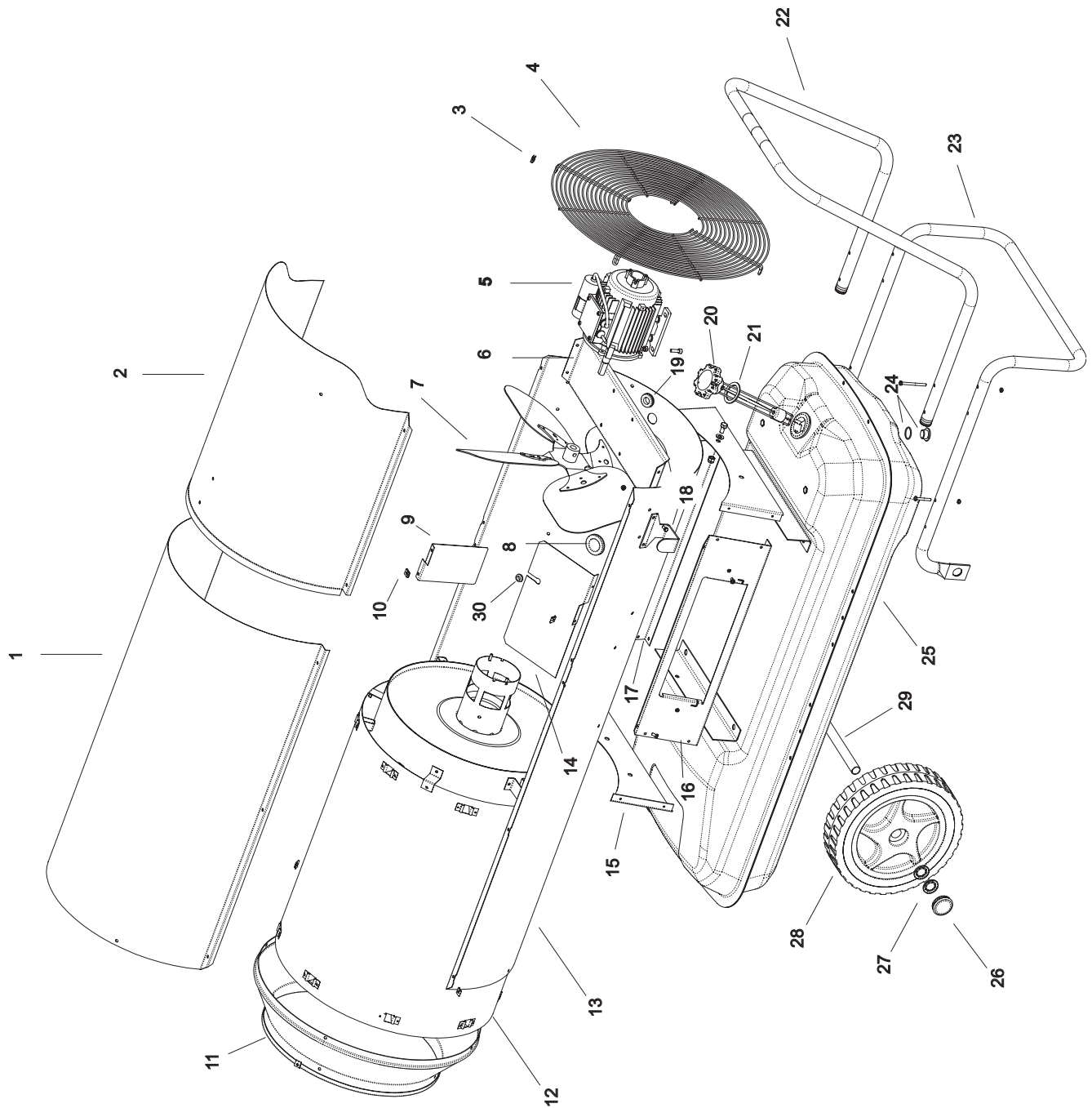
# B 360 2011 MODEL

UNIT 1

ILLUSTRATED PARTS BREAKDOWN

From Serial Number: 31200285

Edizione 2011  
Rev. A



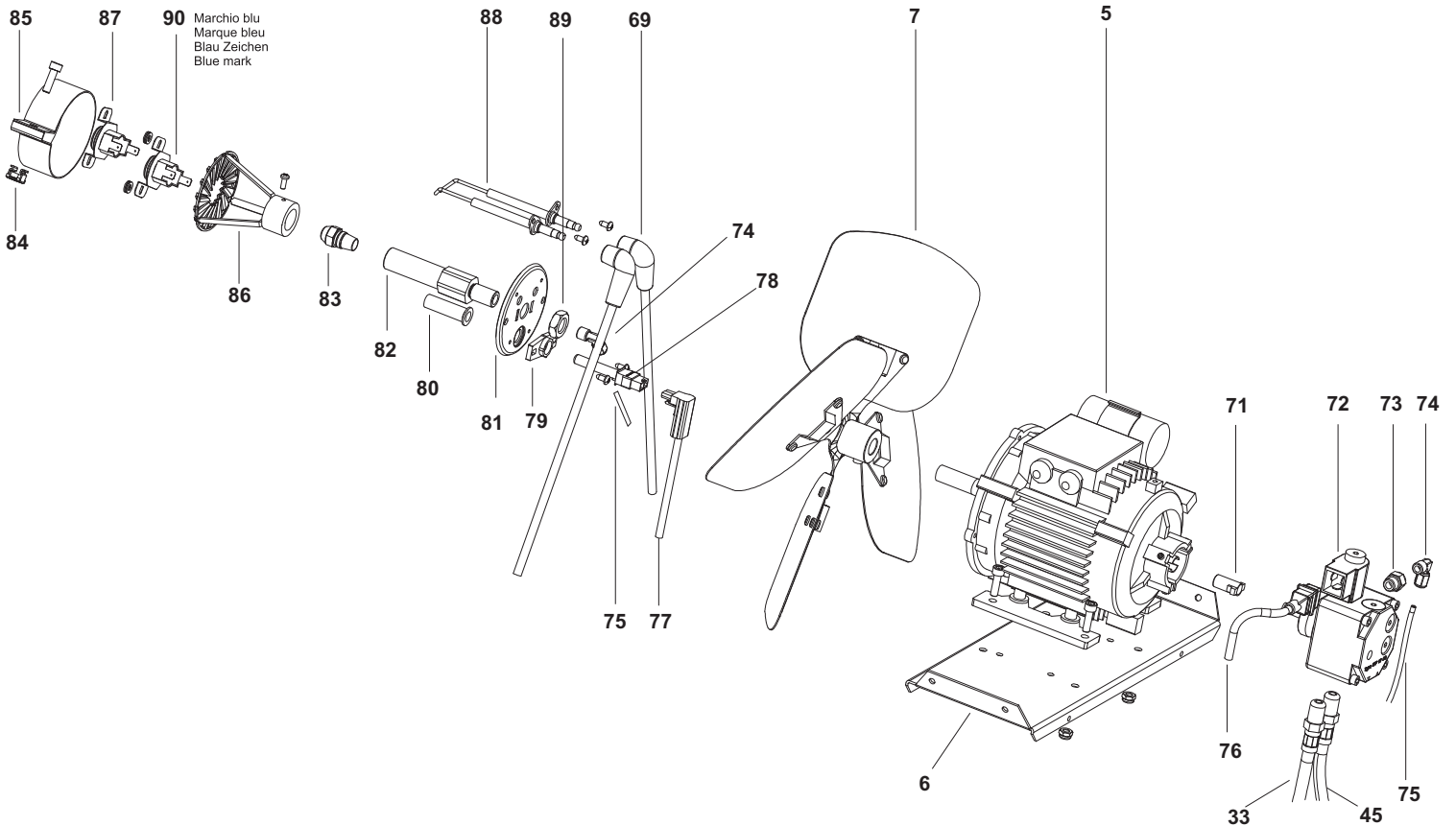
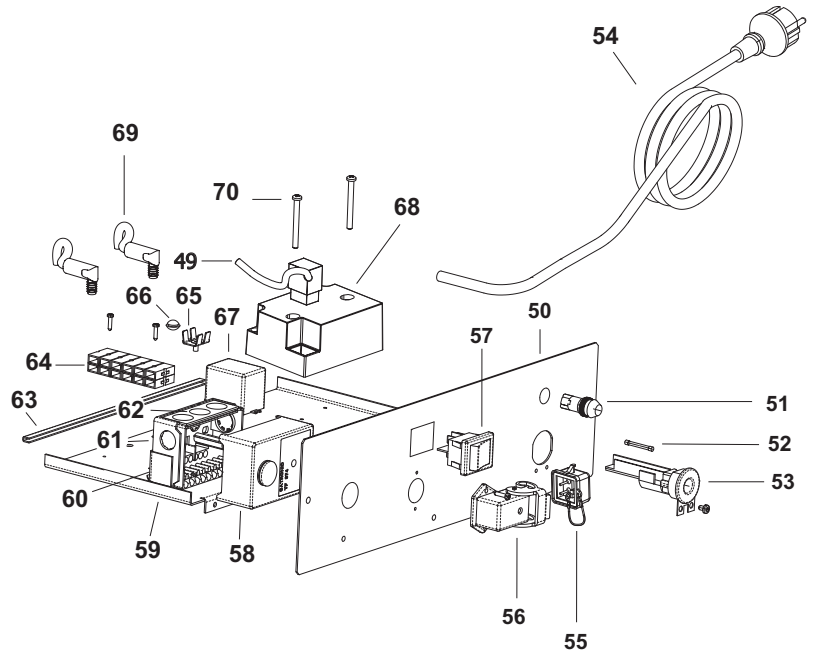
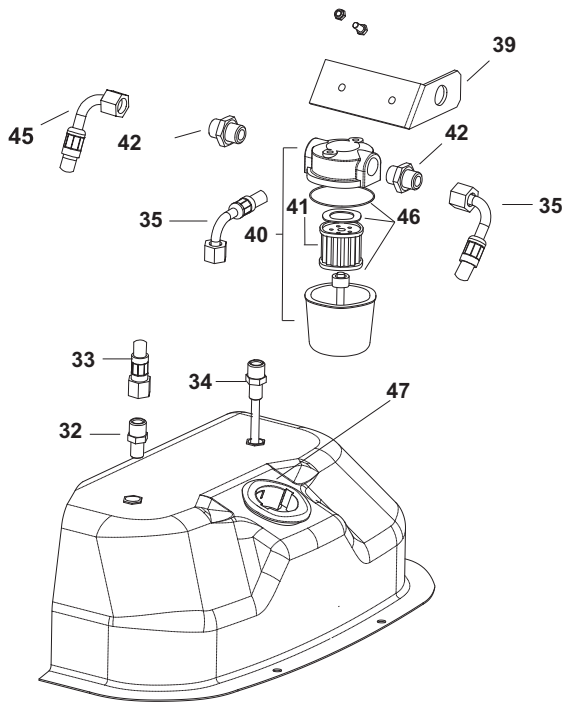
# B 360 2011 MODEL

UNIT 2

ILLUSTRATED PARTS BREAKDOWN

From Serial Number: 31200285

Edizione 2011  
Rev. A



Pos.	Code NR	Description
1	4111.604	UPPER BODY
2	4032.458	UPPER BODY MOBILE
3	4111.241	ELASTIC PLATE Ø 4,2
4	4032.465	INLET GRILL
5	4032.431	MOTOR 4PW 230V/50 IP44
6	4032.463	MOTOR FLANGE SUPPORT
7	4032.430	FAN
8	4111.056	PROTECTION CABLE
9	4032.518	CENTRAL AIR FLAP
10	4104.170	CLIP NUT
11	4032.452	OUTLET CONE
12	4111.638	COMBUSTION CHAMBER
13	4032.460	LOWER BODY
14	4111.610	AIR FLAP
15	4032.470	BASE
16	4032.466	ELECTR. COMPONENTS DRAWER PANEL
17	4032.468	SIDE PANEL
18	4032.536	POWER CORD HOOK
19	4160.646	PROTECTION CABLE
20	4032.475	FUEL LEVEL PROBE
21	4032.537	FUEL LEVEL PROBE GASKET
22	4032.480	HANDLE FRAME
23	4032.476	FOOT FRAME
24	4100.632	DRAIG PLUG
25	4032.439	FUEL TANK
26	4111.480	WHEEL PLUG
27	4111.072	WHEEL PLUG Ø 20
28	4110.978	WHEEL
29	4032.478	AXLE
30	4101.151	PROTECTION CABLE
32	4031.068	CONN. STRAIGHT 1/4"
33	4031.062	FUEL PIPE PUMP-TANK
34	4031.067	PIPE CONNECTION 1/4"
35	4031.063	FUEL PIPE TANK-FILTER
39	4032.437	FILTER SUPPORT
40	4031.070	FILTER WITH CARTIDGE 3/8"
41	4031.015	FILTER CARTIDGE
42	4031.064	DOUBLE SCREW
45	4031.061	FUEL PIPE FILTER-PUMP
46	4111.116	OR KIT FILTER
47	4032.472	NECK PLASTIC FILLER
49	4110.491	TRANSFORMER POWER CORD
50	4032.446	ELECTR. COMPONENTS DRAWER PANEL

Pos.	Code NR	Description
51	4117.058	PILOT LAMP
52	4111.040	FUSE (6,3X32) 10 A
53	4111.038	CABLE FASTENER
54	4111.153	POWER CORD
55	4162.467	CAP FOR THERMOSTAT SOCKET
56	4111.119	THERMOSTAT SOCKET
57	4160.637	SWITCH 16A
58	4110.968	CONTROL BOX SATRONIC
59	4032.448	ELECTR. COMPONENTS BASE
60	4032.499	CONTROL BOX SUPPORT
61	4110.969	CONTROL BOX BASE
62	4110.967	PG PLATE
63	4110.155	EDGE LINER
64	4111.033	TERMINAL BOARD
65	4160.639	POP RIVET WITH TERMIN. 4 WAY
66	4032.450	PLASTIC PIN
67	4111.032	RELAY FINDER
68	4031.541	TRANSFORMER
69	4110.490	H.T. CABLE
70	4160.421	M4 SCREW
71	4111.081	COUPLING SIMEL
72	4033.122	PUMP DANFOSS
73	4161.501	NUT FOR BICONE 1/8
74	4161.140	CONNECTION 90° 1/8
75	4032.433	OIL SUPPLY PIPE
76	4033.087	POWER CORD PUMP
77	4110.970	PHOTOCELL CONN. CABLE
78	4110.966	PHOTOCELL
79	4111.076	PHOTOCELL BLOCK BRACKET
80	4032.406	PHOTOCELL SUPPORT
81	4032.405	BURNER FLANGE
82	4032.403	NOZZLE SUPPORT
83	4111.143	NOZZLE 2,00 GPH 80°H
84	4032.454	M6 NUT
85	4032.453	AIR REGULATION FLAP
86	4033.071	TURBO DISC
87	4031.045	FAN THERMOSTAT
88	4033.057	ELECTRODE
89	4032.407	NUT M14
90	4031.047	LIMIT THERMOSTAT

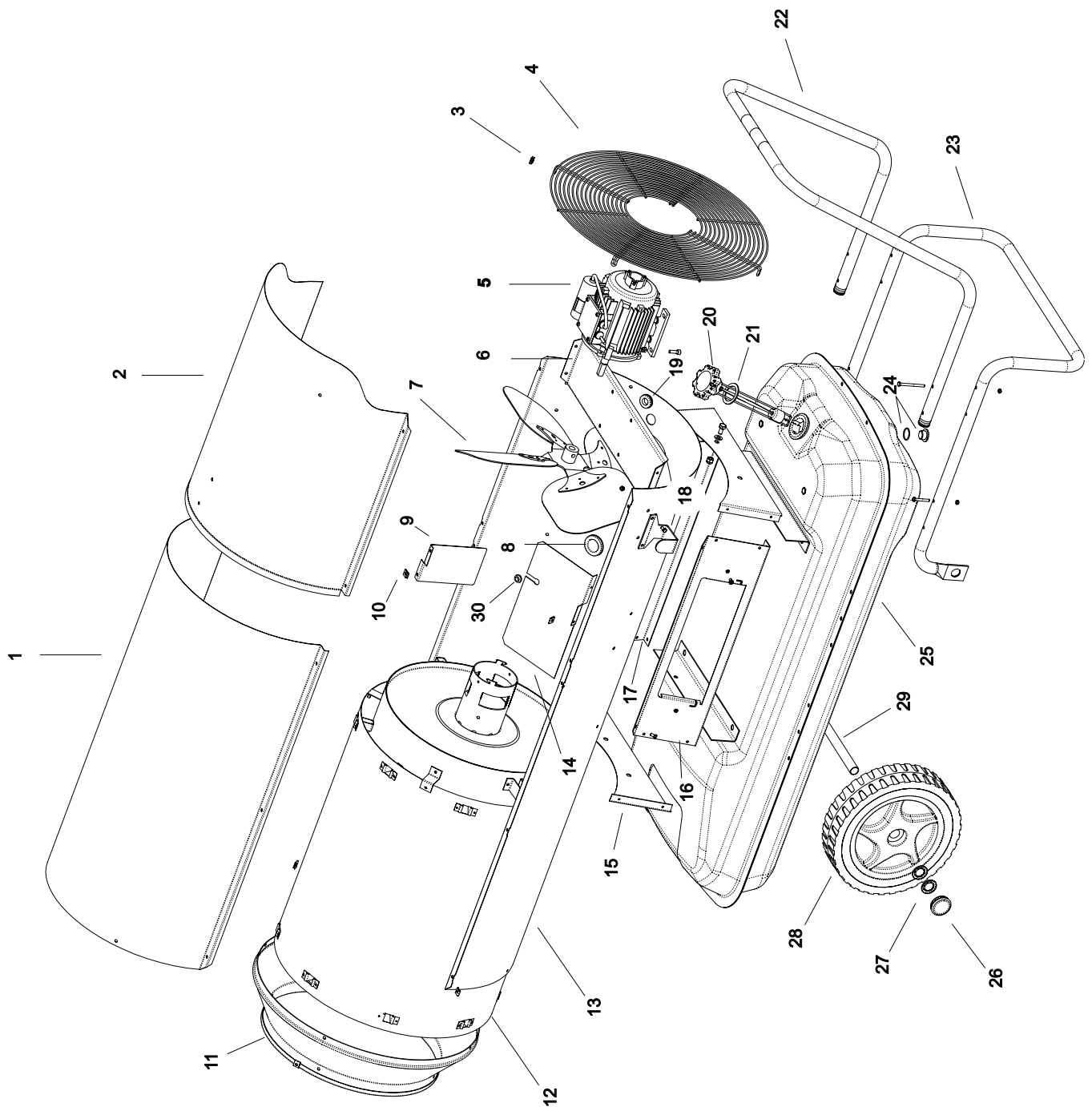
# B 360 MODEL 2012

UNIT 1

ILLUSTRATED PARTS BREAKDOWN

From Serial Number: 32200522

Edizione 2012  
Rev. A



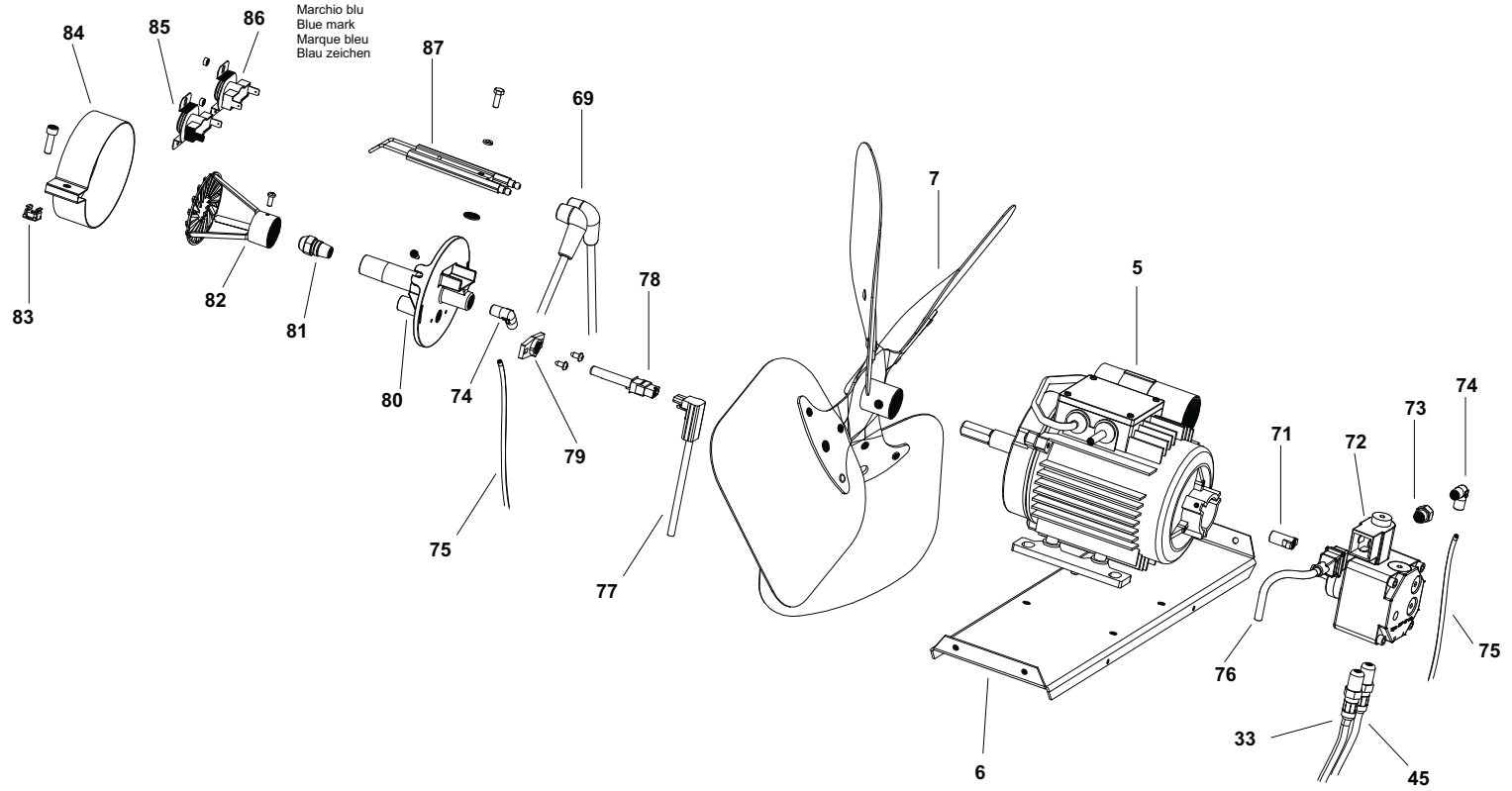
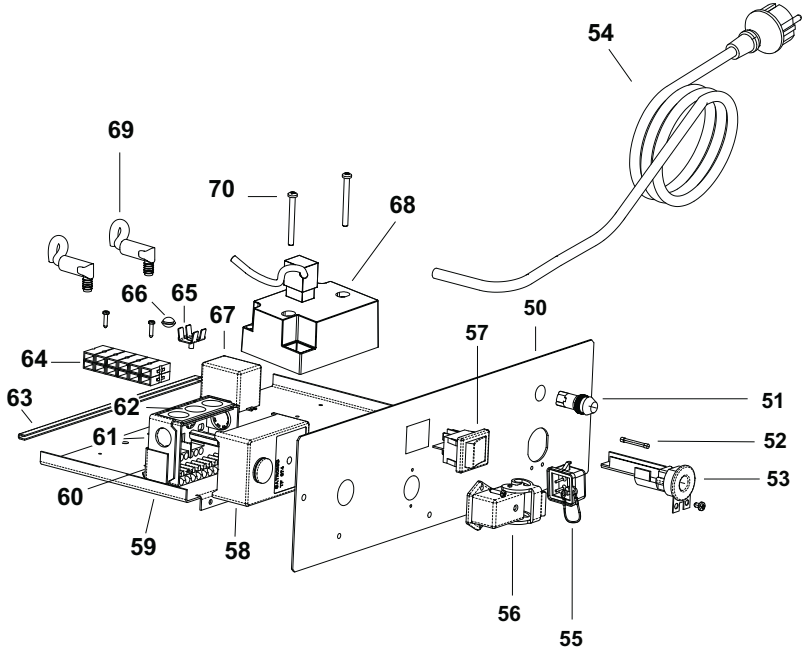
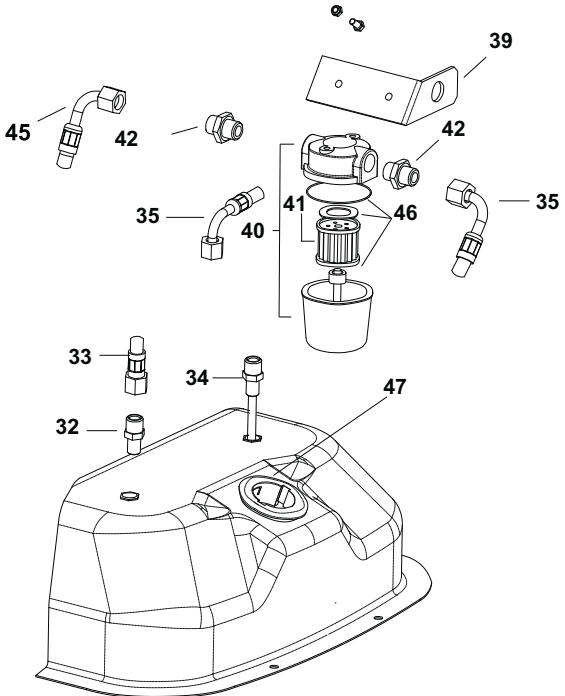
# B 360 MODEL 2012

UNIT 2

ILLUSTRATED PARTS BREAKDOWN

From Serial Number: 32200523

Rev.A - May 2012



Pos.	Code NR	Description
1	4111.604	UPPER BODY
2	4032.458	UPPER BODY MOBILE
3	4111.241	ELASTIC PLATE Ø 4,2
4	4032.465	INLET GRILL
5	4032.431	MOTOR 4PW 230V/50 IP44
6	4032.463	MOTOR FLANGE SUPPORT
7	4032.430	FAN
8	4111.056	PROTECTION CABLE
9	4032.518	CENTRAL AIR FLAP
10	4104.170	CLIP NUT
11	4032.452	OUTLET CONE
12	4033.197	COMBUSTION CHAMBER
13	4032.460	LOWER BODY
14	4111.610	AIR FLAP
15	4032.470	BASE
16	4032.466	ELECTR. COMPONENTS DRAWER PANEL
17	4032.468	SIDE PANEL
18	4032.536	POWER CORD HOOK
19	4160.646	PROTECTION CABLE
20	4032.475	FUEL LEVEL PROBE
21	4032.537	FUEL LEVEL PROBE GASKET
22	4032.480	HANDLE FRAME
23	4032.476	FOOT FRAME
24	4100.632	DRAIG PLUG
25	4032.439	FUEL TANK
26	4111.480	WHEEL PLUG
27	4111.072	WHEEL PLUG Ø 20
28	4110.978	WHEEL
29	4032.478	AXLE
30	4101.151	PROTECTION CABLE
32	4031.068	CONN. STRAIGHT 1/4"
33	4031.062	FUEL PIPE PUMP-TANK
34	4031.067	PIPE CONNECTION 1/4"
35	4031.063	FUEL PIPE TANK-FILTER
39	4032.437	FILTER SUPPORT
40	4031.070	FILTER WITH CARTIDGE 3/8"
41	4031.015	FILTER CARTIDGE
42	4031.064	DOUBLE SCREW
45	4031.061	FUEL PIPE FILTER-PUMP
46	4111.116	OR KIT FILTER
47	4032.472	NECK PLASTIC FILLER
50	4032.446	ELECTR. COMPONENTS DRAWER PANEL
51	4117.058	PILOT LAMP

---

<b>Pos.</b>	<b>Code NR</b>	<b>Description</b>
52	4111.040	FUSE (6,3X32) 10 A
53	4111.038	CABLE FASTENER
54	4111.153	POWER CORD
55	4162.467	CAP FOR THERMOSTAT SOCKET
56	4111.119	THERMOSTAT SOCKET
57	4160.637	SWITCH 16A
58	4110.968	CONTROL BOX SATRONIC
59	4032.448	ELECTR. COMPONENTS BASE
60	4032.499	CONTROL BOX SUPPORT
61	4110.969	CONTROL BOX BASE
62	4110.967	PG PLATE
63	4110.155	EDGE LINER
64	4111.033	TERMINAL BOARD
65	4160.639	POP RIVET WITH TERMIN. 4 WAY
66	4032.450	PLASTIC PIN
67	4111.032	RELAY FINDER
68	4031.541	TRANSFORMER
69	4110.490	H.T. CABLE
70	4160.421	M4 SCREW
71	4111.081	COUPLING SIMEL
72	4033.122	PUMP DANFOSS
73	4161.501	NUT FOR BICONE 1/8
74	4033.198	CONNECTION 90° 1/8
75	4033.186	OIL SUPPLY PIPE
76	4033.087	POWER CORD PUMP
77	4110.970	PHOTOCELL CONN. CABLE
78	4110.966	PHOTOCELL
79	4111.076	PHOTOCELL BLOCK BRACKET
80	4033.059	BURNER FLANGE
81	4111.143	NOZZLE 2,00 GPH 80°H
82	4033.071	TURBO DISC
83	4032.454	M6 NUT
84	4032.453	AIR REGULATION FLAP
85	4031.045	FAN THERMOSTAT
86	4031.047	LIMIT THERMOSTAT
87	4111.826	ELECTRODE



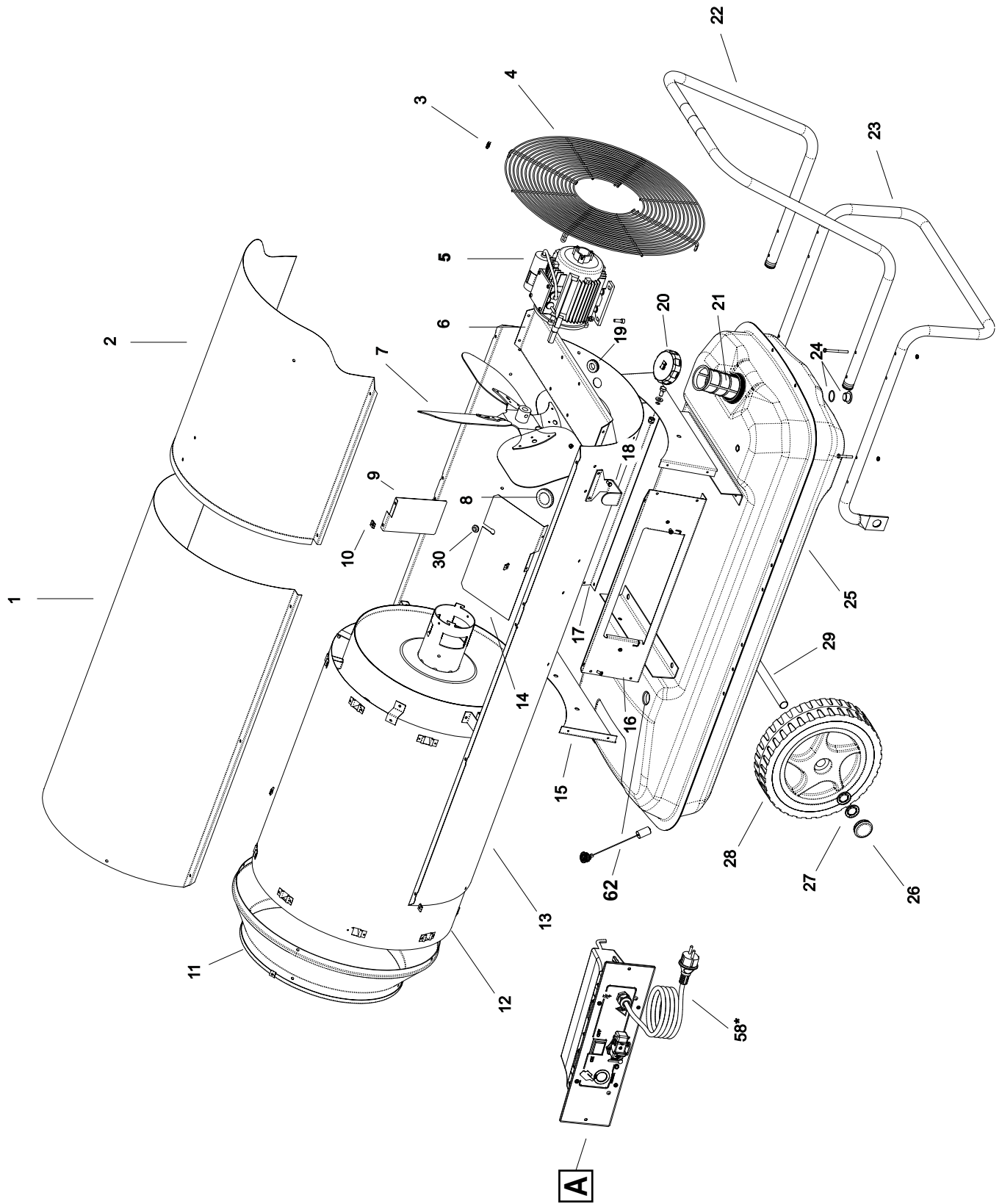
# B 360 MODEL 2013

UNIT 1

ILLUSTRATED PARTS BREAKDOWN

From Serial Number: 09233000649

Edizione 2013  
Rev. A

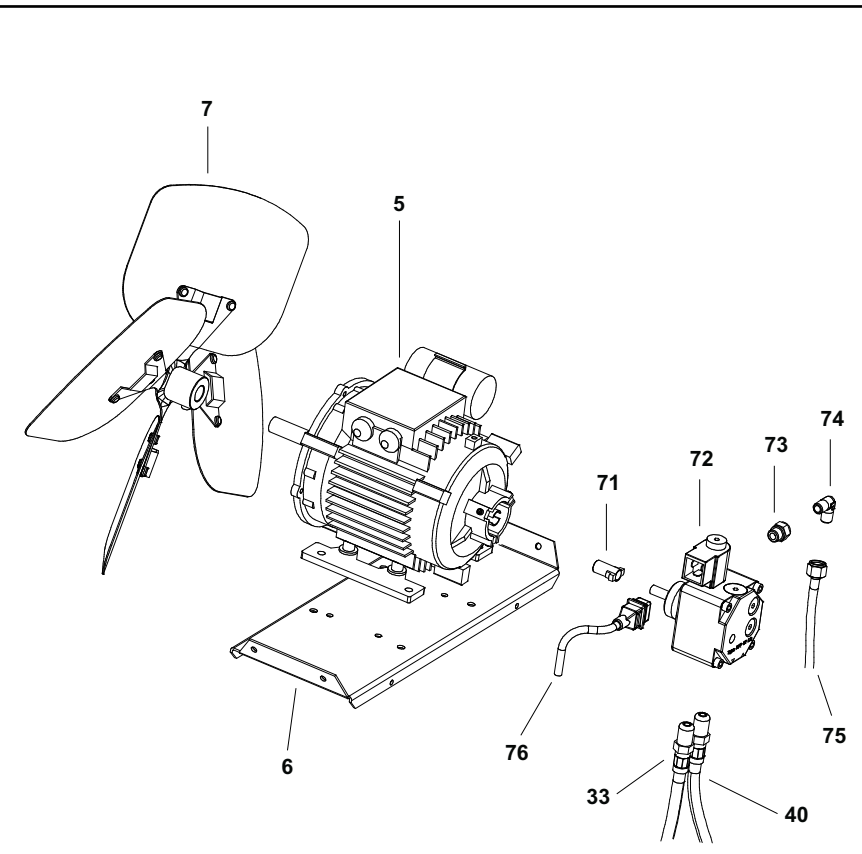
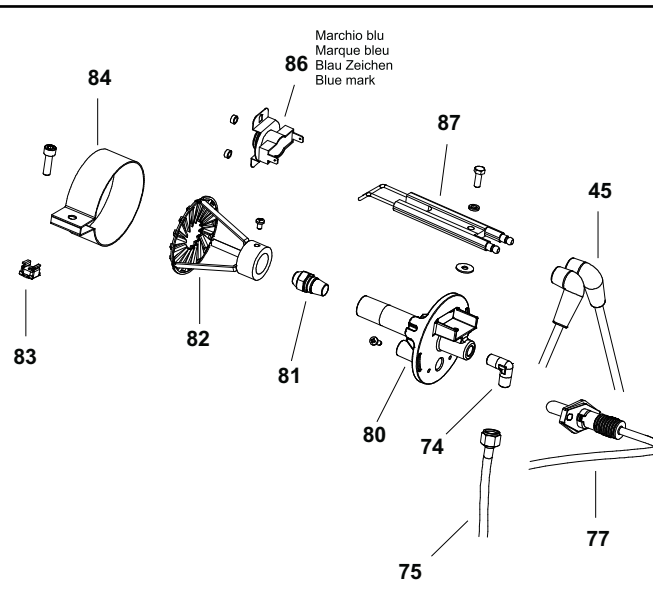
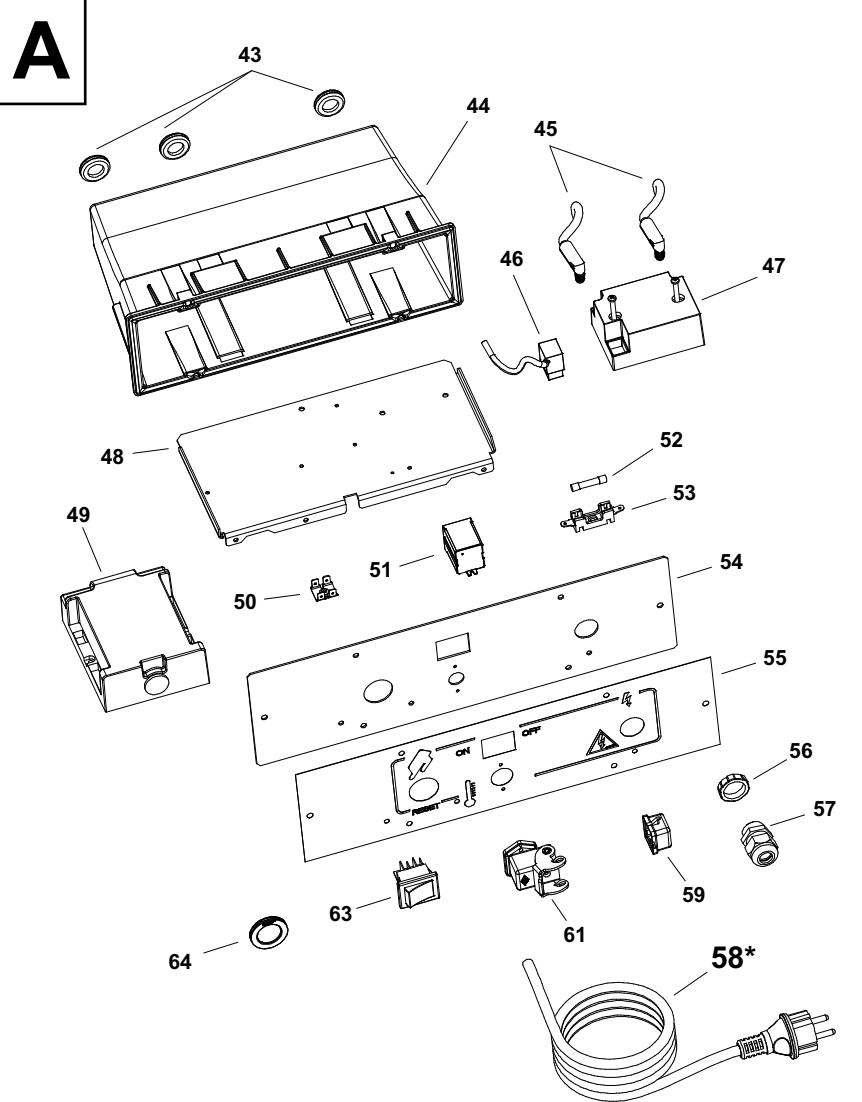
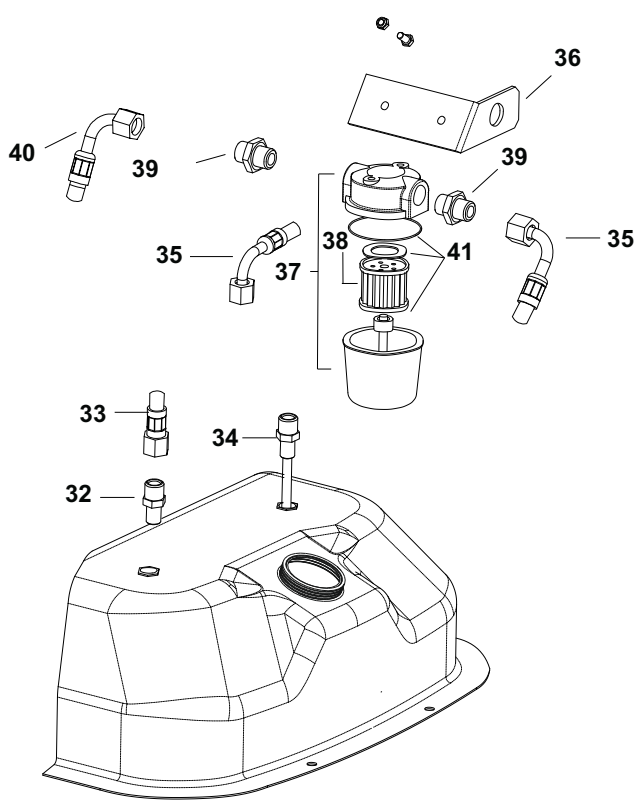


# B 360 MODEL 2013

UNIT 2

ILLUSTRATED PARTS BREAKDOWN

**A**



Marchio blu  
Marque bleu  
Blau Zeichen  
Blue mark

<b>Pos.</b>	<b>Code NR</b>	<b>Description</b>
1	4111.604	UPPER BODY
2	4033.263	UPPER BODY MOBILE
3	4111.241	ELASTIC PLATE Ø 4,2
4	4032.465	INLET GRILL
5	4032.431	MOTOR
6	4032.463	MOTOR FLANGE SUPPORT
7	4032.430	FAN
8	4111.056	PROTECTION CABLE
9	4032.518	CENTRAL AIR FLAP
10	4104.170	CLIP NUT
11	4033.223	OUTLET CONE
12	4033.197	COMBUSTION CHAMBER
13	4033.264	LOWER BODY
14	4111.610	AIR FLAP
15	4032.470	BASE
16	4032.466	ELECTR. COMPONENTS DRAWER PANEL
17	4032.468	SIDE PANEL
18	4032.536	POWER CORD HOOK
19	4160.646	PROTECTION CABLE
20	4260.100	TANK CAP
21	4290.083	TANK FILTER
22	4032.480	HANDLE FRAME
23	4032.476	FOOT FRAME
24	4100.632	DRAIG PLUG
25	4033.243	FUEL TANK
26	4111.480	WHEEL PLUG
27	4111.072	WHEEL PLUG Ø 20
28	4110.978	WHEEL
29	4032.478	AXLE
30	4101.151	PROTECTION CABLE
32	4031.068	CONN. STRAIGHT 1/4"
33	4031.062	FUEL PIPE PUMP-TANK
34	4031.067	PIPE CONNECTION 1/4"
35	4031.063	FUEL PIPE TANK-FILTER
36	4032.437	FILTER SUPPORT
37	4031.070	FILTER WITH CARTIDGE 3/8"
38	4031.015	FILTER CARTIDGE
39	4031.064	DOUBLE SCREW
40	4031.061	FUEL PIPE FILTER-PUMP

<b>Pos.</b>	<b>Code NR</b>	<b>Description</b>
41	4111.116	OR KIT FILTER
43	4162.500	PROTECTION CABLE
44	4033.257	PLASTIX BOX
45	4110.490	HT CABLE
46	4033.256	TRANSFORMER POWER CORD
47	4031.541	TRANSFORMER
48	4033.249	CONTROL BASE
49	4033.250	CONTROL BOX
50	4160.639	POP RIVET 4 WAY
51	4111.032	RELAY
52	4111.040	FUSE
53	4033.301	FUSE HOLDER
54	4033.248	FRONTAL CONTROLS PANEL
55	4033.254	PANEL LABEL
56	4100.656	LOCKNUT
57	4150.528	STRAIN RELIEF BUSHING
58	4033.253	POWER CORD SCHUKO
58-A	4033.252	POWER CORD NEW ZEALAND
58-B	4033.302	POWER CORD UK
59	4162.467	CAP FOR THERMOSTAT SOCKET
61	4111.119	THERMOSTAT SOCKET
62	4260.105	FUEL GAUGE
63	4165.204	ROCKER SWITCH
64	4033.251	BOARD BUTTON CAP
71	4111.081	COUPLING
72	4033.122	PUMP
73	4161.501	CONN. STRAIGHT 1/8"
74	4033.198	ELBOW 1/8"
75	4033.186	OIL SUPPLY PIPE
76	4033.087	PUMP POWER CORD
77	4033.246	PHOTOCELL
80	4033.059	BURNER FLANGE
81	4111.143	NOZZLE
82	4033.071	TURBO DISC
83	4032.454	M6 NUT
84	4032.453	AIR REGULATION FLAP
86	4031.047	LIMIT THERMOSTAT
87	4111.826	ELECTRODE

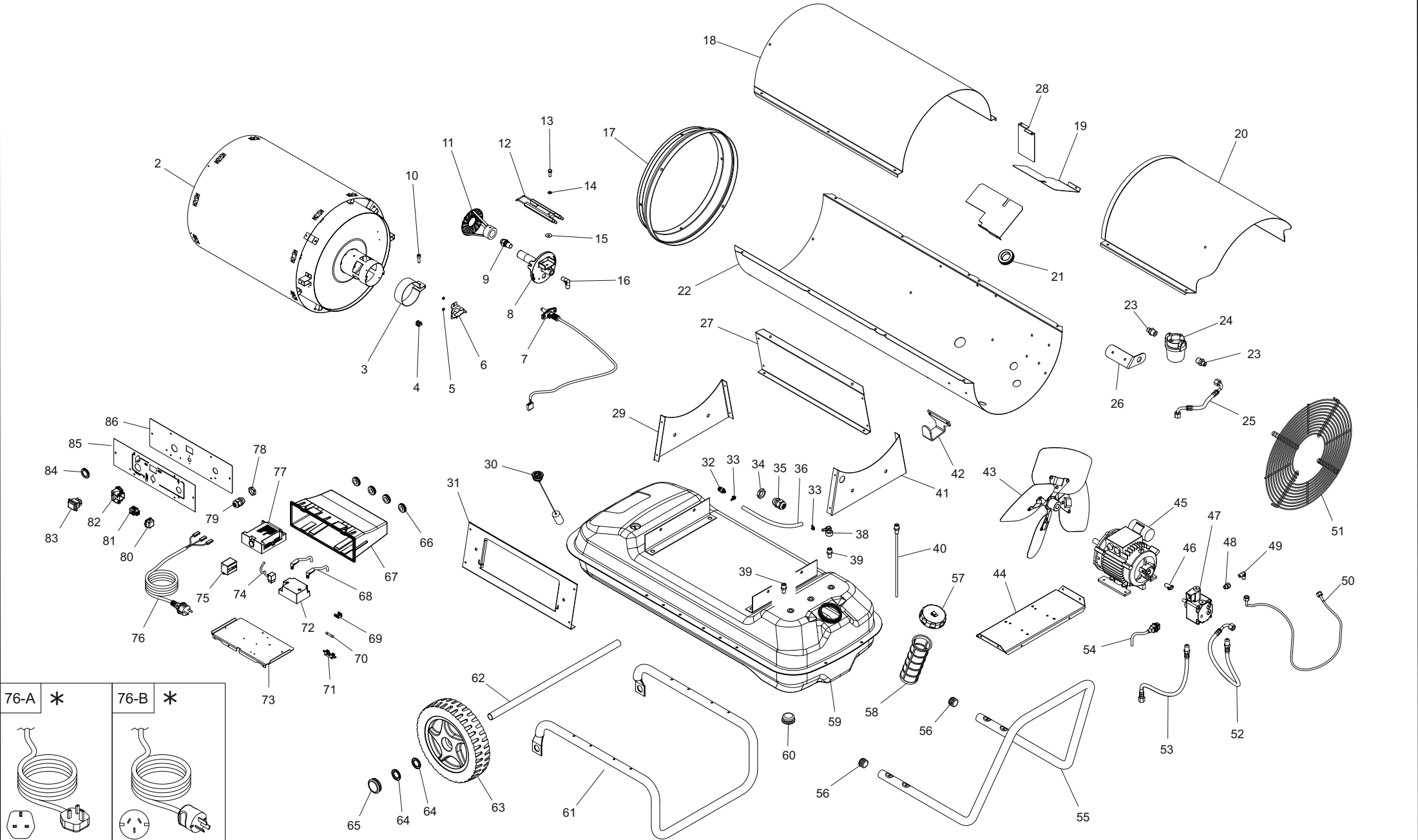
# MODEL B360

## UNIT 1

## ILLUSTRATED PARTS BREAKDOWN

From Serial Number: 11837000170

Rev.H - Jan. 2017



76-A *	76-B *
POWER CORD UK (type G)	POWER CORD NEW ZL (type I)

<b>Pos.</b>	<b>Code NR</b>	<b>Description</b>
2	4033.197	COMBUSTION CHAMBER
3	4032.453	AIR DAMPER
4	4032.454	CAGE NUT
5	4032.692	SPACER
6	4031.047	SAFETY THERMOSTAT
7	4033.246	PHOTOCELL SENSOR
8	4033.059	BURNER HEAD
9	4111.143	NOZZLE
10	4032.455	SCREW
11	4033.071	BURNER HEAD DIFFUSER
12	4111.826	BIFILAR ELECTRODES
13	4110.363	SCREW
14	4110.393	ELASTIC WASHER
15	4110.394	FIBER WASHER
16	4033.198	90° FUEL CONNECTION
17	4033.223	OUTLET CONE
18	4111.604	UPPER SHELL
19	4032.462	AIR DEFLECTOR
20	4033.263	UPPER SHELL - MOBILE
21	4111.056	GASKET
22	4033.264	LOWER SHELL
23	4034.378	STRAIGHT FUEL CONNECTION
24	4031.070	FUEL FILTER
24A	4111.116	OR FILTER KIT
24B	4031.015	FILTER CARTRIDGE
24C	4031.180	FILTER HOUSING
25	4031.063	FUEL PIPE - FILTER TANK
26	4032.437	FILTER BRACKET
27	4032.468	LATERAL PANEL
28	4032.518	UPPER AIR DEFLECTOR
29	4032.470	FRONT PANEL
30	4260.105	FUEL GAUGE
31	4032.466	LATERAL CONTROL PANEL
32	4260.246	BREATH VALVE
33	4100.810	CLIP
34	4100.656	NUT
35	4150.528	STRAIN RELIEF
36	4100.187	RUBBER PIPE
38	4100.192	90° AIR CONNECTION
39	4031.068	STRAIGH CONNECTION
40	4031.067	SUCTION PIPE
41	4034.298	REAR PANEL
42	4032.536	POWER CORD BRACKET
43	4032.430	FAN
44	4032.463	MOTOR SUPPORT
45	4032.431	MOTOR
46	4111.081	MOTOR PUMP COUPLING

<b>Pos.</b>	<b>Code NR</b>	<b>Description</b>
47	4033.122	FUEL PUMP
48	4161.501	STRAIGHT FUEL CONNECTION
49	4033.198	90° FUEL CONNECTION
50	4033.186	FUEL FLEXIBLE PIPE
51	4032.465	GRILLE
52	4031.061	FUEL PIPE - PUMP-FILTER
53	4031.062	FUEL PIPE - PUMP-TANK
54	4033.311	PUMP VALVE POWER CORD
55	4032.480	HANDLE
56	4111.057	HANDLE CAP
57	4034.283	TANK CAP
58	4290.213	TANK FILTER
59	4034.295	TANK
60	4100.632	TANK DRAIN CAP
61	4032.476	WHEELS SUPPORT
62	4032.478	WHEELS AXLE
63	4110.978	WHEEL
64	4111.072	BLOCK WASHER
65	4111.480	WHEEL CAP
66	4160.646	GASKET
67	4033.257	PLASTIC BOX
68	4110.490	HIGH TENSION WIRE
69	4160.639	GROUND FASTON
70	4111.040	FUSE
71	4033.301	FUSE HOLDER
72	4031.541	HIGH TENSION TRANSFORMER
73	4033.249	CONTROL PANEL BASE
74	4033.256	HIGH TENSION TRANSFORMER POWER CORD
75	4111.032	RELAY
76	4033.253	POWER CORD SCHUKO
76A	4033.302	POWER CORD UK
76B	4033.252	POWER CORD NEW ZEALAND
77	4033.250	PC-BOARD
78	4100.656	NUT
79	4150.528	STRAIN RELIEF
80	4162.467	THERMOSTAT CAP
81	4161.400	THERMOSTAT PLUG
82	4111.119	THERMOSTAT SOCKET
83	4165.204	SWITCH
84	4033.251	PC-BOARD CAP
85	4033.254	CONTROL PANEL LABEL
86	4033.248	CONTROL PANEL

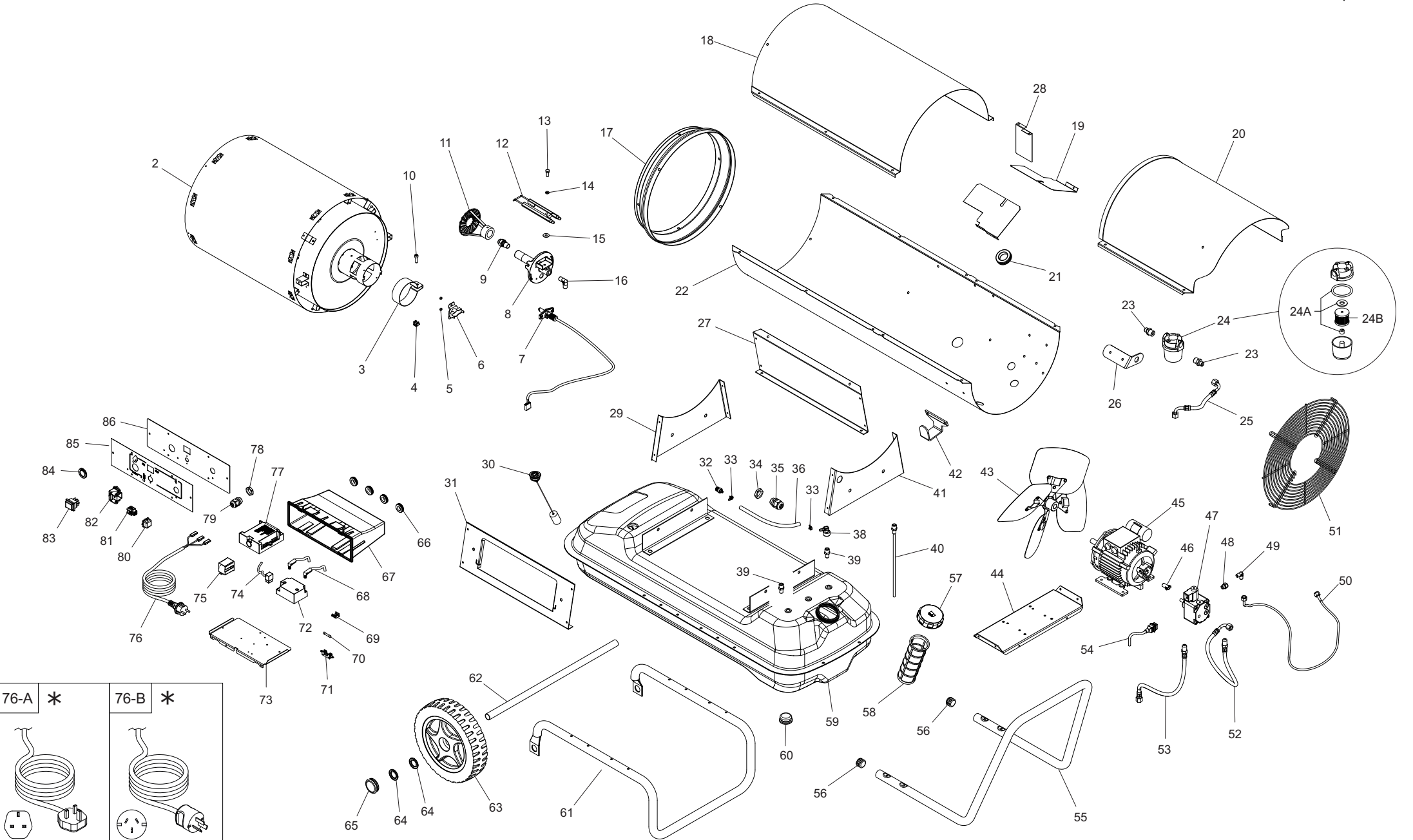
# MODEL B 360

## UNIT 1

## ILLUSTRATED PARTS BREAKDOWN

From Serial Number: 1184200001

Rev.I - Apr. 2022



76-A *	76-B *
POWER CORD UK (type G)	POWER CORD NEW ZL (type I)



<b>Pos.</b>	<b>Code NR</b>	<b>Description</b>
2	4033.197	COMBUSTION CHAMBER
3	4032.453	AIR DAMPER
4	4032.454	CAGE NUT
5	4032.692	SPACER
6	4031.047	SAFETY THERMOSTAT
7	4033.246	PHOTOCELL SENSOR
8	4033.059	BURNER HEAD
9	4111.143	NOZZLE
10	4032.455	SCREW
11	4033.071	BURNER HEAD DIFFUSER
12	4111.826	BIFILAR ELECTRODES
13	4110.363	SCREW
14	4110.393	ELASTIC WASHER
15	4110.394	FIBER WASHER
16	4033.198	90° FUEL CONNECTION
17	4033.223	OUTLET CONE
18	4111.604	UPPER SHELL
19	4032.462	AIR DEFLECTOR
20	4033.263	UPPER SHELL - MOBILE
21	4111.056	GASKET
22	4035.427	LOWER SHELL
23	4034.378	STRAIGHT FUEL CONNECTION
24	4031.070	FUEL FILTER
24A	4111.116	OR FILTER KIT
24B	4031.015	FILTER CARTRIDGE
24C	4031.180	FILTER HOUSING
25	4035.846	FUEL PIPE - FILTER TANK - BIFUEL
26	4032.437	FILTER BRACKET
27	4032.468	LATERAL PANEL
28	4032.518	UPPER AIR DEFLECTOR
29	4032.470	FRONT PANEL
30	4260.105	FUEL GAUGE
31	4032.466	LATERAL CONTROL PANEL
32	4260.246	BREATH VALVE
33	4100.810	CLIP
34	4100.656	NUT
35	4150.528	STRAIN RELIEF
36	4100.187	RUBBER PIPE
38	4100.192	90° AIR CONNECTION
39	4031.068	STRAIGH CONNECTION
40	4031.067	SUCTION PIPE
41	4034.298	REAR PANEL
42	4032.536	POWER CORD BRACKET
43	4032.430	FAN
44	4032.463	MOTOR SUPPORT
45	4032.431	MOTOR
46	4111.081	MOTOR PUMP COUPLING

---

<b>Pos.</b>	<b>Code NR</b>	<b>Description</b>
47	4033.122	FUEL PUMP
48	4161.501	STRAIGHT FUEL CONNECTION
49	4033.198	90° FUEL CONNECTION
50	4033.186	FUEL FLEXIBLE PIPE
51	4032.465	GRILLE
52	4035.844	FUEL PIPE - PUMP-FILTER - BIFUEL
53	4035.845	FUEL PIPE - PUMP-TANK - BIFUEL
54	4033.311	PUMP VALVE POWER CORD
55	4032.480	HANDLE
56	4111.057	HANDLE CAP
57	4034.283	TANK CAP
58	4290.213	TANK FILTER
59	4034.295	TANK
60	4100.632	TANK DRAIN CAP
61	4032.476	WHEELS SUPPORT
62	4032.478	WHEELS AXLE
63	4110.978	WHEEL
64	4111.072	BLOCK WASHER
65	4111.480	WHEEL CAP
66	4160.646	GASKET
67	4033.257	PLASTIC BOX
68	4110.490	HIGH TENSION WIRE
69	4160.639	GROUND FASTON
70	4111.040	FUSE
71	4033.301	FUSE HOLDER
72	4031.541	HIGH TENSION TRANSFORMER
73	4033.249	CONTROL PANEL BASE
74	4033.256	HIGH TENSION TRANSFORMER POWER CORD
75	4111.032	RELAY
76	4033.253	POWER CORD SCHUKO
76A	4033.302	POWER CORD UK
76B	4033.252	POWER CORD NEW ZEALAND
77	4033.250	PC-BOARD
78	4100.656	NUT
79	4150.528	STRAIN RELIEF
80	4162.467	THERMOSTAT CAP
81	4161.400	THERMOSTAT PLUG
82	4111.119	THERMOSTAT SOCKET
83	4165.204	SWITCH
84	4033.251	PC-BOARD CAP
85	4033.254	CONTROL PANEL LABEL
86	4033.248	CONTROL PANEL