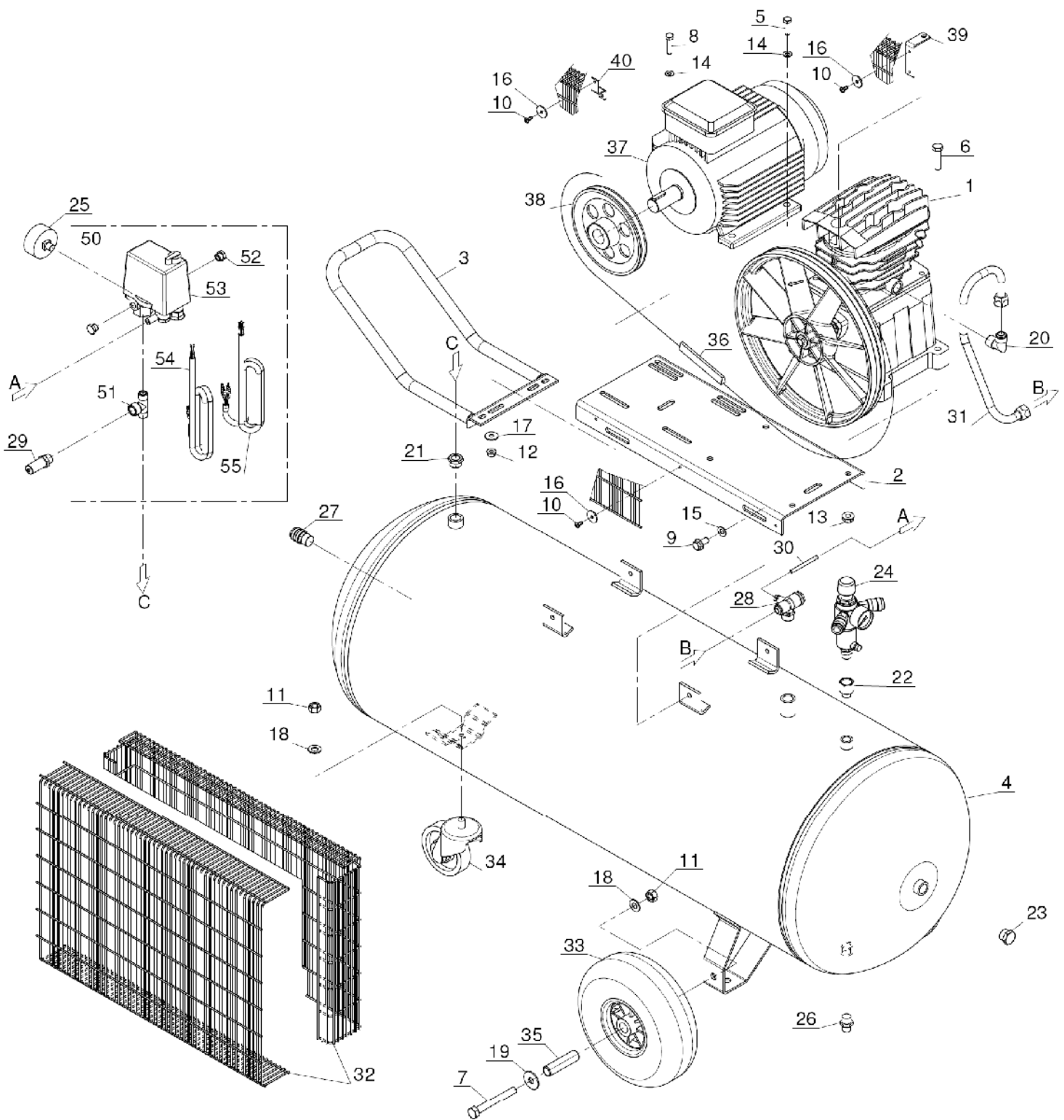


AB 200-510 TC



AB 200-510 TC



Code	Description	Quantity	Callout
3020401000	Pump unit	1	1
7012090000	Screw	5	10
7020100000	Nut	3	11
7020240000	Nut	4	12
7020250000	Nut	4	13
7030030000	Washer	4	14
7030040000	Washer	4	15
7030050000	Washer	5	16
7030120000	Washer	4	17
7030140000	Washer	3	18
7030200000	Washer	2	19
5010940008	Base	1	2
7080160000	Joint	1	20
7085020000	Joint	1	21
7085460000	Joint	1	22
7090030000	Plug	1	23
7100560000	Pressure reducer	1	24
7110060000	Pressure gauge	1	25
7130160000	Discharge tap	1	26
7130600000	Universal Tap	1	27
7190190000	Non return valve	1	28
7192090000	Safety valve	1	29
5140090008	Handle	1	3
7230010000	Rilsan hose	0,9	30
7235230000	Infeed hose	1	31
4170130000	Belt guard kit	1	32
7260070000	Wheel	2	33
7260110000	Pivot	1	34
7330010000	Wheel spacer	2	35
7370510000	Belt	1	36
7380840000	Three phase Motor	1	37
7408580000	Pulley	1	38
7458150000	Belt guard suport	1	39
5159170008	Tank	1	4
7458940000	Belt guard suport	1	40
7011110000	Screw	2	5
4051670000	Press. Switch kit	1	50
7082690000	Joint	1	51
7090070000	Plug	2	52
7250490000	Pressure switch	1	53
7328690000	Pres.switch/Motor cable	1	54
7328700000	Infeed cable	1	55
7011120000	Screw	4	6
7011230000	Screw	2	7
7011350000	Screw	2	8
7011410000	Screw	4	9