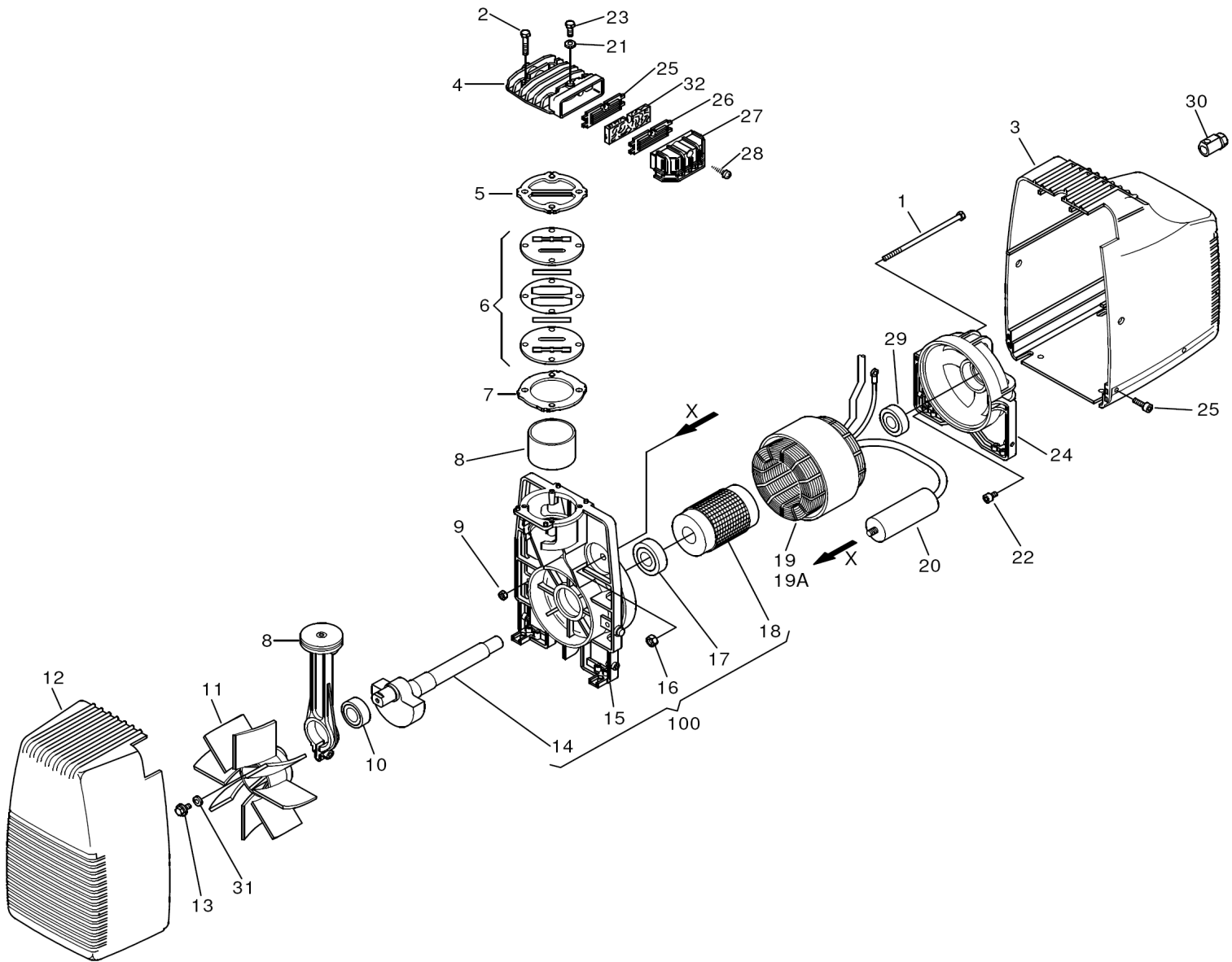


POMPA F114



POMPA F114



Code	Description	Quantity	Callout
7018010000	Tension rod	2	1
7011290000	Screw	4	2
7150580000	Motor housing	1	3
7570550000	Head	1	4
4200030000	Valve plate	1	6
4190270000	Con rod/Piston/Cilinder Kit	1	8
7021010000	Selflocking nut	2	9
7060550000	Bearing	1	10
7200140000	Fan	1	11
7150590000	Compressor housing	1	12
7011040000	Screw	1	13
5040700008	Crankshaft	1	14
7670040000	Carter	1	15
7020070000	Nut for capacitor	1	16
7060280000	Bearing	1	17
5090330008	Rotor	1	18
4011710000	Wound stator V230/50-1	1	19
7310100000	Capacitor 20 ?f	1	20
7030780000	Washer	1	21
7013060000	Screw	1	22
7014300000	Screw	1	23
7640100000	Cover	1	24
7458340000	Filter plate	1	25
7458680000	Sound proofing plate	1	26
7210450000	Cover	1	27
7012010000	Screw	1	28
7060010000	Bearing	1	29
7501050000	Strech eliminator	1	30
7030190000	Washer	1	31
7210010000	Intake filter	1	32
4082630000	Set of monoplate and gasket	1	100
4280510000	Carter/Shaft/Rotor group	1	101
4082610000	Set of gaskets (REF. 5-7)	1	102