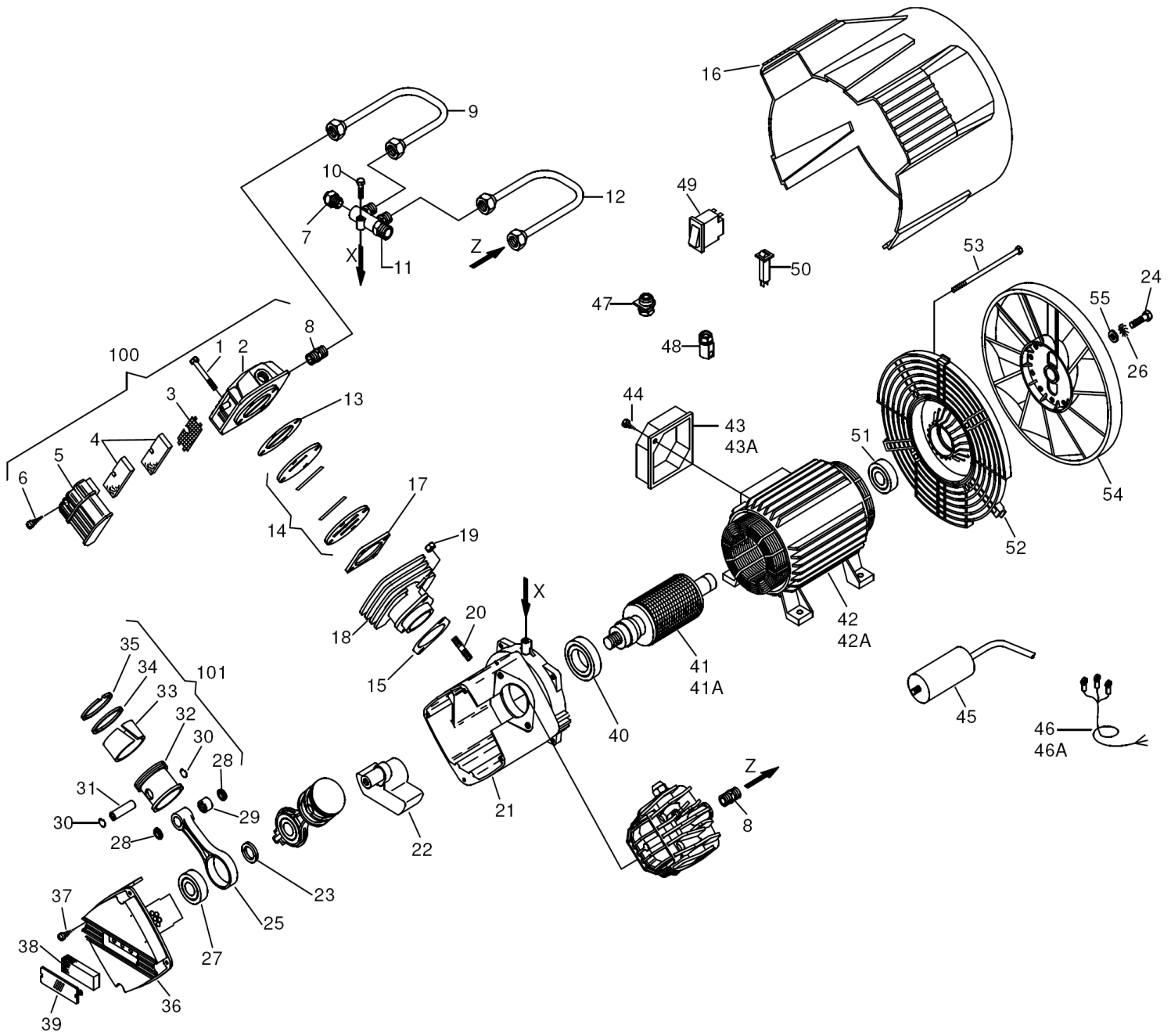


# POMPA VS254 E



# POMPA VS254 E



| Code       | Description                     | Quantity | Callout |
|------------|---------------------------------|----------|---------|
| 7011220000 | Screw                           | 8        | 1       |
| 7570090000 | Head                            | 2        | 2       |
| 7458340000 | Filter plate                    | 2        | 3       |
| 7210010000 | Filtering element               | 2        | 4       |
| 7210180000 | Intake filter                   | 2        | 5       |
| 7012100000 | Screw                           | 2        | 6       |
| 7196020000 | START valve single phase        | 1        | 7       |
| 7090070000 | Plug three phase                | 1        | 7A      |
| 7081100000 | Joint                           | 2        | 8       |
| 7237020000 | Tube sx.                        | 1        | 9       |
| 7010120000 | Screw                           | 1        | 10      |
| 7089950000 | Manifold                        | 1        | 11      |
| 7237010000 | Tube dx.                        | 1        | 12      |
| 7078580000 | Head gasket                     | 2        | 13      |
| 7459510000 | Valve plate unit                | 2        | 14      |
| 7078570000 | Cylinder/motor gasket           | 2        | 15      |
| 7062880000 | Spacer                          | 2        | 16      |
| 7078160000 | Cylinder/Valve plate gaskets    | 2        | 17      |
| 7575350000 | Cylinder                        | 2        | 18      |
| 7020070000 | Nut                             | 4        | 19      |
| 7015480000 | Stud bolt                       | 4        | 20      |
| 5070180008 | Carter                          | 1        | 21      |
| 5040980008 | Crank lever                     | 1        | 22      |
| 7031190000 | Ring                            | 1        | 23      |
| 7011090000 | Screw                           | 1        | 24      |
| 7031010000 | Washer                          | 1        | 26      |
| 7060140000 | Bearing                         | 2        | 27      |
| 7041010000 | Ring                            | 4        | 30      |
| 7050050000 | Piston pin                      | 2        | 31      |
| 7220300000 | Piston                          | 2        | 32      |
| 7650010000 | Carter cover                    | 1        | 36      |
| 7012180000 | Screw                           | 5        | 37      |
| 7181190000 | Plug                            | 1        | 38      |
| 7078440000 | Cover gasket                    | 1        | 39      |
| 7060050000 | Bearing                         | 1        | 40      |
| 4280780000 | Single phase rotor              | 1        | 41      |
| 4280790000 | Three phase rotor               | 1        | 41A     |
| 4013420000 | Motor V230-50/1                 | 1        | 42      |
| 4011340000 | Motor V400-50/3                 | 1        | 42A     |
| 7382130000 | Single phase cover              | 1        | 43      |
| 7382350000 | Three phase cover               | 1        | 43A     |
| 7012020000 | Screw                           | 2        | 44      |
| 7310380000 | Capacitor 40 µF                 | 1        | 45      |
| 7329900000 | Single phase cable              | 1        | 46      |
| 7329870000 | Three phase cable               | 1        | 46A     |
| 7501060000 | Stretch eliminator              | 1        | 47      |
| 7501050000 | Stretch eliminator              | 1        | 48      |
| 7410750000 | 1ph. thermal protection         | 1        | 49      |
| 7150370000 | Housing                         | 1        | 50      |
| 7060090000 | Bearing 6204 2RS                | 1        | 51      |
| 7640010000 | Cover                           | 1        | 52      |
| 7015100000 | Tension rod                     | 4        | 53      |
| 7200340000 | Fan                             | 1        | 54      |
| 7038020000 | Washer                          | 1        | 55      |
| 7090080000 | Plug                            | 2        | 56      |
| 7410460000 | 3ph. thermal protection         | 1        | 57      |
| 4020870000 | Head Unit                       | 2        | 100     |
| 4191140000 | Set Con rod/Piston              | 2        | 101     |
| 4190320000 | Con rod unit (REF. 25-28-29)    | 2        | 102     |
| 4080043000 | Piston ring kit (ref. 33-34-35) | 2        | 103     |