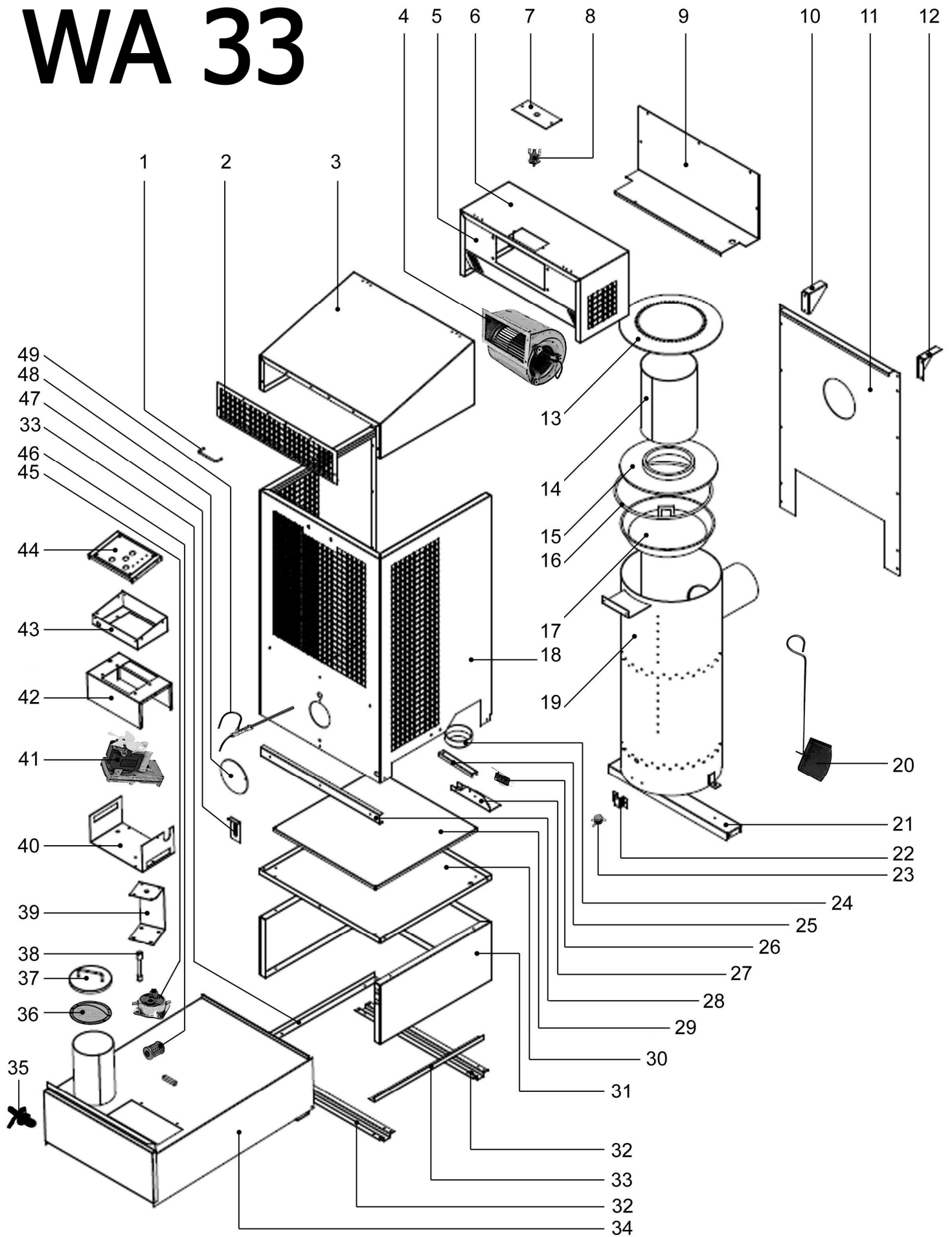


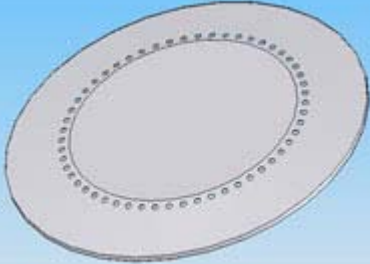
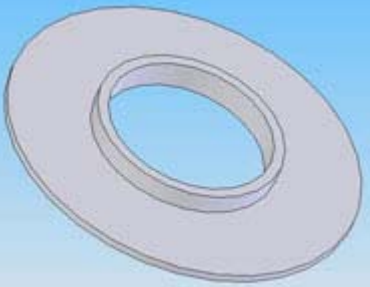



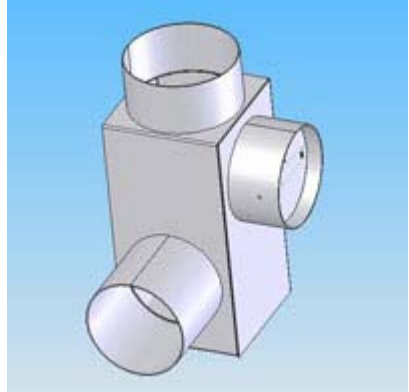
WA 33



Pos.	Code	Description	
1	4506.436	Handle	
2	4506.445	Insert	
3	4506.426	Cover	
4	4506.440	Fan	
5	4506.416	Top cover I	
6	4506.414	Top cover II	
7	4506.412	Cover plate	
8	4506.434	Bimetal thermostat	
9	4506.415	Back side of top cover	
10	4506.444	Left top bracket	
11	4506.433	Back side	
12	4506.443	Right top bracket	
13	4506.428	Cover of combustion chamber	
14	4506.432	Hot air tube	
15	4506.420	Cast iron ring	
16	4506.419	Wire ring	

Pos.	Code	Description	
17	4506.409	Furnace pan	
18	4506.418	Middle cover	
19	4506.406	Combustion chamber	
20	4506.407	Shovel	
21	4506.421	Combustion chamber base	
22	4506.425	Thermostat mount	
23	4506.435	Bimetal thermostat	
24	4506.410	Overflow pan	
25	4506.402	Channel bar I	
26	4506.408	Microswitch	
27	4506.442	Bracket I	
28	4506.401	Channel bar II	
29	4506.422	Base I	
30	4506.423	Base II	
31	4506.413	Down cover	
32	4506.437	Grip	
33	4506.405	Angle bar	
34	4506.448	Fuel tank	
35	4506.447	Drain valve	
36	4506.404	Fuel filter - preliminary	
37	4506.430	Fuel tank cap	

Pos.	Code	Description	
38	4506.439	Shaft	
39	4506.441	Bracket II	
40	4506.424	Motoreducer base	
41	4506.411	Motoreducer	
42	4506.427	Controller housing	
not shown	4506.450	Controller	
43	4506.417	Controller base	
44	4506.429	Controller cover	
45	4506.431	Fuel pump	
46	4506.403	Fuel filter - final	
47	4506.449	Bumper	
48	4506.446	Plug	

Pos.	Code	Description	
49	4506.438	Fuel system	
not shown	4506.451	Draught regulator	
not shown	4506.452	Drive kit (motoreducer+pump+controller)	