

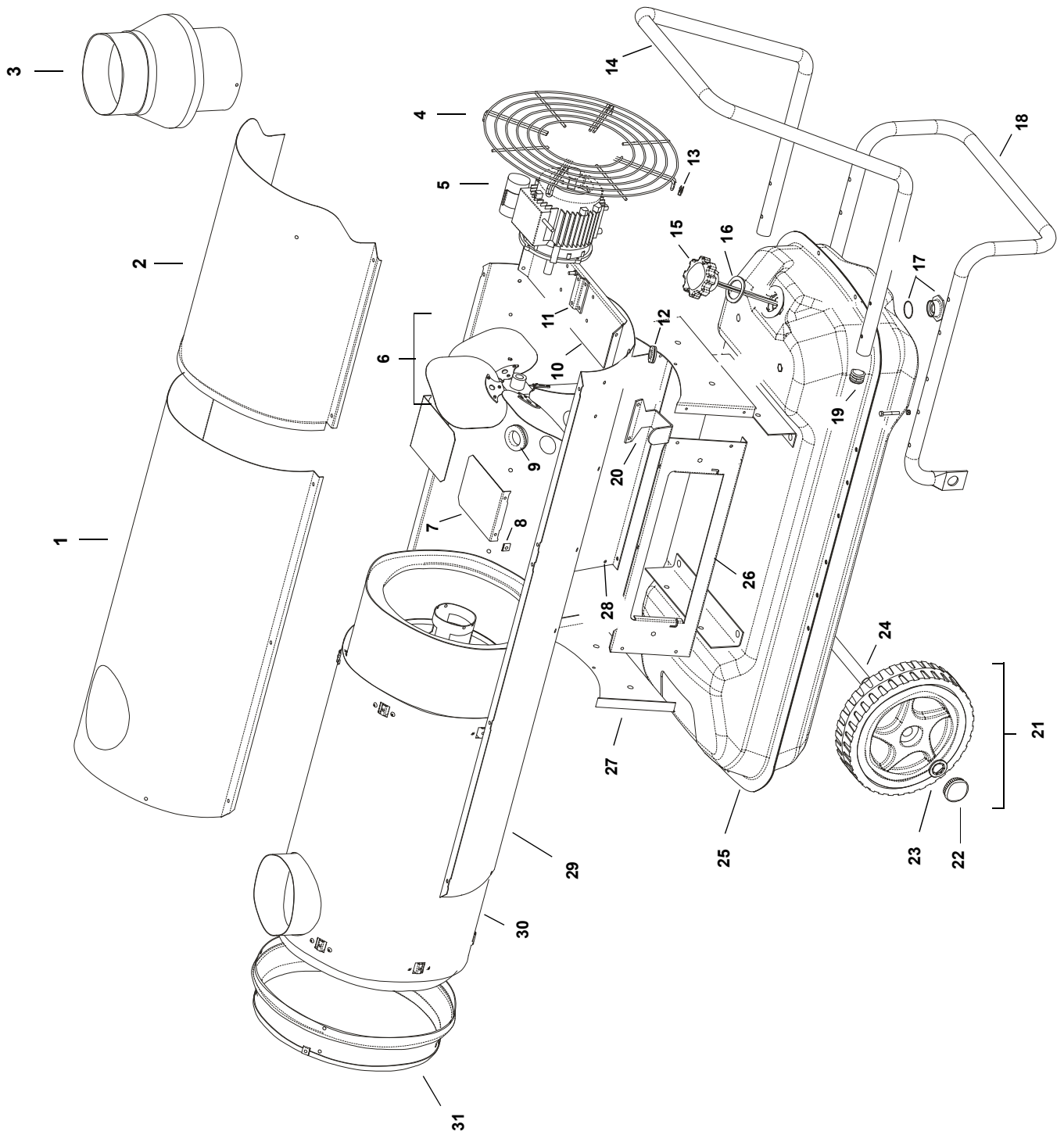
**MASTER**<sup>®</sup>  
CLIMATE SOLUTIONS



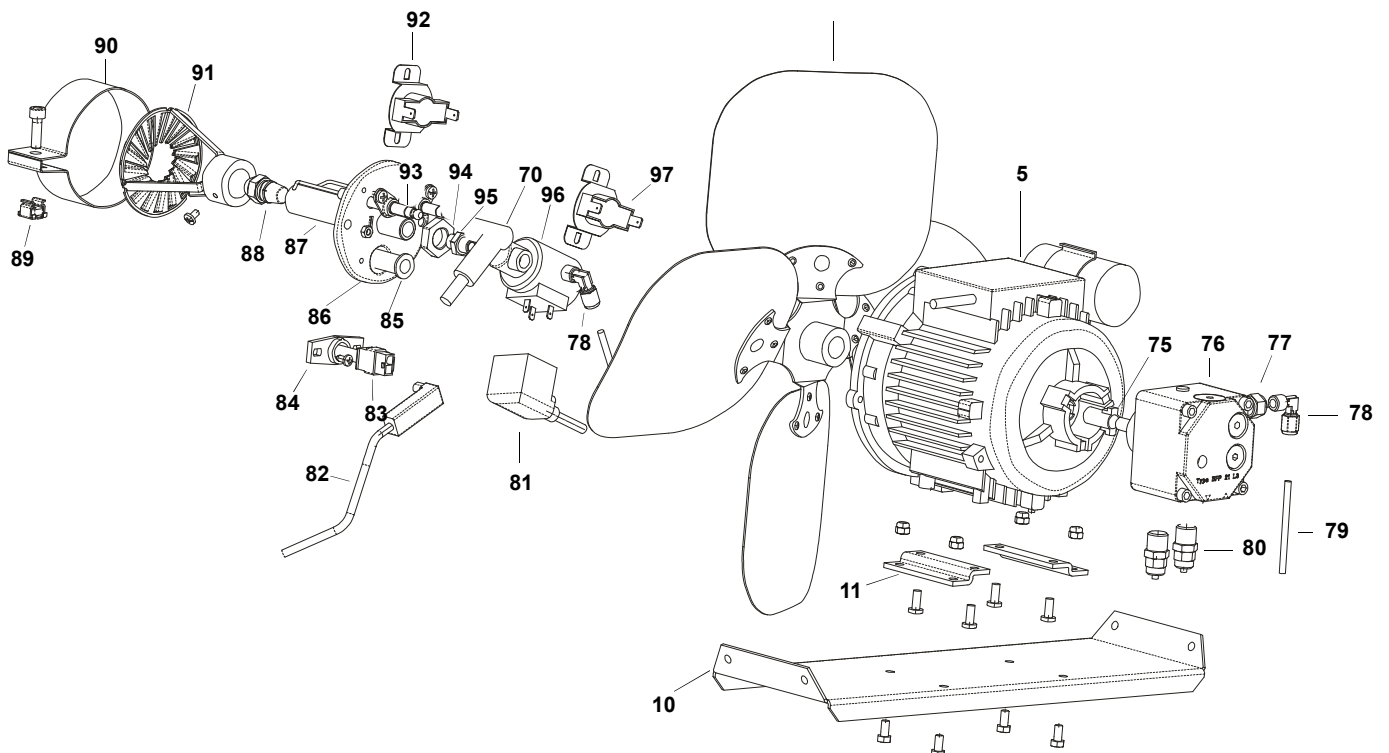
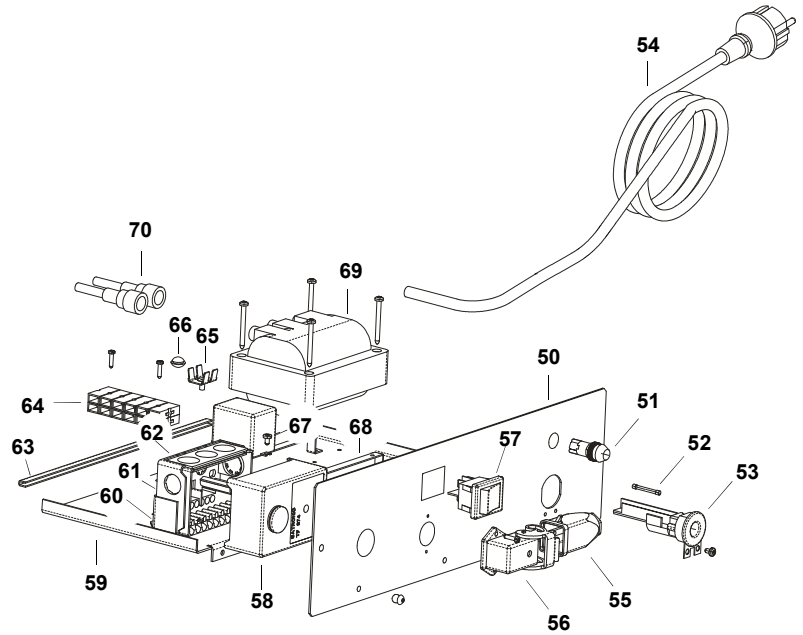
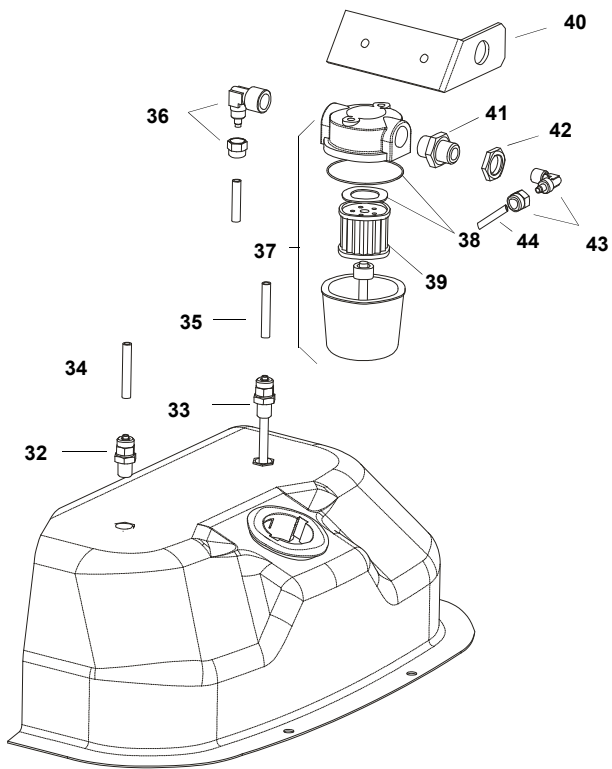
# MANUAL SERVICE

## BV170E

Model 2010	pag. 2
Model 2010, serie 30200331 →	pag. 6
Model 2011, serie 31201205 →	pag. 10
Model 2012, serie 32200523 →	pag. 14
Model 2013, serie 09233000649 →	pag. 18
Model 2017, serie 1123700286 →	pag. 22



Edizione 2010  
Rev. A

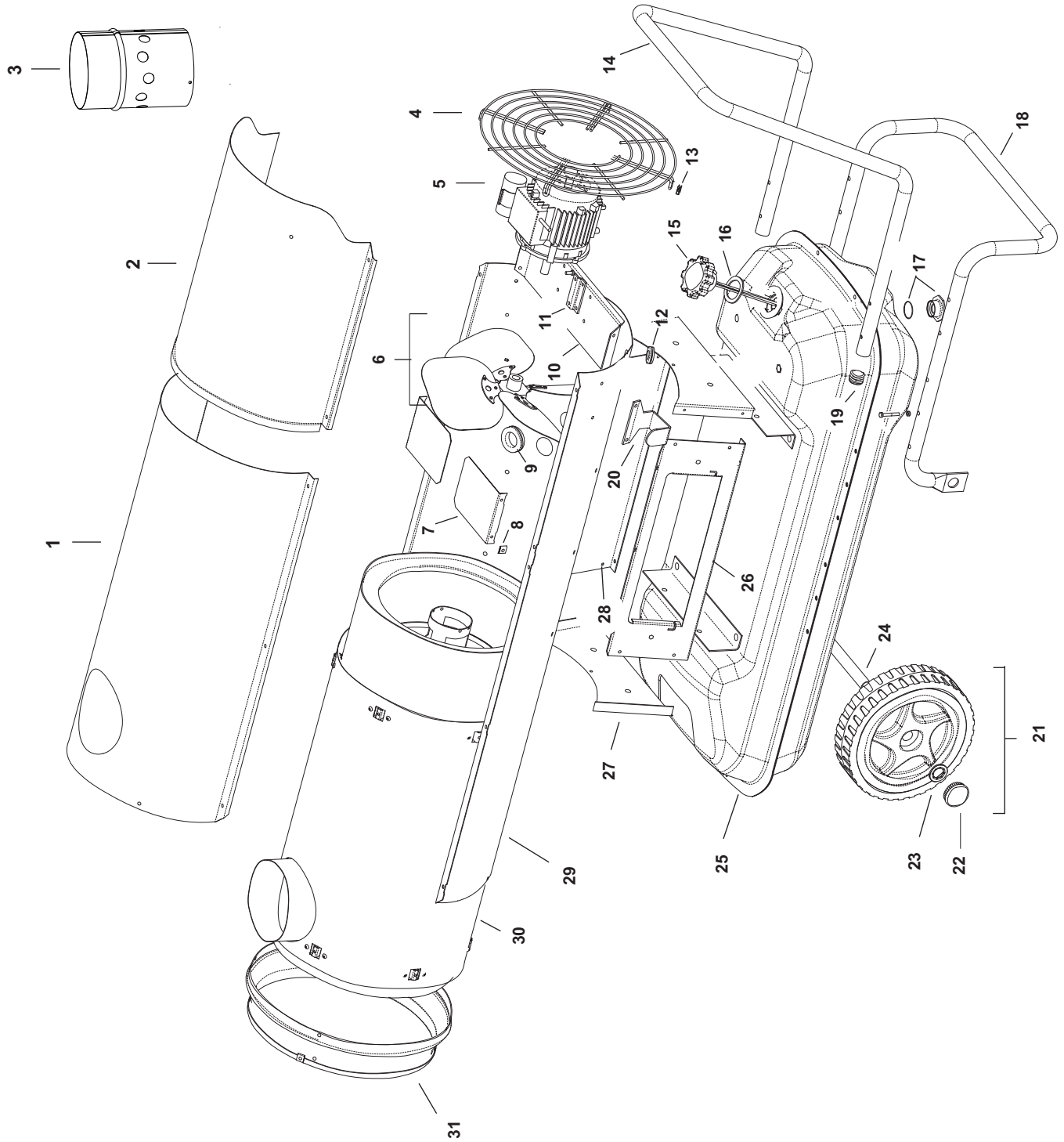


Pos.	Code NR	Description
1	4032.546	UPPER BODY
2	4032.548	UPPER BODY MOBILE
3	4032.534	CHIMNEY
4	4032.557	INLET GRILLE
5	4032.594	MOTOR 250W
6	4032.593	FAN
7	4032.554	AIR FLAP
8	4104.170	CLIP NUT
9	4111.056	PROTECTION CABLE
10	4032.555	MOTOR FLANGE SUPPORT
11	4032.519	MOTOR FLANGE
12	4160.646	PROTECTION CABLE
13	4111.241	ELASTIC PLATE
14	4032.568	HANDLE FRAME
15	4032.475	FUEL LEVEL PROBE
16	4032.537	TANK PLUG SEAL
17	4100.632	DRAIN PLUG
18	4032.564	FOOT FRAME
19	4111.057	PLUG
20	4032.536	POWER CORD HOOK
21	4032.094	WHEEL Ø 250
22	4111.480	WHEEL PLUG
23	4111.072	WHEEL HOLDER Ø 20
24	4032.566	AXLE
25	4034.290	FUEL TANK
26	4032.558	ELECTR. COMPONENTS DRAWER PANEL
27	4032.562	BASE
28	4032.560	SIDE PANEL
29	4032.550	LOWER BODY
30	4032.541	COMBUSTION CHAMBER
31	4032.544	OUTLET CONE
32	4032.488	CONN. STRAIGHT M10
33	4032.092	PIPE CONNECTION M10
34	4032.597	FUEL PIPE PUMP-TANK
35	4032.595	FUEL PIPE TANK-FILTER
36	4031.803	CONNECTION 90° 3/8"
37	4111.045	FILTER WITH CARTRIDGE 3/8"
38	4111.116	OR KIT FILTER
39	4031.015	FILTER CARTRIDGE
40	4032.437	FILTER SUPPORT
41	4031.802	DOUBLE SCREW
42	4031.800	CONN. STRAIGHT 3/8" MX5
43	4111.273	CONNECTION 90° 1/8"
44	4032.596	FUEL PIPE FILTER-PUMP
50	4032.446	ELECTR. COMPONENTS DRAWER
51	4117.058	PILOT LAMP 230V
52	4111.040	FUSE (6,3X32) 10 A

Pos.	Code NR	Description
53	4111.038	CABLE FASTENER
54	4111.153	POWER CORD
55	4111.118	THERMOSTAT PLUG
56	4111.119	PLATE PLUG
57	4160.637	SWITCH
58	4110.968	CONTROL BOX SATRONIC
59	4032.448	ELECTR. COMPONENTS BASE
60	4032.499	CONTROL BOX SUPPORT
61	4110.969	CONTROL BOX BASE
62	4110.967	SUPPORT PG PHOTOCELL
63	4110.155	EDGE LINER
64	4111.033	TERMINAL BOARD
65	4160.639	POP RIVET WITH TERMIN. 4 WAY
66	4032.450	PLASTIC PIN
67	4111.032	RELAY FINDER
68	4111.030	TRANSFORMER SUPPORT
69	4031.035	TRANSFORMER
70	4110.971	H.T. CABLE
75	4111.081	COUPLING SIMEL
76	4111.042	PUMP DANFOSS
77	4161.501	NUT FOR BICONE 1/8
78	4161.140	CONNECTION 90° 1/8"
79	4111.049	OIL SUPPLY PIPE
80	4031.160	CONN. STRAIGHT 1/4"
81	4032.110	POWER CORD SOLENOID SPOOL
82	4110.970	PHOTOCELL CONN. CABLE.
83	4110.966	PHOTOCELL
84	4111.076	PHOTOCELL BLOCK BRACKET
85	4032.406	PHOTOCELL SUPPORT
86	4032.574	BURNER FLANGE
87	4032.403	NOZZLE SUPPORT
88	4031.025	NOZZLE 1,00 GPH 80°
89	4032.454	NUT M6
90	4032.545	AIR REGULATOIN FLAP
91	4032.570	TURBO DISC
92	4031.045	FAN THERMOSTAT
93	4031.095	ELECTRODE
94	4032.407	CONN. STRAIGHT MX14X6
95	4160.968	CONN. STRAIGHT 1/8"
96	4102.535	SOLENOID SPOOL 230V/50HZ
97	4031.047	LIMIT THERMOSTAT

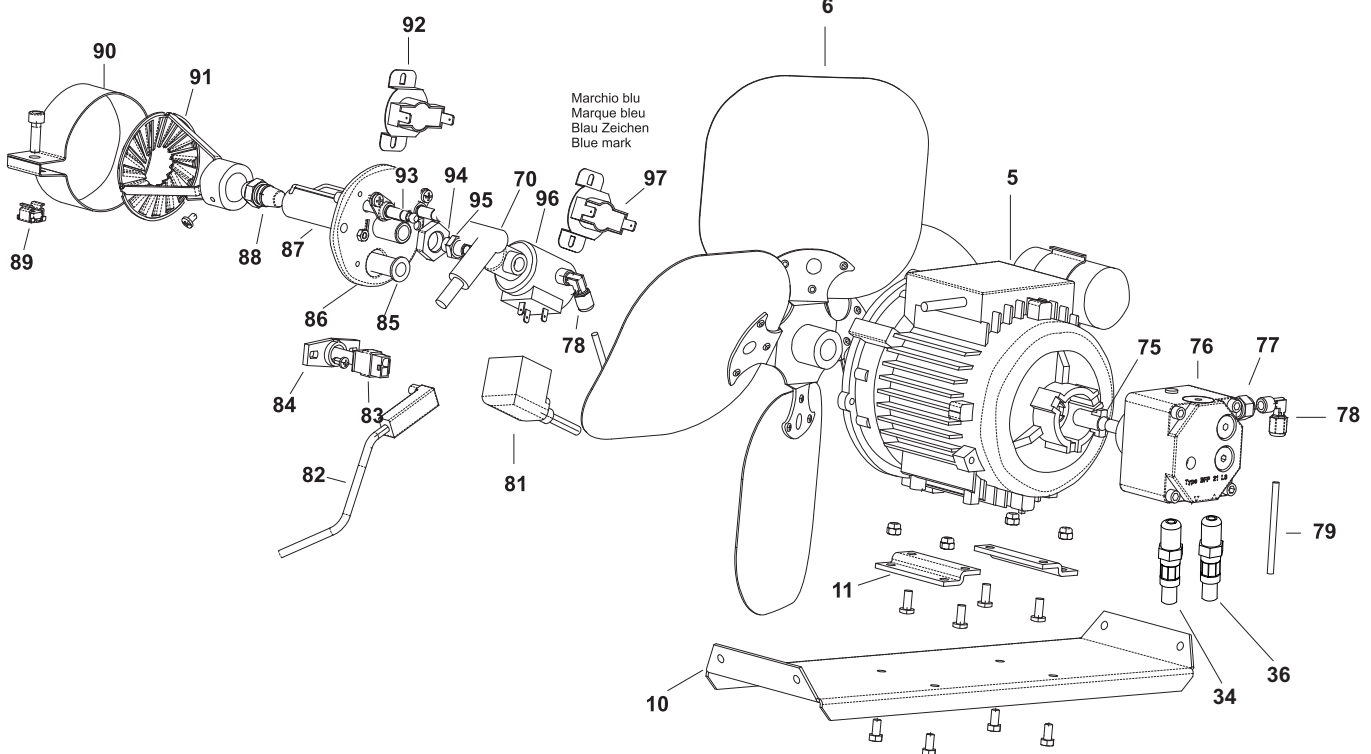
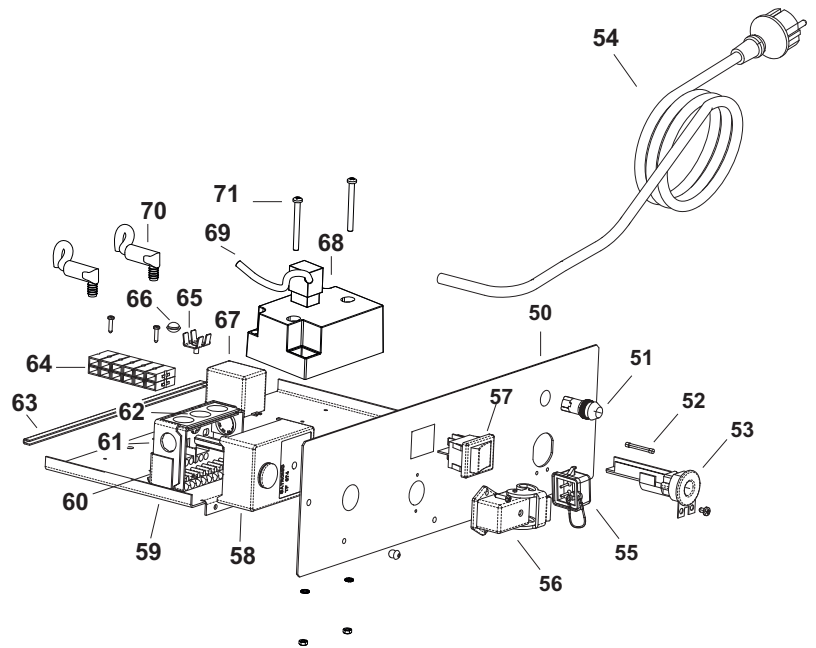
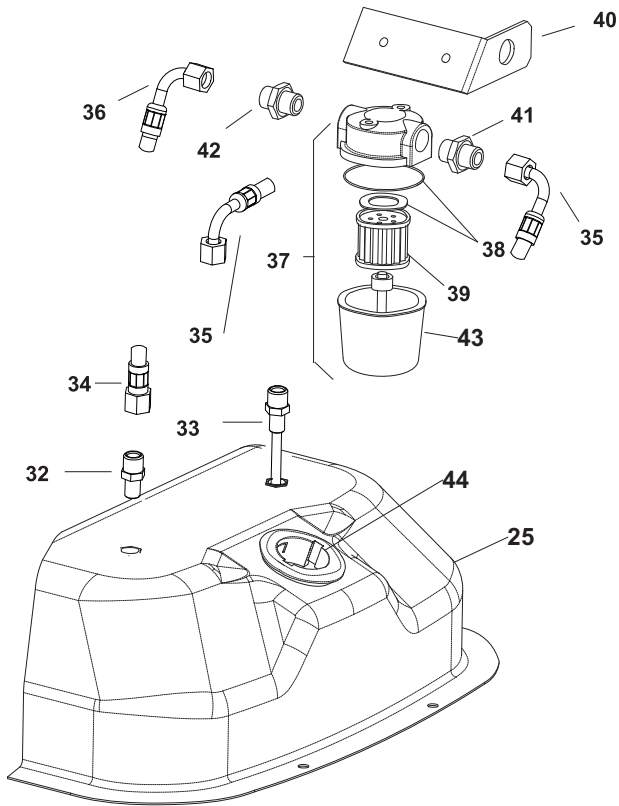
From Serial Number: 30200331

Edizione 2010  
Rev. A



From Serial Number: 30200331

Edizione 2010  
Rev. A



Pos.	Code NR	Description
1	4032.546	UPPER BODY
2	4032.548	UPPER BODY MOBILE
3	4032.534	CHIMNEY
4	4032.557	INLET GRILLE
5	4032.594	MOTOR 2P 230V/50 IP43
6	4032.593	FAN
7	4032.554	AIR FLAP
8	4104.170	CLIP NUT
9	4111.056	PROTECTION CLABLE
10	4032.555	MOTOR FLANGE
11	4032.519	MOTOR FLANGE SUPPORT
12	4160.646	PROTECTION CLABLE
13	4111.241	ELASTIC PLATE
14	4032.568	HANDLE FRAME
15	4032.475	FUEL LEVEL PROBE
16	4032.537	TANK PLUG SEAL
17	4100.632	DRAIN PLUG
18	4032.564	FOOT FRAME
19	4111.057	PLUG
20	4032.536	POWER CORD HOOK
21	4032.094	WHEEL
22	4111.480	WHEEL PLUG
23	4111.072	WHEEL HOLDER
24	4032.566	AXLE
25	4034.290	FUEL TANK
26	4032.558	ELECTR. COMPONENTS DRAWER PANEL
27	4032.562	BASE
28	4032.560	SIDE PANEL
29	4032.550	LOWER BODY
30	4032.541	COMBUSTION CHAMBER
31	4032.544	OUTLET CONE
32	4031.068	NIPPLES
33	4031.067	PIPE CONNECTION 1/4"
34	4031.062	FUEL PIPE PUMP-TANK
35	4031.063	FUEL PIPE TANK-FILTER
36	4031.061	FUEL PIPE FILTER-PUMP
37	4031.070	FILTER WITH CARTIDGE 3/8"
38	4111.116	OR KIT FILTER
39	4031.015	FILTER CARTIDGE
40	4032.437	FILTER SUPPORT
41	4031.064	DOUBLE SCREW
42	4117.049	DOUBLE SCREW
43	4031.180	FILTER HOUSING
44	4032.472	NECK PLASTIC FILLER
50	4032.446	ELECTR. COMPONENTS DRAWER
51	4117.058	PILOT LAMP 230V
52	4111.040	FUSE (6,3X32) 10A



Pos.	Code NR	Description
53	4111.038	CABLE FASTENER
54	4111.153	POWER CORD
55	4162.467	CAP FOR THERMOSTAT SOCKET
56	4111.119	THERMOSTAT SOCKET
57	4160.637	SWITCH
58	4110.968	CONTROL BOX
59	4032.448	ELECTR. COMPONENTS BASE
60	4032.499	CONTROL BOX SUPPORT
61	4110.969	CONTROL BOX BASE
62	4110.967	PG PLATE
63	4110.155	EDGE LINER
64	4111.033	TERMINAL BOARD
65	4160.639	POP RIVET WITH TERMIN. 4 WAY
66	4032.450	PLASTIC PIN
67	4111.032	RELAY FINDER
68	4031.541	TRANSFORMER
69	4110.491	TRANSFORMER POWER CORD
70	4110.490	H.T. CABLE
71	4160.421	M4 SCREW
75	4111.081	COUPLING SIMEL
76	4111.042	PUMP DANFOSS
77	4161.501	NUT FOR BICONE 1/8"
78	4161.140	CONNECTION 90° 1/8"
79	4111.049	OIL SUPPLY PIPE
81	4032.110	POWER CORD SOLENOID SPOOL
82	4110.970	PHOTOCELL CONN. CABLE
83	4110.966	PHOTOCELL
84	4111.076	PHOTOCELL BLOCK BRACKET
85	4032.406	PHOTOCELL SUPPORT
86	4032.574	BURNER FLANGE
87	4032.403	NOZZLE SUPPORT
88	4031.025	NOZZLE 1,00 GHP 80°
89	4032.454	M6 NUT
90	4032.545	AIR REGULATION FLAP
91	4032.570	TURBO DISC
92	4031.045	FAN THERMOSTAT
93	4031.095	ELECTRODE
94	4032.407	CONN. STRAIGHT M14X6
95	4160.968	CONN. STRAIGHT 1/8"
96	4102.535	SOLENOID SPOOL 230V/50Hz
97	4031.047	LIMIT THERMOSTAT

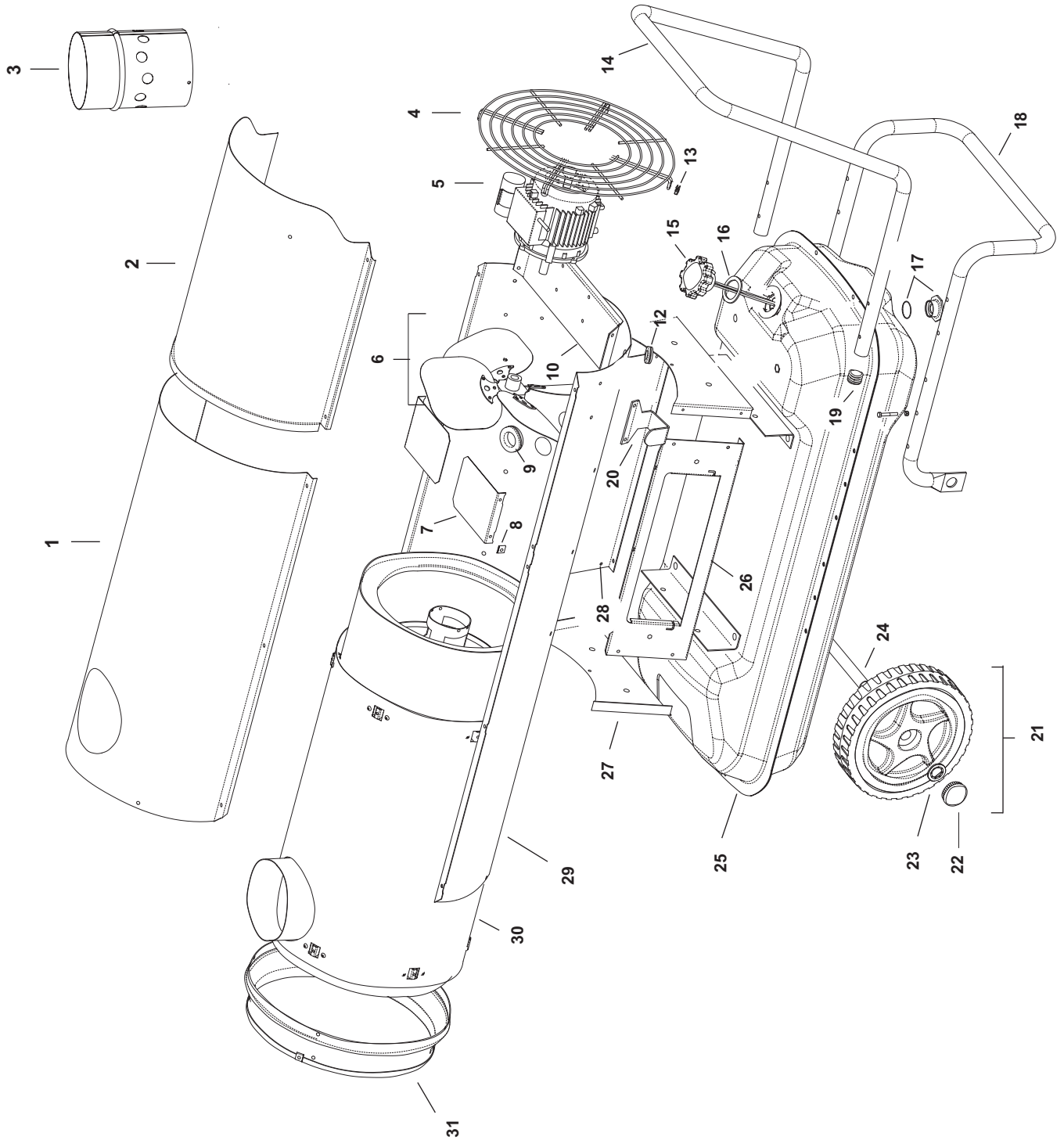
# BV 170 2011 MODEL

UNIT 1

ILLUSTRATED PARTS BREAKDOWN

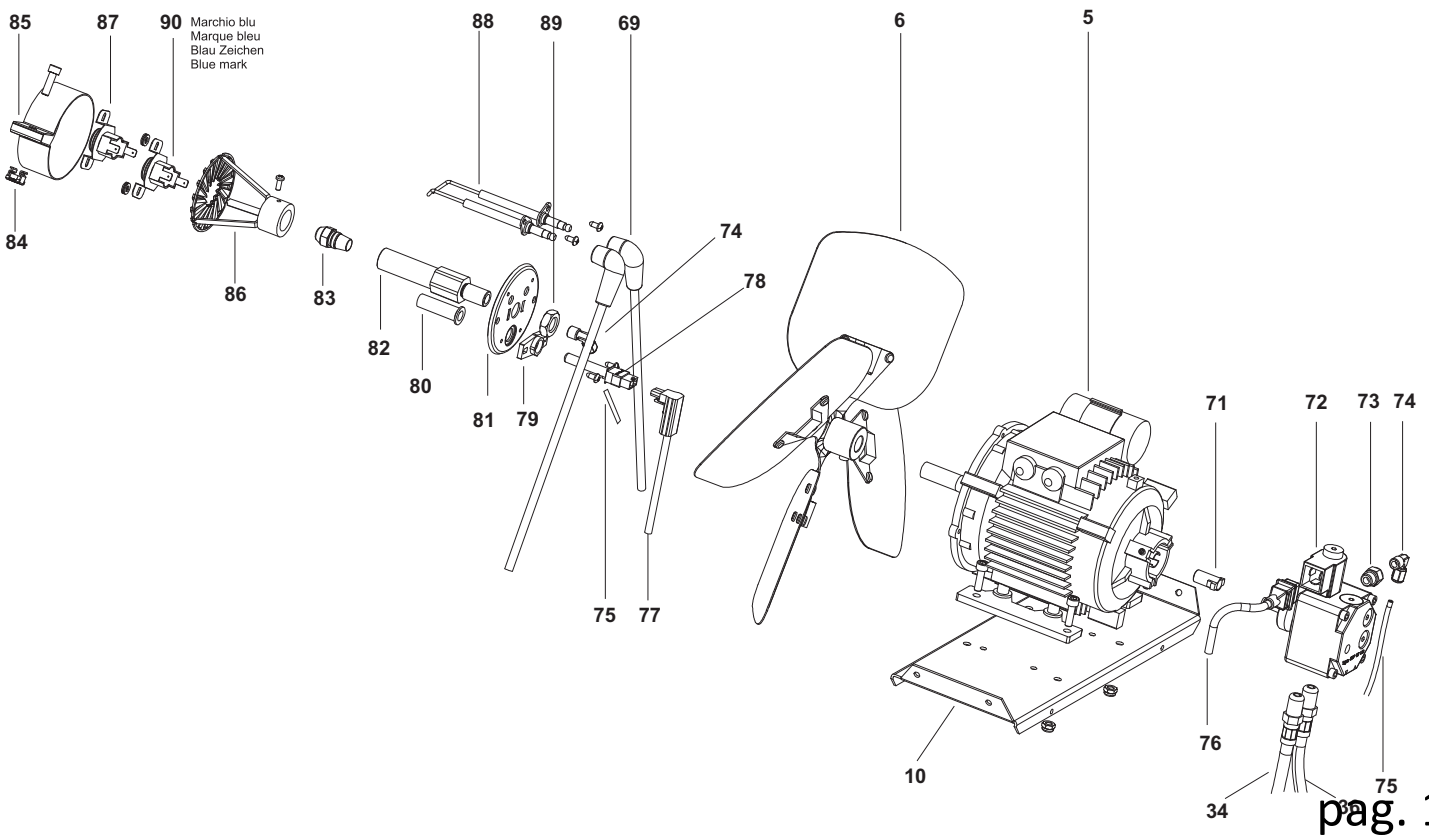
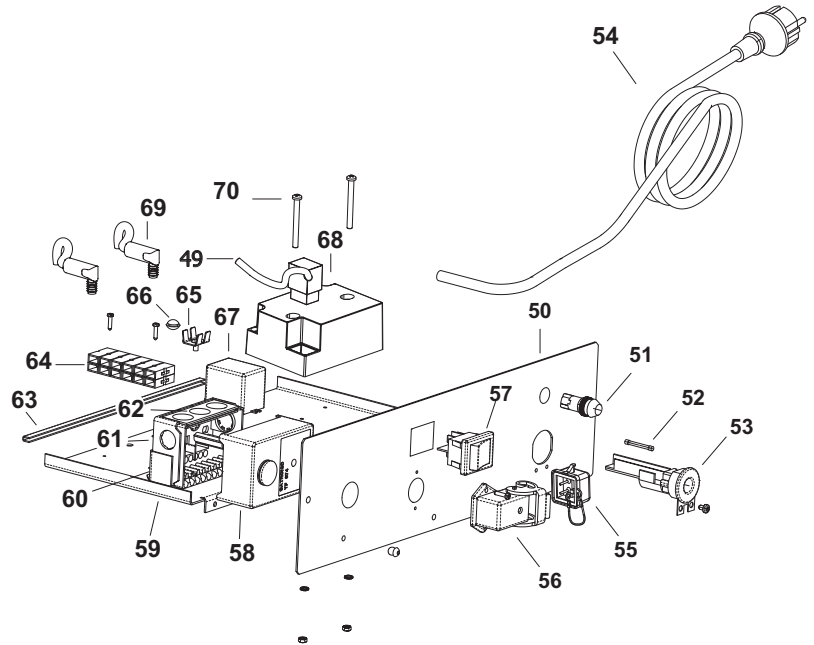
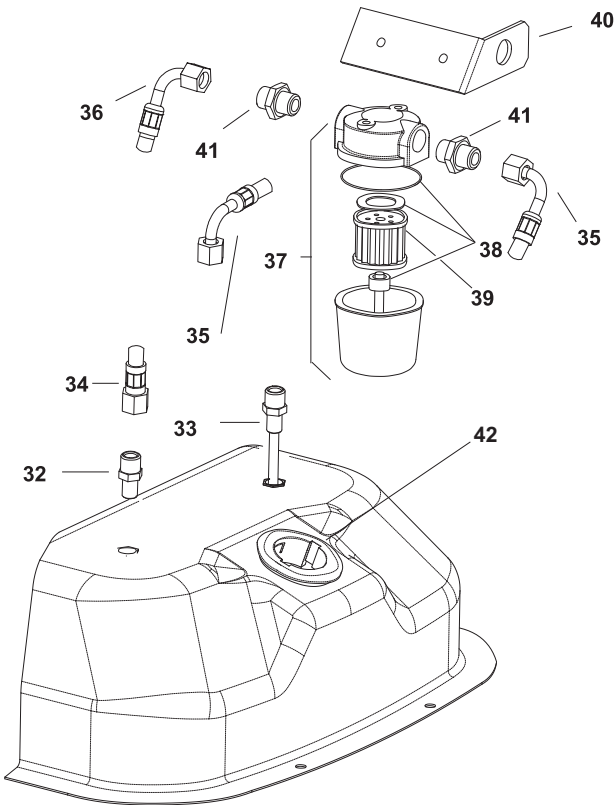
From Serial Number: 31201205

Edizione 2011  
Rev. A



From Serial Number: 31201205

Edizione 2011  
Rev. A

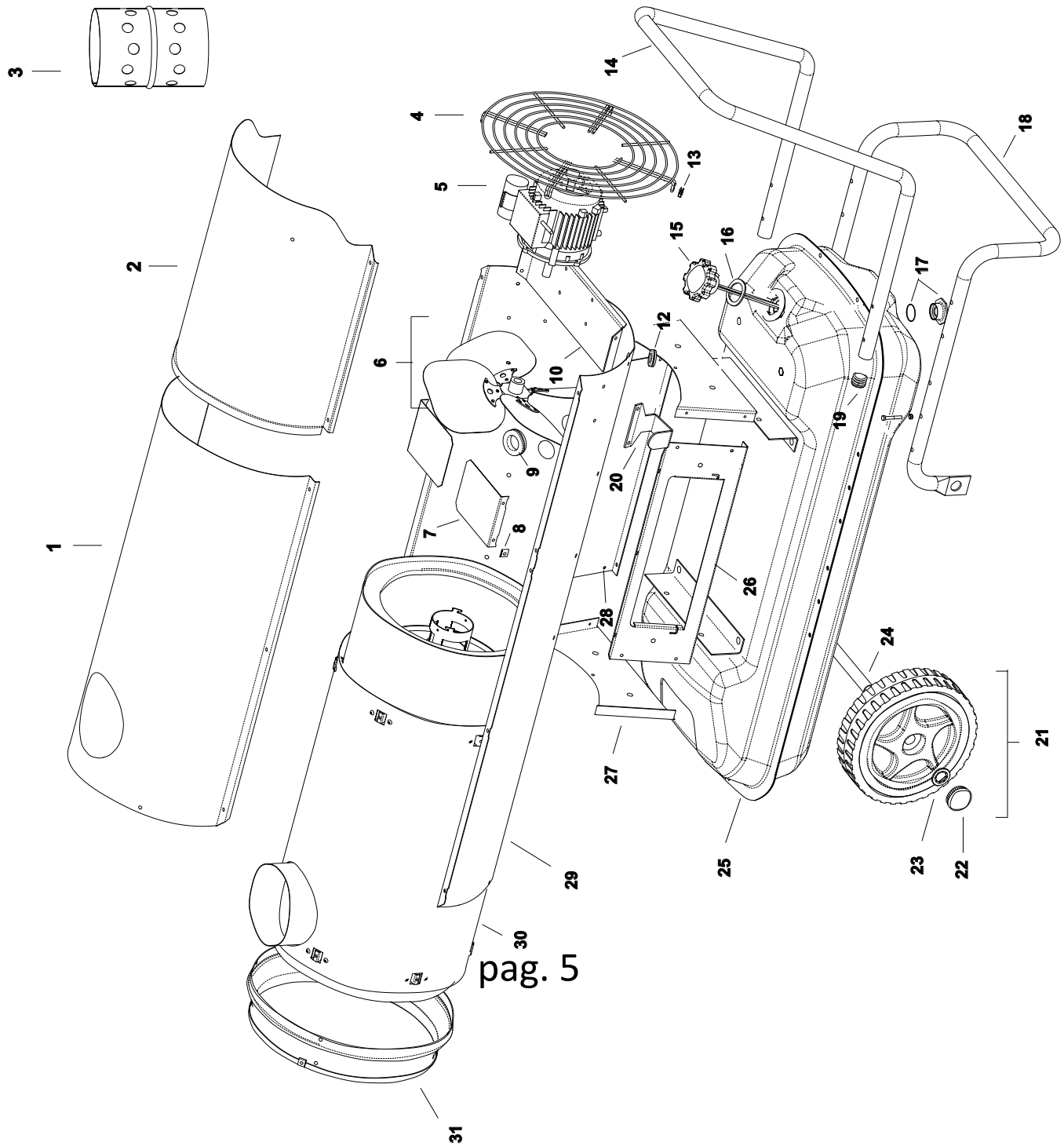


Pos.	Code NR	Description
1	4032.546	UPPER BODY
2	4032.548	UPPER BODY MOBILE
3	4032.534	CHIMNEY
4	4032.557	INLET GRILLE
5	4032.594	MOTOR 2P 230V/50 450 W
6	4032.593	FAN
7	4032.554	AIR FLAP
8	4104.170	CLIP NUT
9	4111.056	PROTECTION CLABLE
10	4032.555	MOTOR FLANGE
12	4160.646	PROTECTION CLABLE
13	4111.241	ELASTIC PLATE
14	4032.568	HANDLE FRAME
15	4032.475	FUEL LEVEL PROBE
16	4032.537	TANK PLUG SEAL
17	4100.632	DRAIN PLUG
18	4032.564	FOOT FRAME
19	4111.057	PLUG
20	4032.536	POWER CORD HOOK
21	4032.094	WHEEL
22	4111.480	WHEEL PLUG
23	4111.072	WHEEL HOLDER
24	4032.566	AXLE
25	4034.290	FUEL TANK
26	4032.558	ELECTR. COMPONENTS DRAWER PANEL
27	4033.095	BASE
28	4032.560	SIDE PANEL
29	4032.550	LOWER BODY
30	4032.541	COMBUSTION CHAMBER
31	4032.544	OUTLET CONE
32	4031.068	NIPPLES
33	4031.067	PIPE CONNECTION 1/4"
34	4031.062	FUEL PIPE PUMP-TANK
35	4031.063	FUEL PIPE TANK-FILTER
36	4031.061	FUEL PIPE FILTER-PUMP
37	4031.070	FILTER CARTIDGE 3/8"
38	4111.116	OR KIT FILTER
39	4031.015	FILTER CARTIDGE
40	4032.437	FILTER SUPPORT
41	4031.064	DOUBLE SCREW
42	4032.472	NECK PLASTIC FILLER
49	4110.491	TRANSFORMER POWER CORD
50	4032.446	ELECTR. COMPONENTS DRAWER

Pos.	Code NR	Description
51	4117.058	PILOT LAMP 230V
52	4111.040	FUSE (6,3X32) 10A
53	4111.038	CABLE FASTENER
54	4111.153	POWER CORD
55	4162.467	CAP FOR THERMOSTAT SOCKET
56	4111.119	THERMOSTAT SOCKET
57	4160.637	SWITCH
58	4110.968	CONTROL BOX
59	4032.448	ELECTR. COMPONENTS BASE
60	4032.499	CONTROL BOX SUPPORT
61	4110.969	CONTROL BOX BASE
62	4110.967	PG PLATE
63	4110.155	EDGE LINER
64	4111.033	TERMINAL BOARD
65	4160.639	POP RIVET
66	4032.450	PLASTIC PIN
67	4111.032	RELAY FINDER
68	4031.541	TRANSFORMER
69	4110.490	H.T. CABLE
70	4160.421	M4 SCREW
71	4111.081	COUPLING SIMEL
72	4111.042	PUMP DANFOSS
73	4161.501	CONN. STRAIGHT 1/8"
74	4161.140	CONNECTION 90° 1/8"
75	4111.049	OIL SUPPLY PIPE
76	4033.087	PUMP POWER CORD
77	4110.970	PHOTOCELL CONN. CLABE
78	4110.966	PHOTOCELL
79	4111.076	PHOTOCELL BLOCK BRACKET
80	4032.406	PHOTOCELL SUPPORT
81	4032.574	BURNER FLANGE
82	4032.403	NOZZLE SUPPORT
83	4031.025	NOZZLE 1,00 GHP 80°
84	4032.454	M6 NUT
85	4032.545	AIR REGULATION FLAP
86	4033.071	TURBO DISC
87	4031.045	FAN THERMOSTAT
88	4033.057	ELECTRODE
89	4032.407	M14 NUT
90	4031.047	LIMIT THERMOSTAT

From Serial Number: 32200523

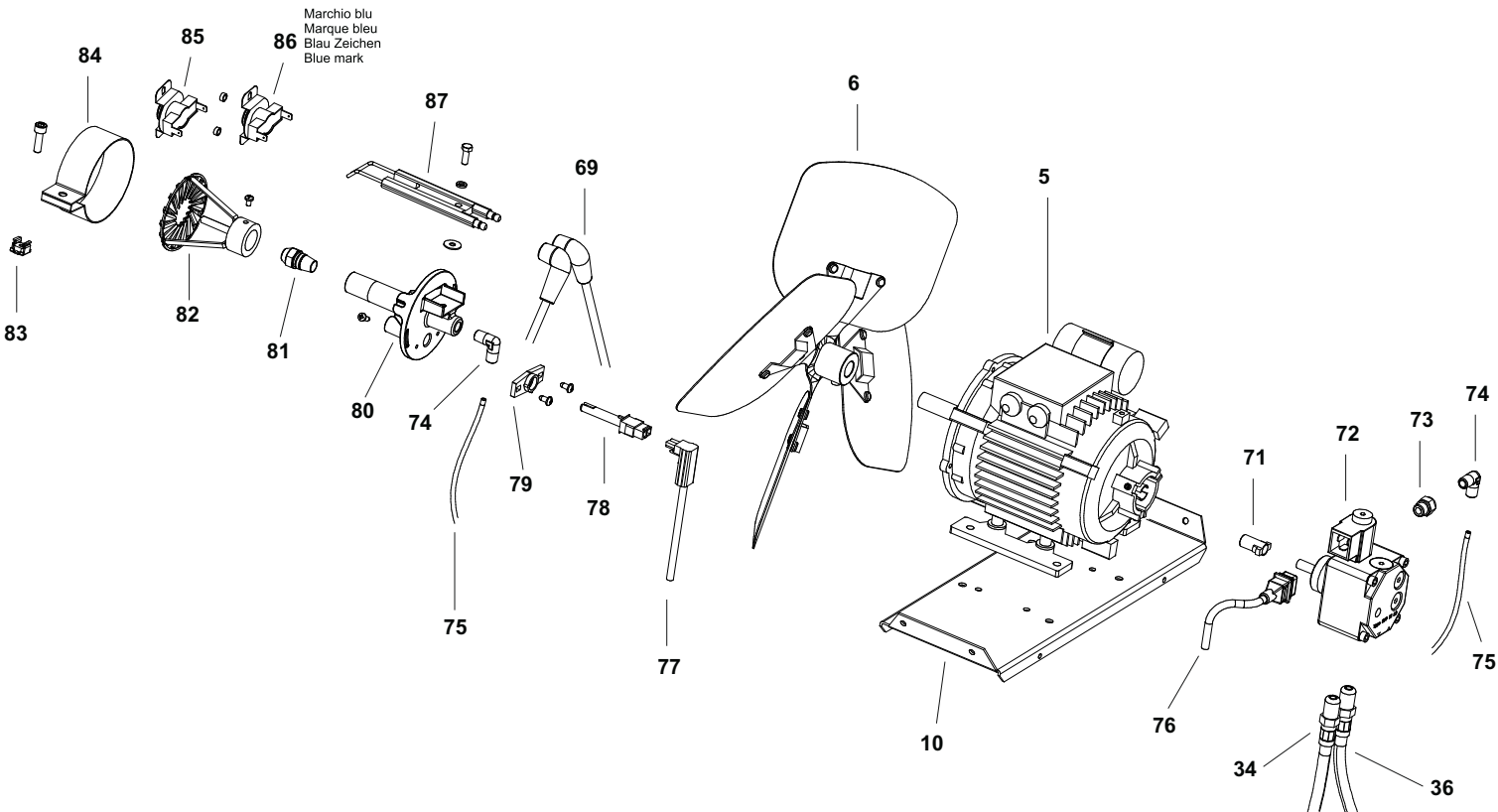
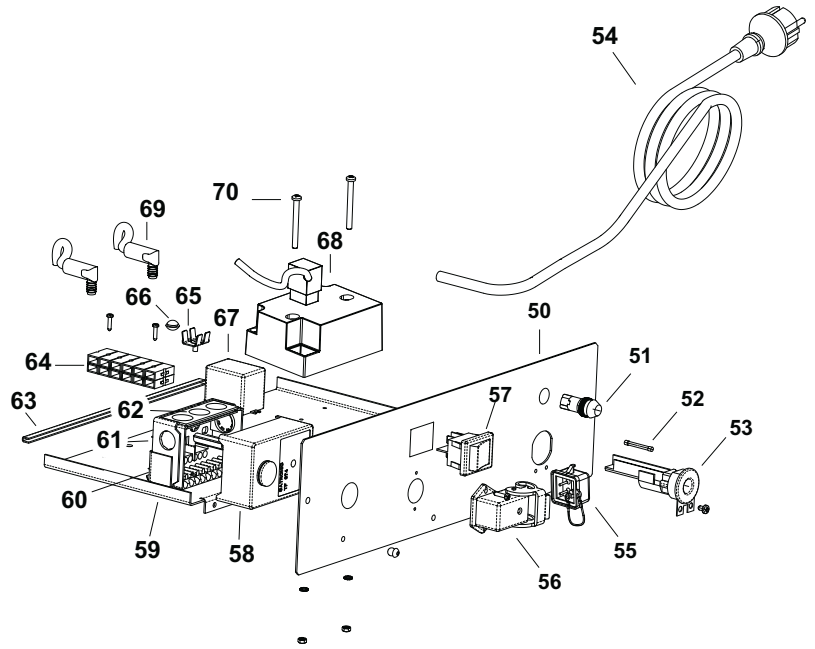
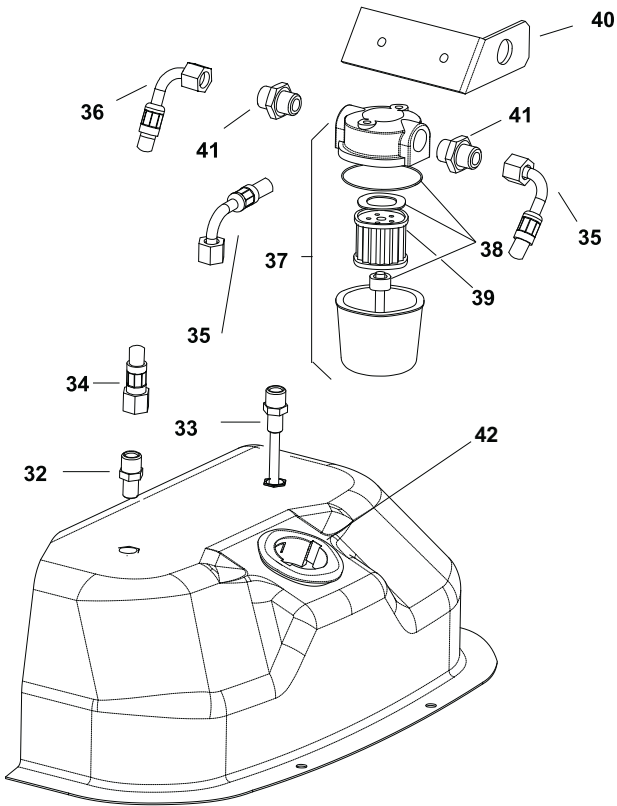
Edizione 2012  
Rev. A



pag. 5

From Serial Number: 32200523

Rev.A - May 2012



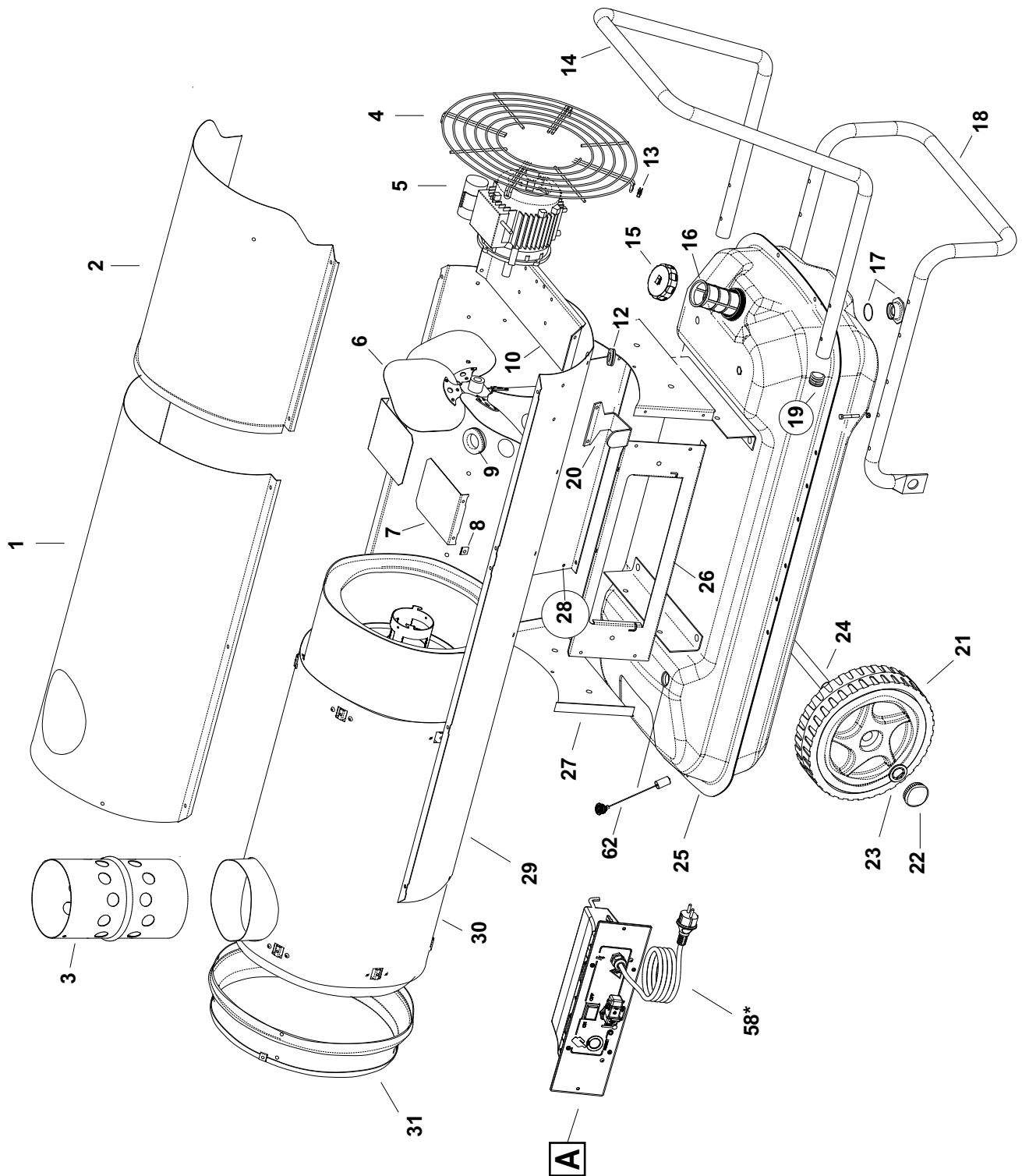
<b>Pos.</b>	<b>Code NR</b>	<b>Description</b>
1	4032.546	UPPER BODY
2	4032.548	UPPER BODY MOBILE
3	4032.534	CHIMNEY
4	4032.557	INLET GRILLE
5	4032.594	MOTOR 2P 230V/50 450 W
6	4032.593	FAN
7	4032.554	AIR FLAP
8	4104.170	CLIP NUT
9	4111.056	PROTECTION CLABLE
10	4032.555	MOTOR FLANGE
12	4160.646	PROTECTION CLABLE
13	4111.241	ELASTIC PLATE
14	4032.568	HANDLE FRAME
15	4032.475	FUEL LEVEL PROBE
16	4032.537	TANK PLUG SEAL
17	4100.632	DRAIN PLUG
18	4032.564	FOOT FRAME
19	4111.057	PLUG
20	4032.536	POWER CORD HOOK
21	4032.094	WHEEL
22	4111.480	WHEEL PLUG
23	4111.072	WHEEL HOLDER
24	4032.566	AXLE
25	4034.290	FUEL TANK
26	4032.558	ELECTR. COMPONENTS DRAWER PANEL
27	4033.095	BASE
28	4032.560	SIDE PANEL
29	4032.550	LOWER BODY
30	4033.188	COMBUSTION CHAMBER
31	4032.544	OUTLET CONE
32	4031.068	NIPPLES
33	4031.067	PIPE CONNECTION 1/4"
34	4031.062	FUEL PIPE PUMP-TANK
35	4031.063	FUEL PIPE TANK-FILTER
36	4031.061	FUEL PIPE FILTER-PUMP
37	4031.070	FILTER CARTIDGE 3/8"
38	4111.116	OR KIT FILTER
39	4031.015	FILTER CARTIDGE
40	4032.437	FILTER SUPPORT
41	4031.064	DOUBLE SCREW
42	4032.472	NECK PLASTIC FILLER
50	4032.446	ELECTR. COMPONENTS DRAWER
51	4117.058	PILOT LAMP 230V



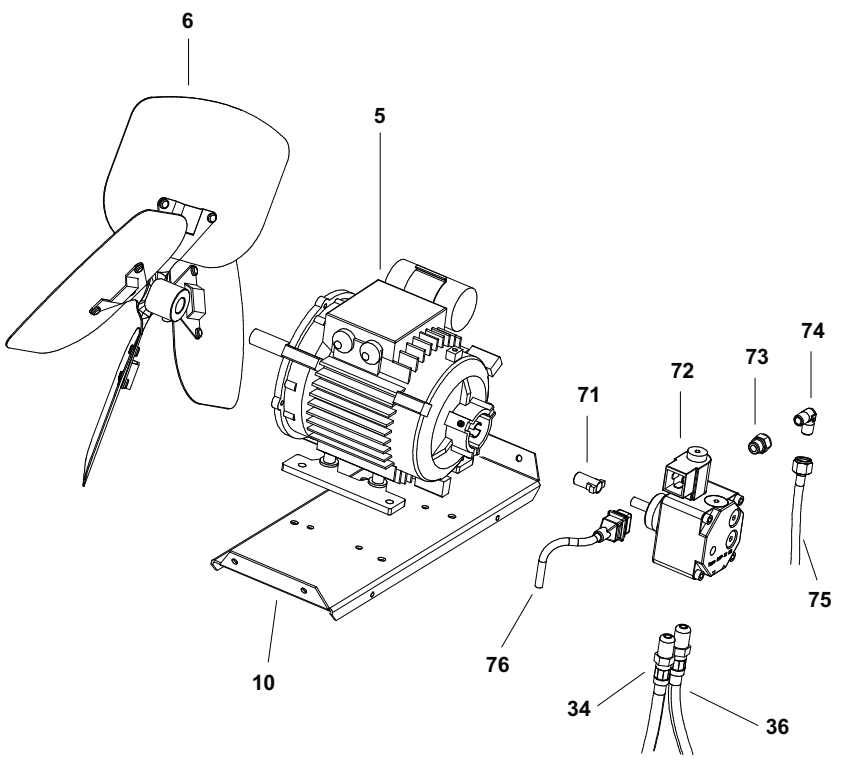
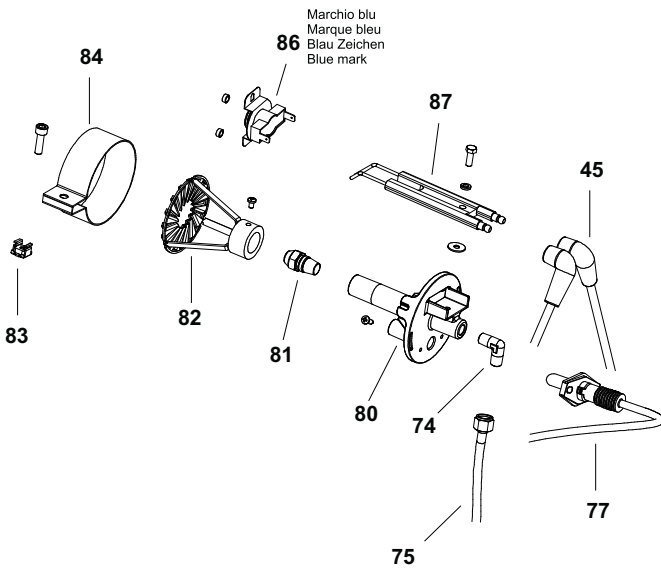
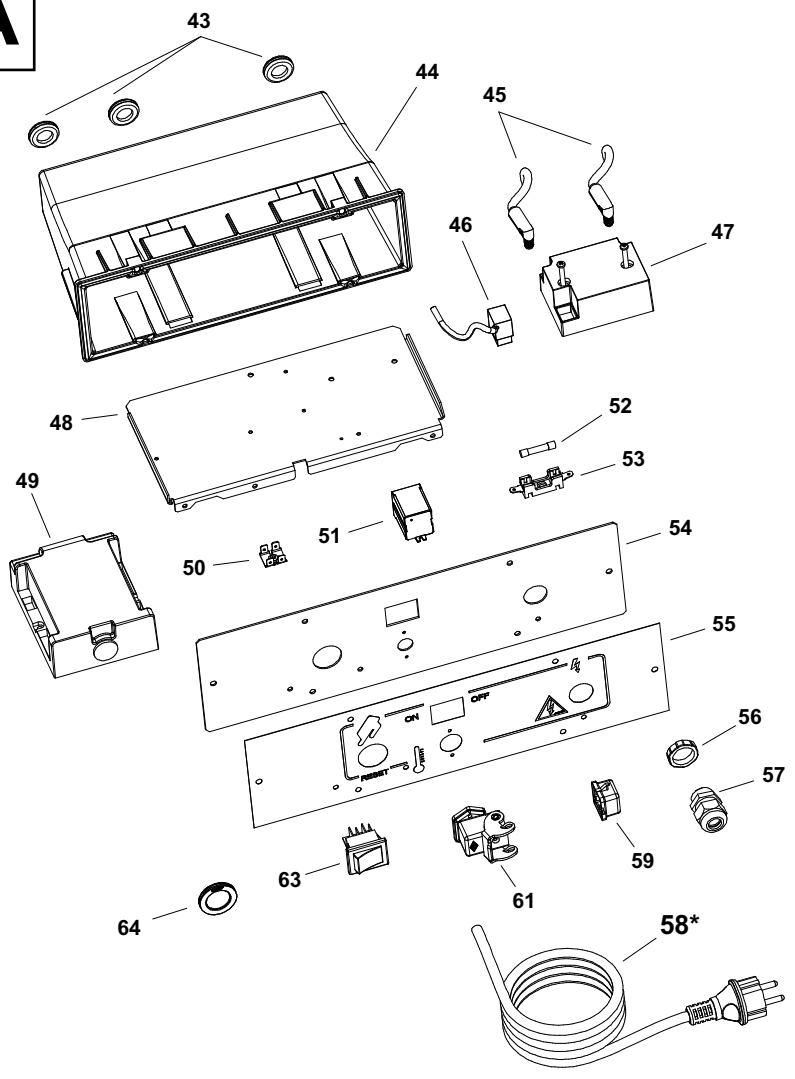
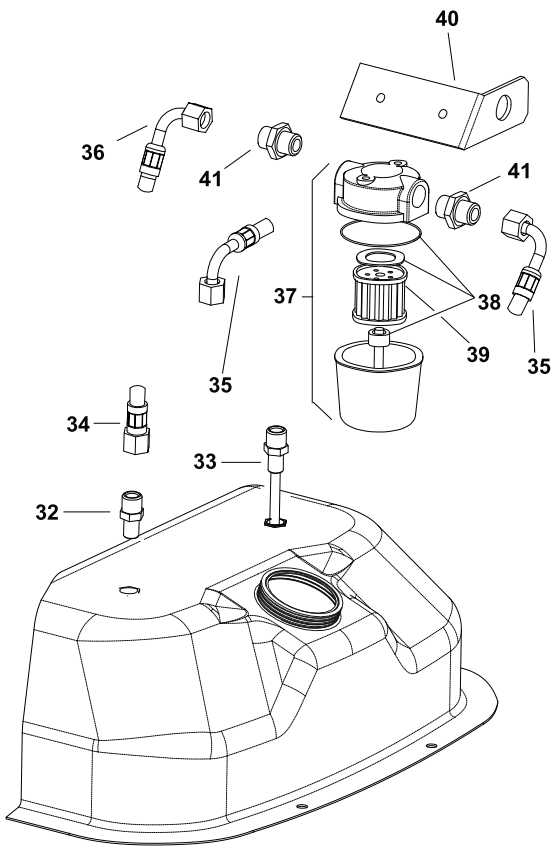
<b>Pos.</b>	<b>Code NR</b>	<b>Description</b>
52	4111.040	FUSE (6,3X32) 10A
53	4111.038	CABLE FASTENER
54	4111.153	POWER CORD
55	4162.467	CAP FOR THERMOSTAT SOCKET
56	4111.119	THERMOSTAT SOCKET
57	4160.637	SWITCH
58	4110.968	CONTROL BOX
59	4032.448	ELECTR. COMPONENTS BASE
60	4032.499	CONTROL BOX SUPPORT
61	4110.969	CONTROL BOX BASE
62	4110.967	PG PLATE
63	4110.155	EDGE LINER
64	4111.033	TERMINAL BOARD
65	4160.639	POP RIVET
66	4032.450	PLASTIC PIN
67	4111.032	RELAY FINDER
68	4031.541	TRANSFORMER
69	4110.490	H.T. CABLE
70	4160.421	M4 SCREW
71	4111.081	COUPLING SIMEL
72	4111.042	PUMP DANFOSS
73	4161.501	CONN. STRAIGHT 1/8"
74	4033.198	CONNECTION 90° 1/8"
75	4033.186	OIL SUPPLY PIPE
76	4033.087	PUMP POWER CORD
77	4110.970	PHOTOCELL CONN. CLABE
78	4110.966	PHOTOCELL
79	4111.076	PHOTOCELL BLOCK BRACKET
80	4033.059	BURNER FLANGE
81	4031.025	NOZZLE 1,00 GHP 80°
82	4033.071	TURBO DISC
83	4032.454	M6 NUT
84	4032.545	AIR REGULATION FLAP
85	4031.045	FAN THERMOSTAT
86	4031.047	LIMIT THERMOSTAT
87	4111.826	ELECTRODE

From Serial Number: 09233000649

Edizione 2013  
Rev. A



**A**



<b>Pos.</b>	<b>Code NR</b>	<b>Description</b>
1	4032.546	UPPER BODY
2	4032.548	UPPER BODY MOBILE
3	4032.534	CHIMNEY
4	4032.557	INLET GRILLE
5	4032.594	MOTOR
6	4032.593	FAN
7	4032.554	AIR FLAP
8	4104.170	CLIP NUT
9	4111.056	PROTECTION CLABLE
10	4032.555	MOTOR FLANGE
12	4160.646	PROTECTION CLABLE
13	4111.241	ELASTIC PLATE
14	4032.568	HANDLE FRAME
15	4260.100	TANK CAP
16	4290.083	TANK FILTER
17	4100.632	DRAIN PLUG
18	4032.564	FOOT FRAME
19	4111.057	PLUG
20	4032.536	POWER CORD HOOK
21	4032.094	WHEEL Ø 250
22	4111.480	WHEEL PLUG
23	4111.072	WHEEL HOLDER Ø 20
24	4032.566	AXLE
25	4033.242	FUEL TANK
26	4032.558	ELECTR. COMPONENTS DRAWER PANEL
27	4033.095	BASE
28	4032.560	SIDE PANEL
29	4032.550	LOWER BODY
30	4033.188	COMBUSTION CHAMBER
31	4031.659	OUTLET CONE
32	4031.068	CONN. STRAIGHT 1/4"
33	4031.067	PIPE CONNECTION 1/4"
34	4031.062	FUEL PIPE PUMP-TANK
35	4031.063	FUEL PIPE TANK-FILTER
36	4031.061	FUEL PIPE FILTER-PUMP
37	4031.070	FILTER WITH CARTIDGE 3/8"
38	4111.116	OR KIT FILTER
39	4031.015	FILTER CARTIDGE
40	4032.437	FILTER SUPPORT

<b>Pos.</b>	<b>Code NR</b>	<b>Description</b>
41	4031.064	DOUBLE SCREW
43	4162.500	PROTECTION CABLE
44	4033.257	PLASTIX BOX
45	4110.490	HT CABLE
46	4033.256	TRANSFORMER POWER CORD
47	4031.541	TRANSFORMER
48	4033.249	CONTROL BASE
49	4033.250	CONTROL BOX
50	4160.639	POP RIVET 4 WAY
51	4111.032	RELAY
52	4111.040	FUSE
53	4033.301	FUSE HOLDER
54	4033.248	FRONTAL CONTROLS PANEL
55	4033.254	PANEL LABEL
56	4100.656	LOCKNUT
57	4150.528	STRAIN RELIEF BUSHING
58	4033.253	POWER CORD SCHUKO
58-A	4033.252	POWER CORD NEW ZEALAND
58-B	4033.302	POWER CORD UK
59	4162.467	CAP FOR THERMOSTAT SOCKET
61	4111.119	THERMOSTAT SOCKET
62	4260.105	FUEL GAUGE
63	4165.204	ROCKER SWITCH
64	4033.251	BOARD BUTTON CAP
71	4111.081	COUPLING
72	4111.042	PUMP
73	4161.501	CONN. STRAIGHT 1/8"
74	4033.198	ELBOW 1/8"
75	4033.186	OIL SUPPLY PIPE
76	4033.087	PUMP POWER CORD
77	4033.246	PHOTOCELL
80	4033.034	BURNER FLANGE
81	4031.025	NOZZLE
82	4033.071	TURBO DISC
83	4032.454	M6 NUT
84	4032.545	AIR REGULATION FLAP
86	4031.047	LIMIT THERMOSTAT
87	4111.826	ELECTRODE

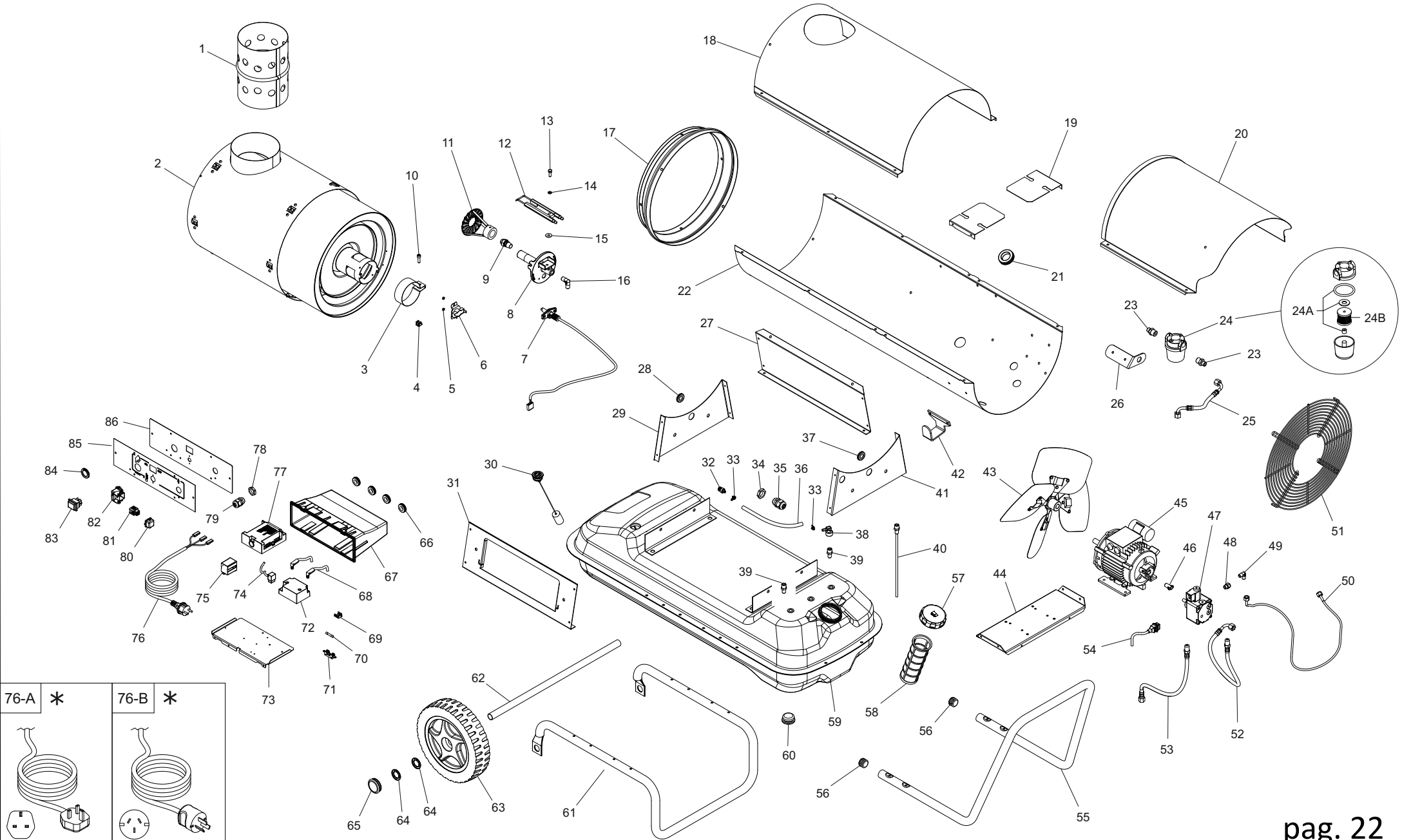
# MODEL BV170 E

## UNIT 1

## ILLUSTRATED PARTS BREAKDOWN

From Serial Number: 11237000286

Rev.H - Jan. 2017



76-A *	76-B *
POWER CORD UK (type G)	POWER CORD NEW ZL (type I)

<b>Pos.</b>	<b>Code NR</b>	<b>Description</b>
1	4032.534	CHIMNEY
2	4033.188	COMBUSTION CHAMBER
3	4032.545	AIR DAMPER
4	4032.454	CAGE NUT
5	4032.692	SPACER
6	4031.047	SAFETY THERMOSTAT
7	4033.246	PHOTOCELL SENSOR
8	4033.034	BURNER HEAD
9	4031.025	NOZZLE
10	4032.455	SCREW
11	4033.071	BURNER HEAD DIFFUSER
12	4111.826	BIFILAR ELECTRODES
13	4110.363	SCREW
14	4110.393	ELASTIC WASHER
15	4110.394	FIBER WASHER
16	4033.198	90° FUEL CONNECTION
17	4031.659	OUTLET CONE
18	4032.546	UPPER SHELL
19	4032.554	AIR DEFLECTOR
20	4032.548	UPPER SHELL - MOBILE
21	4111.056	GASKET
22	4032.550	LOWER SHELL
23	4034.378	STRAIGHT FUEL CONNECTION
24	4031.070	FUEL FILTER
24A	4111.116	OR FILTER KIT
24B	4031.015	FILTER CARTRIDGE
24C	4031.180	FILTER HOUSING
25	4031.063	FUEL PIPE - FILTER TANK
26	4032.437	FILTER BRACKET
27	4032.560	LATERAL PANEL
28	4162.500	GASKET
29	4033.095	FRONT PANEL
30	4260.105	FUEL GAUGE
31	4032.558	LATERAL CONTROL PANEL
32	4260.246	BREATH VALVE
33	4100.810	CLIP
34	4100.656	NUT
35	4150.528	STRAIN RELIEF
36	4100.204	RUBBER PIPE
37	4162.500	GASKET
38	4100.192	90° AIR CONNECTION
39	4031.068	STRAIGH CONNECTION
40	4031.067	SUCTION PIPE
41	4034.293	REAR PANEL
42	4032.536	POWER CORD BRACKET
43	4032.593	FAN
44	4032.555	MOTOR SUPPORT

Pos.	Code NR	Description
45	4032.594	MOTOR
46	4111.081	MOTOR PUMP COUPLING
47	4111.042	FUEL PUMP
48	4161.501	STRAIGHT FUEL CONNECTION
49	4033.198	90° FUEL CONNECTION
50	4033.186	FUEL FLEXIBLE PIPE
51	4032.557	GRILLE
52	4031.061	FUEL PIPE - PUMP-FILTER
53	4031.062	FUEL PIPE - PUMP-TANK
54	4033.311	PUMP VALVE POWER CORD
55	4032.568	HANDLE
56	4111.057	HANDLE CAP
57	4034.283	TANK CAP
58	4290.213	TANK FILTER
59	4034.290	TANK
60	4100.632	TANK DRAIN CAP
61	4032.564	WHEELS SUPPORT
62	4032.566	WHEELS AXLE
63	4032.094	WHEEL
64	4111.072	BLOCK WASHER
65	4111.480	WHEEL CAP
66	4160.646	GASKET
67	4033.257	PLASTIC BOX
68	4110.490	HIGH TENSION WIRE
69	4160.639	GROUND FASTON
70	4111.040	FUSE
71	4033.301	FUSE HOLDER
72	4031.541	HIGH TENSION TRANSFORMER
73	4033.249	CONTROL PANEL BASE
74	4033.256	HIGH TENSION TRANSFORMER POWER CORD
75	4111.032	RELAY
76	4033.253	POWER CORD SCHUKO
76A	4033.302	POWER CORD UK
76B	4033.252	POWER CORD NEW ZEALAND
77	4033.250	PC-BOARD
78	4100.656	NUT
79	4150.528	STRAIN RELIEF
80	4162.467	THERMOSTAT CAP
81	4161.400	THERMOSTAT PLUG
82	4160.647	THERMOSTAT SOCKET
83	4165.204	SWITCH
84	4033.251	PC-BOARD CAP
85	4033.254	CONTROL PANEL LABEL
86	4033.248	CONTROL PANEL