

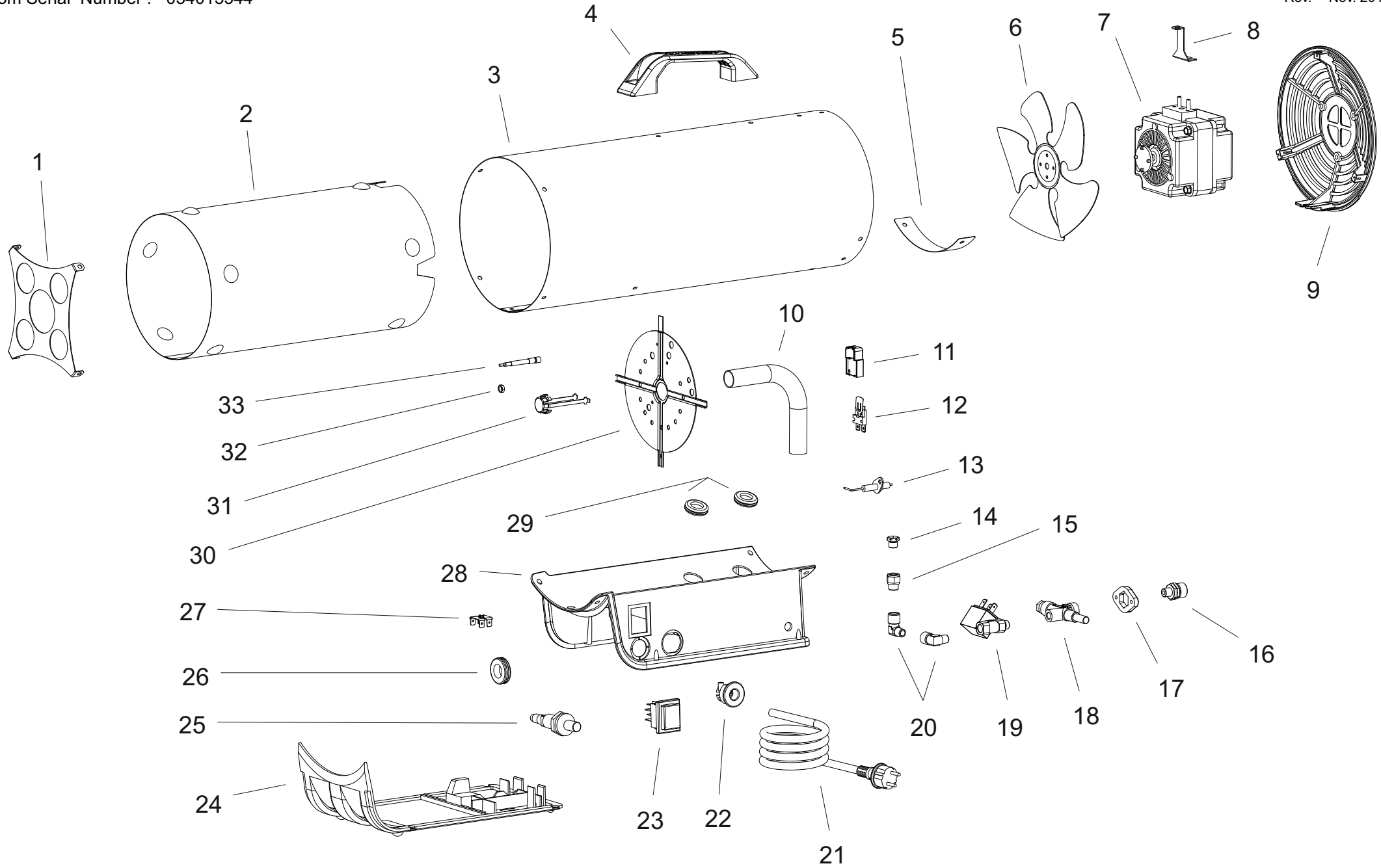
MODEL BLP 27M

UNIT 1

ILLUSTRATED PARTS BREAKDOWN

Rev. - - Nov. 2014

From Serial Number : 034015544



MODEL BLP 27M

UNIT 2

PARTS LIST

Pos.	Code N°	Description	Rev. - - Nov. 2014
1	4160.714	OUTLET GRID	
2	4162.919	COMBUSTION CHAMBER	
3	4106.317	SHELL	
4	4162.934	PLASTIC HANDLE	
5	4106.320	LOWER PROTECTION	
6	4162.251	FAN	
7	4160.045	MOTOR	
8	4106.321	MOTOR BRACKET	
9	4160.713	INLET GRID	
10	4162.959	BURNER PIPE	
11	4162.909	THERMOSTAT COVER	
12	4162.910	THERMOSTAT	
13	4160.707	ELECTRODE	
14	4160.746	NOZZLE	
15	4161.501	NOZZLE CONNECTION	
16	4160.048	INLET GAS CONNECTION	
17	4160.854	GAS CONNECTION BRACKET	
18	4160.653	SAFETY VALVE	
19	4162.932	ELECTROVALVE	
20	4160.620	90° CONNECTION	
21	4160.539	POWER CORD SCHUKO	
22	4160.635	STRAIN RELIEF	
23	4160.637	SWITCH	
24	4162.914	LOWER BASE	
25	4509.254	PIEZO IGNITOR	
26	4160.646	STRAIN RELIEF	
27	4106.140	4 WAY POP RIVET	
28	4162.913	UPPER BASE	
29	4162.500	STRAIN RELIEF	
30	4106.623	BURNER DISC	
31	4162.698	BURNER END	
32	4106.043	NUT	
33	4106.041	THERMOCOUPLE	

RECOMMENDED SPARE PARTS

Pos.	Code NR	Description	Rev. - - Nov. 2014
11	4162.909	THERMOSTAT COVER	
12	4162.910	THERMOSTAT	
13	4160.707	ELECTRODE	
18	4160.653	SAFETY VALVE	
19	4162.932	ELECTROVALVE	
25	4509.254	PIEZO IGNITOR	
33	4106.041	THERMOCOUPLE	