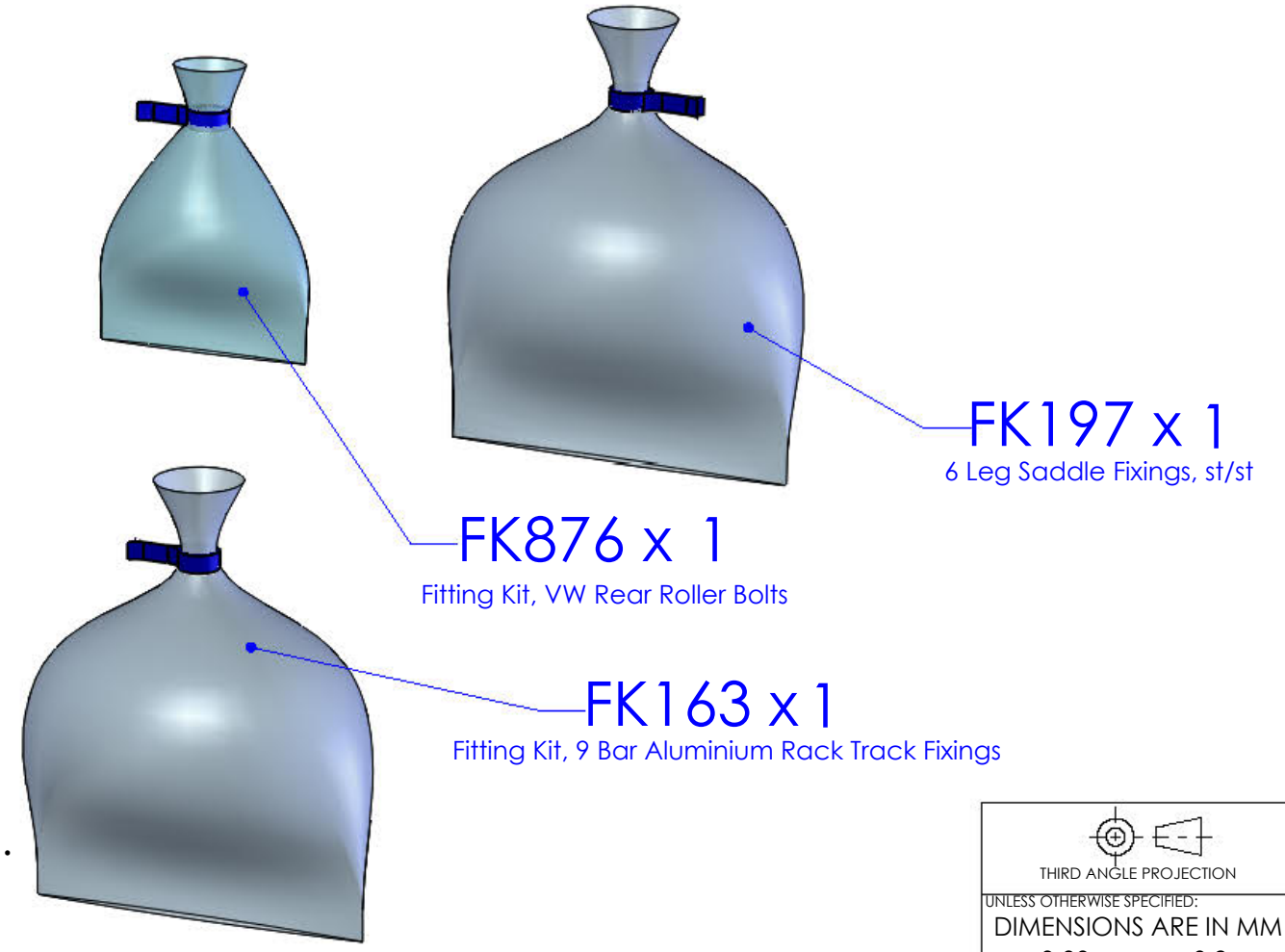
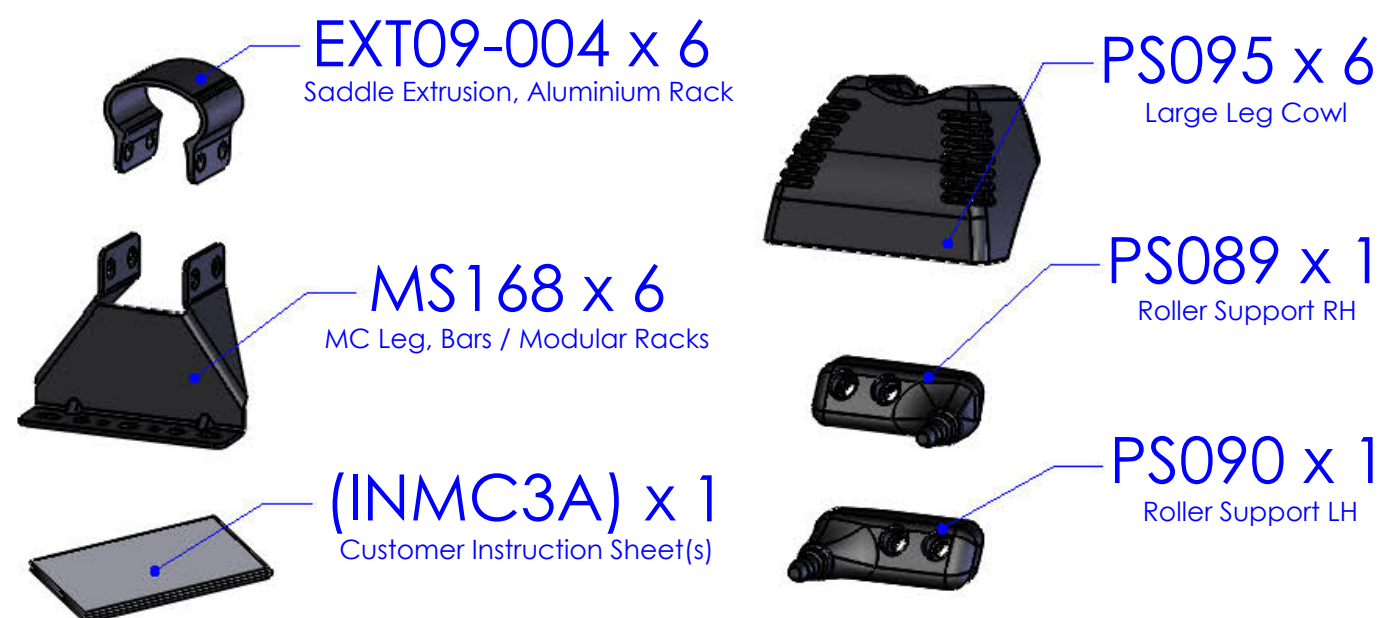
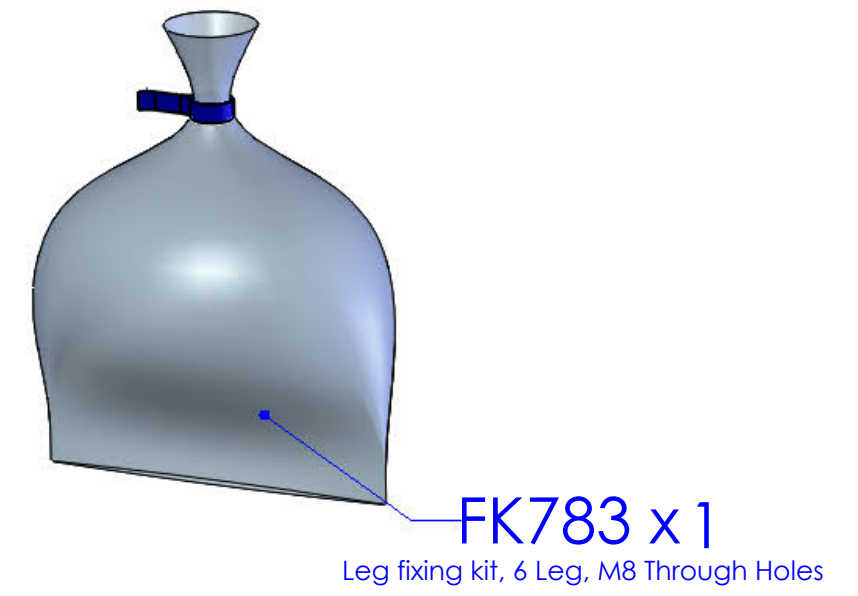
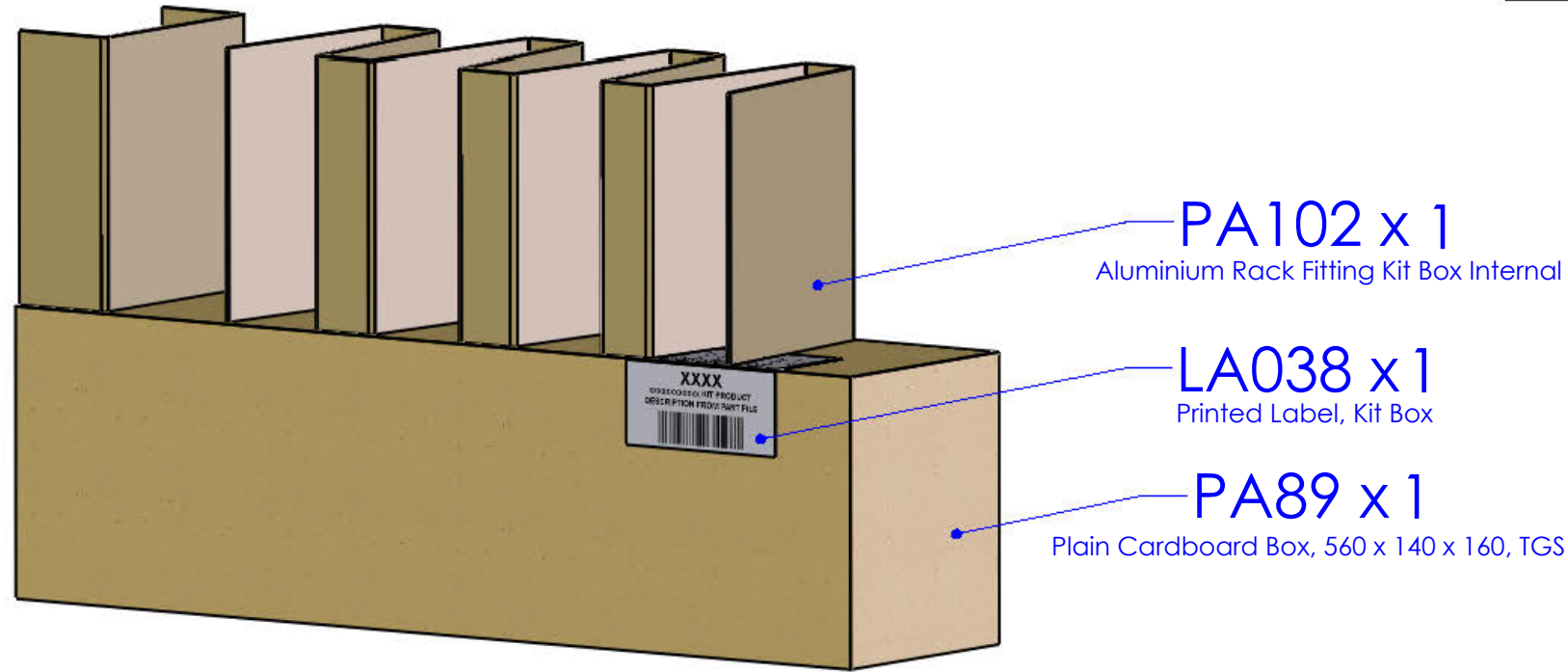


ISSUE:	DRAWN BY:	CHECKED BY:	CRF NO:	DATE:	DESCRIPTION:
e			0764		
f	JW	KB	0764	05/11/13	
g	CH	KB	1075	03/06/15	Added lubrication symbol to customer instructions
h	CH	KB	1103	10/07/15	Added FK876 rear roller fitting kit



Notes: 1. First pack Integral Bolt Kit into Plastic Bag, then pack this Bag with the main Kit (Cardboard Box).
 2. Fold Printed Label along edge of kit Box.
 3. Put through heat tunnel.



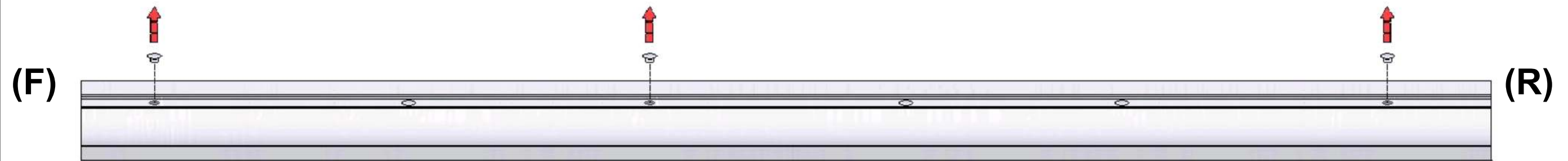
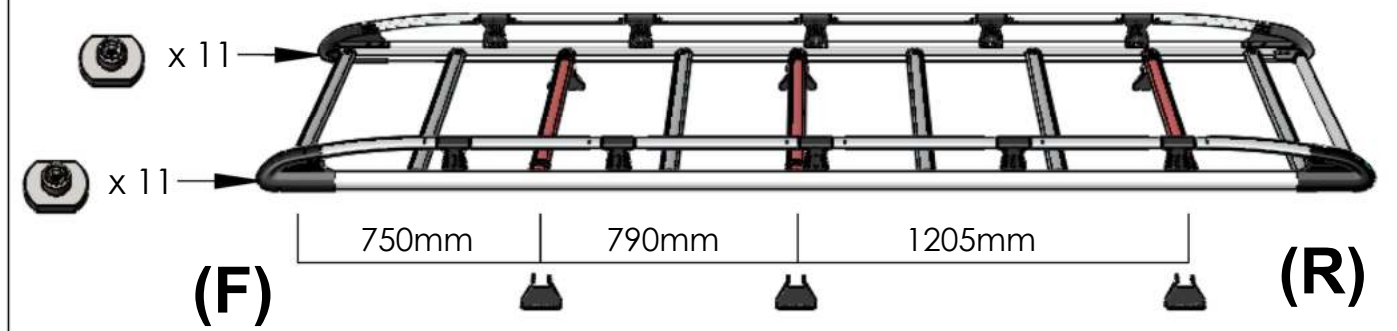
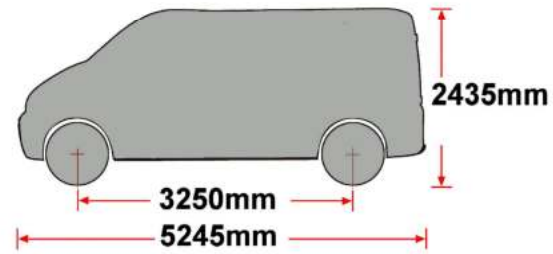
DRAWING NO: MC3A (1 of 8)	DESCRIPTION: "MC" 6 Leg Fitting Kit, Aluminium Rack	DESIGNED BY: M. Davies 19/07/11
MATERIAL SIZE: n/a	MATERIAL SPEC: n/a	WEIGHT: 4.21Kg
© NOTE: This drawing is the property of Rhino Products Ltd and must not be used or copied without written consent. The Rhino Products name and logo must remain clearly visible in any reproduction.		

 THIRD ANGLE PROJECTION	
UNLESS OTHERWISE SPECIFIED:	
DIMENSIONS ARE IN MM	
0.00	0.2
0.0	0.5
ANG	0.5°
DERIVED DIMENSIONS SHOWN IN BRACKETS	
DEBURR AND BREAK ALL SHARP EDGES	
SHEET SIZE: A3	SHEET SCALE: 2:8

A517



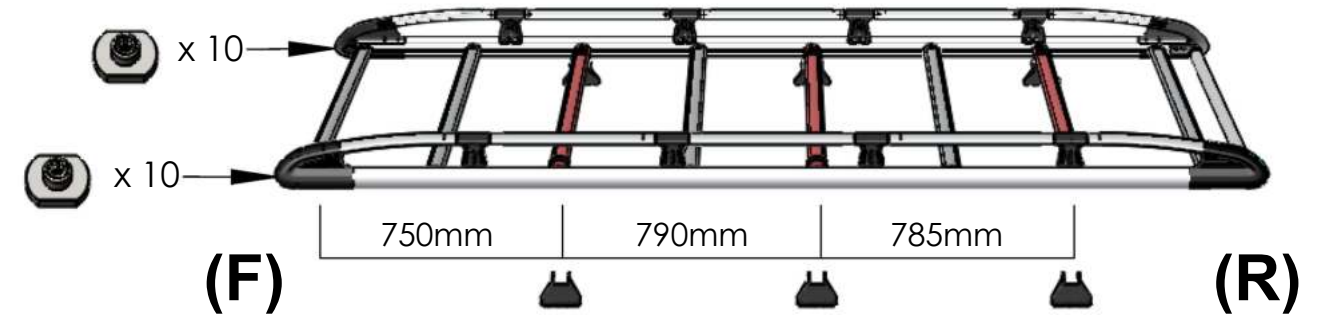
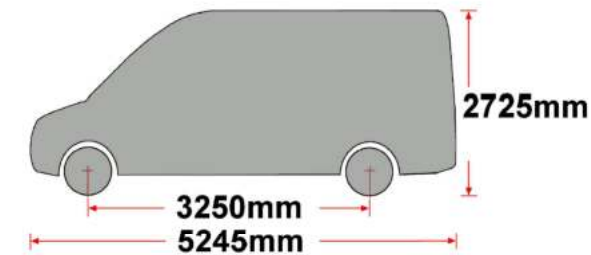
SPRINTER/CRAFTER 2006- L1, H1, TWIN DOORS



A518



SPRINTER/CRAFTER 2006- L1, H2, TWIN DOORS





EXT09-004 x 6



MS168 x 6



PS095 x 6



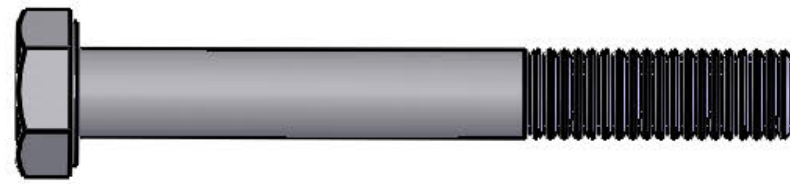
PS089 x 1



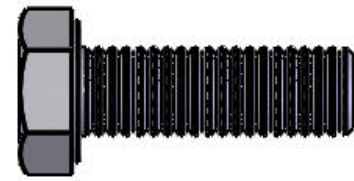
PS090 x 1



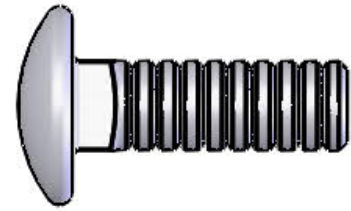
PS023 x 6



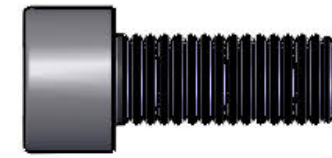
FB012 (M8 x 65) x 12



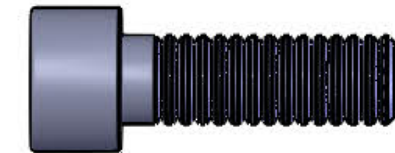
FS062 (M8 x 25) x 6



FS064 (M8 x 25) x 6

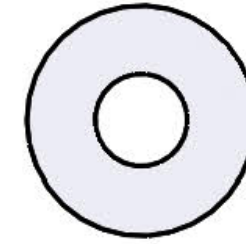


FS074 (M8 x 20) x 4



FS059 (M8 x 25) x 22

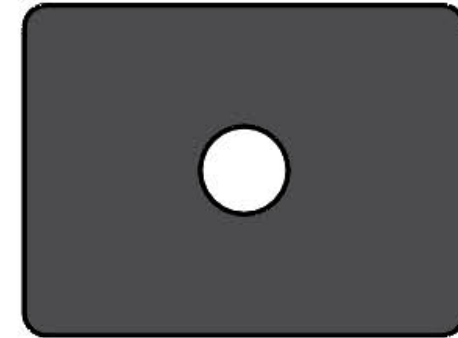
(1:1)



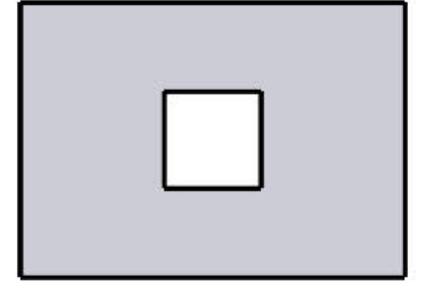
FW002 (M8) x 30



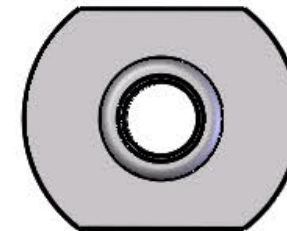
FN006 (M8) x 18



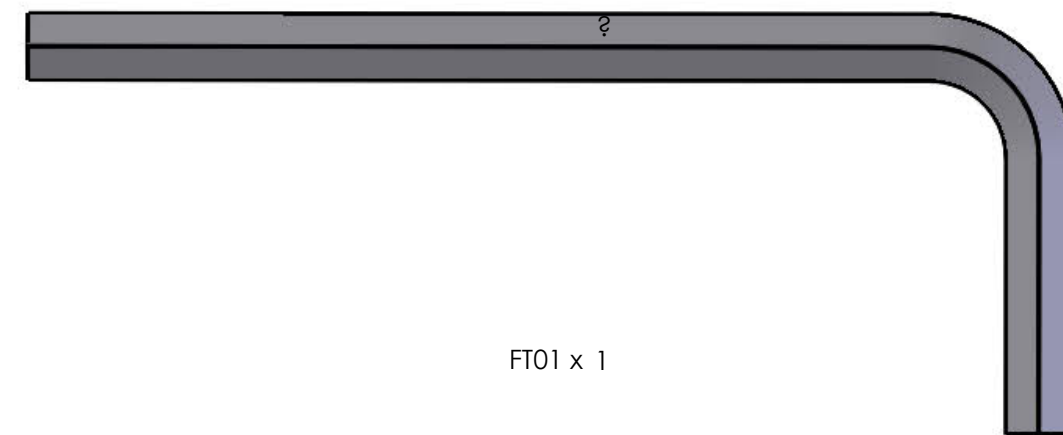
PS020 x 6



MS209 x 6



FN023 (M8) x 22



FT01 x 1

