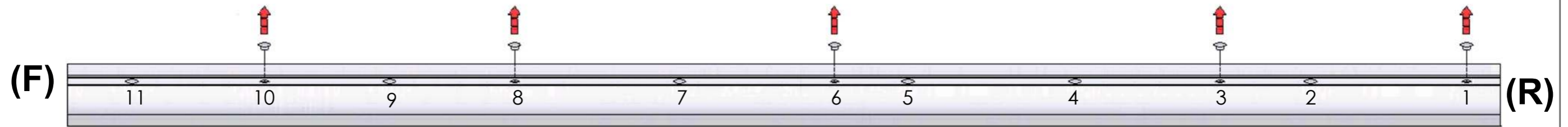
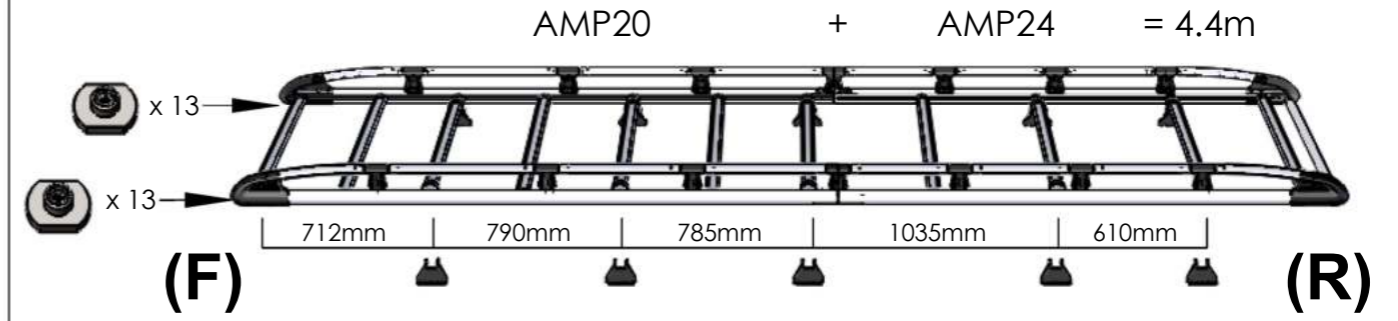
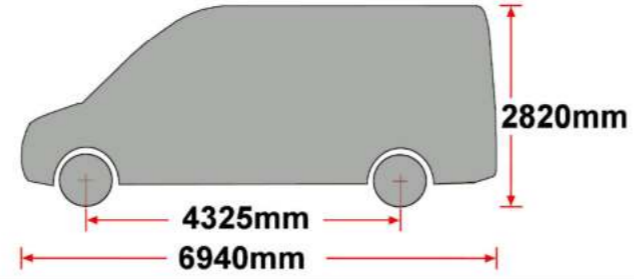


A521



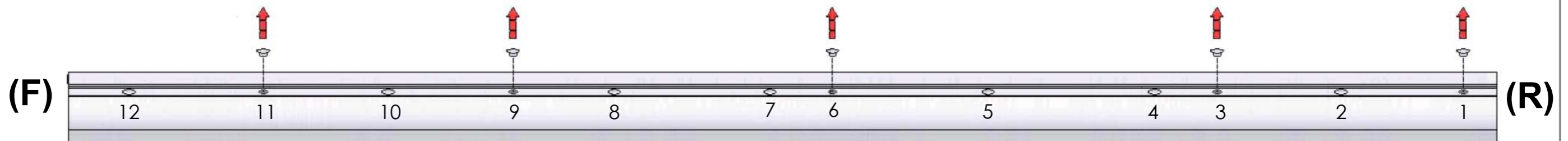
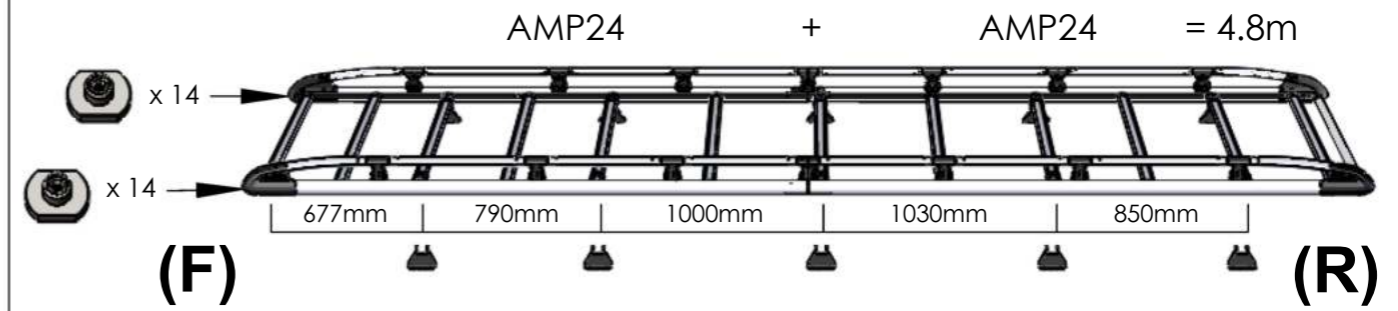
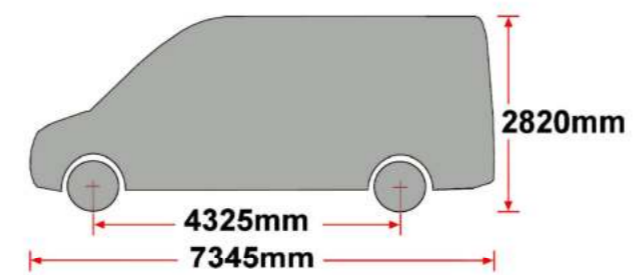
SPRINTER/CRAFTER 2006- L3, H2, TWIN DOORS



A522



SPRINTER/CRAFTER 2006- L4, H2, TWIN DOORS





EXT09-004 x 10



MS168 x 10



PS095 x 10



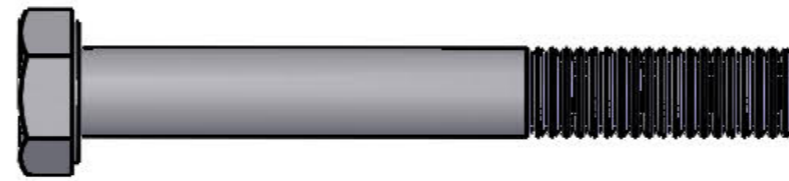
PS089 x 1



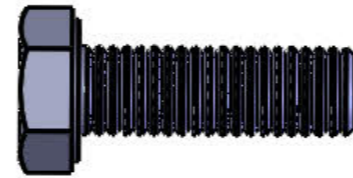
PS090 x 1



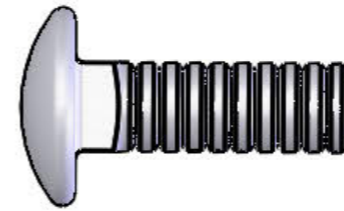
PS023 x 10



FB012 (M8 x 65) x 20



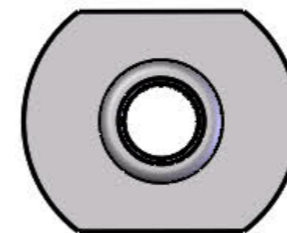
FS062 (M8 x 25) x 10



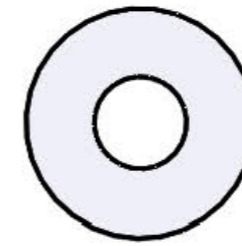
FS064 (M8 x 25) x 10



FS059 (M8 x 25) x 34



FN023 (M8) x 28

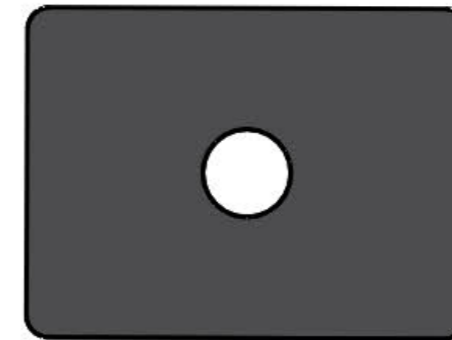


FW002 (M8) x 50

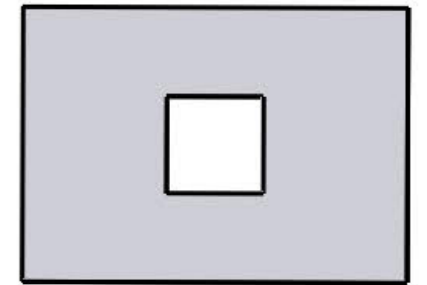


FN006 (M8) x 32

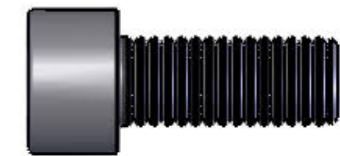
(1:1)



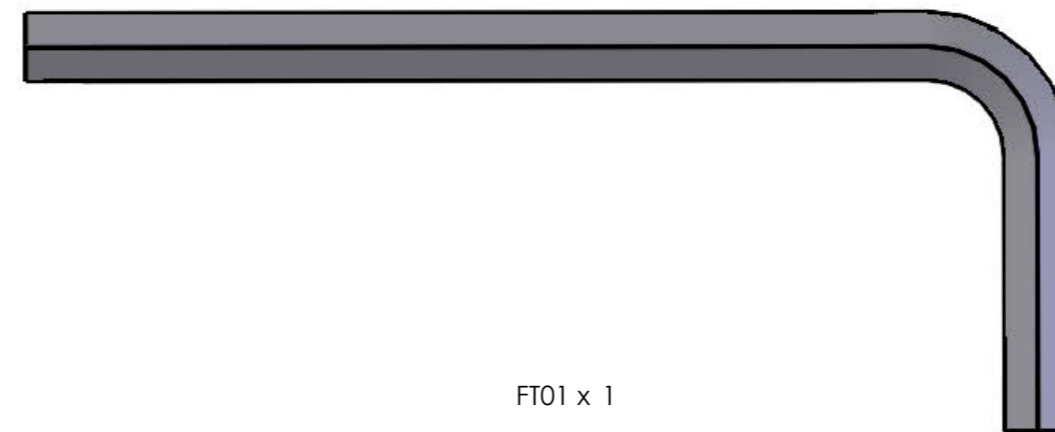
PS020 x 10



MS209 x 10



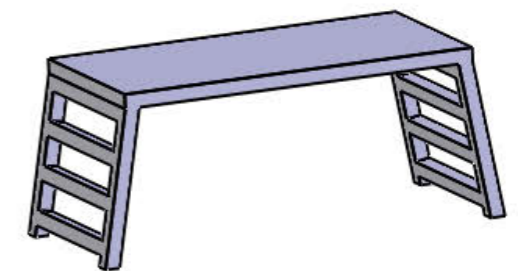
FS074 (M8 x 20) x 4

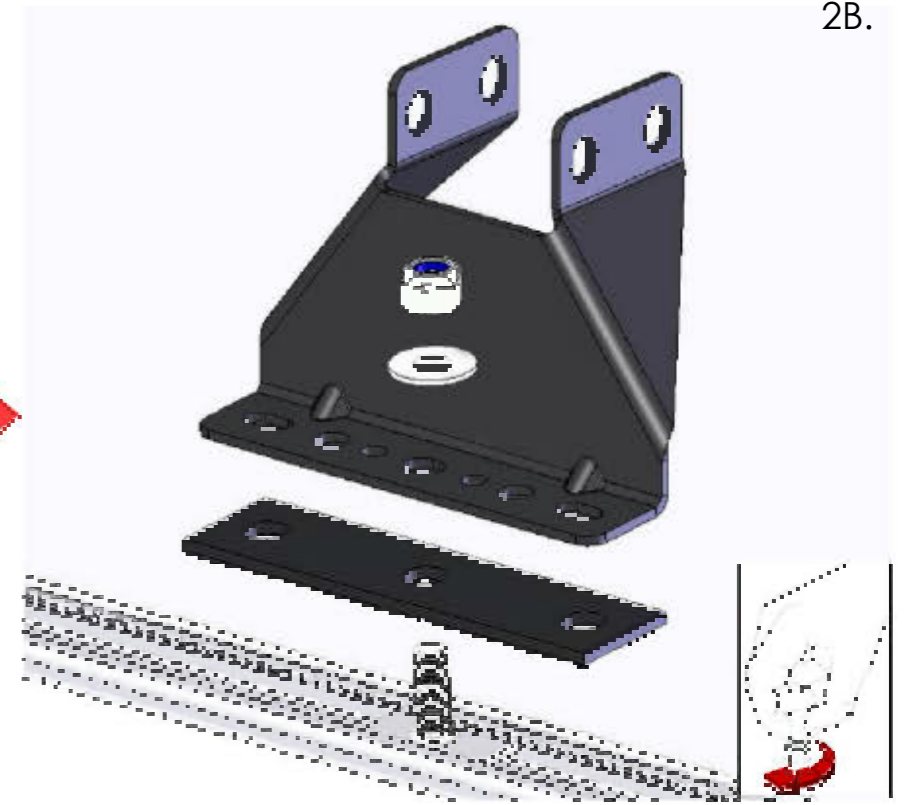
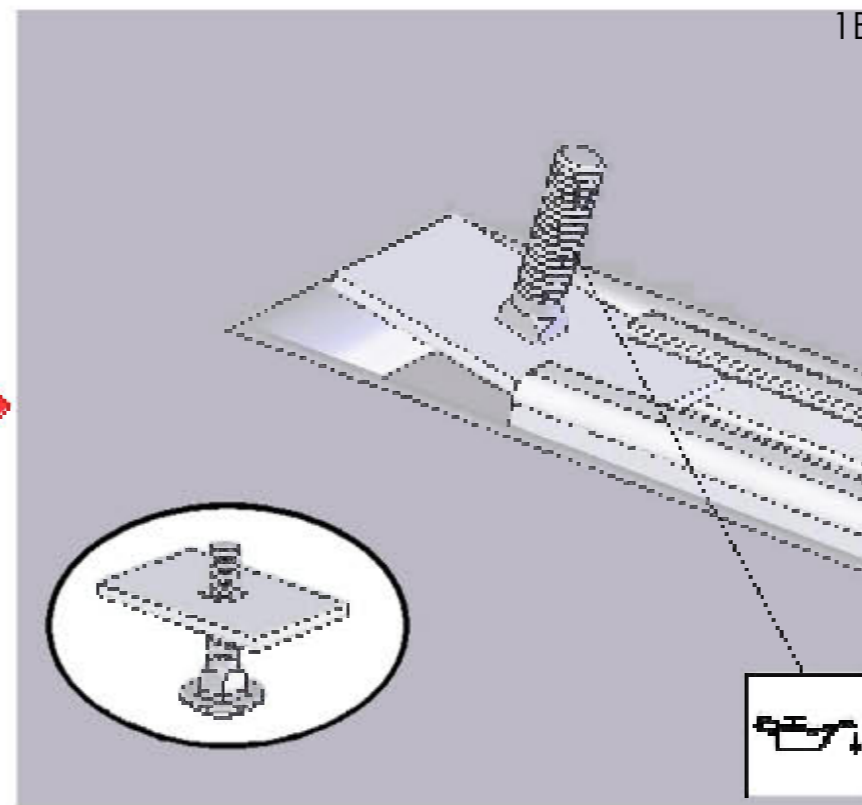
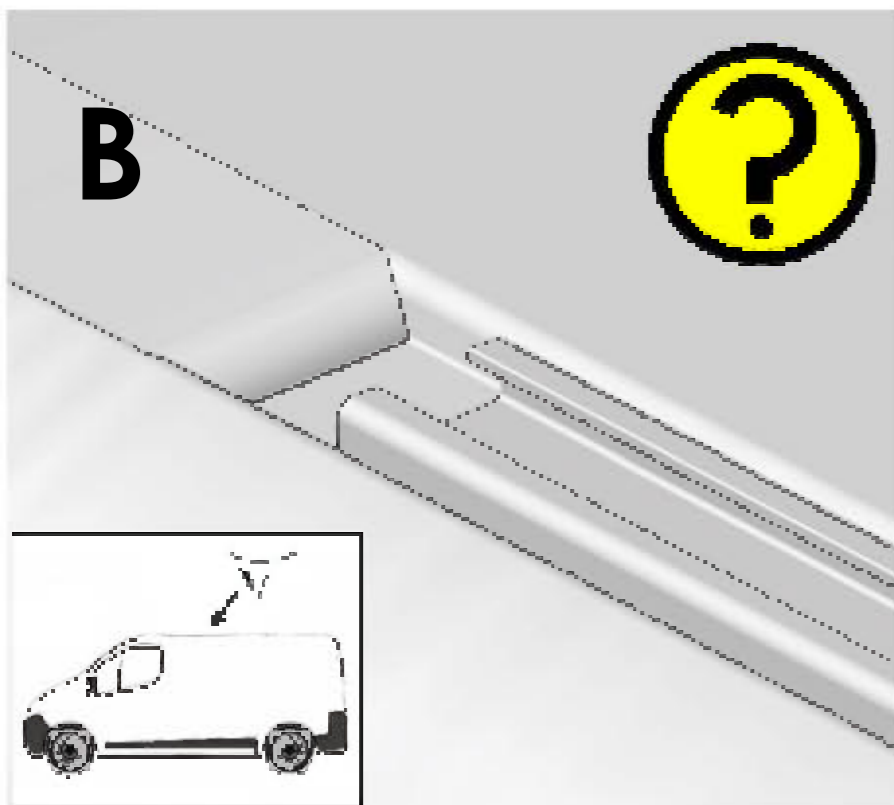
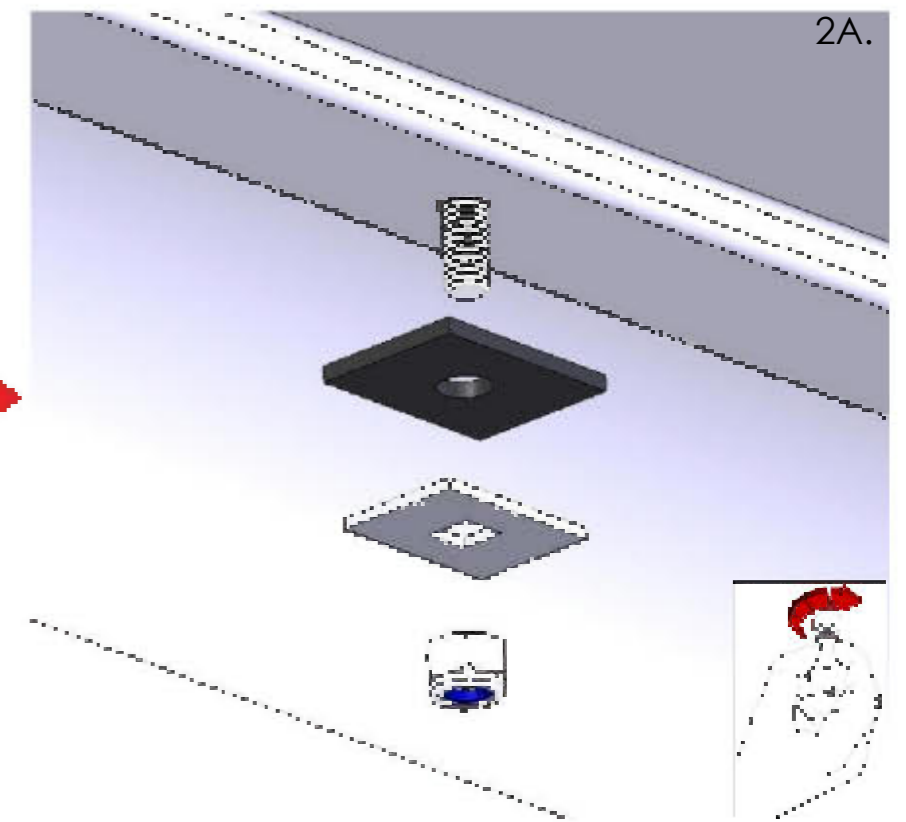
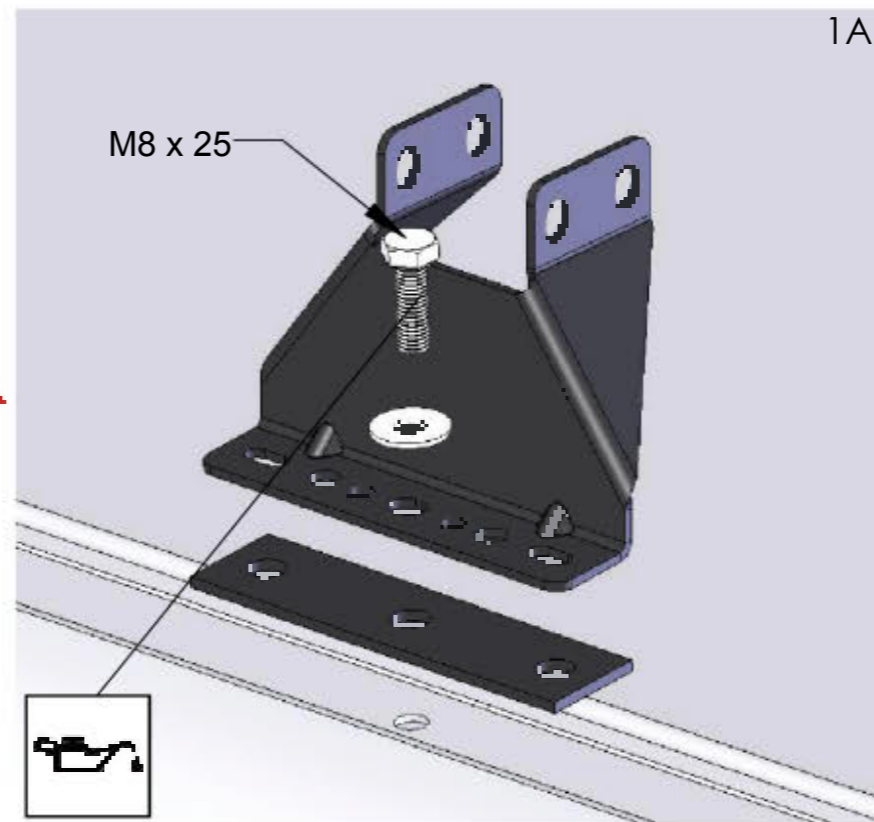
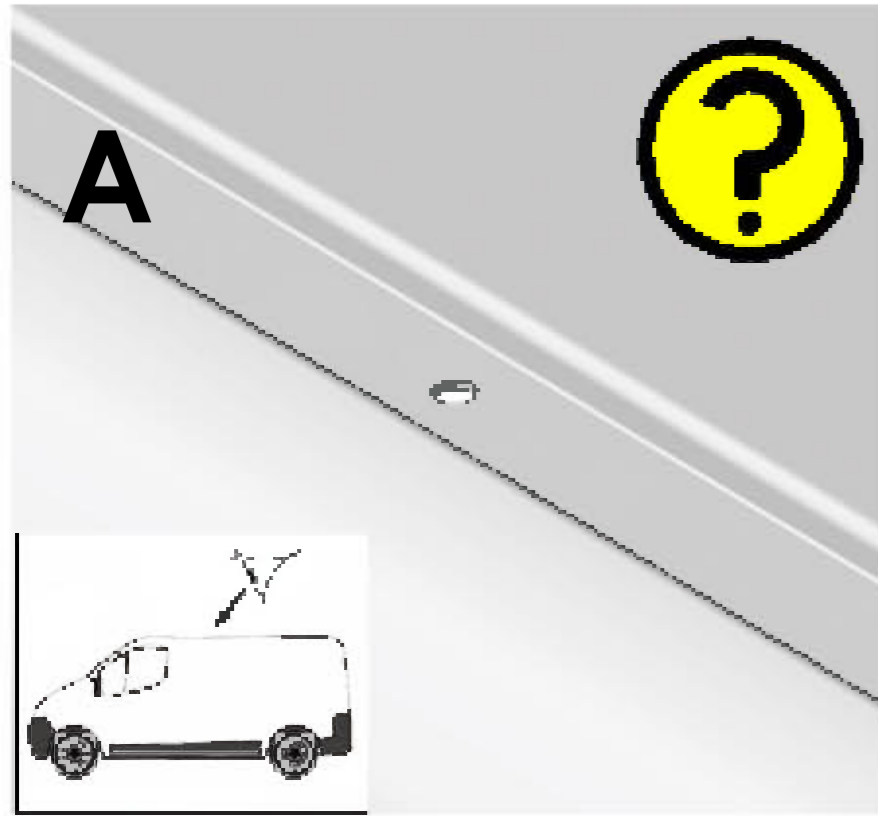


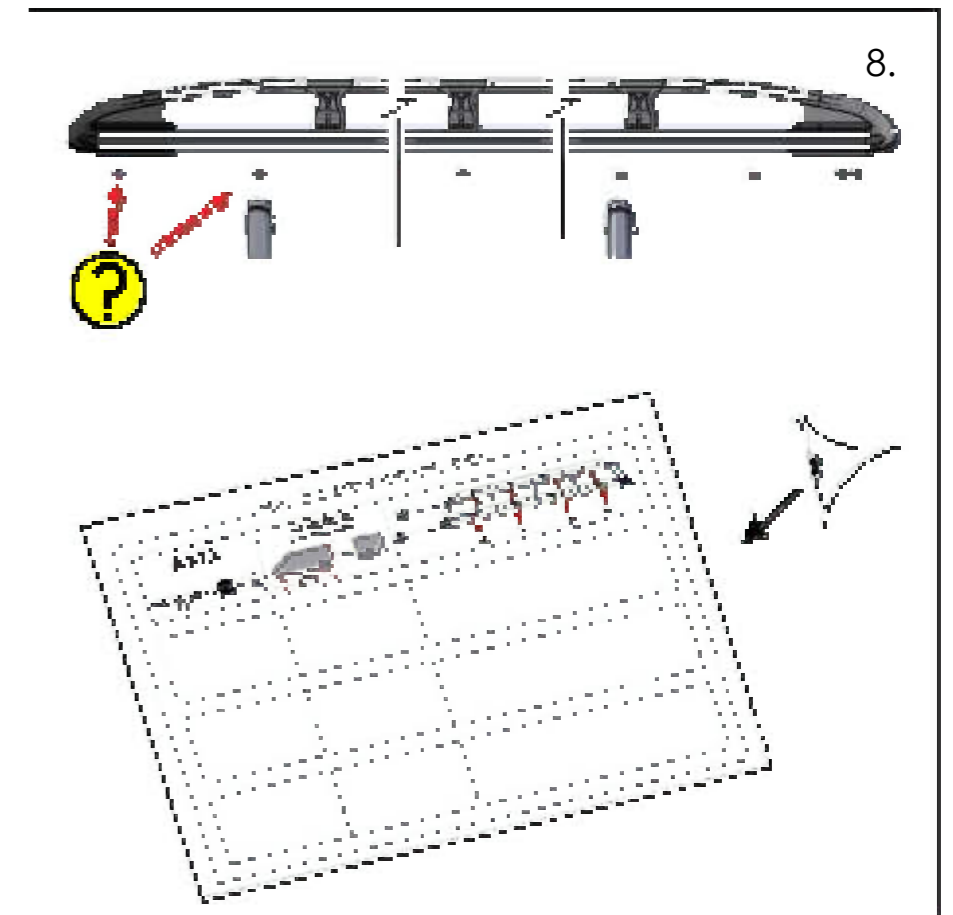
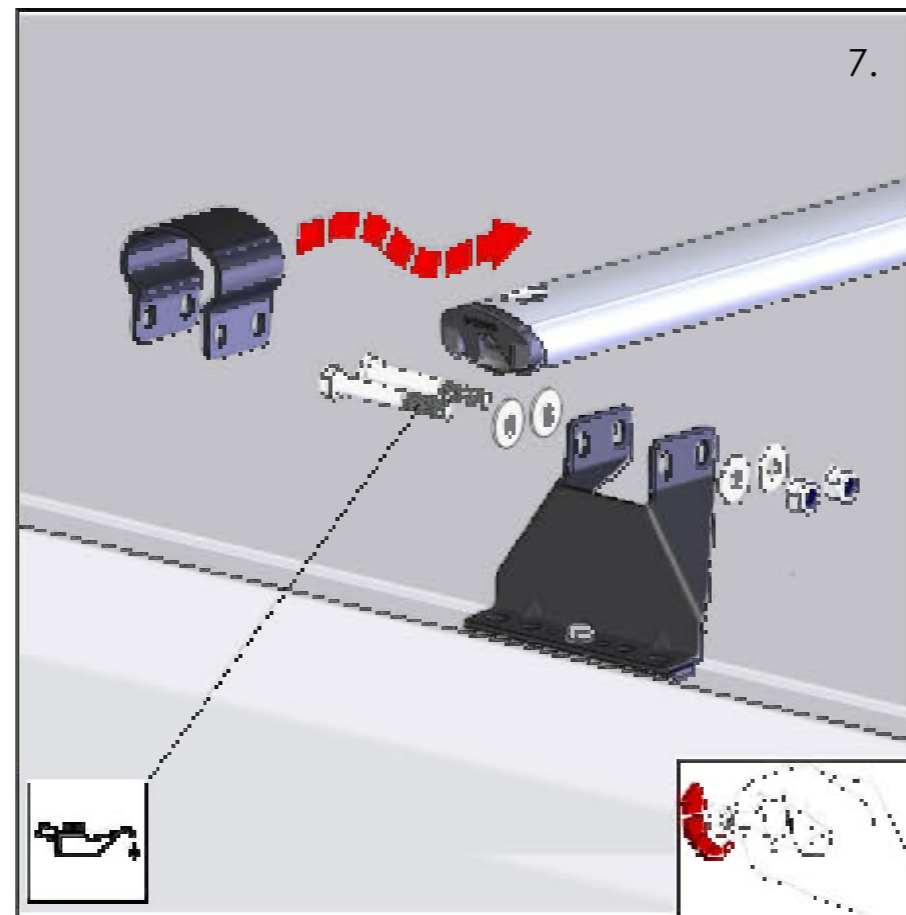
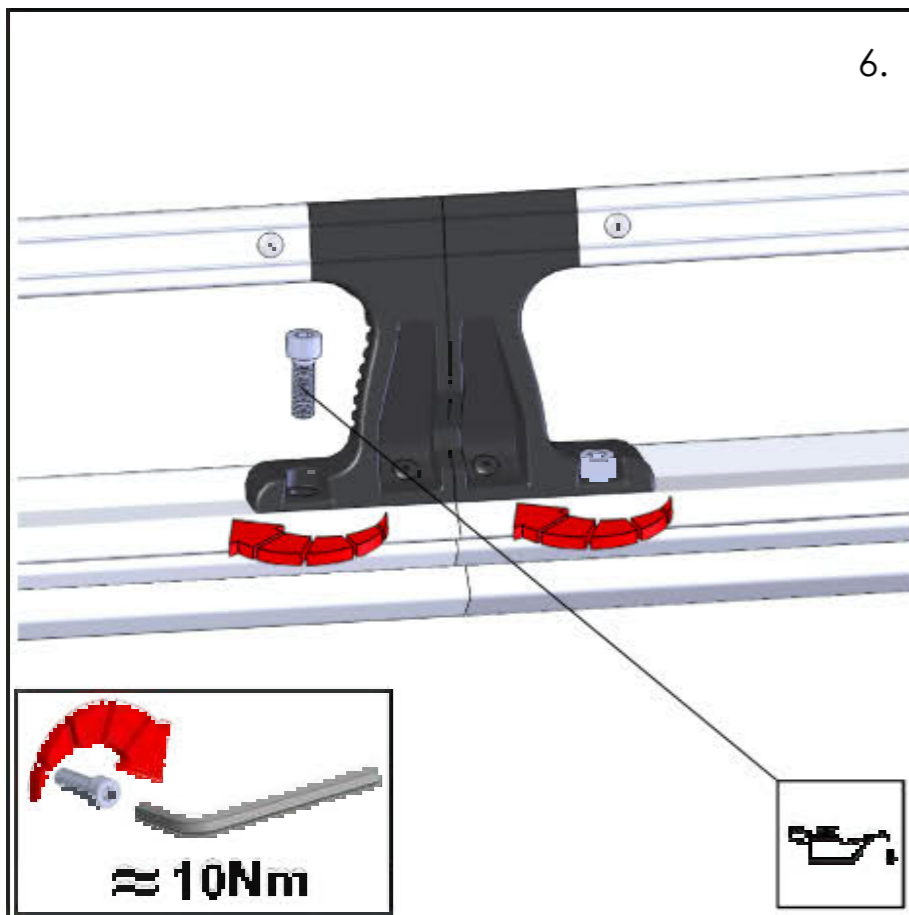
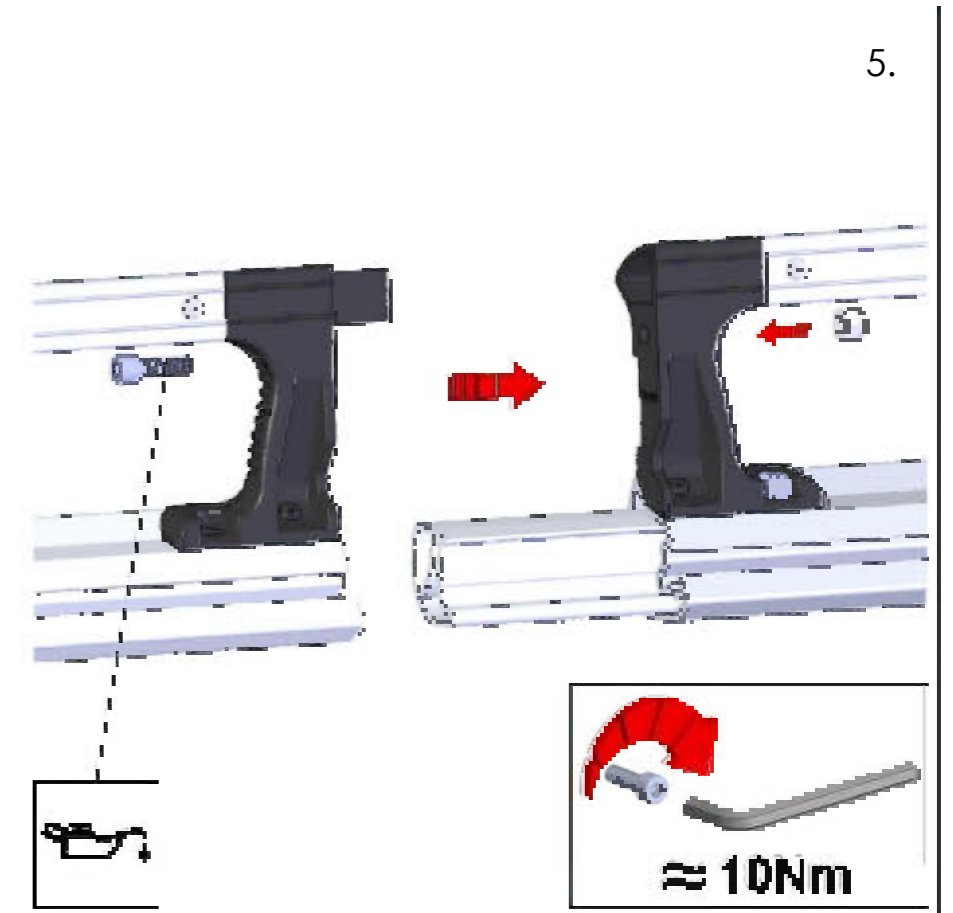
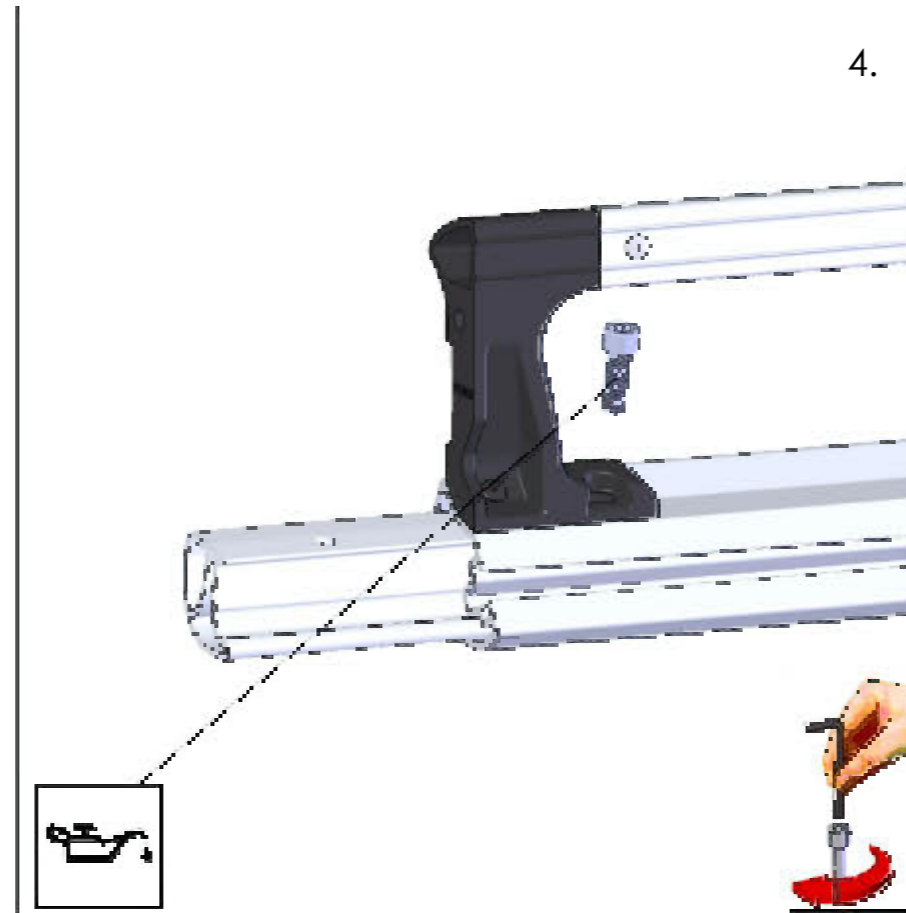
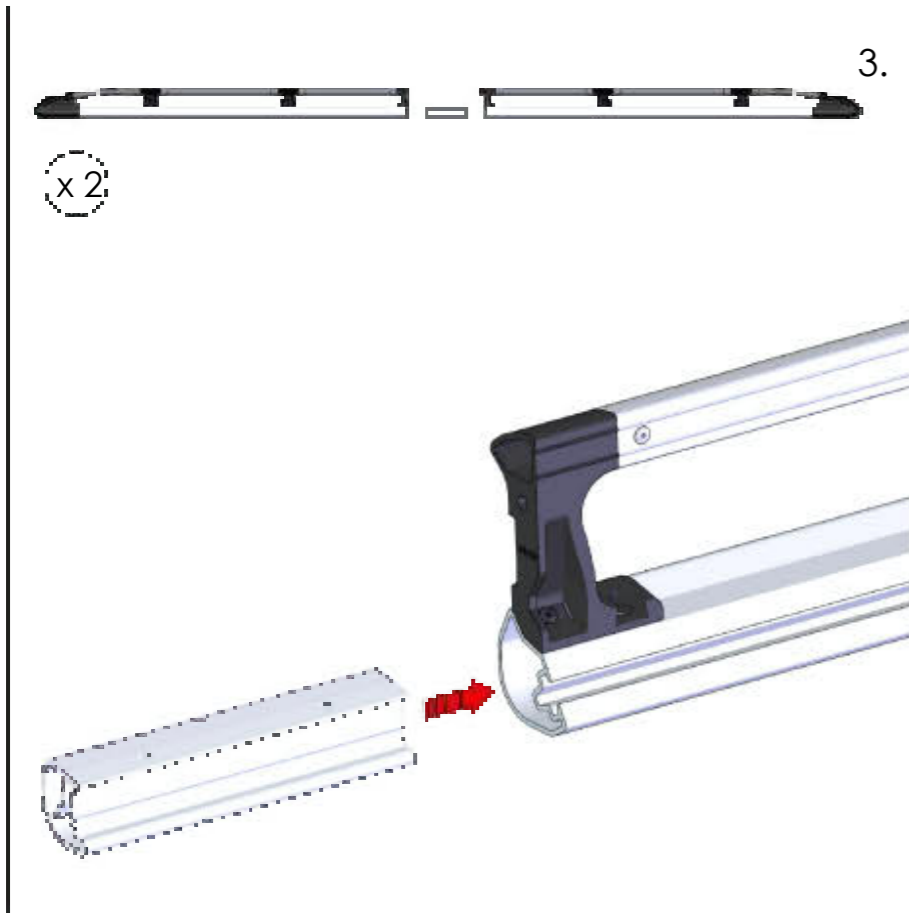
FT01 x 1



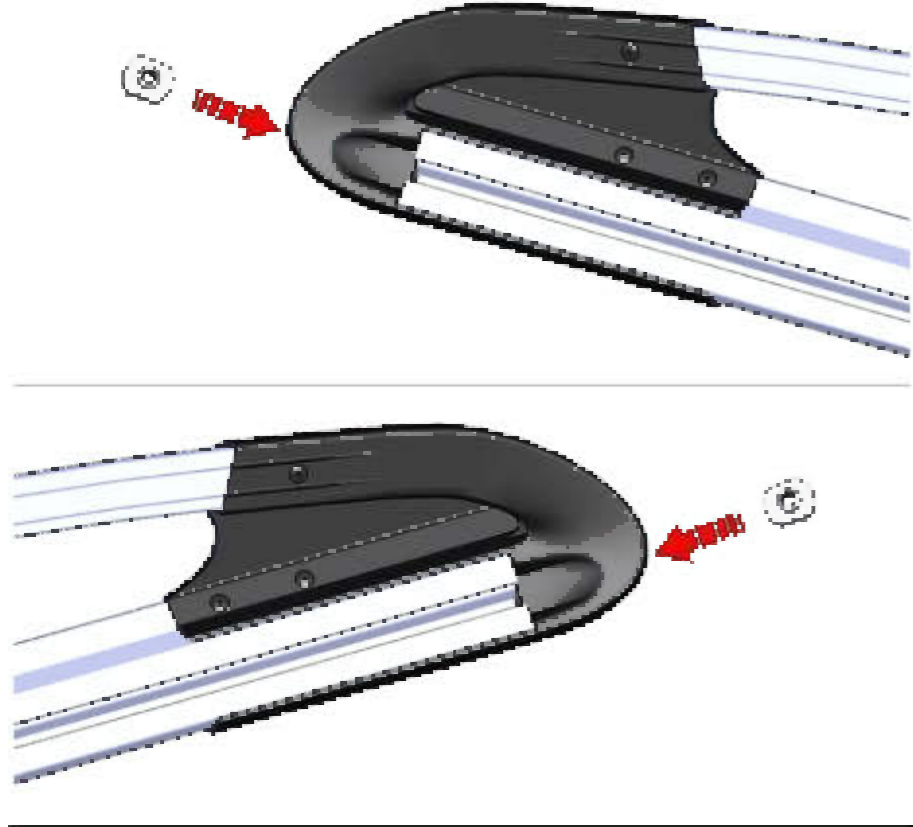
13mm x 2



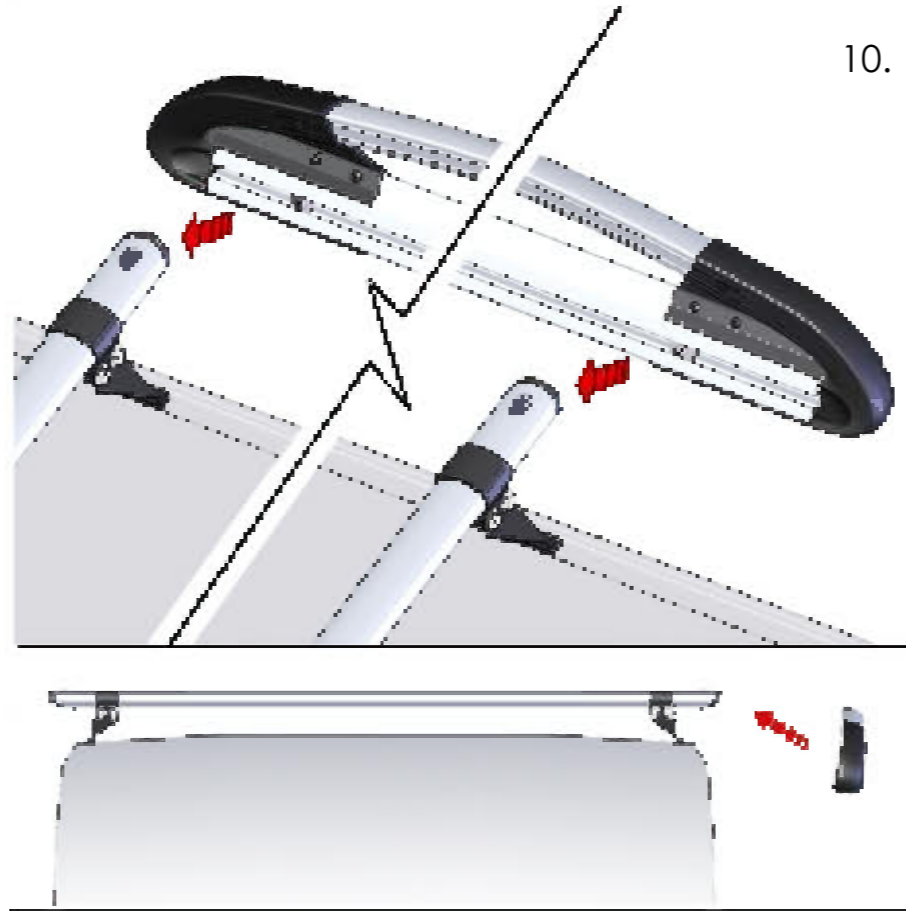




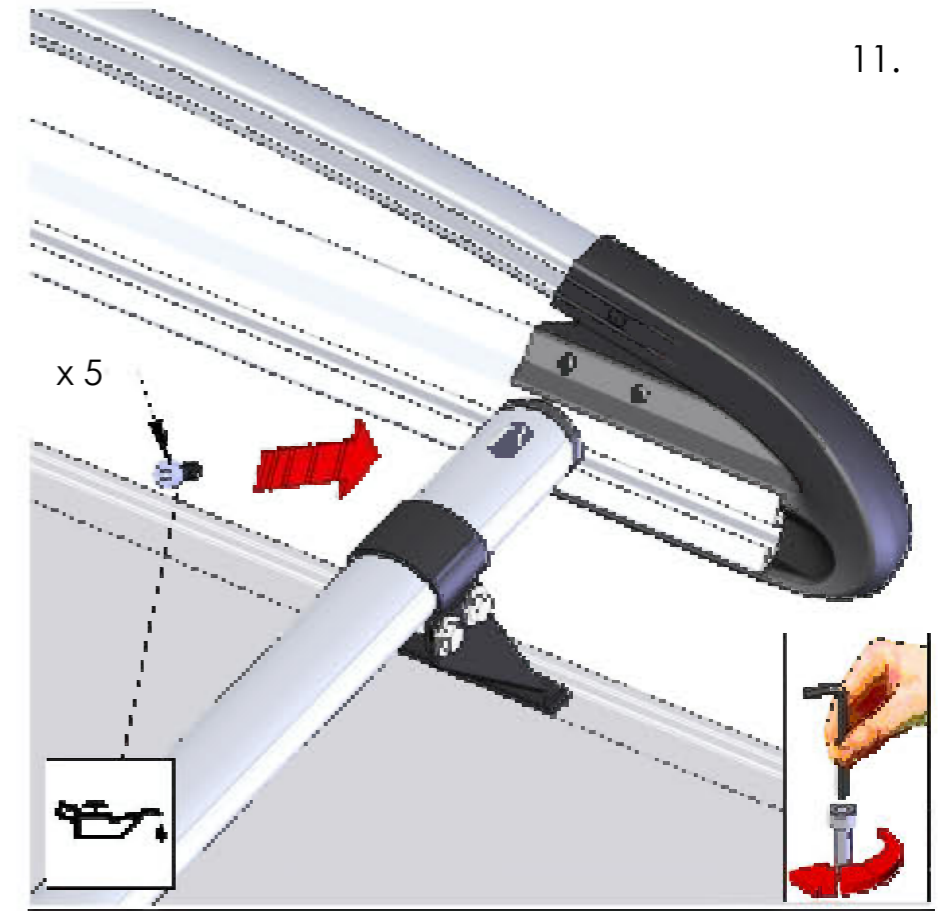
9.



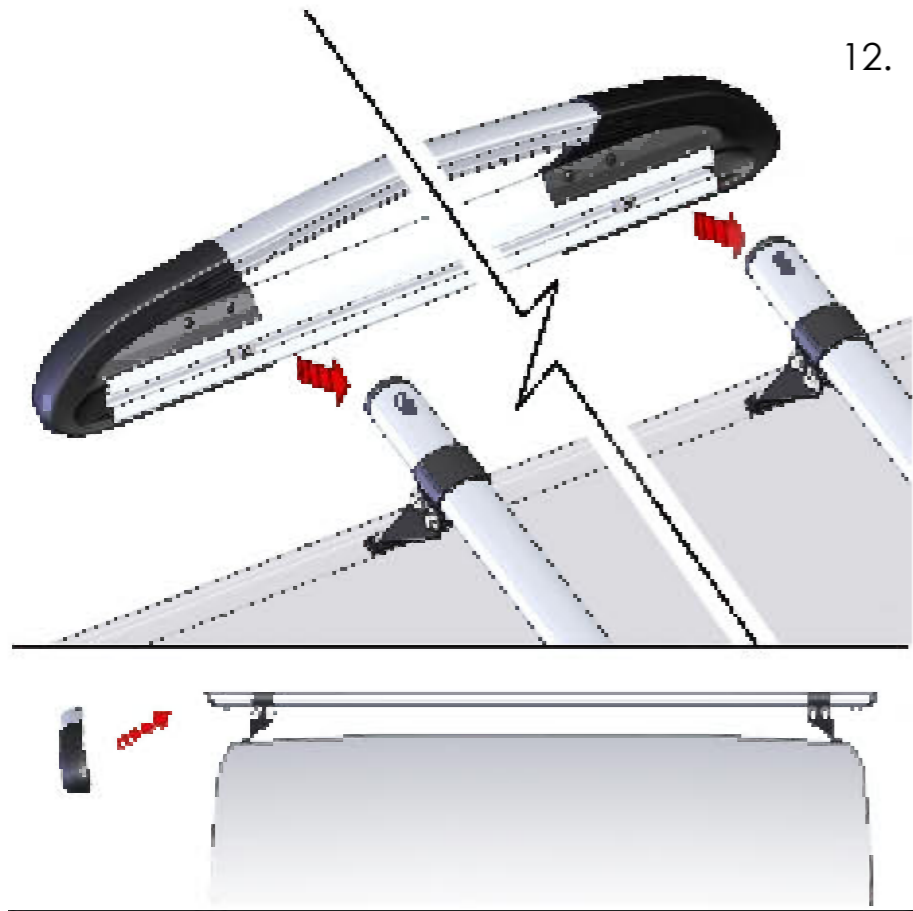
10.



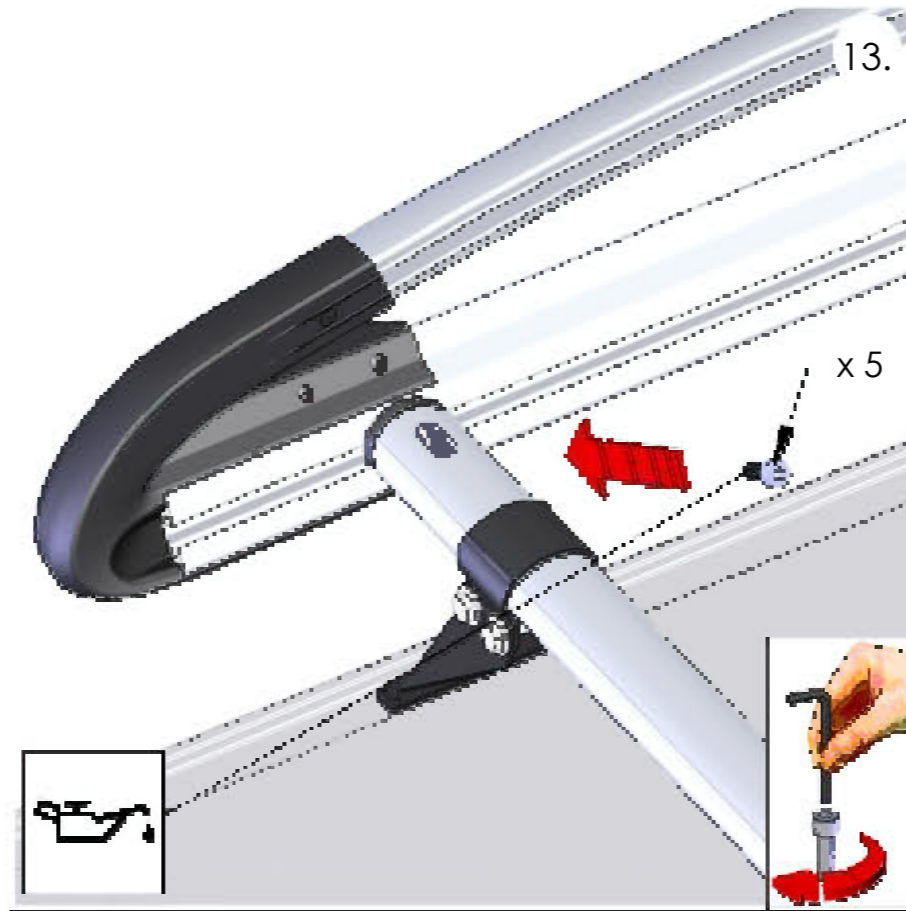
11.



12.



13.



14.

