



MS201 x 8



MS168 x 4

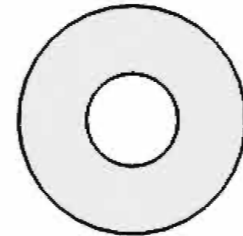


MS199 x 4

(1:1)



FB003 (M8 x 65) x 16



FW002 (M8) x 32

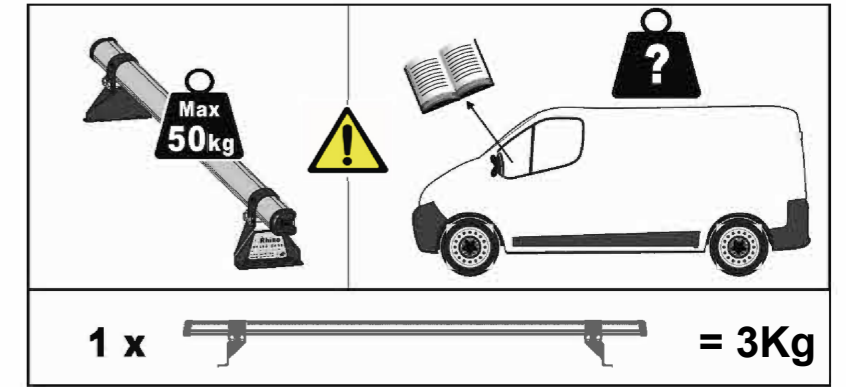


FN006 (M8) x 16

T54D (M6 x 20) x ?

T54D (M6) x ?

T54D (M6) x ?



10mm x 1



13mm x 2

