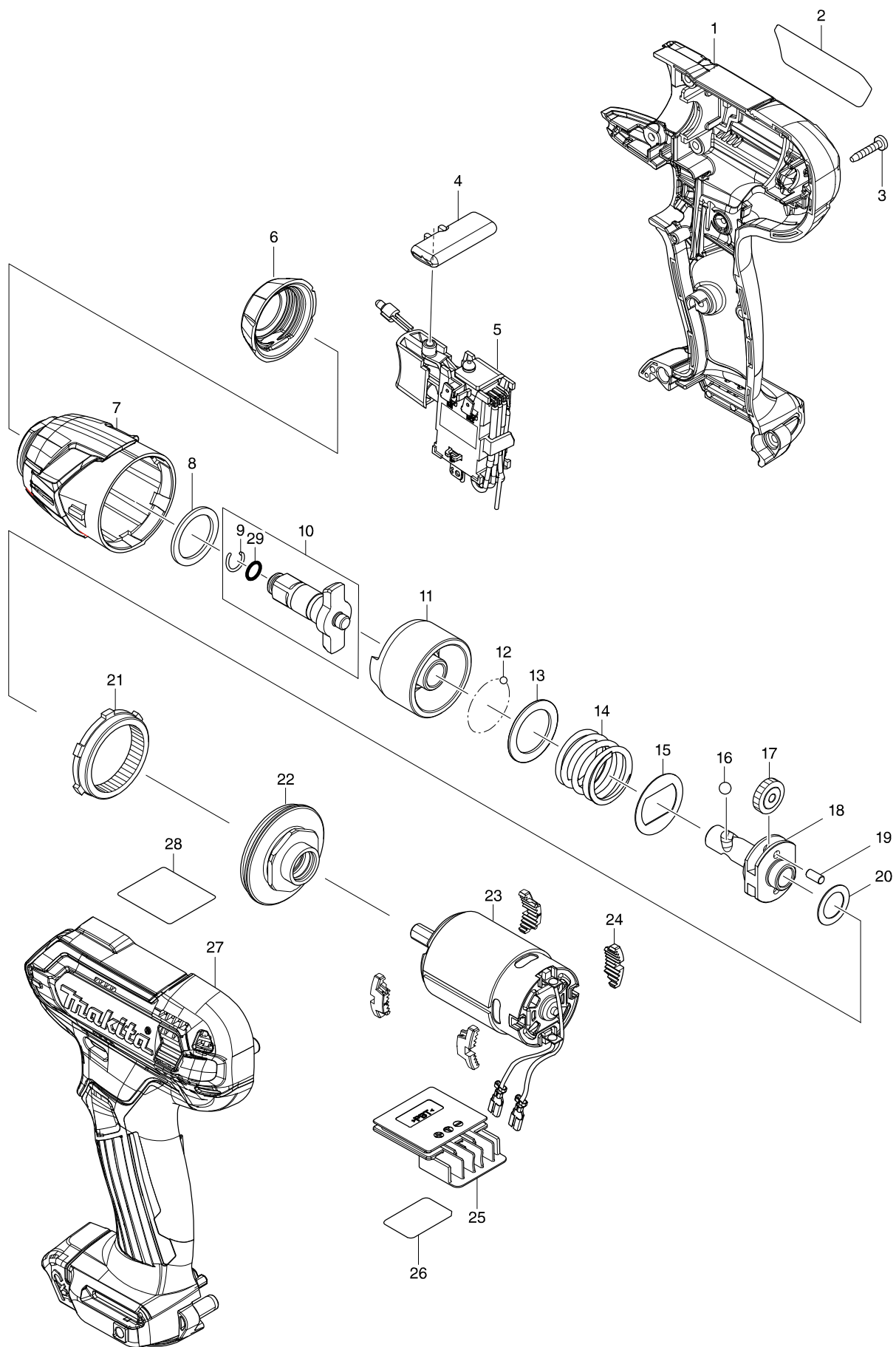


# model TW140D CORDLESS IMPACT WRENCH



# model TW140D CORDLESS IMPACT WRENCH

pagina 1 / 2

| cod  | cod piesa | descriere                | inters | cantitat | N/O | optiunea 1 | optiunea 2 | nota |
|------|-----------|--------------------------|--------|----------|-----|------------|------------|------|
| 001  | 183J75-5  | HOUSING SET              |        | 1        |     |            |            |      |
| C10  | 252126-6  | HEX. LOCKING NUT M4-7    |        | 2        |     |            |            |      |
| D10  |           | INC. 27                  |        |          |     |            |            |      |
| 002  | 854M38-3  | TW140D NAME PLATE        |        | 1        |     |            |            |      |
| 003  | 266429-2  | TAPPING SCREW 3X16       |        | 8        |     |            |            |      |
| 004  | 456039-5  | F/R CHANGE LEVER         |        | 1        |     |            |            |      |
| 005  | 632M05-6  | SWITCH UNIT              |        | 1        |     |            |            |      |
| 006  | 422228-4  | BUMPER                   |        | 1        |     |            |            |      |
| 007  | 140B03-5  | HAMMER CASE COMPLETE     |        | 1        |     |            |            |      |
| 008  | 261140-1  | NYLON WASHER 20          |        | 1        |     |            |            |      |
| 009  | 233943-3  | RING SPRING 8            |        | 1        |     |            |            |      |
| 010  | 135932-3  | ANVIL ASS'Y              |        | 1        |     |            |            |      |
| D10  |           | INC. 9,29                |        |          |     |            |            |      |
| 011  | 324894-2  | HAMMER                   |        | 1        |     |            |            |      |
| 012  | 216019-1  | STEEL BALL 3             |        | 24       |     |            |            |      |
| 013  | 267380-9  | FLAT WASHER 20           |        | 1        |     |            |            |      |
| 014  | 234064-4  | COMPRESSION SPRING 21    |        | 1        |     |            |            |      |
| 015  | 267813-4  | WASHER 21                |        | 1        |     |            |            |      |
| 016  | 216002-8  | STEEL BALL 4.8           |        | 2        |     |            |            |      |
| 017  | 226190-3  | SPUR GEAR 18             |        | 2        |     |            |            |      |
| 018  | 327127-4  | SPINDLE                  |        | 1        |     |            |            |      |
| 019  | 268217-3  | PIN 3.5                  |        | 2        |     |            |            |      |
| 020  | 253052-2  | FLAT WASHER 12           |        | 1        |     |            |            |      |
| 021  | 226191-1  | INTERNAL GEAR 45         |        | 1        |     |            |            |      |
| 022  | 140B04-3  | BEARING BOX COMPLETE     |        | 1        |     |            |            |      |
| C10  | 213188-9  | O-RING 13                |        | 1        |     |            |            |      |
| 023  | 632L97-9  | MOTOR COMPLETE           |        | 1        |     |            |            |      |
| 024  | 422273-9  | CUSHION                  |        | 4        |     |            |            |      |
| 025  | 644813-5  | TERMINAL                 |        | 1        |     |            |            |      |
| 026  | 854M45-6  | TW140D SERIAL NO. LABEL  |        | 1        |     |            |            |      |
| 027  | 183J75-5  | HOUSING SET              |        | 1        |     |            |            |      |
| C10  | 252126-6  | HEX. LOCKING NUT M4-7    |        | 2        |     |            |            |      |
| D10  |           | INC. 1                   |        |          |     |            |            |      |
| 029  | 213960-9  | O RING 5                 |        | 1        |     |            |            |      |
| A01  | 266622-8  | + TRUSS HEAD SCREW M4X12 |        | 1        |     |            |            |      |
| A02  | 346909-5  | HOOK                     |        | 1        |     |            |            |      |
| A03B | 821661-1  | PLASTIC CARRYING CASE    |        | 1        |     |            |            |      |
| C10  | 417724-5  | LATCH                    |        | 2        |     |            |            |      |
| A03C | 821661-1  | PLASTIC CARRYING CASE    |        | 1        |     |            |            |      |
| C10  | 417724-5  | LATCH                    |        | 2        |     |            |            |      |
| A03D | 821661-1  | PLASTIC CARRYING CASE    |        | 1        |     |            |            |      |
| C10  | 417724-5  | LATCH                    |        | 2        |     |            |            |      |
| A07B | ***DC10WC | DC10WC BATTERY CHARGER   |        | 1        |     |            |            |      |
| D10  |           | COMPO-PARTS              |        |          |     |            |            |      |
| A07C | ***DC10WC | DC10WC BATTERY CHARGER   |        | 1        |     |            |            |      |
| D10  |           | COMPO-PARTS              |        |          |     |            |            |      |
| A07D | ***DC10SA | DC10SA BATTERY CHARGER   |        | 1        |     |            |            |      |
| D10  |           | COMPO-PARTS              |        |          |     |            |            |      |

