

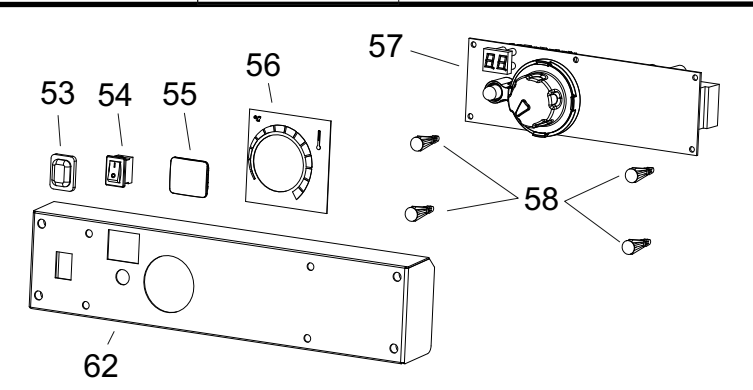
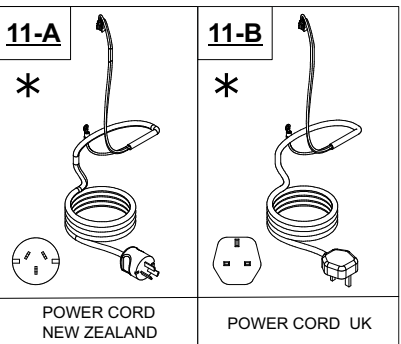
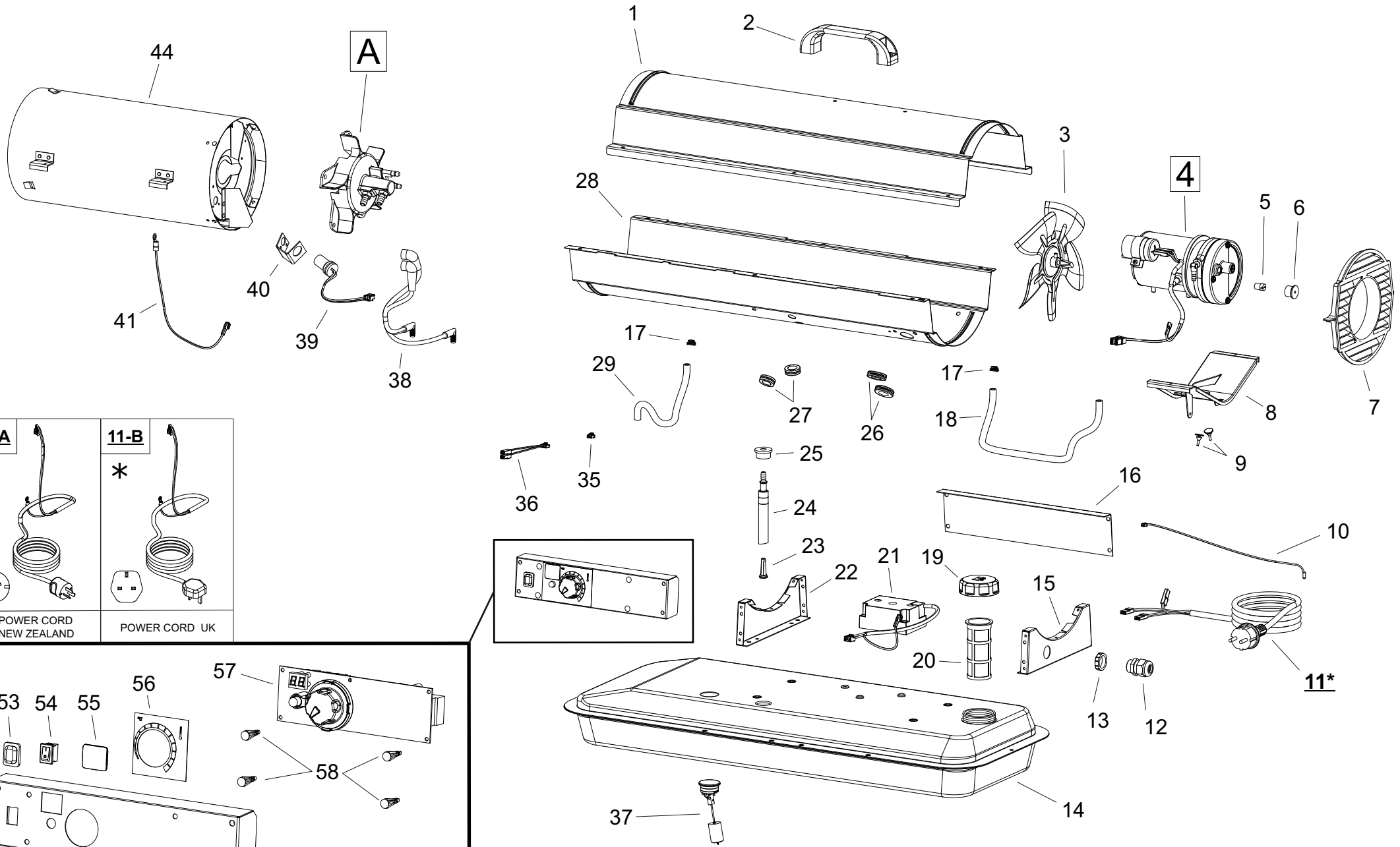
MODEL REM 12CEL

UNIT 1

ILLUSTRATED PARTS BREAKDOWN

From Serial Number: 05135000724

Rev.G - SEPT. 2015



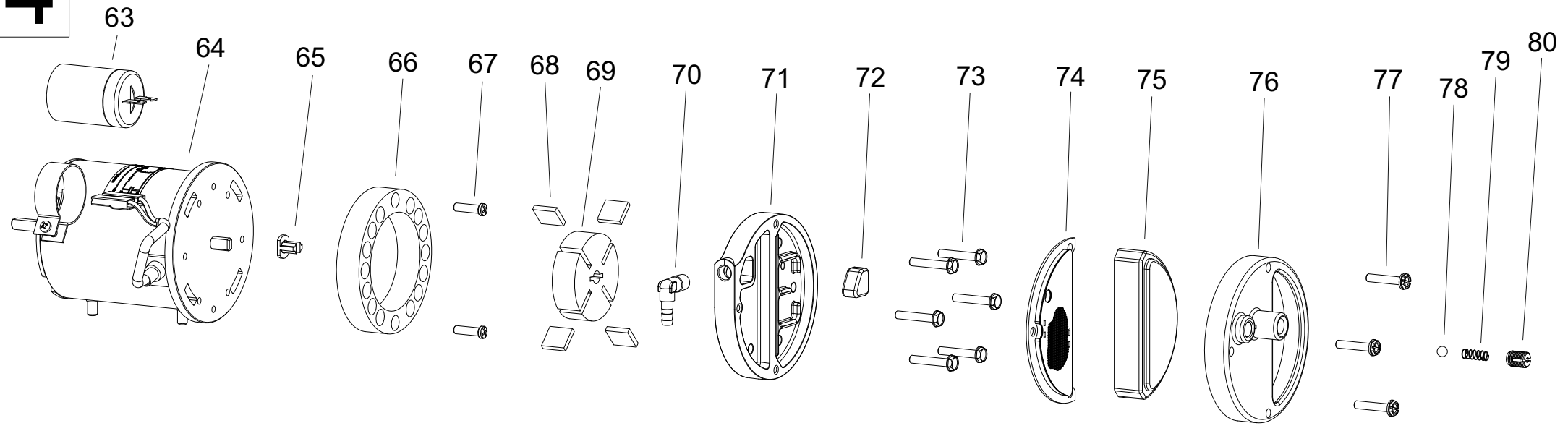
MODEL REM 12CEL

UNIT 2

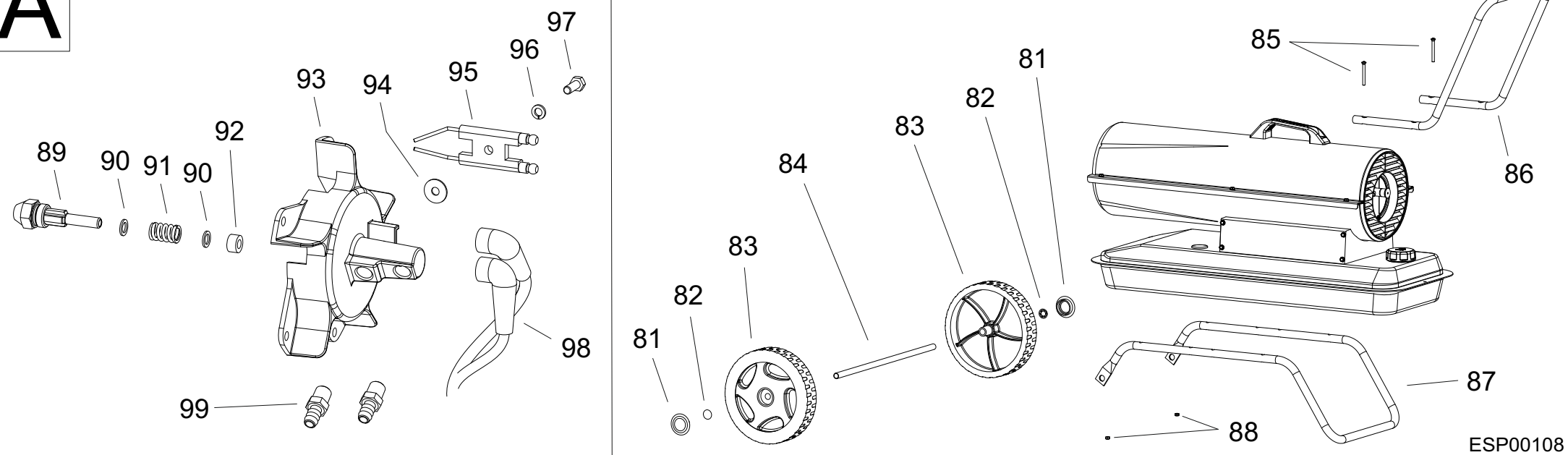
ILLUSTRATED PARTS BREAKDOWN

4

MOTOR-PUMP COMPLETE - COD. 4110.429



A



MODEL REM 12CEL

UNIT 3

PARTS LIST

Pos.	Code	Description	Rev.G - SEPT. 2015
1	4110.474	UPPER SHELL	
2	4162.893	HANDLE	
3	4110.414	FAN	
4	4110.429	MOTOR-PUMP COMPLETE	
5	4102.125	PRESSURE SCREW	
6	4100.666	PRESSURE CAP	
7	4103.685	INLET GRID	
8	4110.187	MOTOR BRACKET	
9	4150.553	BUMPER	
10	4220.119	TEMPERATURE SONDE WIRE	
11	4160.539	POWER CORD SCHUKO	
11-A	4111.748	POWER CORD NEW ZEALAND	
11-B	4160.540	POWER CORD UK	
12	4150.528	STRAIN RELIEF	
13	4100.656	NUT	
14	4111.844	TANK	
15	4101.024	REAR SUPPORT	
16	4106.210	LATERAL PANEL	
17	4110.159	BIFILAR CLAMP	
18	4104.147	AIR PIPE	
19	4100.052	TANK CAP	
20	4290.239	TANK FILTER	
21	4111.885	HIGH TENSION TRANSFORMER	
22	4110.113	FRONT SUPPORT	
23	4110.356	FUEL FILTER	
24	4110.391	FUEL PIPE	
25	4100.541	RUBBER BUSHING	
26	4160.646	STRAIN RELIEF	
27	4101.151	STRAIN RELIEF	
28	4100.150	LOWER SHELL	
29	4110.032	FUEL PIPE VALVE-NOZZLE	
35	4220.120	BRIDGE WIRE	
36	4220.167	SWITCH WIRE	
37	4260.006	FUEL GAUGE	
38	4111.831	HIGH TENSION WIRES	
39	4220.115	PHOTOCELL	
40	4100.658	PHOTOCELL BRACKET	
41	4109.894	GROUND COMBUSTION CHAMBER WIRE	
44	4110.579	COMBUSTION CHAMBER	
53	4104.336	SWITCH COVER	
54	4106.179	SWITCH	
55	4201.068	DISPLAY COVER	
56	4106.032	CONTROL PANEL LABEL	
57	4220.170	PC-BOARD	
58	4101.021	PC-BOARD SPACER	
62	4101.032	CONTROL PANEL	

MODEL REM 12CEL

UNIT 4

PARTS LIST

Pos.	Code	Description	Rev.G - SEPT. 2015
63	4111.854	CAPACITOR	
64	4111.851	MOTOR	
65	4108.635	MOTOR COUPLING	
66	4110.068	PUMP BODY	
67	4110.302	SCREW	
68	4101.200	ROTOR BLADE	
69	4108.627	ROTOR	
70	4161.497	90° CONNECTION	
71	4110.411	OIL PUMP ALUMINIUM PLATE	
72	4109.716	INTERNAL AIR FILTER	
73	4108.536	SCREW	
74	4109.708	OUTLET AIR FILTER	
75	4109.690	INLET AIR FILTER	
76	4109.674	CLOSING PLATE	
77	4108.528	SCREW	
78	4108.379	SPHERE	
79	4102.141	SPRING	
80	4102.133	REGULATION SCREW	
81	4110.129	WHEEL CAP	
82	4110.162	BLOCK WASHER	
83	4110.084	WHEEL	
84	4111.208	WHEELS AXLE	
85	4110.518	SCREW	
86	4111.212	HANDLE	
87	4111.210	WHEELS SUPPORT	
88	4032.703	NUT	
89	4103.486	NOZZLE	
90	4100.525	WASHER	
91	4100.533	SPRING	
92	4101.622	SLEEVE	
93	4110.399	BURNER HEAD	
94	4110.394	FIBER WASHER	
95	4110.337	BIFILAR ELECTRODE	
96	4110.393	ELASTIC WASHER	
97	4110.363	SCREW	
98	4111.831	HIGH TENSION CABLES	
99	4104.118	CONNECTION STRAIGHT	

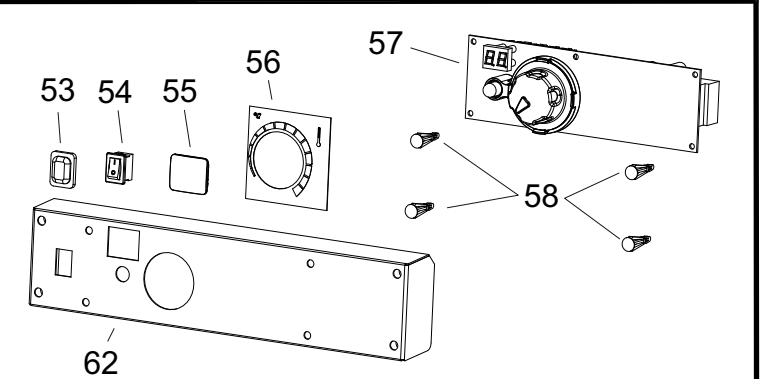
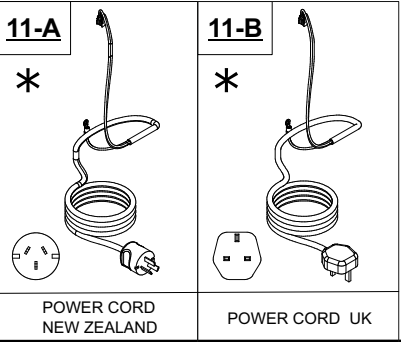
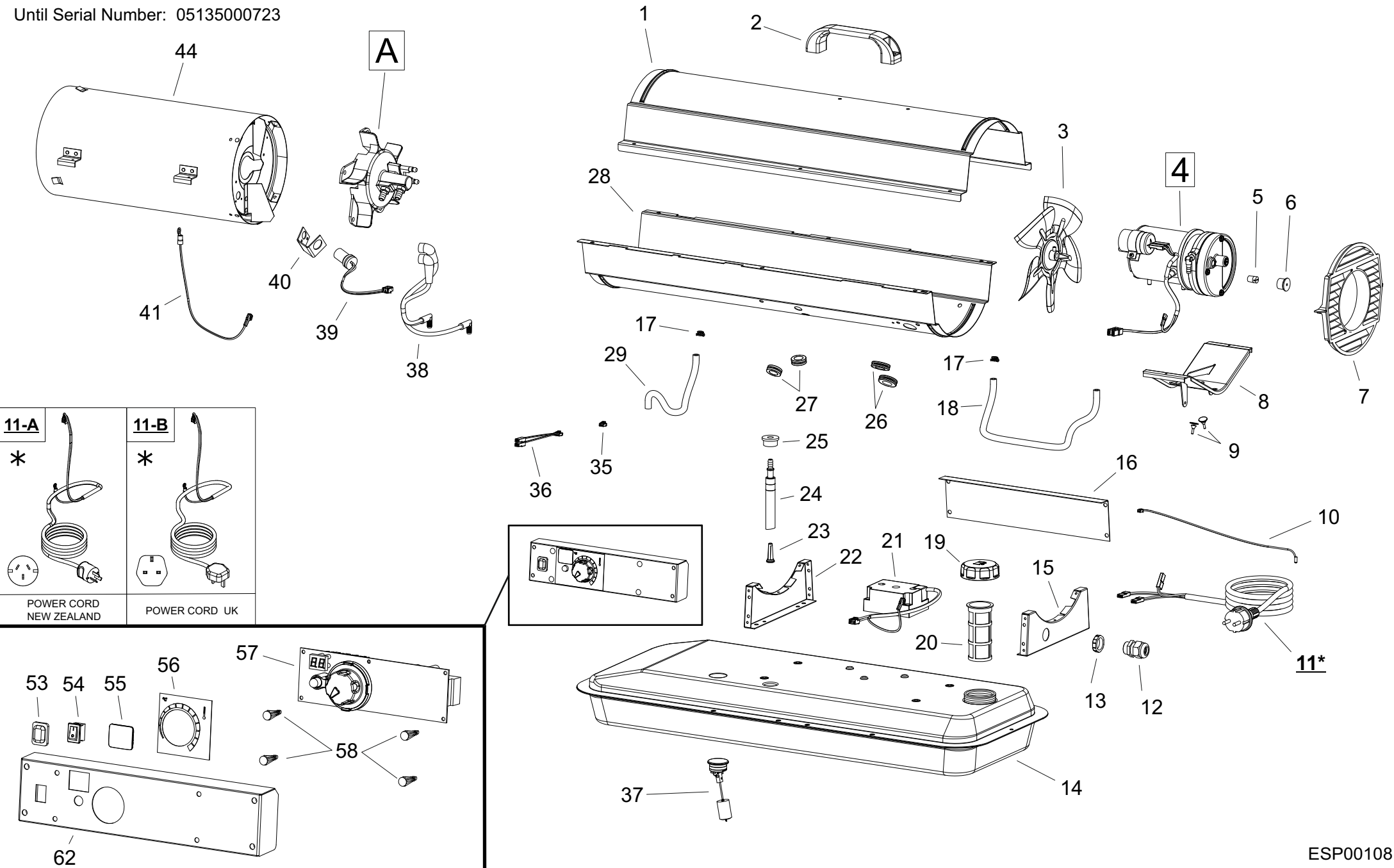
MODEL REM 12CEL

UNIT 1

ILLUSTRATED PARTS BREAKDOWN

From Serial Number: 134011877
Until Serial Number: 0513500723

Rev.F - Nov. 2014



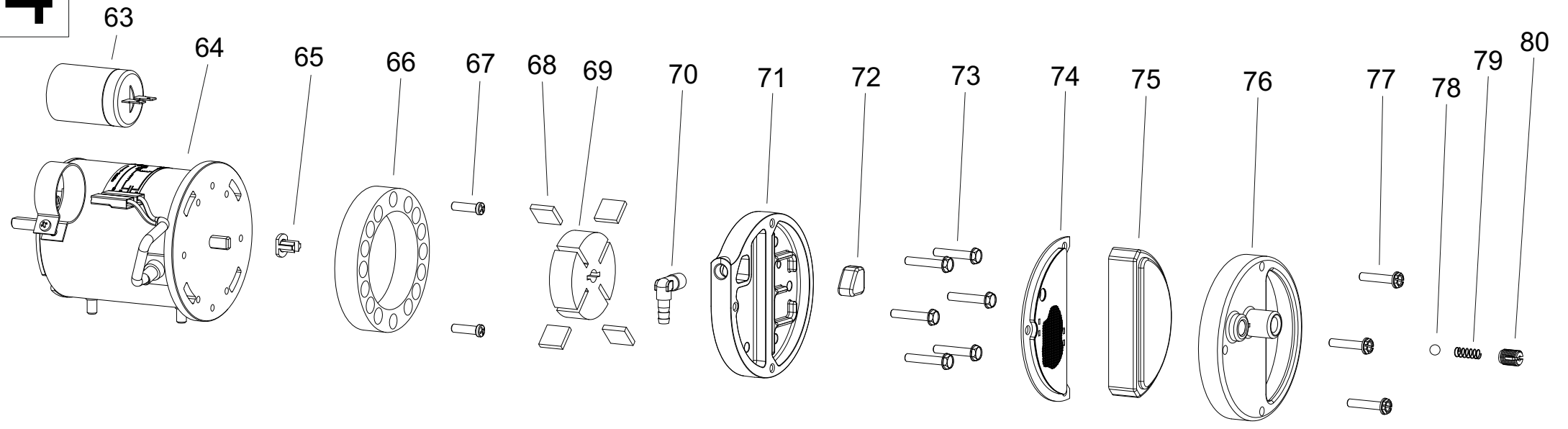
MODEL REM 12CEL

UNIT 2

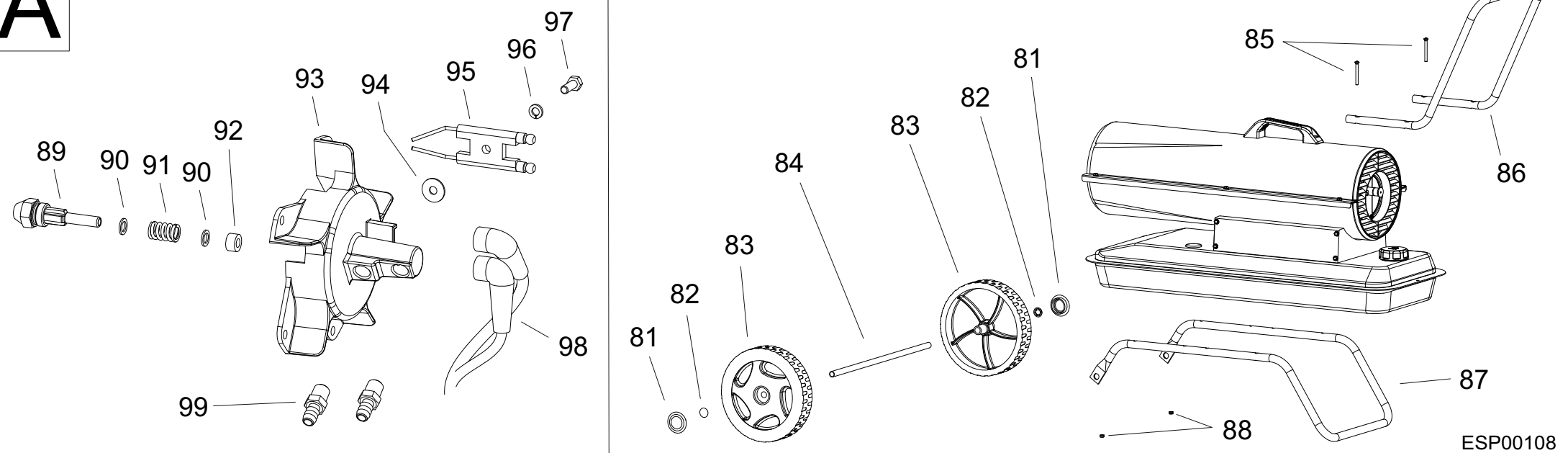
ILLUSTRATED PARTS BREAKDOWN

4

MOTOR-PUMP COMPLETE - COD. 4110.429



A



MODEL REM 12CEL

UNIT 3

PARTS LIST

Pos.	Code	Description	Rev.F - Nov. 2014
1	4110.474	UPPER SHELL	
2	4162.893	HANDLE	
3	4110.414	FAN	
4	4110.120	MOTOR-PUMP COMPLETE	
5	4102.125	PRESSURE SCREW	
6	4100.666	PRESSURE CAP	
7	4103.685	INLET GRID	
8	4110.187	MOTOR BRACKET	
9	4150.553	BUMPER	
10	4220.119	TEMPERATURE SONDE WIRE	
11	4160.539	POWER CORD SCHUKO	
11-A	4111.748	POWER CORD NEW ZEALAND	
11-B	4160.540	POWER CORD UK	
12	4150.528	STRAIN RELIEF	
13	4100.656	NUT	
14	4111.844	TANK	
15	4101.024	REAR SUPPORT	
16	4106.210	LATERAL PANEL	
17	4110.159	BIFILAR CLAMP	
18	4104.147	AIR PIPE	
19	4100.052	TANK CAP	
20	4290.026	TANK FILTER	
21	4101.019	HIGH TENSION TRANSFORMER	
22	4110.113	FRONT SUPPORT	
23	4110.356	FUEL FILTER	
24	4110.391	FUEL PIPE	
25	4100.541	RUBBER BUSHING	
26	4160.646	STRAIN RELIEF	
27	4101.151	STRAIN RELIEF	
28	4100.150	LOWER SHELL	
29	4110.032	FUEL PIPE VALVE-NOZZLE	
35	4220.120	BRIDGE WIRE	
36	4220.167	SWITCH WIRE	
37	4260.006	FUEL GAUGE	
38	4111.831	HIGH TENSION WIRES	
39	4220.115	PHOTOCELL	
40	4100.658	PHOTOCELL BRACKET	
41	4109.894	GROUND COMBUSTION CHAMBER WIRE	
44	4110.579	COMBUSTION CHAMBER	
53	4104.336	SWITCH COVER	
54	4106.179	SWITCH	
55	4201.068	DISPLAY COVER	
56	4106.032	CONTROL PANEL LABEL	
57	4220.170	PC-BOARD	
58	4101.021	PC-BOARD SPACER	
62	4101.032	CONTROL PANEL	

MODEL REM 12CEL

UNIT 4

PARTS LIST

Pos.	Code	Description	Rev.F - Nov. 2014
63	4111.854	CAPACITOR	
64	4111.851	MOTOR	
65	4108.635	MOTOR COUPLING	
66	4110.068	PUMP BODY	
67	4110.302	SCREW	
68	4101.200	ROTOR BLADE	
69	4108.627	ROTOR	
70	4161.497	90° CONNECTION	
71	4110.411	OIL PUMP ALUMINIUM PLATE	
72	4109.716	INTERNAL AIR FILTER	
73	4108.536	SCREW	
74	4109.708	OUTLET AIR FILTER	
75	4109.690	INLET AIR FILTER	
76	4109.674	CLOSING PLATE	
77	4108.528	SCREW	
78	4108.379	SPHERE	
79	4102.141	SPRING	
80	4102.133	REGULATION SCREW	
81	4110.129	WHEEL CAP	
82	4110.162	BLOCK WASHER	
83	4110.084	WHEEL	
84	4111.208	WHEELS AXLE	
85	4110.518	SCREW	
86	4111.212	HANDLE	
87	4111.210	WHEELS SUPPORT	
88	4032.703	NUT	
89	4103.486	NOZZLE	
90	4100.525	WASHER	
91	4100.533	SPRING	
92	4104.622	SLEEVE	
93	4110.399	BURNER HEAD	
94	4110.394	FIBER WASHER	
95	4110.337	BIFILAR ELECTRODE	
96	4110.393	ELASTIC WASHER	
97	4110.363	SCREW	
98	4111.831	HIGH TENSION CABLES	
99	4104.118	CONNECTION STRAIGHT	

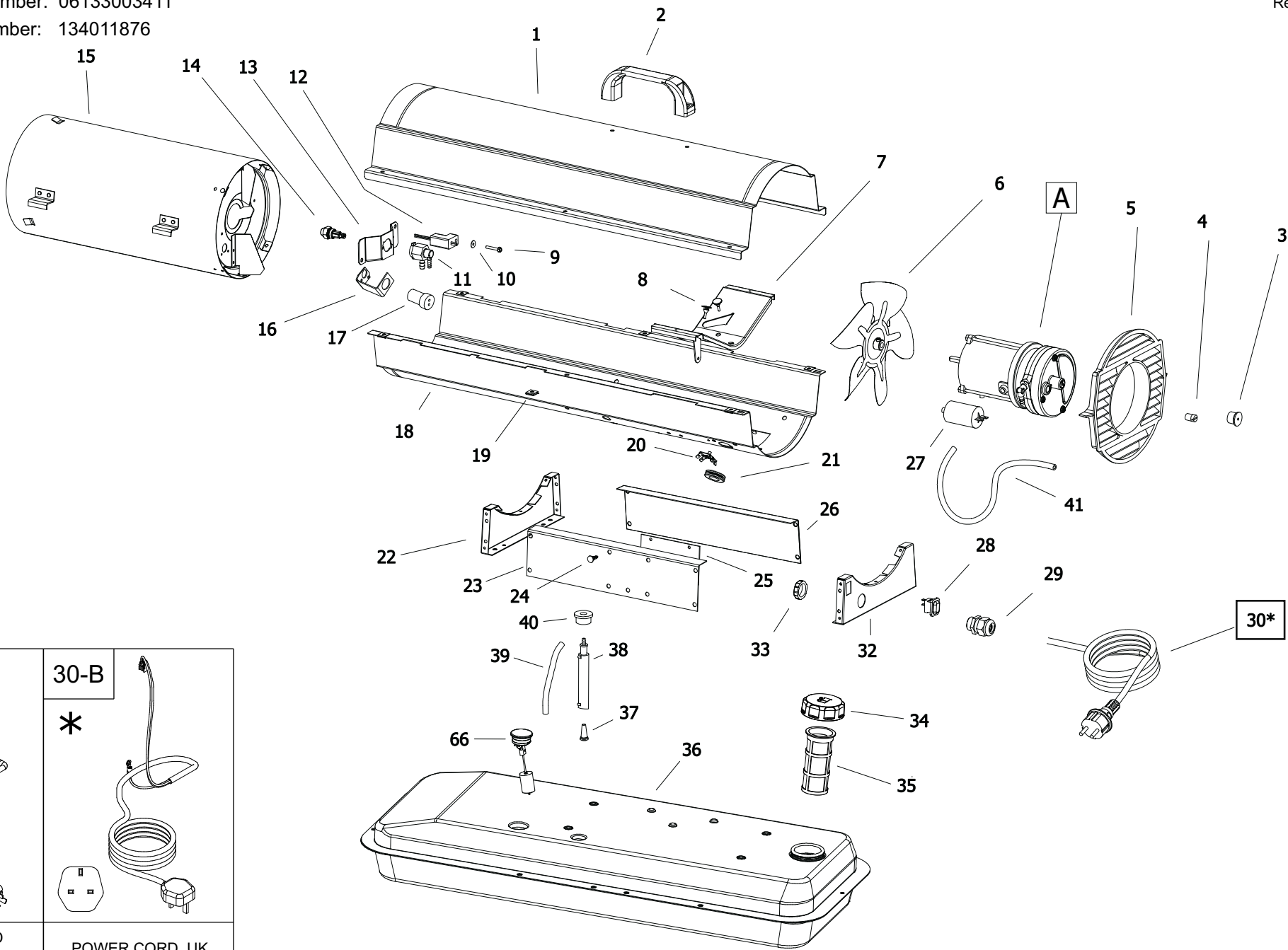
MODEL REM 12 CEL

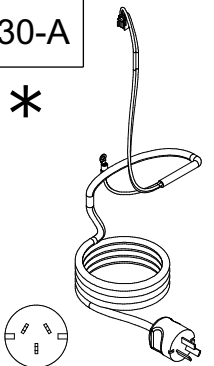
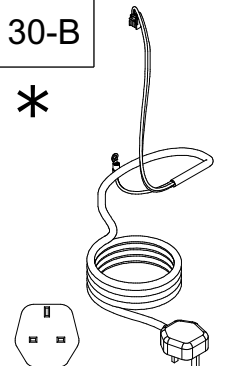
UNIT 1

ILLUSTRATED PARTS BREAKDOWN

From Serial Number: 06133003411
 Until Serial Number: 134011876

Rev E - May 2013



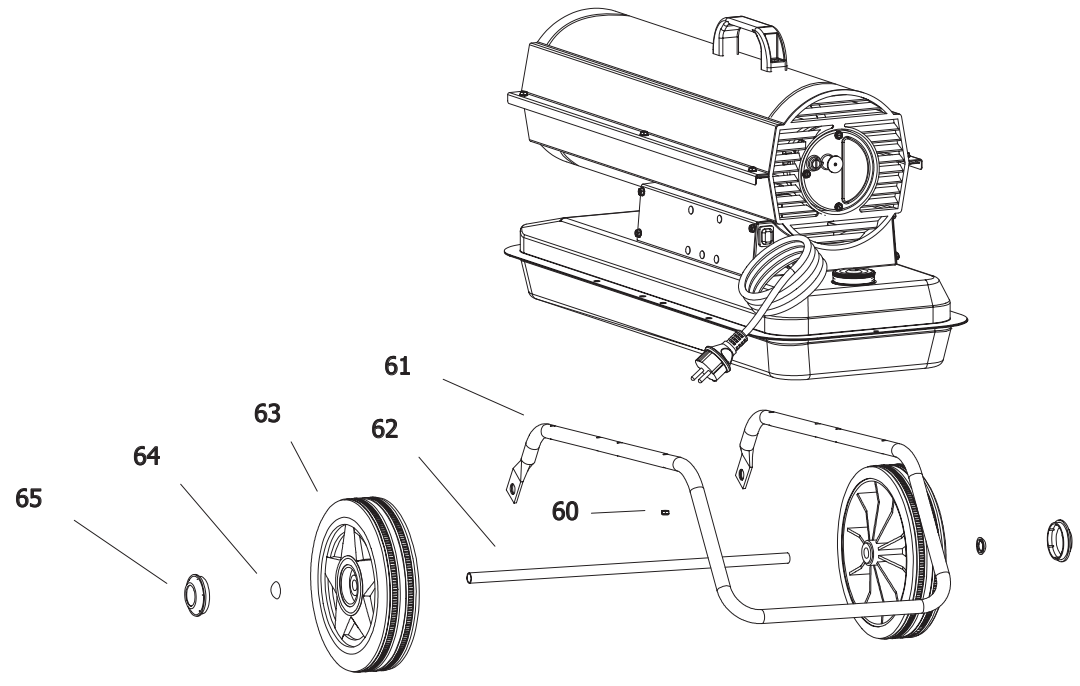
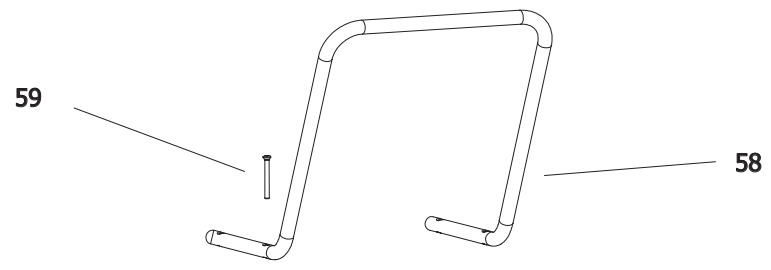
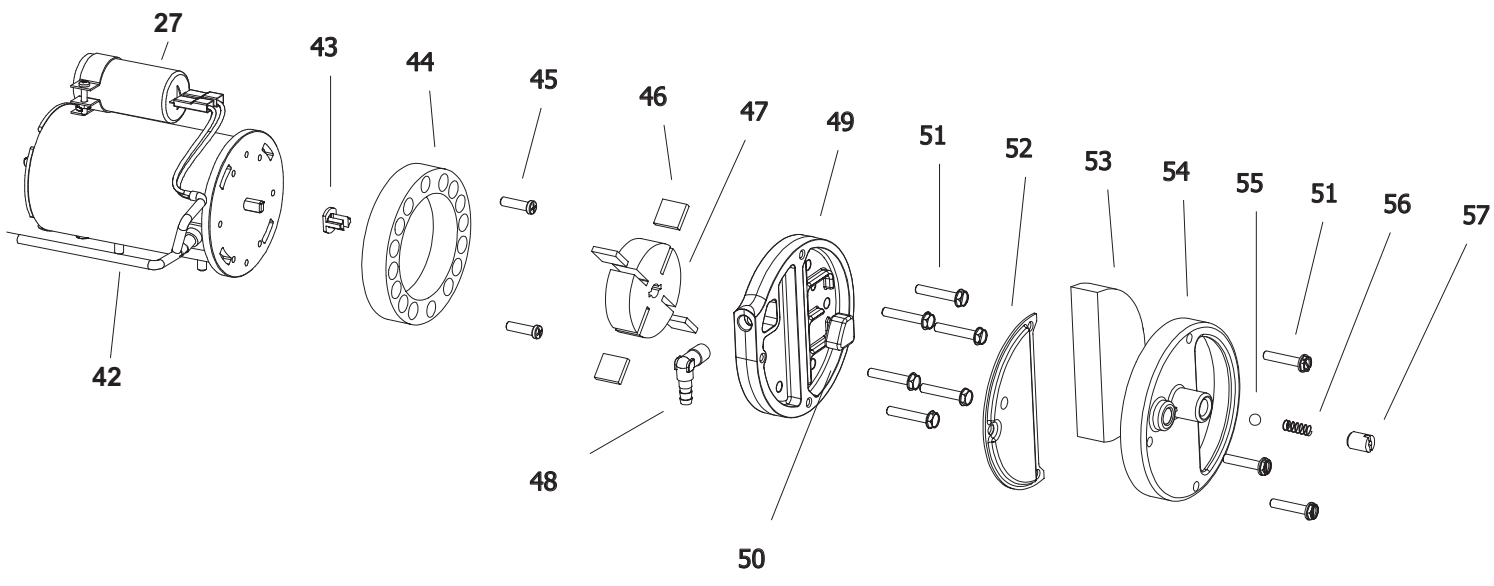
<p>30-A</p> <p>*</p> 	<p>30-B</p> <p>*</p> 
<p>POWER CORD NEW ZEALAND</p>	<p>POWER CORD UK</p>

MODEL REM 12 CEL

UNIT 2

ILLUSTRATED PARTS BREAKDOWN

A



MODEL REM 12 CEL

UNIT 3

PARTS LIST

Pos.	Code NR	Description	Rev. E - May 2013
1	4110.474	UPPER SHELL	
2	4162.893	PLASTIC HANDLE	
3	4100.666	COVER CAP	
4	4102.125	PRESSURE GAUGE CAP	
5	4103.685	FAN GUARD	
6	4110.414	FAN	
7	4110.187	MOTOR BRACKET	
8	4150.553	BUMPER	
9	4100.669	SCREW	
10	4100.660	WASHER	
11	4100.663	NOZZLE ADAPTER	
12	4110.081	IGNITOR	
13	4100.653	NOZZLE BRACKET	
14	4100.647	NOZZLE	
15	4110.126	COMBUSTION CHAMBER	
16	4100.658	PHOTOCELL BRACKET	
17	4103.590	PHOTOCELL ASSEMBLY	
18	4110.475	LOWER SHELL	
19	4104.170	CLIP NUT	
20	4110.134	NUT	
21	4160.646	CABLE PROTECTION	
22	4110.113	FORE FRAME BRACKET	
23	4106.211	CONTROL BOX SIDE PANEL	
24	4110.460	PC BOARD SUPPORT	
25	4162.907	IGNITION CONTROL ASSEMBLY	
26	4106.210	SIDE PANEL	
27	4111.854	CAPACITOR	<i>Alternative code: 4110.293</i>
28	4100.667	ON/OFF SWITCH	
29	4150.528	STRAIN RELIEF	
30	4110.451	POWER CORD	
30-A	4111.811	POWER CORD NEW ZEALAND	
30-B	4110.464	POWER CORD UK	
32	4110.114	REAR FRAME BRACKET	
33	4100.656	LOCKNUT	
34	4260.007	FUEL TANK CAP	
35	4290.026	FUEL TANK FILTER	
36	4110.384	FUEL TANK	
37	4110.356	FUEL FILTER	
38	4110.391	FUEL LINE	
39	4109.567	FUEL LINE	
40	4100.541	RUBBER BUSHING	
41	4104.147	AIR LINE	
42	4111.851	MOTOR 1/8 HP	<i>Alternative code: 4110.480</i>
43	4108.635	INSERT	
44	4110.068	PUMP BODY	
45	4110.302	PUMP BODY SCREW	
46	4101.200	BLADE	
47	4108.627	ROTOR	
48	4161.497	BARB ELBOW	
49	4110.411	PUMP END COVER	
50	4109.716	LINT FILTER	
51	4108.528	SCREW/LOCKWASHER 4,8x25	
52	4109.708	OUTPUT FILTER	
53	4109.690	INTAKE FILTER	

ESP00108

MODEL REM 12 CEL

UNIT 4

PARTS LIST

Pos.	Code NR	Description	Rev. E - May 2013
54	4109.674	END COVER	
55	4108.379	STEEL BALL	
56	4102.141	PRESSURE RELIEF SPRING	
57	4102.133	ADJUSTING SCREW	
58	4111.212	HANDLES	
59	4110.518	SCREW	
60	4110.143	LOCK NUT	
61	4111.210	WHEEL SUPPORT FRAME	
62	4111.208	AXLE	
63	4110.084	WHEEL	
64	4110.162	WASHER	
65	4110.129	CAP NUT	
66	4260.006	FUEL GAUGE	

RECOMMENDED SPARE PARTS

POS.	Code NR	Description	Rev. E - May 2013
4	4102.125	PRESSURE GAUGE CAP	
11	4100.663	NOZZLE ADAPTER	
12	4110.081	IGNITOR	
14	4100.647	NOZZLE	
17	4103.590	PHOTOCELL ASSEMBLY	
25	4162.907	IGNITION CONTROL ASSEMBLY	
27	4111.854	CAPACITOR	Alternative code: 4110.293
37	4110.356	FUEL FILTER	
42	4111.851	MOTOR 1/8 HP	Alternative code: 4110.480
46	4101.200	BLADE	
47	4108.627	ROTOR	
50	4109.716	LINT FILTER	
52	4109.708	OUTPUT FILTER	
53	4109.690	INTAKE FILTER	
54	4109.674	END COVER	
55	4108.379	STEEL BALL	
56	4102.141	PRESSURE RELIEF SPRING	
57	4102.133	ADJUSTING SCREW	

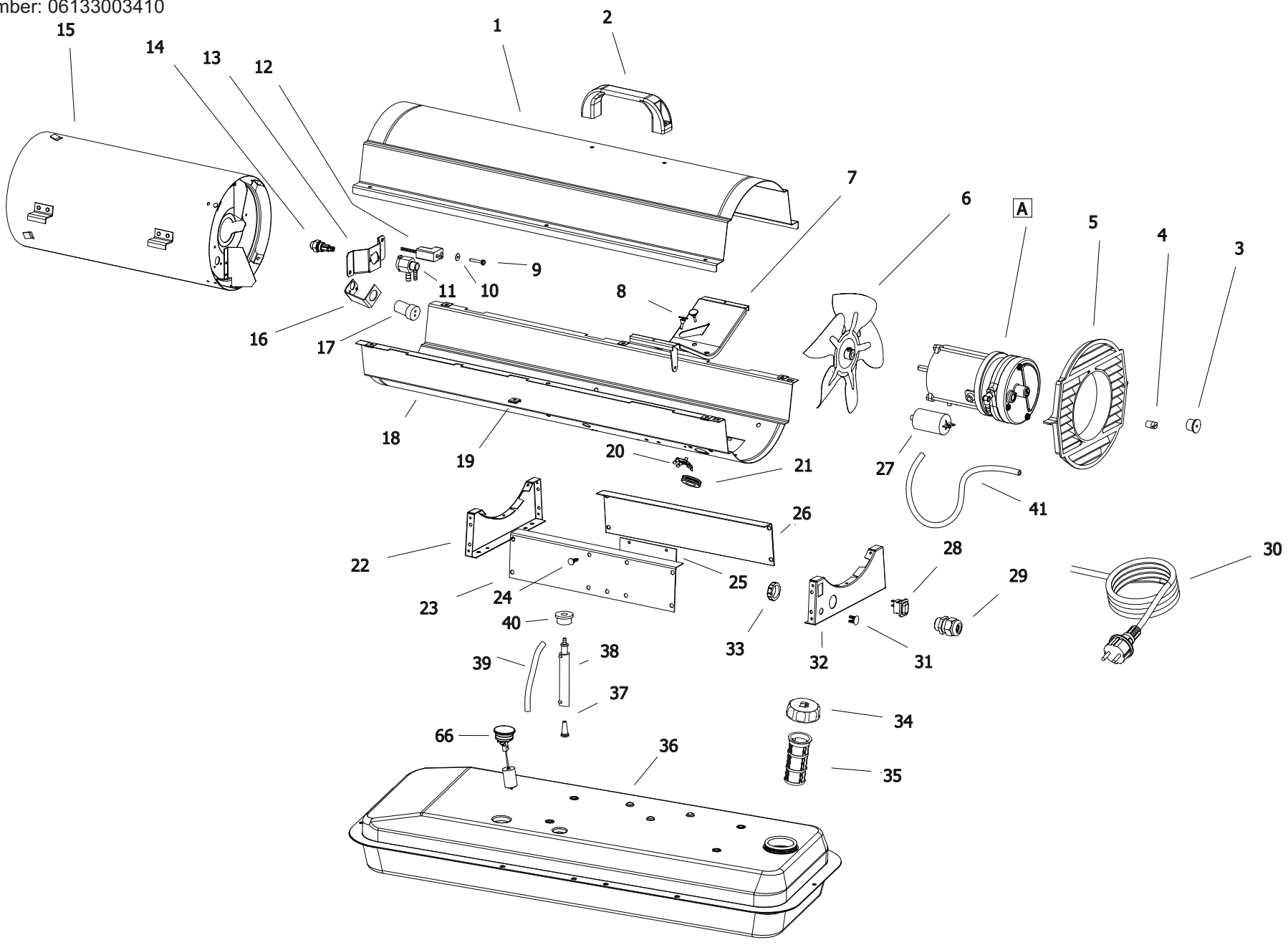
MODEL REM 12 CEL

UNIT 1

ILLUSTRATED PARTS BREAKDOWN

From Serial Number: 32133575
Until Serial Number: 06133003410

Rev D - Dec. 2012

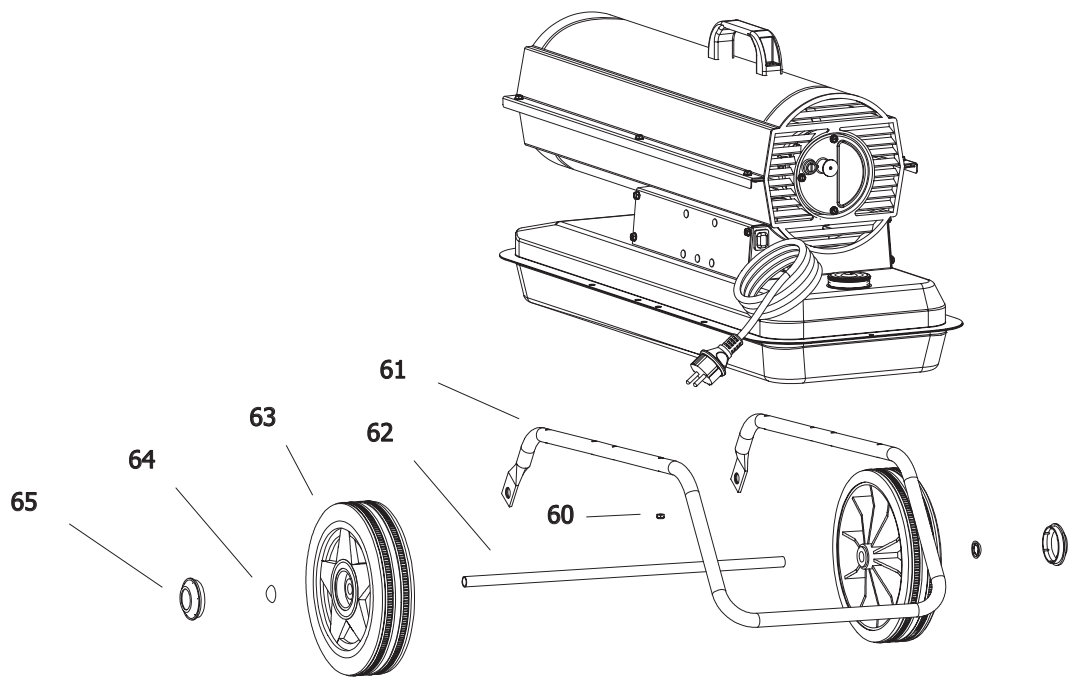
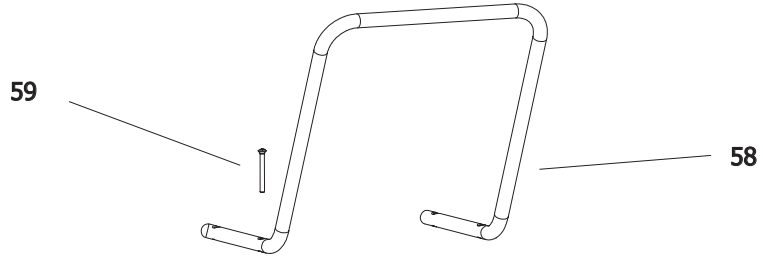
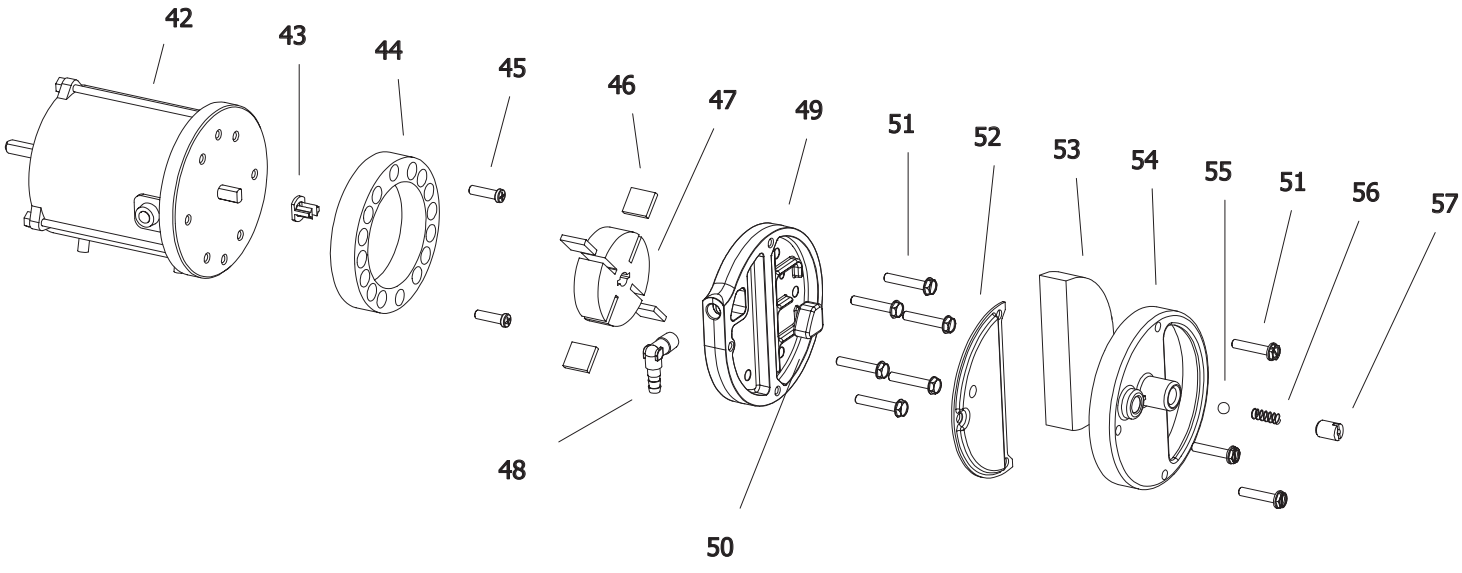


MODEL REM 12 CEL

UNIT 2

ILLUSTRATED PARTS BREAKDOWN

A



MODEL REM 12 CEL

UNIT 3

PARTS LIST

Pos.	Code NR	Description	Rev. D - Dec. 2012
1	4110.474	UPPER SHELL	
2	4162.893	PLASTIC HANDLE	
3	4100.666	COVER CAP	
4	4102.125	PRESSURE GAUGE CAP	
5	4103.685	FAN GUARD	
6	4110.414	FAN	
7	4110.187	MOTOR BRACKET	
8	4150.553	BUMPER	
9	4100.669	SCREW	
10	4100.660	WASHER	
11	4100.663	NOZZLE ADAPTER	
12	4110.081	IGNITOR	
13	4100.653	NOZZLE BRACKET	
14	4100.647	NOZZLE	
15	4110.126	COMBUSTION CHAMBER	
16	4100.658	PHOTOCELL BRACKET	
17	4103.590	PHOTOCELL ASSEMBLY	
18	4110.475	LOWER SHELL	
19	4104.170	CLIP NUT	
20	4110.134	NUT	
21	4160.646	CABLE PROTECTION	
22	4110.113	FORE FRAME BRACKET	
23	4110.561	CONTROL BOX SIDE PANEL	
24	4110.460	PC BOARD SUPPORT	
25	4162.907	IGNITION CONTROL ASSEMBLY	
26	4110.560	SIDE PANEL	
27	4110.293	CAPACITOR	<i>Alternative code: 4111.854</i>
28	4100.667	ON/OFF SWITCH	
29	4150.528	STRAIN RELIEF	
30	4110.451	POWER CORD	
31	4100.649	PLASTIC CAP	
32	4110.514	REAR FRAME BRACKET	
33	4100.656	LOCKNUT	
34	4260.007	FUEL TANK CAP	
35	4290.026	FUEL TANK FILTER	
36	4110.384	FUEL TANK	
37	4110.356	FUEL FILTER	
38	4110.391	FUEL LINE	
39	4109.567	FUEL LINE	
40	4100.541	RUBBER BUSHING	
41	4104.147	AIR LINE	
42	4110.480	MOTOR 1/8 HP	<i>Alternative code: 4111.851</i>
43	4108.635	INSERT	
44	4110.068	PUMP BODY	
45	4110.302	PUMP BODY SCREW	
46	4101.200	BLADE	
47	4108.627	ROTOR	
48	4161.497	BARB ELBOW	
49	4110.411	PUMP END COVER	
50	4109.716	LINT FILTER	
51	4108.528	SCREW/LOCKWASHER 4,8x25	
52	4109.708	OUTPUT FILTER	
53	4109.690	INTAKE FILTER	
54	4109.674	END COVER	
55	4108.379	STEEL BALL	

MODEL REM 12 CEL

UNIT 4

PARTS LIST

Pos.	Code NR	Description	<i>Rev. D - Dec. 2012</i>
56	4102.141	PRESSURE RELIEF SPRING	
57	4102.133	ADJUSTING SCREW	
58	4111.212	HANDLES	
59	4110.518	SCREW	
60	4110.143	LOCK NUT	
61	4111.210	WHEEL SUPPORT FRAME	
62	4111.208	AXLE	
63	4110.084	WHEEL	
64	4110.162	WASHER	
65	4110.129	CAP NUT	
66	4260.006	FUEL GAUGE	

RECOMMENDED SPARE PARTS

POS.	Code NR	Description	<i>Rev. D - Dec. 2012</i>
4	4102.125	PRESSURE GAUGE CAP	
11	4100.663	NOZZLE ADAPTER	
12	4110.081	IGNITOR	
14	4100.647	NOZZLE	
17	4103.590	PHOTOCELL ASSEMBLY	
25	4162.907	IGNITION CONTROL ASSEMBLY	
27	4110.293	CAPACITOR	<i>Alternative code: 4111.854</i>
37	4110.356	FUEL FILTER	
42	4110.480	MOTOR 1/8 HP	<i>Alternative code: 4111.851</i>
46	4101.200	BLADE	
47	4108.627	ROTOR	
50	4109.716	LINT FILTER	
52	4109.708	OUTPUT FILTER	
53	4109.690	INTAKE FILTER	
54	4109.674	END COVER	
55	4108.379	STEEL BALL	
56	4102.141	PRESSURE RELIEF SPRING	
57	4102.133	ADJUSTING SCREW	

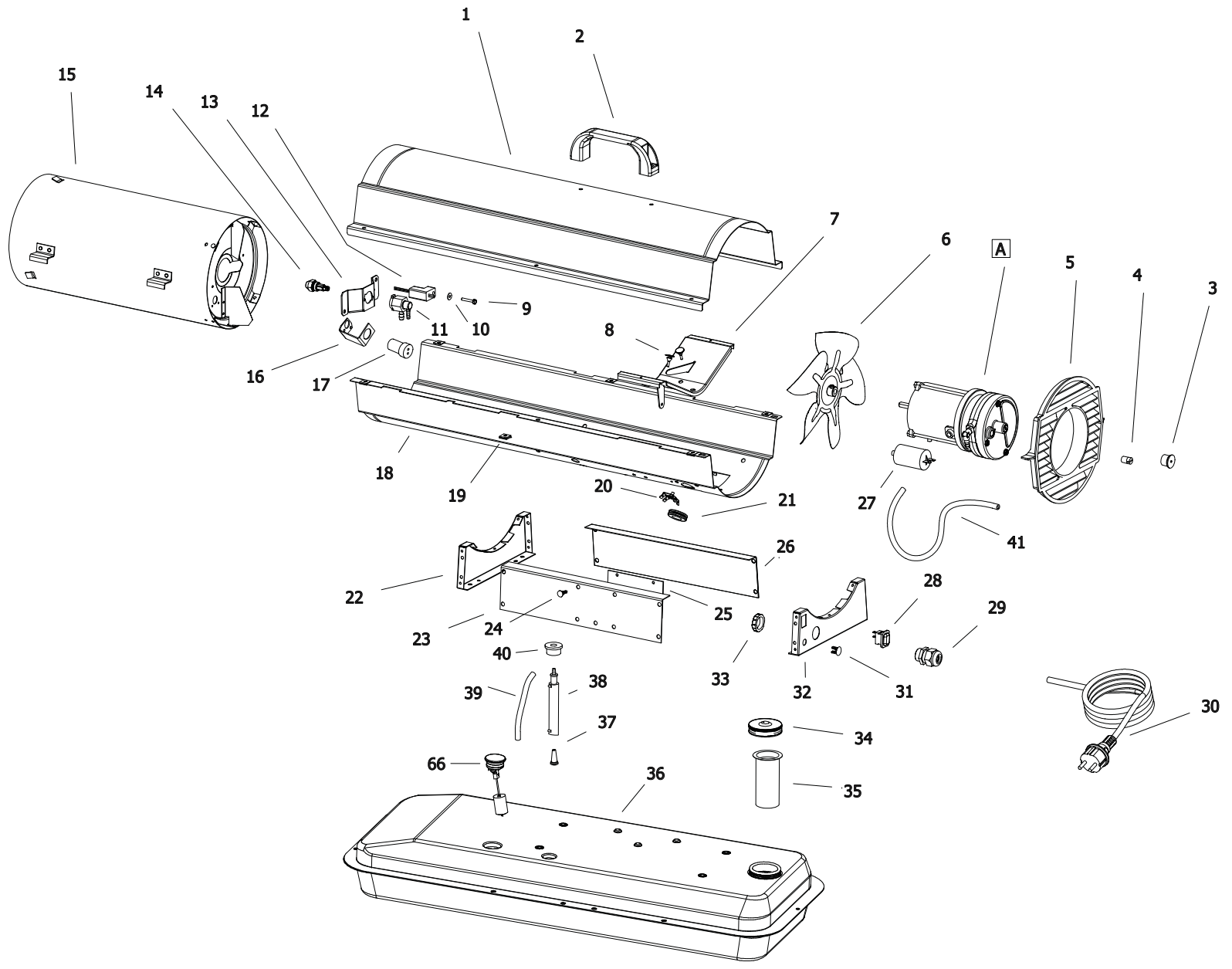
MODEL REM 12 CEL

UNIT 1

ILLUSTRATED PARTS BREAKDOWN

From Serial Number: 32104294
Until Serial Number: 32133574

Rev C - May 2012



MODEL REM 12 CEL

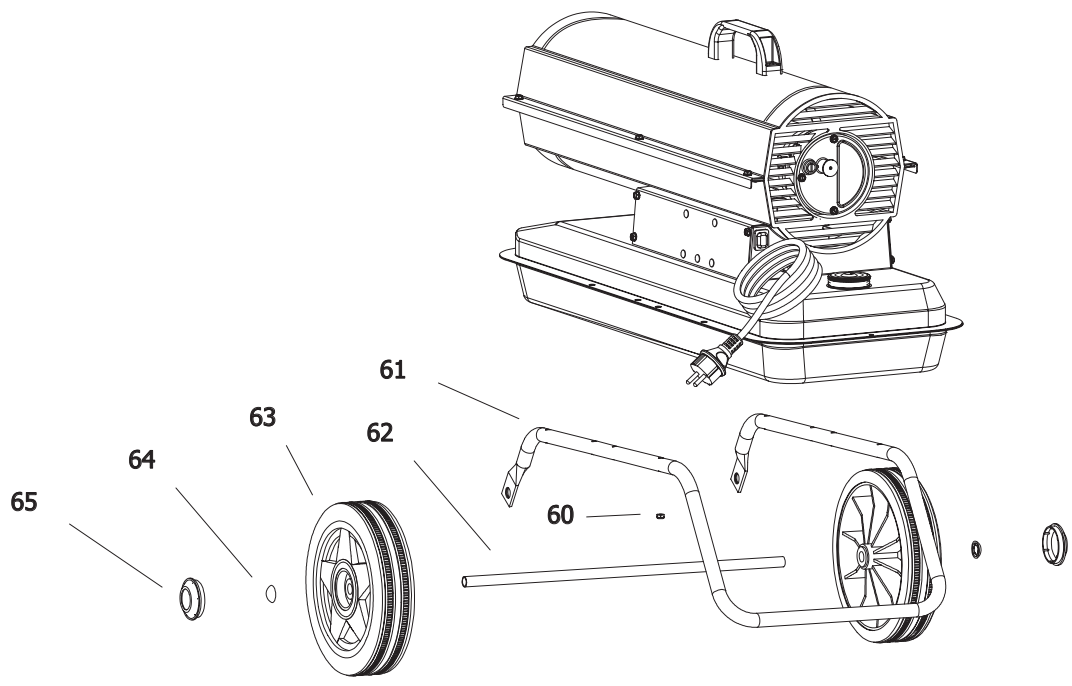
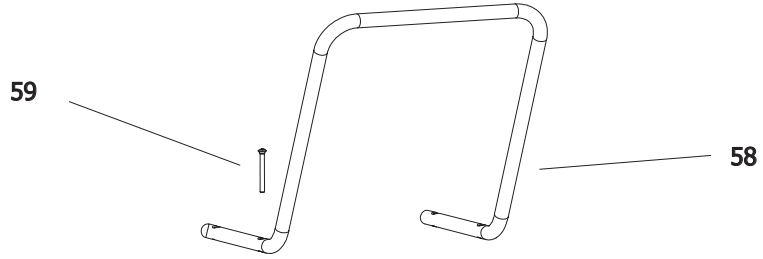
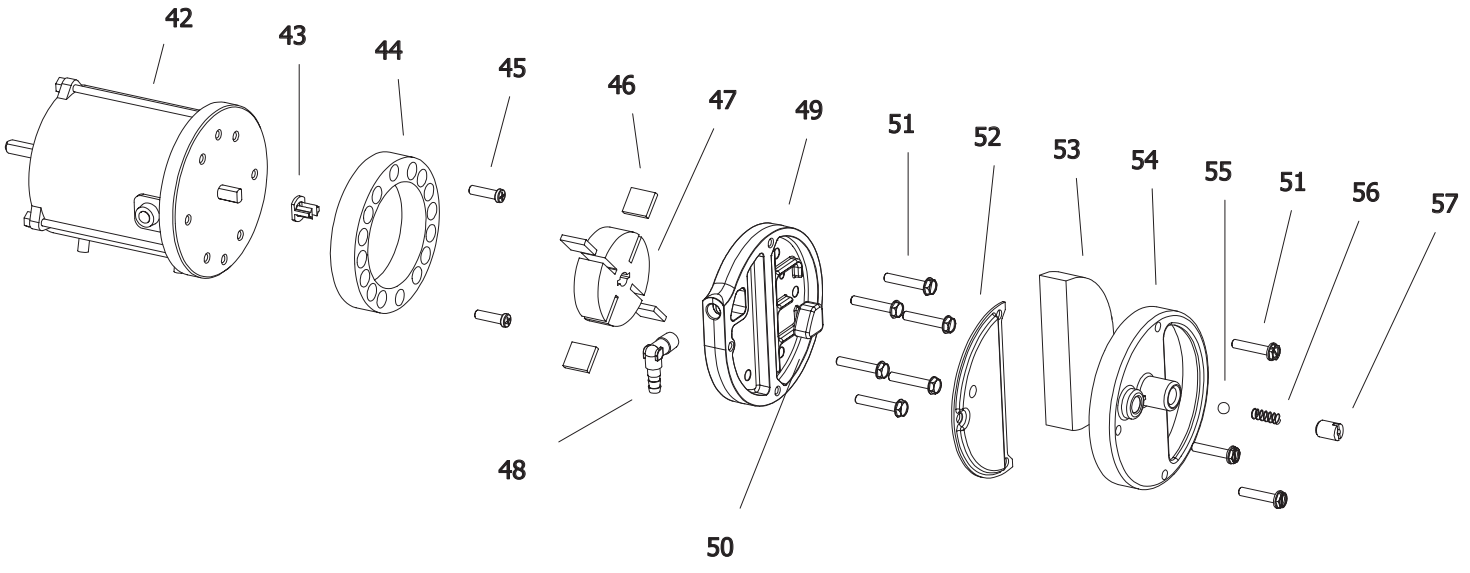
UNIT 2

ILLUSTRATED PARTS BREAKDOWN

A

From Serial Number: 32104294
Until Serial Number: 32133574

Rev C - May 2012



MODEL REM 12 CEL

UNIT 3

PARTS LIST

Pos.	Code NR	Description	Rev. C - May 2012
1	4110.474	UPPER SHELL	
2	4162.893	PLASTIC HANDLE	
3	4100.666	COVER CAP	
4	4102.125	PRESSURE GAUGE CAP	
5	4103.685	FAN GUARD	
6	4110.414	FAN	
7	4110.187	MOTOR BRACKET	
8	4150.553	BUMPER	
9	4100.669	SCREW	
10	4100.660	WASHER	
11	4100.663	NOZZLE ADAPTER	
12	4110.081	IGNITOR	
13	4100.653	NOZZLE BRACKET	
14	4100.647	NOZZLE	
15	4110.126	COMBUSTION CHAMBER	
16	4100.658	PHOTOCELL BRACKET	
17	4103.590	PHOTOCELL ASSEMBLY	
18	4110.475	LOWER SHELL	
19	4104.170	CLIP NUT	
20	4110.134	NUT	
21	4160.646	CABLE PROTECTION	
22	4110.113	FORE FRAME BRACKET	
23	4110.561	CONTROL BOX SIDE PANEL	
24	4110.460	PC BOARD SUPPORT	
25	4162.907	IGNITION CONTROL ASSEMBLY	
26	4110.560	SIDE PANEL	
27	4110.293	CAPACITOR	<i>Alternative code: 4111.854</i>
28	4100.667	ON/OFF SWITCH	
29	4150.528	STRAIN RELIEF	
30	4110.451	POWER CORD	
31	4100.649	PLASTIC CAP	
32	4110.514	REAR FRAME BRACKET	
33	4100.656	LOCKNUT	
34	4103.891	FUEL TANK CAP	
35	4105.292	FUEL TANK FILTER	
36	4110.384	FUEL TANK	
37	4110.356	FUEL FILTER	
38	4110.391	FUEL LINE	
39	4109.567	FUEL LINE	
40	4100.541	RUBBER BUSHING	
41	4104.147	AIR LINE	
42	4110.480	MOTOR 1/8 HP	<i>Alternative code: 4111.851</i>
43	4108.635	INSERT	
44	4110.068	PUMP BODY	
45	4110.302	PUMP BODY SCREW	
46	4101.200	BLADE	
47	4108.627	ROTOR	
48	4161.497	BARB ELBOW	
49	4110.411	PUMP END COVER	
50	4109.716	LINT FILTER	
51	4108.528	SCREW/LOCKWASHER 4,8x25	
52	4109.708	OUTPUT FILTER	
53	4109.690	INTAKE FILTER	
54	4109.674	END COVER	
55	4108.379	STEEL BALL	

MODEL REM 12 CEL

UNIT 4

PARTS LIST

Pos.	Code NR	Description	<i>Rev. C - May 2012</i>
56	4102.141	PRESSURE RELIEF SPRING	
57	4102.133	ADJUSTING SCREW	
58	4111.212	HANDLES	
59	4110.518	SCREW	
60	4110.143	LOCK NUT	
61	4111.210	WHEEL SUPPORT FRAME	
62	4111.208	AXLE	
63	4110.084	WHEEL	
64	4110.162	WASHER	
65	4110.129	CAP NUT	
66	4260.006	FUEL GAUGE	

RECOMMENDED SPARE PARTS

POS.	Code NR	Description	<i>Rev. C - May 2012</i>
4	4102.125	PRESSURE GAUGE CAP	
11	4100.663	NOZZLE ADAPTER	
12	4110.081	IGNITOR	
14	4100.647	NOZZLE	
17	4103.590	PHOTOCELL ASSEMBLY	
25	4162.907	IGNITION CONTROL ASSEMBLY	
27	4110.293	CAPACITOR	<i>Alternative code: 4111.854</i>
37	4110.356	FUEL FILTER	
42	4110.480	MOTOR 1/8 HP	<i>Alternative code: 4111.851</i>
46	4101.200	BLADE	
47	4108.627	ROTOR	
50	4109.716	LINT FILTER	
52	4109.708	OUTPUT FILTER	
53	4109.690	INTAKE FILTER	
54	4109.674	END COVER	
55	4108.379	STEEL BALL	
56	4102.141	PRESSURE RELIEF SPRING	
57	4102.133	ADJUSTING SCREW	

MODEL REM 12 CEL

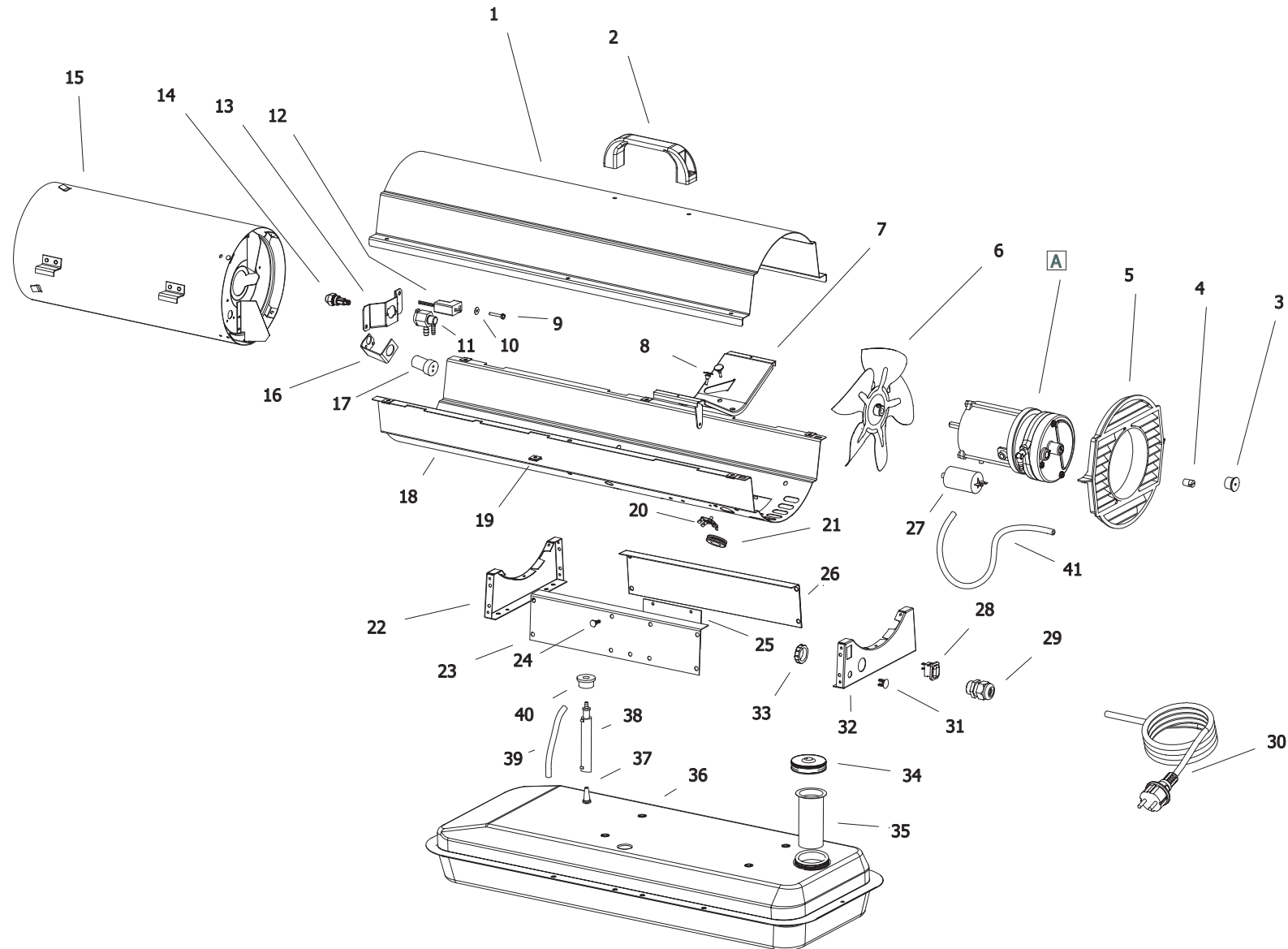
ILLUSTRATED PARTS BREAKDOWN

UNIT 1

From Serial Number: 31107473

Rev B - May 2011

Until Serial Number: 32104246



MODEL REM 12 CEL

UNIT 2

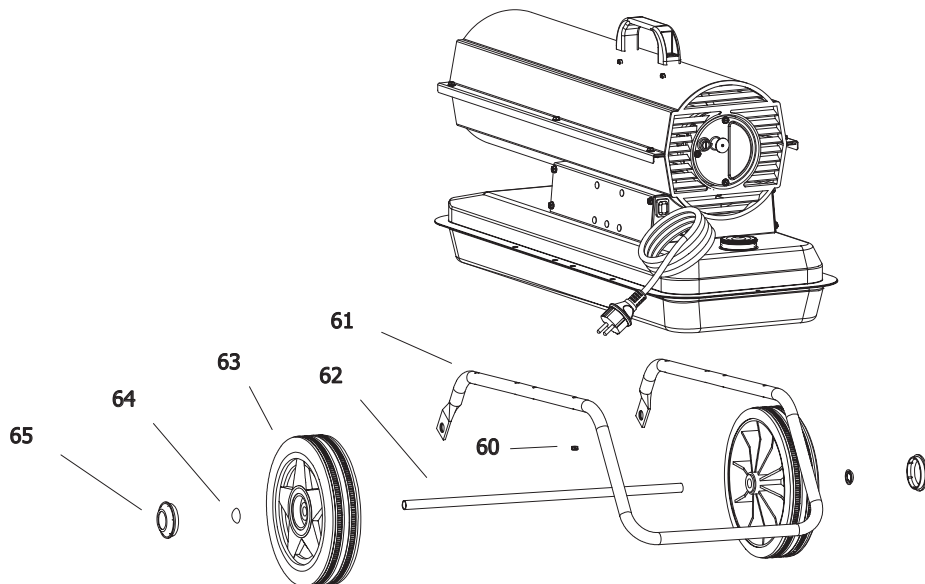
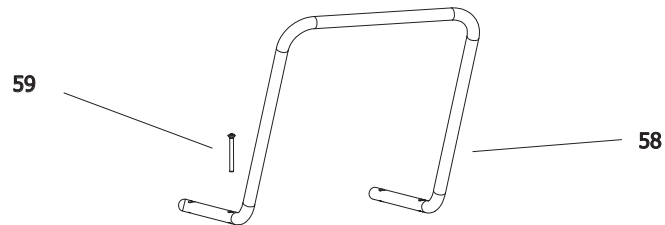
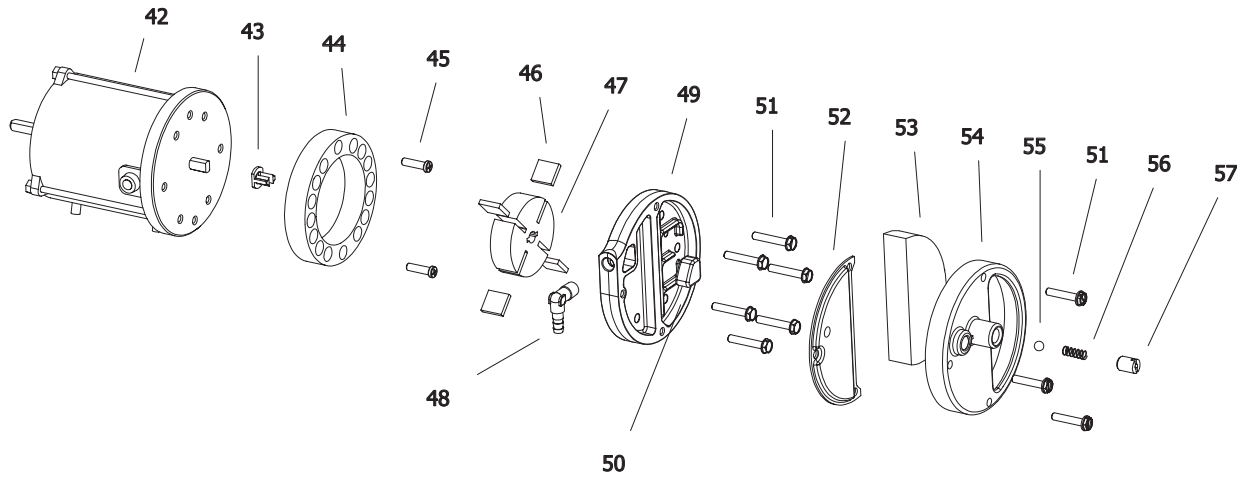
ILLUSTRATED PARTS BREAKDOWN

A

From Serial Number: 31107473

Rev B - May 2011

Until Serial Number: 32104246



MODEL REM 12 CEL

UNIT 3

PARTS LIST

Pos.	Code NR	Description	Rev. B - May 2011
1	4110.474	UPPER SHELL	
2	4162.893	PLASTIC HANDLE	
3	4100.666	COVER CAP	
4	4102.125	PRESSURE GAUGE CAP	
5	4103.685	FAN GUARD	
6	4110.414	FAN	
7	4110.187	MOTOR BRACKET	
8	4150.553	BUMPER	
9	4100.669	SCREW	
10	4100.660	WASHER	
11	4100.663	NOZZLE ADAPTER	
12	4110.081	IGNITOR	
13	4100.653	NOZZLE BRACKET	
14	4100.647	NOZZLE	
15	4110.126	COMBUSTION CHAMBER	
16	4100.658	PHOTOCELL BRACKET	
17	4103.590	PHOTOCELL ASSEMBLY	
18	4110.475	LOWER SHELL	
19	4104.170	CLIP NUT	
20	4110.134	NUT	
21	4160.646	CABLE PROTECTION	
22	4110.113	FORE FRAME BRACKET	
23	4110.561	CONTROL BOX SIDE PANEL	
24	4110.460	PC BOARD SUPPORT	
25	4162.907	IGNITION CONTROL ASSEMBLY	
26	4110.560	SIDE PANEL	
27	4110.293	CAPACITOR	
28	4100.667	ON/OFF SWITCH	
29	4150.528	STRAIN RELIEF	
30	4110.451	POWER CORD	
31	4100.649	PLASTIC CAP	
32	4110.514	REAR FRAME BRACKET	
33	4100.656	LOCKNUT	
34	4103.891	FUEL TANK CAP	
35	4105.292	FUEL TANK FILTER	
36	4110.384	FUEL TANK	
37	4110.356	FUEL FILTER	
38	4110.391	FUEL LINE	
39	4109.567	FUEL LINE	
40	4100.541	RUBBER BUSHING	
41	4104.147	AIR LINE	
42	4110.480	MOTOR 1/8 HP	
43	4108.635	INSERT	
44	4110.068	PUMP BODY	
45	4110.302	PUMP BODY SCREW	
46	4101.200	BLADE	
47	4108.627	ROTOR	
48	4161.497	BARB ELBOW	
49	4110.411	PUMP END COVER	
50	4109.716	LINT FILTER	
51	4108.528	SCREW/LOCKWASHER 4,8x25	
52	4109.708	OUTPUT FILTER	
53	4109.690	INTAKE FILTER	
54	4109.674	END COVER	
55	4108.379	STEEL BALL	

ESP00108

MODEL REM 12 CEL

UNIT 4

PARTS LIST

Pos.	Code NR	Description	<i>Rev. B - May 2011</i>
56	4102.141	PRESSURE RELIEF SPRING	
57	4102.133	ADJUSTING SCREW	
58	4111.212	HANDLES	
59	4110.518	SCREW	
60	4110.143	LOCK NUT	
61	4111.210	WHEEL SUPPORT FRAME	
62	4111.208	AXLE	
63	4110.084	WHEEL	
64	4110.162	WASHER	
65	4110.129	CAP NUT	

RECOMMENDED SPARE PARTS

POS.	Code NR	Description	<i>Rev. B - May 2011</i>
4	4102.125	PRESSURE GAUGE CAP	
11	4100.663	NOZZLE ADAPTER	
12	4110.081	IGNITOR	
14	4100.647	NOZZLE	
17	4103.590	PHOTOCELL ASSEMBLY	
25	4162.907	IGNITION CONTROL ASSEMBLY	
27	4110.293	CAPACITOR	
37	4110.356	FUEL FILTER	
42	4110.480	MOTOR 1/8 HP	
46	4101.200	BLADE	
47	4108.627	ROTOR	
50	4109.716	LINT FILTER	
52	4109.708	OUTPUT FILTER	
53	4109.690	INTAKE FILTER	
54	4109.674	END COVER	
55	4108.379	STEEL BALL	
56	4102.141	PRESSURE RELIEF SPRING	
57	4102.133	ADJUSTING SCREW	

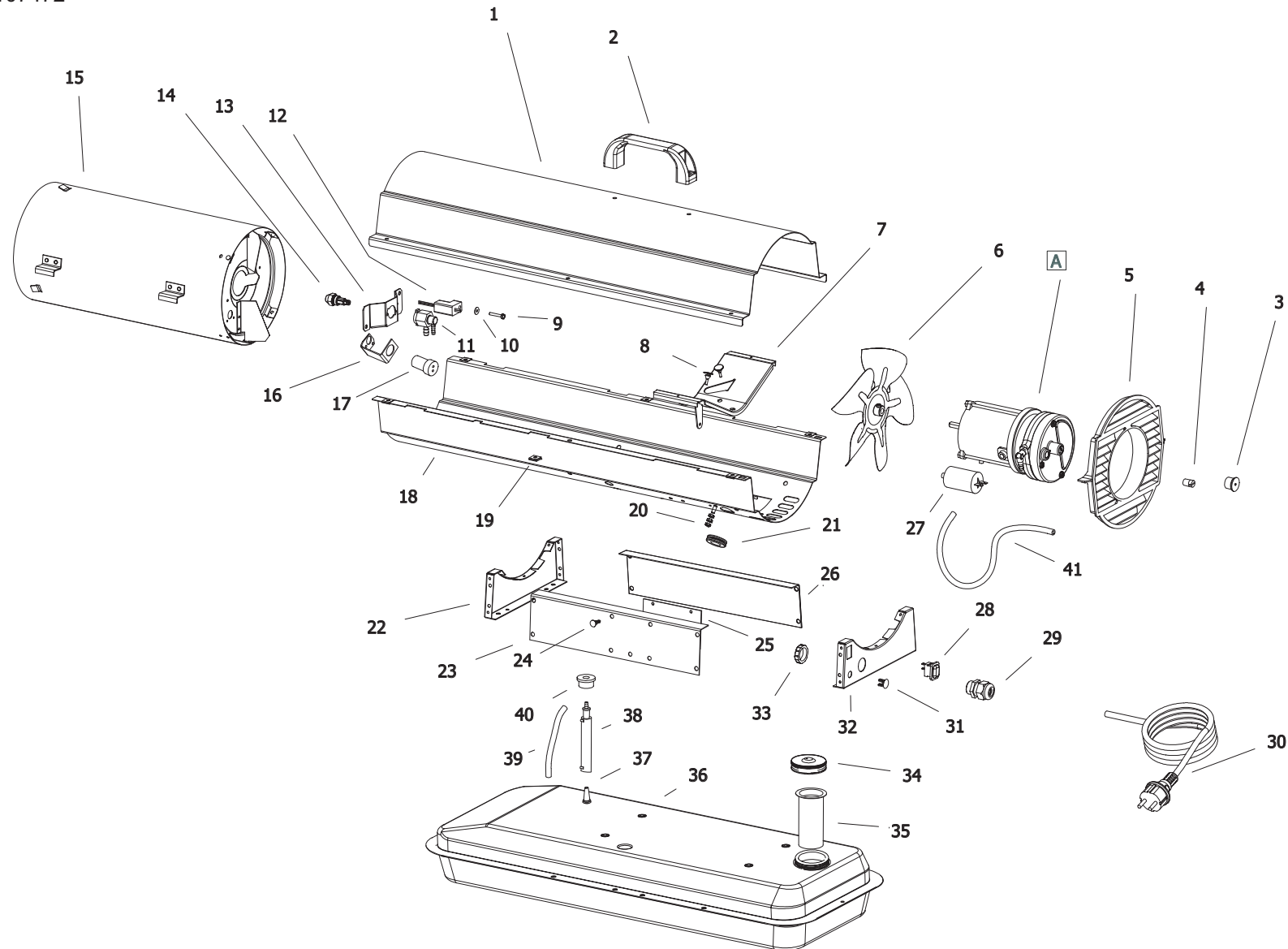
MODEL REM12 CEL

ILLUSTRATED PARTS BREAKDOWN

Edizione 2010
Rev. A

From Serial Number: 30102194

Until Serial Number: 31107472



MODEL REM12 CEL

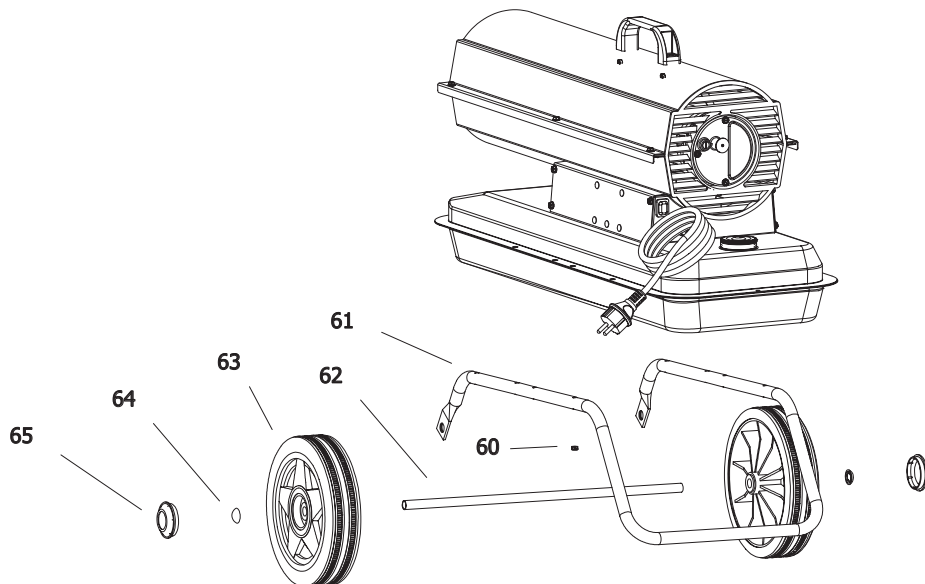
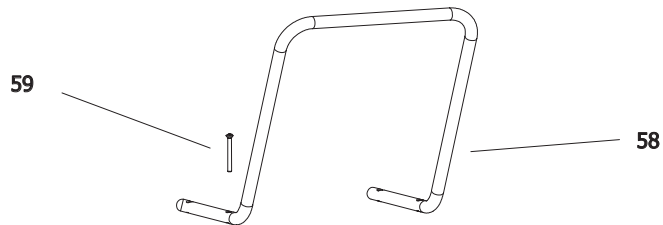
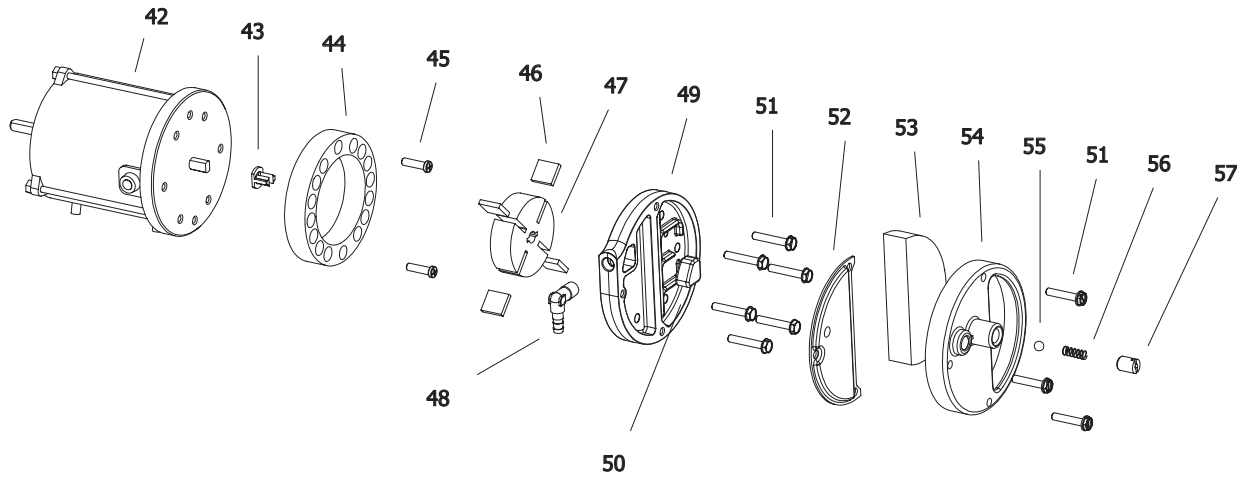
UNIT 2

ILLUSTRATED PARTS BREAKDOWN

A

From Serial Number: 30102194
Until Serial Number: 31107472

Edizione 2010
Rev. A



OIL HEATER REM 12 CEL

Pos.	Code NR	Description
1	S/R	UPPER SHELL
2	4160.715	PLASTIC HANDLE
3	4100.666	COVER CAP
4	4102.125	PRESSURE GAUGE CAP
5	4103.685	FAN GUARD
6	4110.414	FAN
7	4110.187	MOTOR BRACKET
8	4150.553	BUMPER
9	4100.669	SCREW
10	4100.660	WASHER
11	4100.663	NOZZLE ADAPTER
12	4110.081	IGNITOR
13	4100.653	NOZZLE BRACKET
14	4100.647	NOZZLE
15	4110.126	COMBUSTION CHAMBER
16	4100.658	PHOTOCELL BRACKET
17	4103.590	PHOTOCELL ASSEMBLY
18	S/R	LOWER SHELL
19	4104.170	CLIP NUT
20	4110.134	NUT
21	4160.646	CABLE PROTECTION
22	4110.113	FORE FRAME BRACKET
23	4110.561	CONTROL BOX SIDE PANEL
24	4110.460	PC BOARD SUPPORT
25	4161.184	IGNITION CONTROL ASSEMBLY
26	4110.560	SIDE PANEL
27	4110.293	CAPACITOR
28	4100.667	ON/OFF SWITCH
29	4150.528	STRAIN RELIEF
30	4110.038	POWER CORD
31	4100.649	PLASTIC CAP
32	4110.514	REAR FRAME BRACKET
33	4100.656	LOCKNUT
34	4103.891	FUEL TANK CAP
35	4105.292	FUEL TANK FILTER
36	4110.384	FUEL TANK
37	4110.356	FUEL FILTER
38	4110.391	FUEL LINE
39	4109.567	FUEL LINE
40	4100.541	RUBBER BUSHING
41	4104.147	AIR LINE
42	4110.480	MOTOR 1/8 HP
43	4108.635	INSERT
44	4110.068	PUMP BODY
45	4108.588	PUMP BODY SCREW
46	4101.200	BLADE
47	4108.627	ROTOR
48	4161.497	BARB ELBOW
49	4110.411	PUMP END COVER
50	4109.716	LINT FILTER
51	4108.528	SCREW/LOCKWASHER 4,8x25
52	4109.708	OUTPUT FILTER

53	4109.690	INTAKE FILTER
54	4109.674	END COVER
55	4108.379	STEEL BALL
56	4102.141	PRESSURE RELIEF SPRING
57	4102.133	ADJUSTING SCREW
58	4111.212	HANDLES
59	4110.518	SCREW
60	4110.143	LOCK NUT
61	4111.210	WHEEL SUPPORT FRAME
62	4111.208	AXLE
63	4110.084	WHEEL
64	4110.162	WASHER
65	4110.129	CAP NUT

S/R - Parts available by special request only