

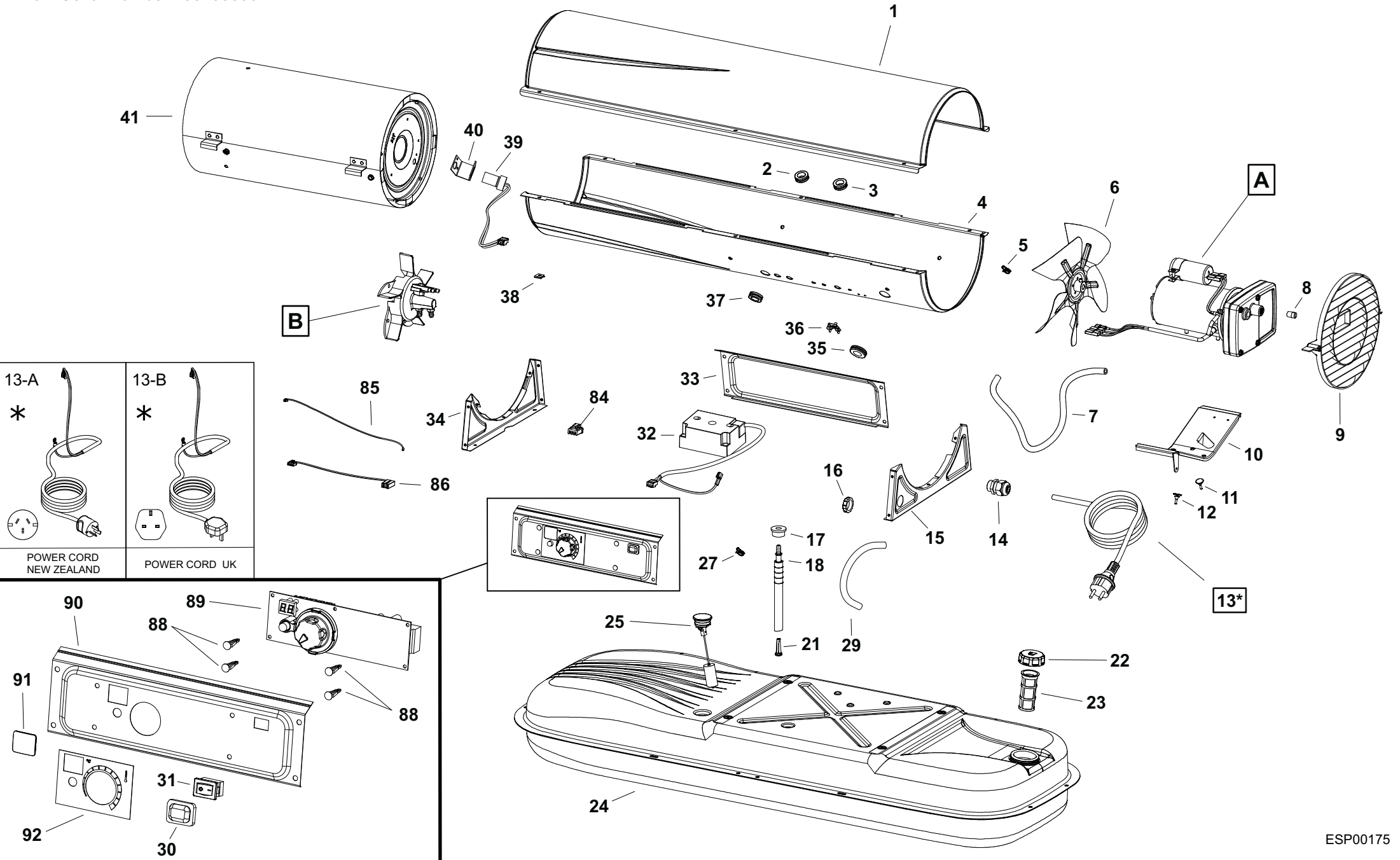
MODEL REM 22 CEL

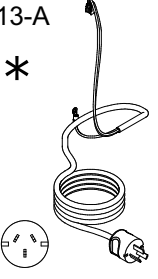
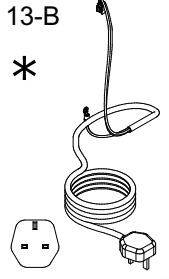
UNIT 1

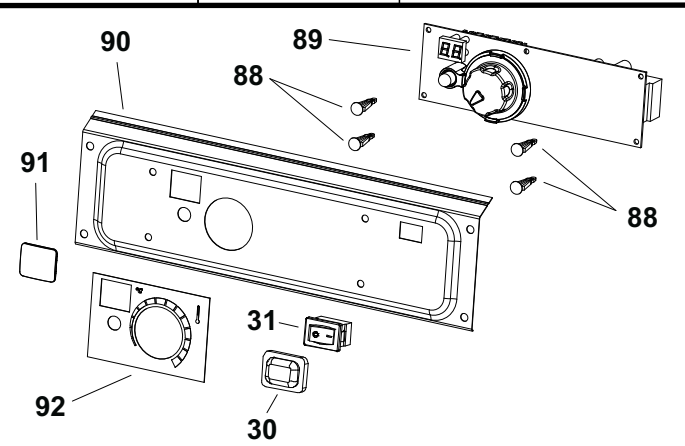
ILLUSTRATED PARTS BREAKDOWN

From Serial Number: 05135000724

Rev.D - SEPT. 2015



13-A *  POWER CORD NEW ZEALAND	13-B *  POWER CORD UK
---	---

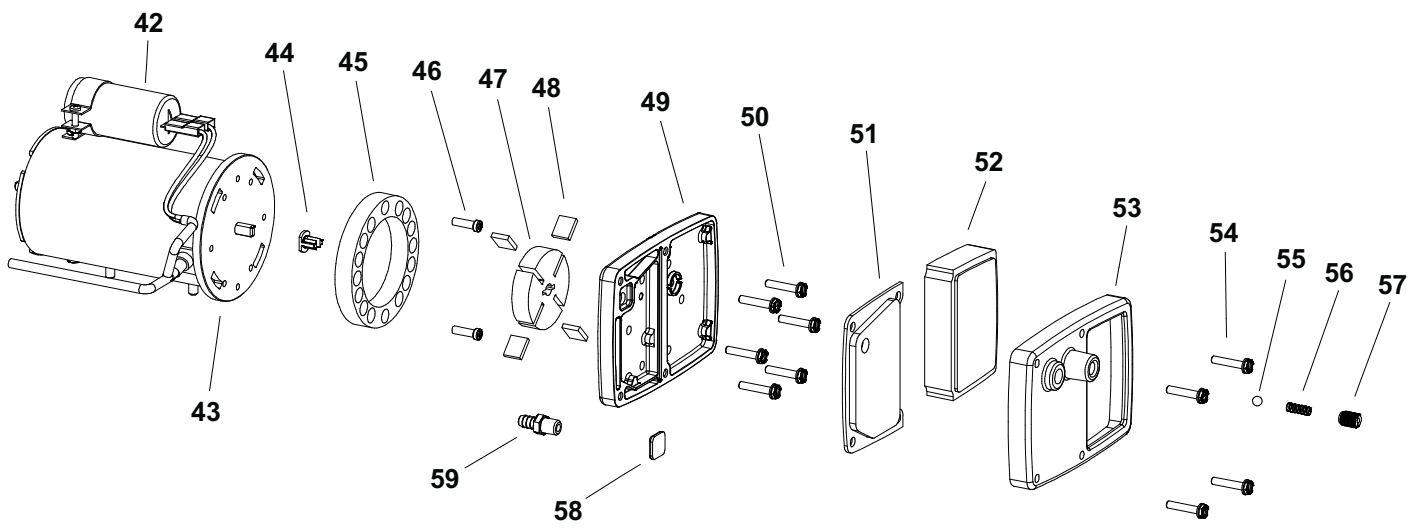


MODEL REM 22 CEL

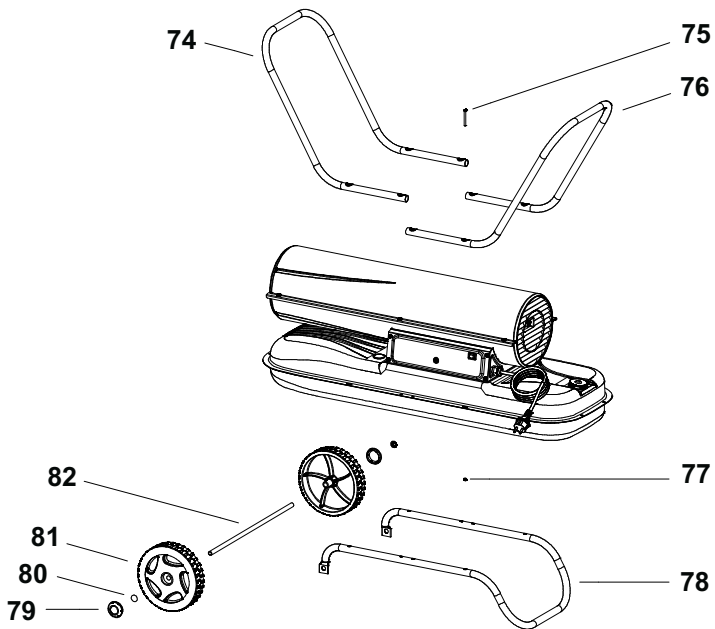
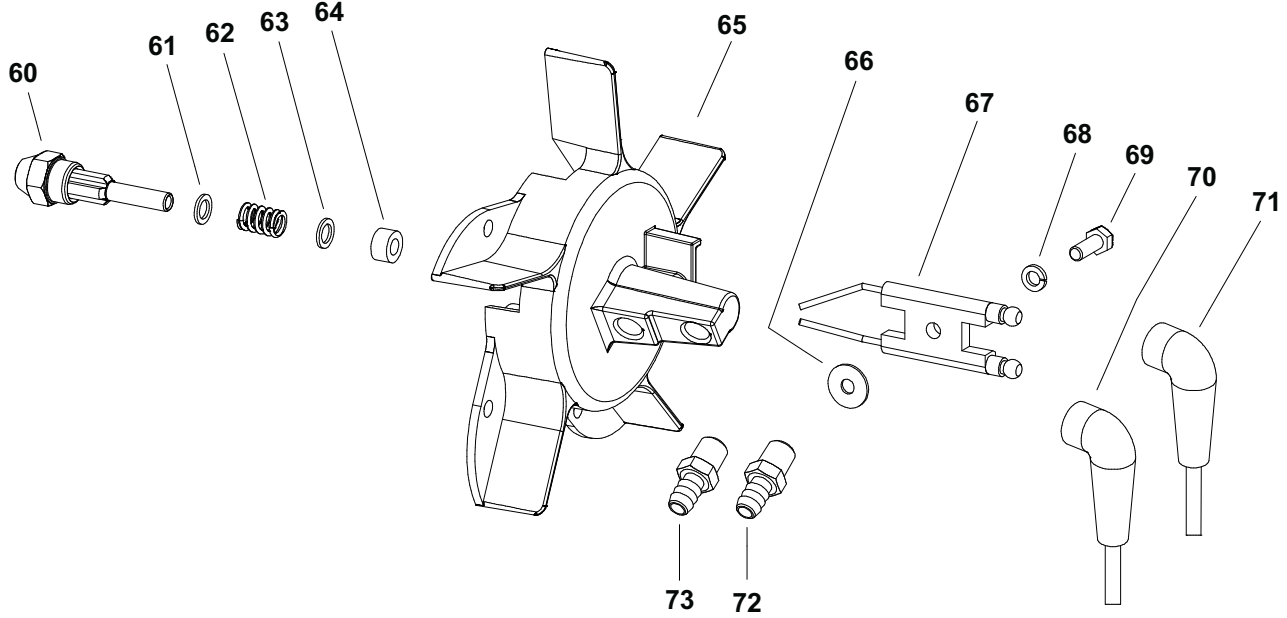
UNIT 2

ILLUSTRATED PARTS BREAKDOWN

A



B



MODEL REM 22 CEL

UNIT 3

PARTS LIST

Pos.	Code NR	Description	Rev.D - SEPT. 2015
1	4110.455	UPPER SHELL	
2	4101.151	GROMMET	
3	4101.151	GROMMET	
4	4110.454	LOWER SHELL	
5	4110.159	CLAMP	
6	4110.415	FAN	
7	4104.147	AIR LINE	
8	4102.125	PRESSURE GAUGE CAP	
9	4103.695	FAN GRID	
10	4110.186	MOTOR BRACKET	
11	4150.553	BUMPER	
12	4150.553	BUMPER	
13	4160.539	POWER CORD	
13-A	4111.748	POWER CORD NEW ZEALAND	
13-B	4160.540	POWER CORD UK	
14	4150.528	STRAIN RELIEF	
15	4110.353	REAR FRAME BRACKET	
16	4100.656	LOCKNUT	
17	4100.541	RUBBER BUSHING	
18	4110.355	FUEL LINE	
21	4110.356	FUEL FILTER	
22	4100.052	FUEL TANK CAP	
23	4290.239	FUEL TANK FILTER	
24	4110.345	FUEL TANK	
25	4260.017	FUEL GAUGE CED	
27	4110.159	CLAMP	
29	4110.032	FUEL LINE	
30	4104.336	COVER SWITCH	
31	4106.179	ON/OFF SWITCH	
32	4111.885	ELECTRONIC IGNITOR	
33	4110.379	RIGHT PANEL	
34	4110.354	FORE FRAME BRACKET	
35	4160.646	GROMMET	
36	4160.639	RIVET POP	
37	4101.151	GROMMET	
38	4104.170	CLIP NUT	
39	4220.115	PHOTOCELL	
40	4100.658	PHOTOCELL BRACKET	
41	4110.568	COMBUSTION CHAMBER	
42	4111.855	CAPACITOR	<i>Alternative code 4110.294</i>
43	4111.852	MOTOR 1/4 HP	<i>Alternative code 4110.452</i>
44	4108.635	INSERT	
45	4110.068	PUMP BODY	
46	4110.302	PUMP BODY SCREW	
47	4108.627	ROTOR	
48	4101.200	BLADE	
49	4110.407	PUMP END COVER	
50	4108.528	SCREW/LOCKWASHER	
51	4101.341	OUTPUT FILTER	
52	4101.358	INTAKE FILTER	
53	4108.643	END COVER	
54	4108.528	SCREW/LOCKWASHER	
55	4108.379	STEEL BALL	

MODEL REM 22 CEL

UNIT 4

PARTS LIST

Pos.	Code NR	Description	Rev.D - SEPT. 2015
56	4102.141	PRESSURE RELIEF SPRING	
57	4102.133	ADJUSTING SCREW	
58	4101.333	LINT FILTER	
59	4104.118	BARB FITTING	
60	4103.559	NOZZLE	
61	4100.525	WASHER	
62	4100.533	NOZZLE SEAL SPRING	
63	4100.525	WASHER	
64	4101.622	NOZZLE SEAL SLEEVE	
65	4110.361	BURNER HEAD BODY	
66	4110.394	FIBER WASHER	
67	4110.337	ELECTRODE	
68	4110.393	WASHER	
69	4110.363	SCREW	
70	4111.831	ELECTRODE CABLE	
71	4111.831	ELECTRODE CABLE	
72	4104.118	BARB FITTING	
73	4104.118	BARB FITTING	
74	4110.368	HANDLE	
75	4110.518	SCREW	
76	4110.368	HANDLE	
77	4032.703	LOCK NUT	
78	4110.369	WHEEL SUPPORT FRAME	
79	4110.129	CAP NUT	
80	4110.162	WASHER	
81	4110.084	WHEEL	
82	4110.370	AXLE	
84	4220.120	DUMP WIRE	
85	4220.119	SONDE WIRE	
86	4220.167	ROCKER SWITCH WIRE	
88	4101.021	PC-BOARD SPACER	
89	4220.170	PC-BOARD	
90	4101.036	CONTROL PANEL	
91	4201.068	DISPLAY COVER	
92	4106.032	CONTROL PANEL LABEL	

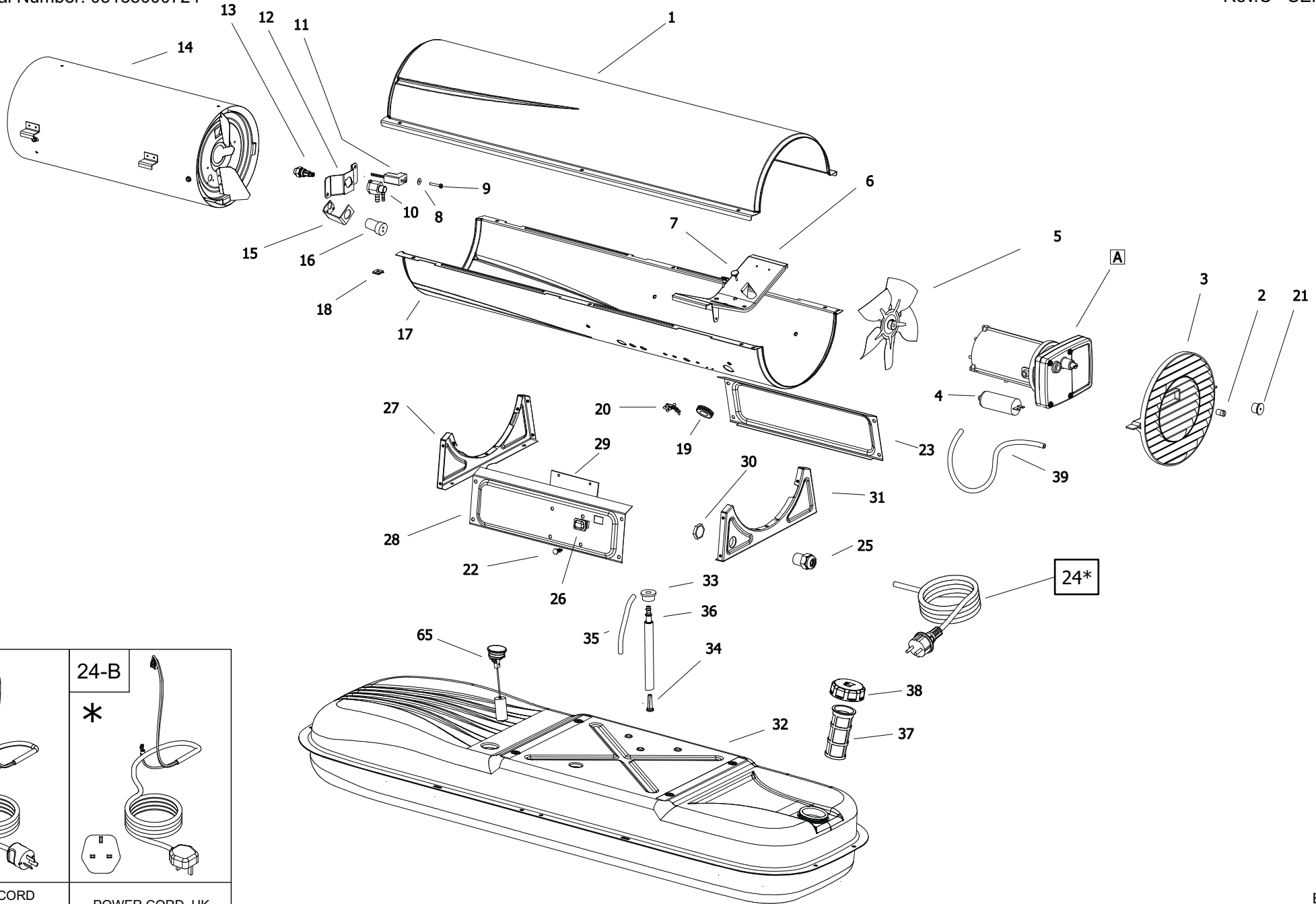
MODEL REM 22 CEL

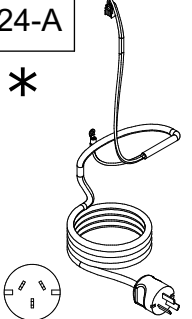
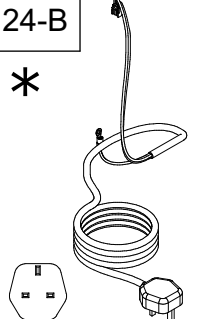
UNIT 1

ILLUSTRATED PARTS BREAKDOWN

From Serial Number: 05135000724

Rev.C - SEPT. 2015



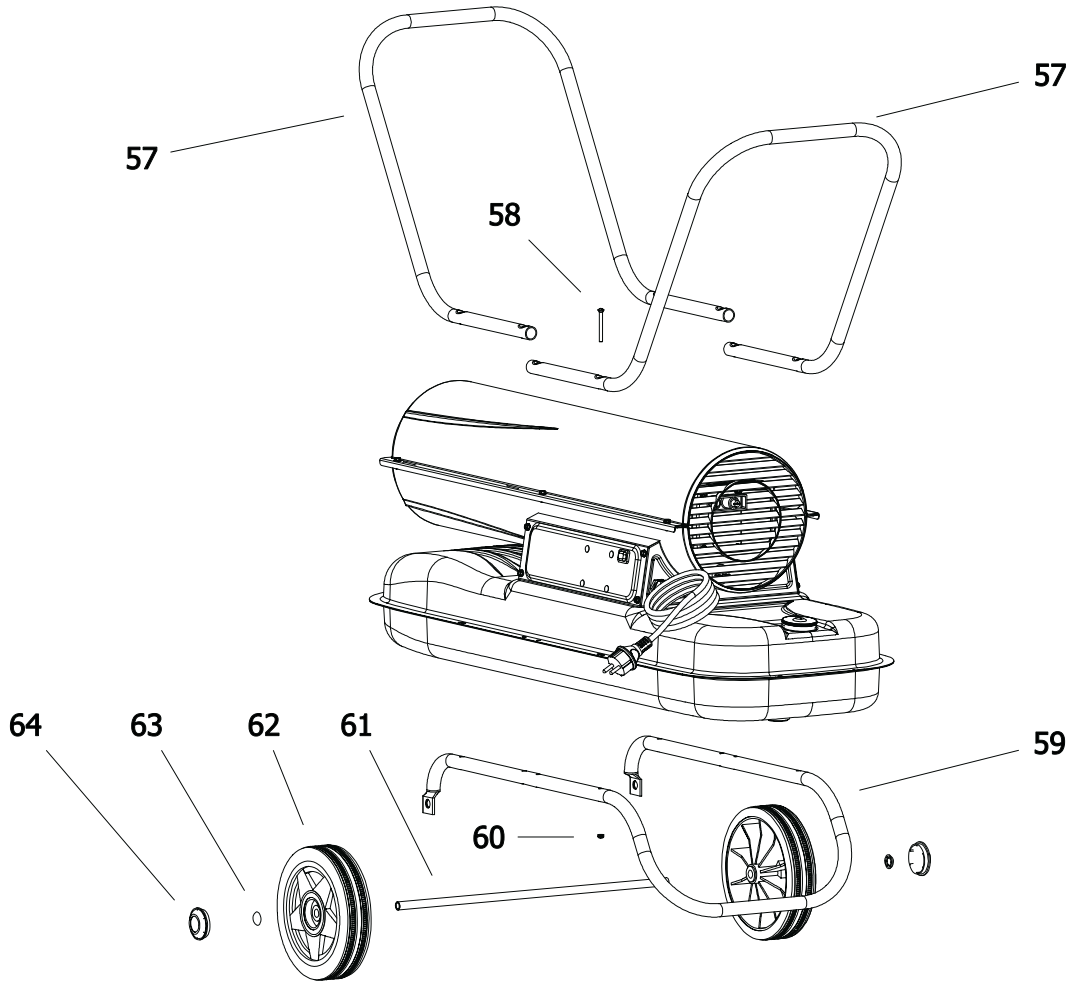
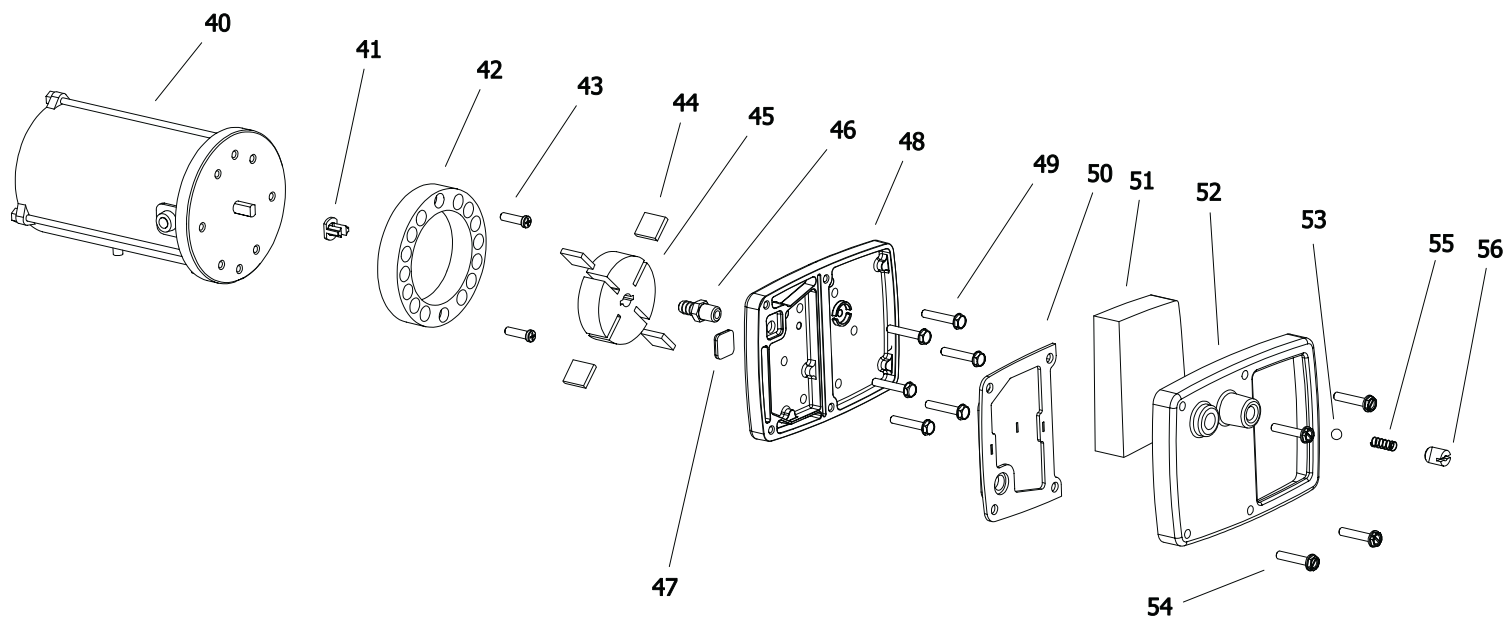
<p>24-A</p> <p>*</p>  <p>POWER CORD NEW ZEALAND</p>	<p>24-B</p> <p>*</p>  <p>POWER CORD UK</p>
---	---

MODEL REM 22 CEL

UNIT 2

ILLUSTRATED PARTS BREAKDOWN

A



MODEL REM 22 CEL

UNIT 3

PARTS LIST

Pos.	Code NR	Description	Rev. C - SEPT. 2015
1	4110.455	UPPER SHELL	
2	4102.125	PRESSURE GAUGE CAP	
3	4103.695	FAN GUARD	
4	4111.855	CAPACITOR	<i>Alternative code: 4110.294</i>
5	4110.415	FAN	
6	4110.186	MOTOR BRACKET	
7	4150.553	BUMPER	
8	4100.669	SCREW	
9	4100.660	WASHER	
10	4100.663	NOZZLE ADAPTER	
11	4110.081	IGNITOR	
12	4100.653	NOZZLE BRACKET	
13	4100.645	NOZZLE	
14	4110.050	COMBUSTION CHAMBER	
15	4100.659	PHOTOCELL BRACKET	
16	4103.590	PHOTOCELL ASSEMBLY	
17	4110.454	LOWER SHELL	
18	4104.170	CLIP NUT	
19	4160.646	CABLE PROTECTION	
20	4160.639	POP RIVET	
21	4100.666	COVER CAP	
22	4110.460	PC BOARD SUPPORT	
23	4110.379	RIGHT PANEL	
24	4110.451	POWER CORD	
24-A	4111.811	POWER CORD NEW ZEALAND	
24-B	4110.464	POWER CORD UK	
25	4150.528	STRAIN RELIEF	
26	4100.667	ON/OFF SWITCH	
27	4110.354	FORE FRAME BRACKET	
28	4110.477	CONTROL BOX SIDE PANEL	
29	4162.907	IGNITION CONTROL ASSEMBLY	
30	4100.656	LOCKNUT	
31	4110.353	REAR FRAME BRACKET	
32	4110.345	FUEL TANK	
33	4100.541	RUBBER BUSHING	
34	4110.356	FUEL FILTER	
35	4110.032	FUEL LINE	
36	4110.355	FUEL LINE	
37	4290.210	FUEL TANK FILTER	
38	4100.052	FUEL TANK CAP	
39	4104.147	AIR LINE	
40	4111.852	MOTOR 1/4 HP	<i>Alternative code: 4110.452</i>
41	4108.635	INSERT	
42	4110.068	PUMP BODY	
43	4110.302	PUMP BODY SCREW	
44	4101.200	BLADE	
45	4108.627	ROTOR	
46	4104.118	BARB FITTING	
47	4101.333	LINT FILTER	
48	4110.407	PUMP END COVER	
49	4108.528	SCREW/LOCKWASHER 4,8x25	
50	4101.341	OUTPUT FILTER	
51	4101.358	INTAKE FILTER	
52	4108.643	END COVER	
53	4108.379	STEEL BALL	
54	4108.528	SCREW/LOCKWASHER 4,8x25	
55	4102.141	PRESSURE RELIEF SPRING	

ESP00175

MODEL REM 22 CEL

UNIT 4

PARTS LIST

Pos.	Code NR	Description	<i>Rev. C - SEPT. 2015</i>
56	4102.133	ADJUSTING SCREW	
57	4110.368	HANDLES	
58	4110.518	SCREW	
59	4110.369	WHEEL SUPPORT FRAME	
60	4032.703	LOCK NUT	
61	4110.370	AXLE	
62	4110.084	WHEEL	
63	4110.162	WASHER	
64	4110.129	CAP NUT	
65	4260.017	FUEL GAUGE	

RECOMMENDED SPARE PARTS

POS.	Code NR	Description	<i>Rev. C - SEPT. 2015</i>
2	4102.125	PRESSURE GAUGE CAP	
4	4111.855	CAPACITOR	<i>Alternative code: 4110.294</i>
10	4100.663	NOZZLE ADAPTER	
11	4110.081	IGNITOR	
13	4100.645	NOZZLE	
16	4103.590	PHOTOCELL ASSEMBLY	
29	4162.907	IGNITION CONTROL ASSEMBLY	
34	4110.356	FUEL FILTER	
37	4105.292	FUEL TANK FILTER	
40	4111.852	MOTOR 1/4 HP	<i>Alternative code: 4110.452</i>
44	4101.200	BLADE	
45	4108.627	ROTOR	
47	4101.333	LINT FILTER	
50	4101.341	OUTPUT FILTER	
51	4101.358	INTAKE FILTER	
52	4108.643	END COVER	
53	4108.379	STEEL BALL	
56	4102.133	ADJUSTING SCREW	

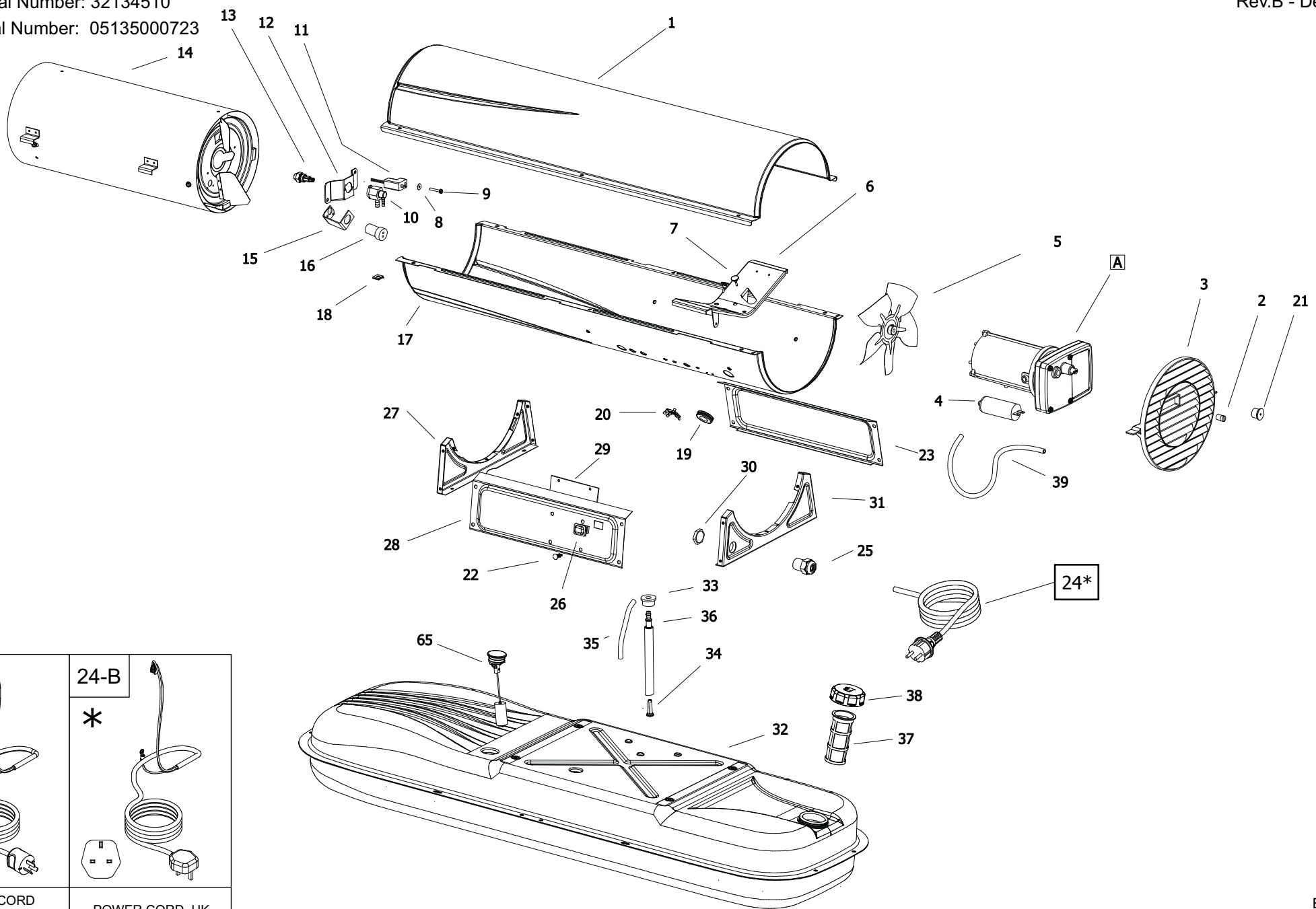
MODEL REM 22 CEL

UNIT 1

ILLUSTRATED PARTS BREAKDOWN

From Serial Number: 32134510
 Until Serial Number: 05135000723

Rev.B - Dec. 2012



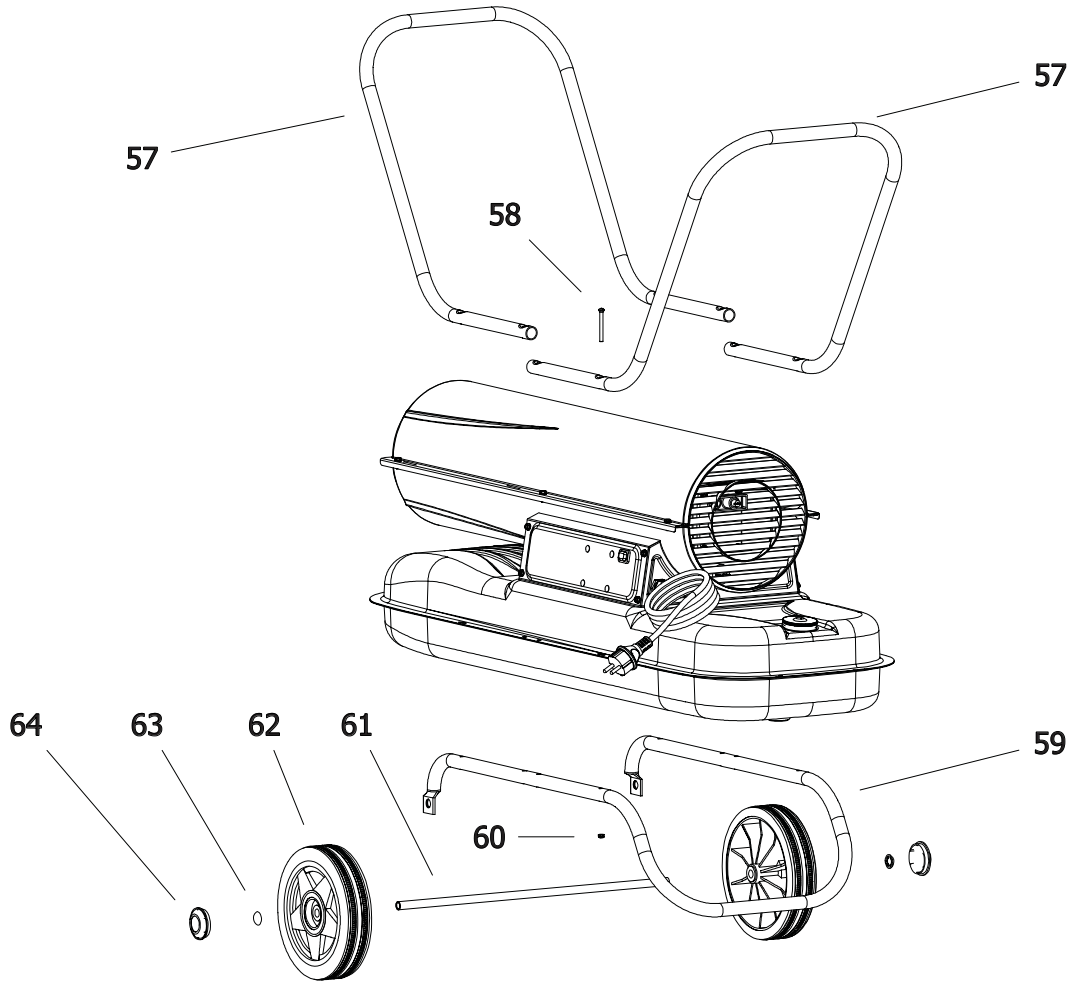
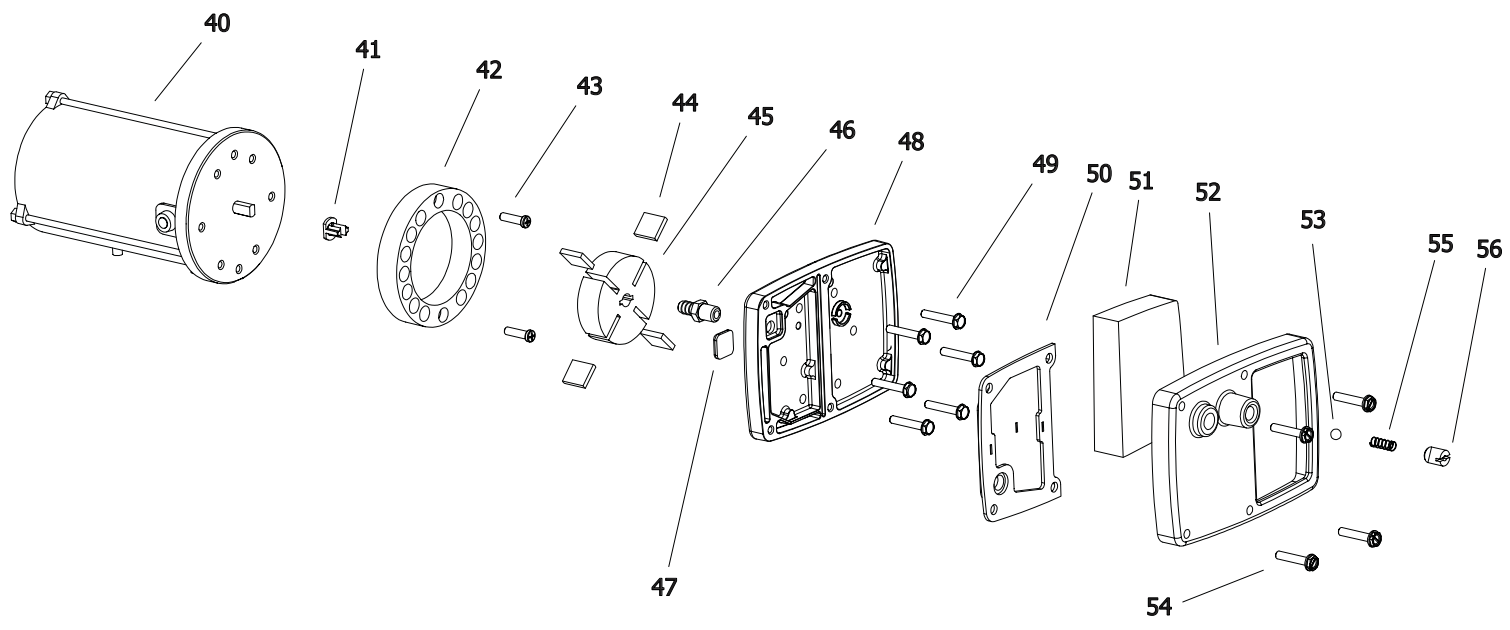
<p>24-A</p> <p>*</p> <p>POWER CORD NEW ZEALAND</p>	<p>24-B</p> <p>*</p> <p>POWER CORD UK</p>
--	---

MODEL REM 22 CEL

UNIT 2

ILLUSTRATED PARTS BREAKDOWN

A



MODEL REM 22 CEL

UNIT 3

PARTS LIST

Pos.	Code NR	Description	Rev. B - Dec. 2012
1	4110.455	UPPER SHELL	
2	4102.125	PRESSURE GAUGE CAP	
3	4103.695	FAN GUARD	
4	4111.855	CAPACITOR	<i>Alternative code: 4110.294</i>
5	4110.415	FAN	
6	4110.186	MOTOR BRACKET	
7	4150.553	BUMPER	
8	4100.669	SCREW	
9	4100.660	WASHER	
10	4100.663	NOZZLE ADAPTER	
11	4110.081	IGNITOR	
12	4100.653	NOZZLE BRACKET	
13	4100.645	NOZZLE	
14	4110.050	COMBUSTION CHAMBER	
15	4100.659	PHOTOCELL BRACKET	
16	4103.590	PHOTOCELL ASSEMBLY	
17	4110.454	LOWER SHELL	
18	4104.170	CLIP NUT	
19	4160.646	CABLE PROTECTION	
20	4160.639	POP RIVET	
21	4100.666	COVER CAP	
22	4110.460	PC BOARD SUPPORT	
23	4110.379	RIGHT PANEL	
24	4110.451	POWER CORD	
24-A	4111.811	POWER CORD NEW ZEALAND	
24-B	4110.464	POWER CORD UK	
25	4150.528	STRAIN RELIEF	
26	4100.667	ON/OFF SWITCH	
27	4110.354	FORE FRAME BRACKET	
28	4110.477	CONTROL BOX SIDE PANEL	
29	4162.907	IGNITION CONTROL ASSEMBLY	
30	4100.656	LOCKNUT	
31	4110.353	REAR FRAME BRACKET	
32	4110.345	FUEL TANK	
33	4100.541	RUBBER BUSHING	
34	4110.356	FUEL FILTER	
35	4110.032	FUEL LINE	
36	4110.355	FUEL LINE	
37	4290.026	FUEL TANK FILTER	
38	4100.052	FUEL TANK CAP	
39	4104.147	AIR LINE	
40	4111.852	MOTOR 1/4 HP	<i>Alternative code: 4110.452</i>
41	4108.635	INSERT	
42	4110.068	PUMP BODY	
43	4110.302	PUMP BODY SCREW	
44	4101.200	BLADE	
45	4108.627	ROTOR	
46	4104.118	BARB FITTING	
47	4101.333	LINT FILTER	
48	4110.407	PUMP END COVER	
49	4108.528	SCREW/LOCKWASHER 4,8x25	
50	4101.341	OUTPUT FILTER	
51	4101.358	INTAKE FILTER	
52	4108.643	END COVER	
53	4108.379	STEEL BALL	
54	4108.528	SCREW/LOCKWASHER 4,8x25	
55	4102.141	PRESSURE RELIEF SPRING	

ESP00175

MODEL REM 22 CEL

UNIT 4

PARTS LIST

Pos.	Code NR	Description	Rev. B - Dec. 2012
56	4102.133	ADJUSTING SCREW	
57	4110.368	HANDLES	
58	4110.518	SCREW	
59	4110.369	WHEEL SUPPORT FRAME	
60	4110.143	LOCK NUT	
61	4110.370	AXLE	
62	4110.084	WHEEL	
63	4110.162	WASHER	
64	4110.129	CAP NUT	
65	4260.017	FUEL GAUGE	

RECOMMENDED SPARE PARTS

POS.	Code NR	Description	Rev. B - Dec. 2012
2	4102.125	PRESSURE GAUGE CAP	
4	4111.855	CAPACITOR	Alternative code: 4110.294
10	4100.663	NOZZLE ADAPTER	
11	4110.081	IGNITOR	
13	4100.645	NOZZLE	
16	4103.590	PHOTOCELL ASSEMBLY	
29	4162.907	IGNITION CONTROL ASSEMBLY	
34	4110.356	FUEL FILTER	
37	4105.292	FUEL TANK FILTER	
40	4111.852	MOTOR 1/4 HP	Alternative code: 4110.452
44	4101.200	BLADE	
45	4108.627	ROTOR	
47	4101.333	LINT FILTER	
50	4101.341	OUTPUT FILTER	
51	4101.358	INTAKE FILTER	
52	4108.643	END COVER	
53	4108.379	STEEL BALL	
56	4102.133	ADJUSTING SCREW	

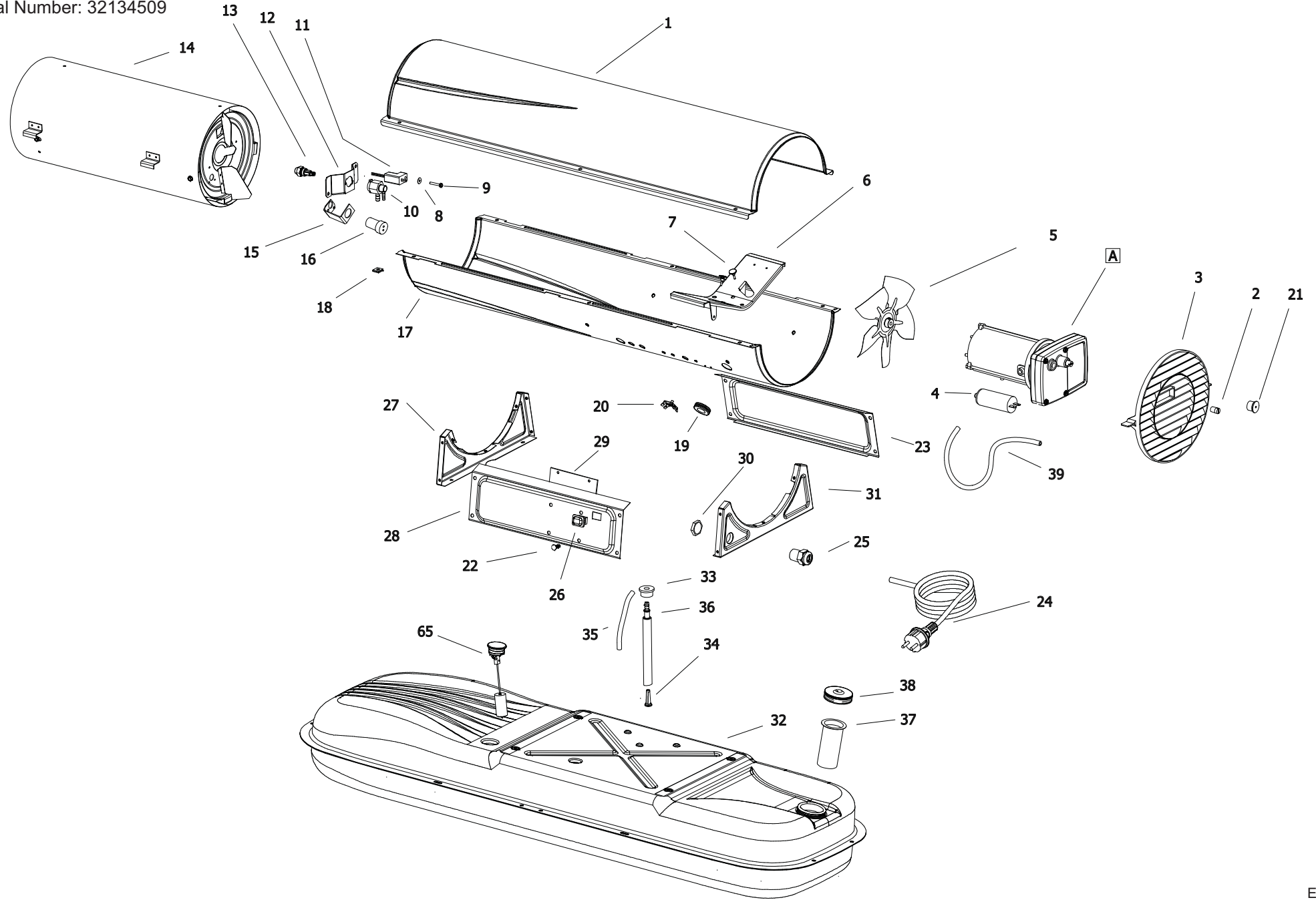
MODEL REM 22 CEL

UNIT 1

ILLUSTRATED PARTS BREAKDOWN

Rev.A - May 2012

From Serial Number: 31107473
Until Serial Number: 32134509

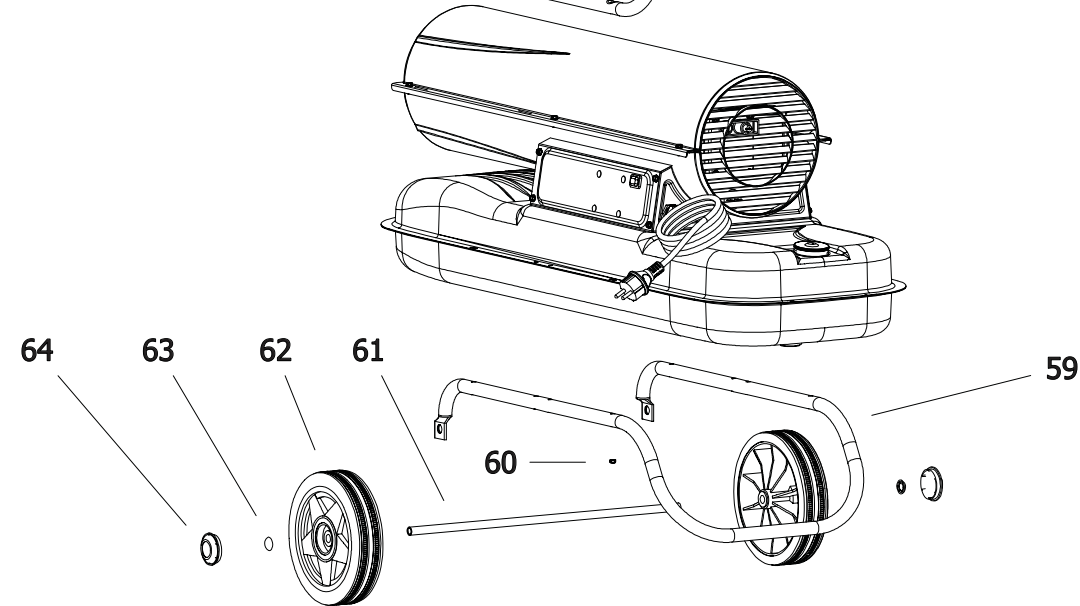
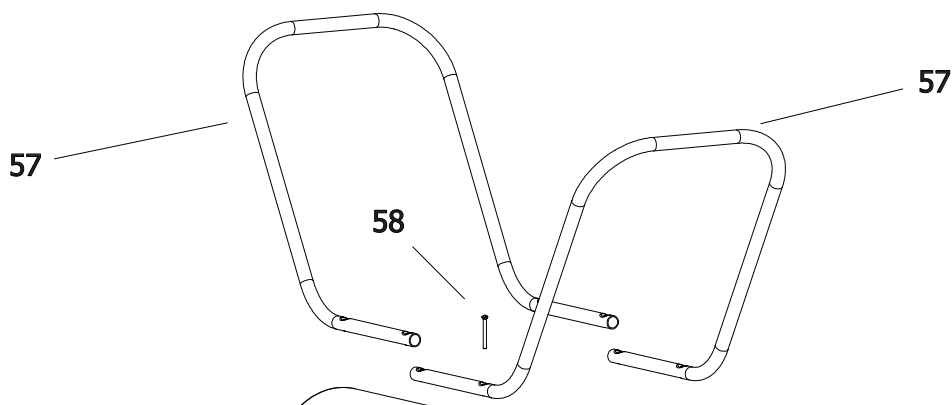
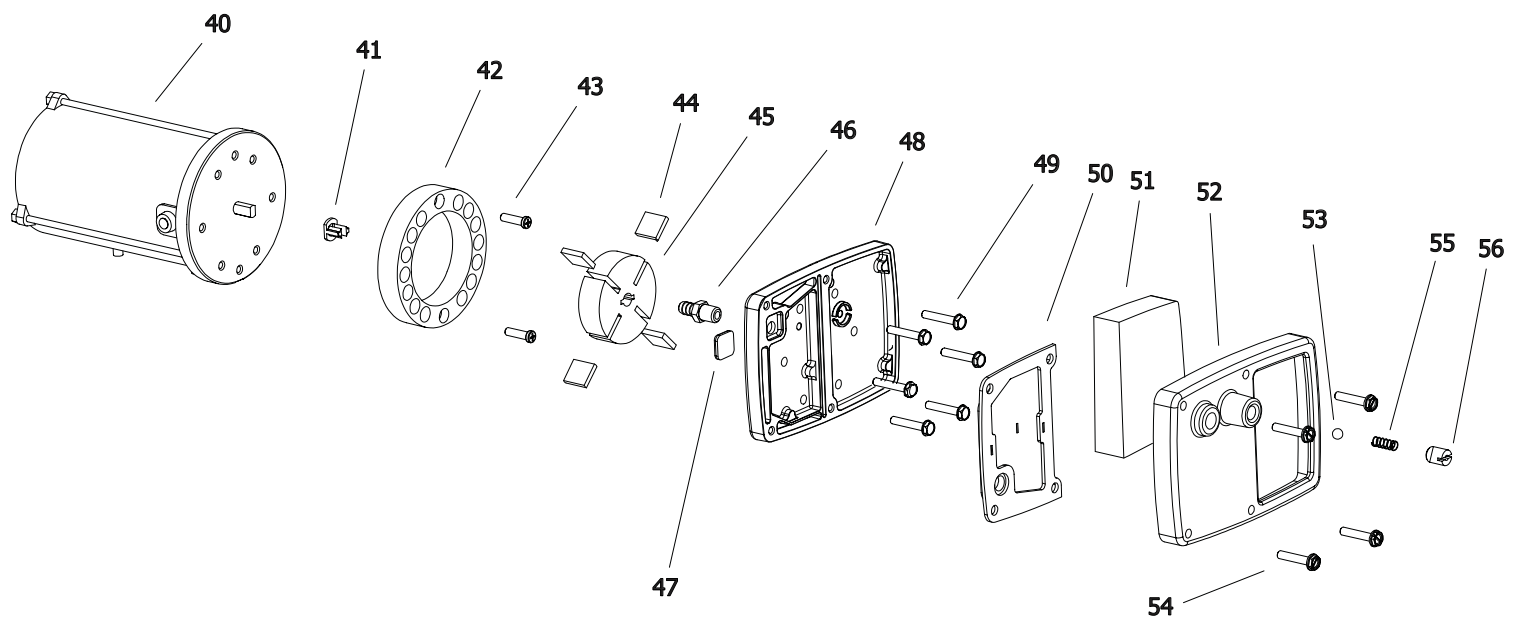


MODEL REM 22 CEL

UNIT 2

ILLUSTRATED PARTS BREAKDOWN

A



MODEL REM 22 CEL

UNIT 3

PARTS LIST

Pos.	Code NR	Description	Rev. A - May 2012
1	4110.455	UPPER SHELL	
2	4102.125	PRESSURE GAUGE CAP	
3	4103.695	FAN GUARD	
4	4110.294	CAPACITOR	<i>Alternative code: 4111.855</i>
5	4110.415	FAN	
6	4110.186	MOTOR BRACKET	
7	4150.553	BUMPER	
8	4100.669	SCREW	
9	4100.660	WASHER	
10	4100.663	NOZZLE ADAPTER	
11	4110.081	IGNITOR	
12	4100.653	NOZZLE BRACKET	
13	4100.645	NOZZLE	
14	4110.050	COMBUSTION CHAMBER	
15	4100.659	PHOTOCELL BRACKET	
16	4103.590	PHOTOCELL ASSEMBLY	
17	4110.454	LOWER SHELL	
18	4104.170	CLIP NUT	
19	4160.646	CABLE PROTECTION	
20	4160.639	POP RIVET	
21	4100.666	COVER CAP	
22	4110.460	PC BOARD SUPPORT	
23	4110.379	RIGHT PANEL	
24	4110.451	POWER CORD	
25	4150.528	STRAIN RELIEF	
26	4100.667	ON/OFF SWITCH	
27	4110.354	FORE FRAME BRACKET	
28	4110.477	CONTROL BOX SIDE PANEL	
29	4162.907	IGNITION CONTROL ASSEMBLY	
30	4100.656	LOCKNUT	
31	4110.353	REAR FRAME BRACKET	
32	4110.345	FUEL TANK	
33	4100.541	RUBBER BUSHING	
34	4110.356	FUEL FILTER	
35	4110.032	FUEL LINE	
36	4110.355	FUEL LINE	
37	4105.292	FUEL TANK FILTER	
38	4103.891	FUEL TANK CAP	
39	4104.147	AIR LINE	
40	4110.452	MOTOR 1/4 HP	<i>Alternative code: 4111.852</i>
41	4108.635	INSERT	
42	4110.068	PUMP BODY	
43	4110.302	PUMP BODY SCREW	
44	4101.200	BLADE	
45	4108.627	ROTOR	
46	4104.118	BARB FITTING	
47	4101.333	LINT FILTER	
48	4110.407	PUMP END COVER	
49	4108.528	SCREW/LOCKWASHER 4,8x25	
50	4101.341	OUTPUT FILTER	
51	4101.358	INTAKE FILTER	
52	4108.643	END COVER	
53	4108.379	STEEL BALL	
54	4108.528	SCREW/LOCKWASHER 4,8x25	
55	4102.141	PRESSURE RELIEF SPRING	
56	4102.133	ADJUSTING SCREW	

MODEL REM 22 CEL

UNIT 4

PARTS LIST

Pos.	Code NR	Description	<i>Rev. A - May 2012</i>
57	4110.368	HANDLES	
58	4110.518	SCREW	
59	4110.369	WHEEL SUPPORT FRAME	
60	4110.143	LOCK NUT	
61	4110.370	AXLE	
62	4110.084	WHEEL	
63	4110.162	WASHER	
64	4110.129	CAP NUT	
65	4260.017	FUEL GAUGE	

RECOMMENDED SPARE PARTS

POS.	Code NR	Description	<i>Rev. A - May 2012</i>
2	4102.125	PRESSURE GAUGE CAP	
4	4110.294	CAPACITOR	<i>Alternative code: 4111.855</i>
10	4100.663	NOZZLE ADAPTER	
11	4110.081	IGNITOR	
13	4100.645	NOZZLE	
16	4103.590	PHOTOCELL ASSEMBLY	
29	4162.907	IGNITION CONTROL ASSEMBLY	
34	4110.356	FUEL FILTER	
37	4105.292	FUEL TANK FILTER	
40	4110.452	MOTOR 1/4 HP	<i>Alternative code: 4111.852</i>
44	4101.200	BLADE	
45	4108.627	ROTOR	
47	4101.333	LINT FILTER	
50	4101.341	OUTPUT FILTER	
51	4101.358	INTAKE FILTER	
52	4108.643	END COVER	
53	4108.379	STEEL BALL	
56	4102.133	ADJUSTING SCREW	

MODEL REM 22 CEL

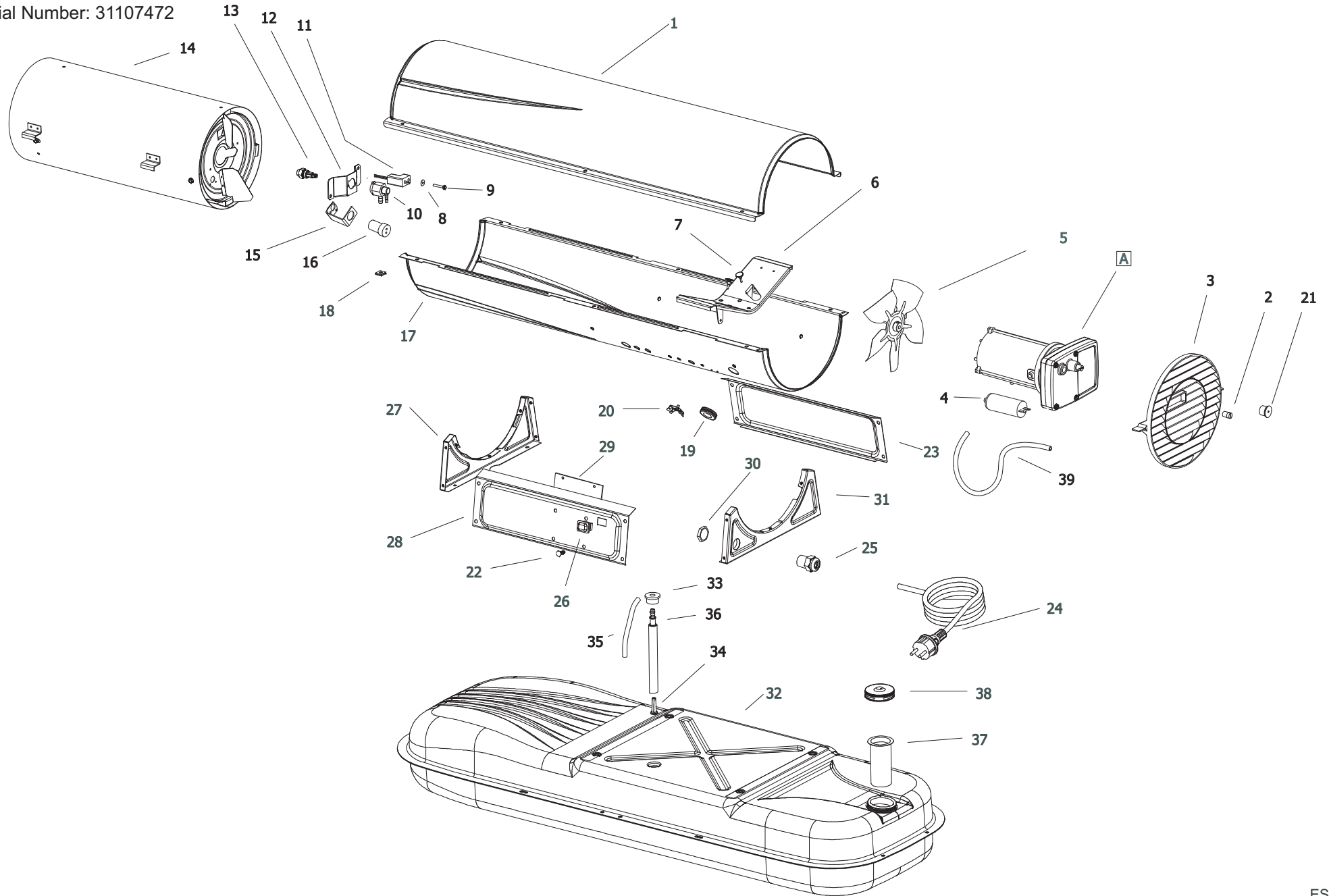
UNIT 1

ILLUSTRATED PARTS BREAKDOWN

From Serial Number: 30105440

Emission - May 2011

Until Serial Number: 31107472



MODEL REM 22 CEL

UNIT 2

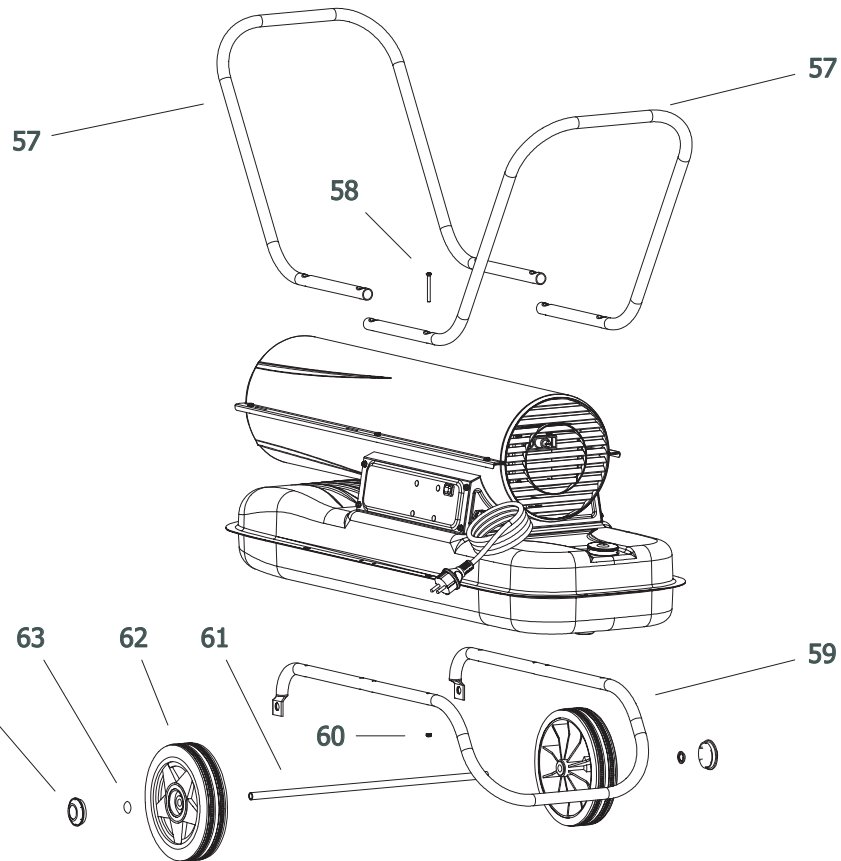
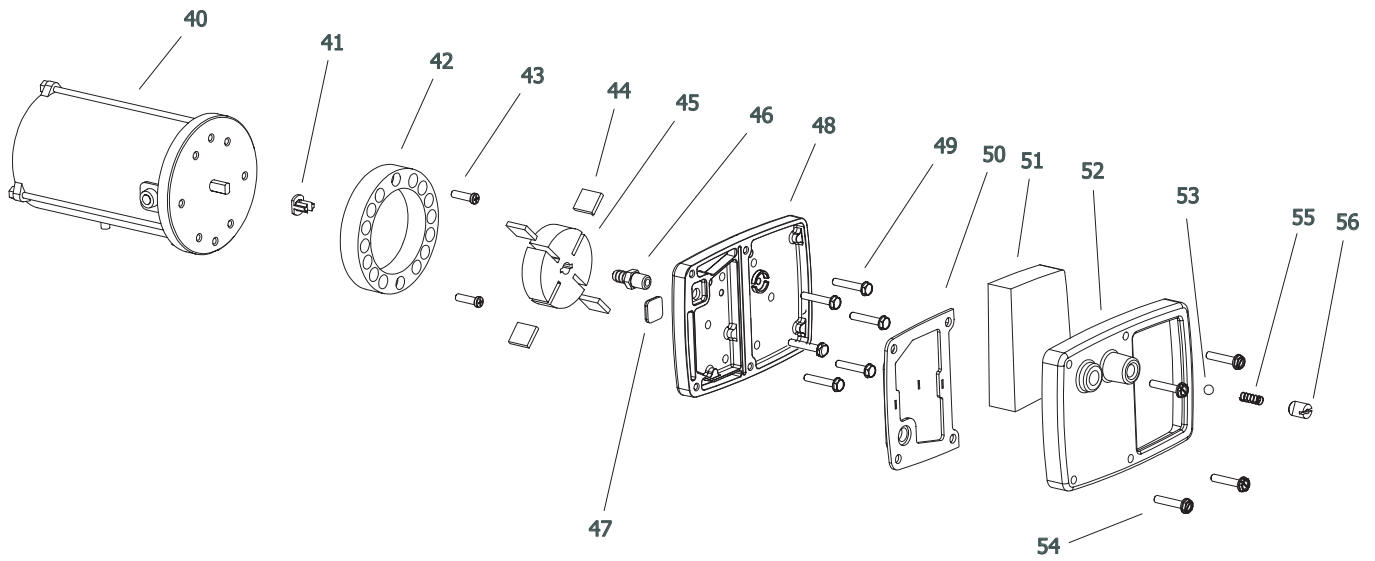
ILLUSTRATED PARTS BREAKDOWN

A

From Serial Number: 30105440

Emission - May 2011

Until Serial Number: 31107472



MODEL REM 22 CEL

UNIT 3

PARTS LIST

Pos.	Code NR	Description	Rev Emiss. - May 2011
1	4110.455	UPPER SHELL	
2	4102.125	PRESSURE GAUGE CAP	
3	4103.695	FAN GUARD	
4	4110.294	CAPACITOR	
5	4110.415	FAN	
6	4110.186	MOTOR BRACKET	
7	4150.553	BUMPER	
8	4100.669	SCREW	
9	4100.660	WASHER	
10	4100.663	NOZZLE ADAPTER	
11	4110.081	IGNITOR	
12	4100.653	NOZZLE BRACKET	
13	4100.645	NOZZLE	
14	4110.050	COMBUSTION CHAMBER	
15	4100.659	PHOTOCELL BRACKET	
16	4103.590	PHOTOCELL ASSEMBLY	
17	4110.454	LOWER SHELL	
18	4104.170	CLIP NUT	
19	4160.646	CABLE PROTECTION	
20	4160.639	POP RIVET	
21	4100.666	COVER CAP	
22	4110.460	PC BOARD SUPPORT	
23	4110.379	RIGHT PANEL	
24	4110.451	POWER CORD	
25	4150.528	STRAIN RELIEF	
26	4100.667	ON/OFF SWITCH	
27	4110.354	FORE FRAME BRACKET	
28	4110.477	CONTROL BOX SIDE PANEL	
29	4162.907	IGNITION CONTROL ASSEMBLY	
30	4100.656	LOCKNUT	
31	4110.353	REAR FRAME BRACKET	
32	4110.345	FUEL TANK	
33	4100.541	RUBBER BUSHING	
34	4110.356	FUEL FILTER	
35	4110.032	FUEL LINE	
36	4110.355	FUEL LINE	
37	4105.292	FUEL TANK FILTER	
38	4103.891	FUEL TANK CAP	
39	4104.147	AIR LINE	
40	4110.452	MOTOR 1/4 HP	
41	4108.635	INSERT	
42	4110.068	PUMP BODY	
43	4110.302	PUMP BODY SCREW	
44	4101.200	BLADE	
45	4108.627	ROTOR	
46	4104.118	BARB FITTING	
47	4101.333	LINT FILTER	
48	4110.407	PUMP END COVER	
49	4108.528	SCREW/LOCKWASHER 4,8x25	
50	4101.341	OUTPUT FILTER	
51	4101.358	INTAKE FILTER	
52	4108.643	END COVER	
53	4108.379	STEEL BALL	
54	4108.528	SCREW/LOCKWASHER 4,8x25	
55	4102.141	PRESSURE RELIEF SPRING	
56	4102.133	ADJUSTING SCREW	

ESP00175

MODEL REM 22 CEL

UNIT 4

PARTS LIST

Pos.	Code NR	Description	Rev Emiss. - May 2011
57	4110.368	HANDLES	
58	4110.518	SCREW	
59	4110.369	WHEEL SUPPORT FRAME	
60	4110.143	LOCK NUT	
61	4110.370	AXLE	
62	4110.084	WHEEL	
63	4110.162	WASHER	
64	4110.129	CAP NUT	

RECOMMENDED SPARE PARTS

POS.	Code NR	Description
2	4102.125	PRESSURE GAUGE CAP
4	4110.294	CAPACITOR
10	4100.663	NOZZLE ADAPTER
11	4110.081	IGNITOR
13	4100.645	NOZZLE
16	4103.590	PHOTOCELL ASSEMBLY
29	4162.907	IGNITION CONTROL ASSEMBLY
34	4110.356	FUEL FILTER
37	4105.292	FUEL TANK FILTER
40	4110.452	MOTOR 1/4 HP
44	4101.200	BLADE
45	4108.627	ROTOR
47	4101.333	LINT FILTER
50	4101.341	OUTPUT FILTER
51	4101.358	INTAKE FILTER
52	4108.643	END COVER
53	4108.379	STEEL BALL
56	4102.133	ADJUSTING SCREW