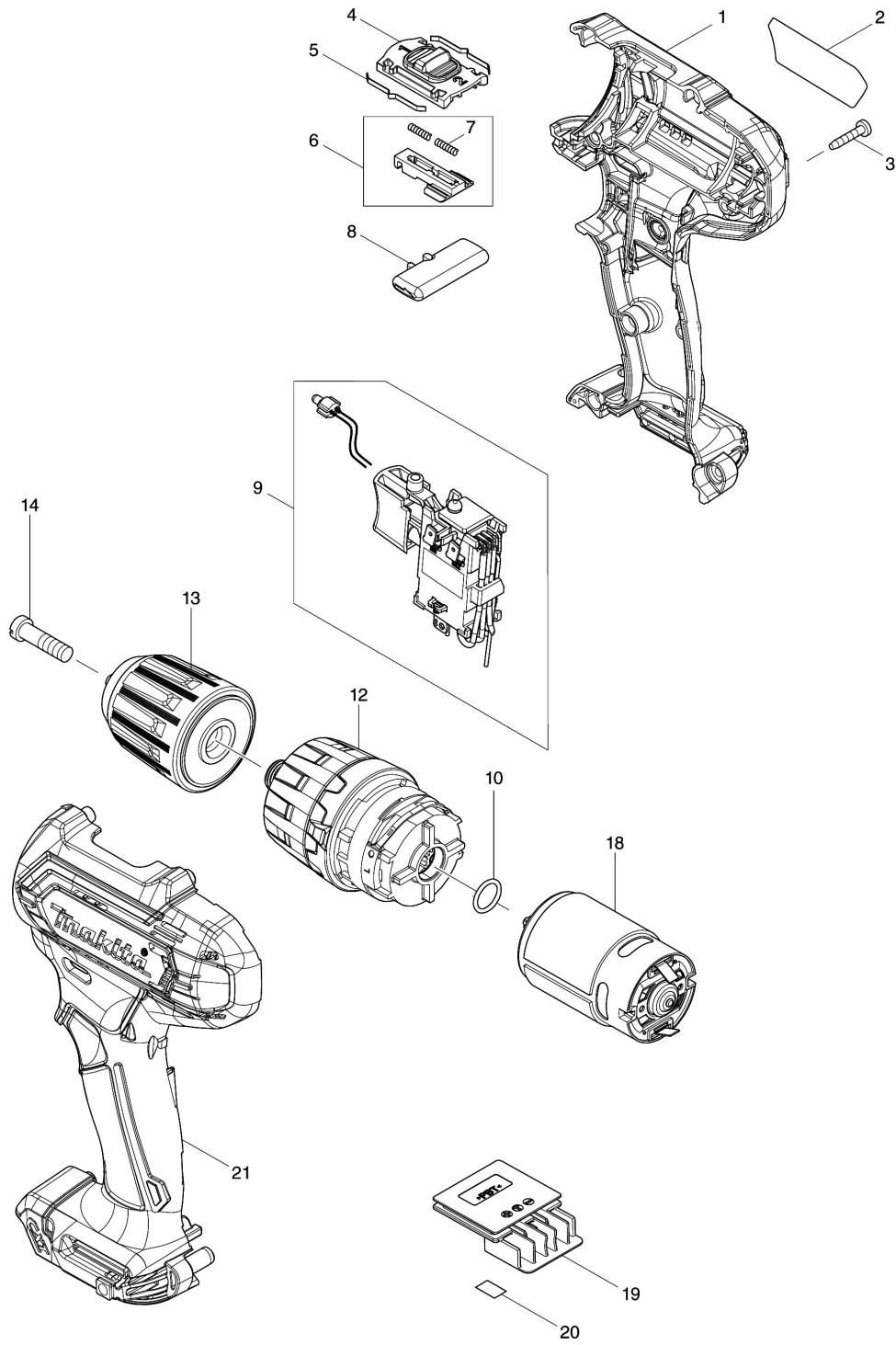


Model No.HP333D CORDLESS HAMMER DRIVER DRILL



## Model No.HP333D CORDLESS HAMMER DRIVER DRILL

cod	cod piesa	descriere	interschimbare	cantitate	New/Old	optiunea 1	optiunea 2	nota
001	183K90-5	HOUSING SET		1				
C10	252126-6	HEX. LOCKING NUT M4-7 MT081		2				
D10		INC. 21						
002	855E12-6	HP333D NAME PLATE		1				
003	266429-2	SURUB AUTOFILETANT 3X16 MT081		9				
004	459026-3	SPEED CHANGE LEVER		1				
005	232493-5	LEAF SPRING		2				
006	127127-2	CHANGE LEVER ASSEMBLY		1				
D10		INC. 7						
007	233025-1	ARC DE COMPRESIE 2 JR3060T		2				
008	456039-5	F/R CHANGE LEVER		1				
009	632J76-5	SWITCH UNIT		1				
C10	620625-0	LED CIRCUIT		1				
C20	688161-2	INEL FILTRU BDF446RFE		1				
010	213176-6	O RING 14		1				
012	127124-8	GEAR ASSEMBLY		1				
013	763238-5	KEYLESS DRILL CHUCK 10		1				
014	251468-5	SURUB M6X22		1				
018	629395-8	DC MOTOR		1				
019	644813-5	TERMINAL		1				
020	855E19-2	HP333D SERIAL NO. LABEL		1				
021	183K90-5	HOUSING SET		1				
C10	252126-6	HEX. LOCKING NUT M4-7 MT081		2				
D10		INC. 1						
A01	251314-2	SURUB M4X12		1				
A02	346909-5	HOOK		1				
A03	784244-7	BIT 2-50 TD0101F		1				
A04B	821661-1	PLASTIC CARRYING CASE		1				
C10	417724-5	OPRITOR BDF459		2				
A04C	821661-1	PLASTIC CARRYING CASE		1				
C10	417724-5	OPRITOR BDF459		2				
A04D	821661-1	PLASTIC CARRYING CASE		1				
C10	417724-5	OPRITOR BDF459		2				
A04E	821661-1	PLASTIC CARRYING CASE		1				
C10	417724-5	OPRITOR BDF459		2				
A04F	821661-1	PLASTIC CARRYING CASE		1				
C10	417724-5	OPRITOR BDF459		2				
A04G	821697-0	PLASTIC CASE		1				
C10	455522-9	SLIDE LATCH		2				
A04H	821697-0	PLASTIC CASE		1				
C10	455522-9	SLIDE LATCH		2				
A04I	821697-0	PLASTIC CASE		1				

## Model No.HP333D CORDLESS HAMMER DRIVER DRILL

cod	cod piesa	descriere	interschimbare	cantitate	New/Old	optiunea 1	optiunea 2	nota
C10	455522-9	SLIDE LATCH		2				
A05B	818P48-2	HP333DWYE MODEL NO. LABEL		1				
A05C	818P52-1	HP333DSAE MODEL NO. LABEL		1				
A05D	818P54-7	HP333DWAE MODEL NO. LABEL		1				
A05E	818P56-3	HP333DSME MODEL NO. LABEL		1				
A05F	818P58-9	HP333DWME MODEL NO. LABEL		1				
A05G	818P52-1	HP333DSAE MODEL NO. LABEL		1				
A05H	818P54-7	HP333DWAE MODEL NO. LABEL		1				
A05I	818P56-3	HP333DSME MODEL NO. LABEL		1				
A08B	456128-6	BATTERY COVER		1				
A08C	456128-6	BATTERY COVER		1				
A08D	456128-6	BATTERY COVER		1				
A08E	456128-6	BATTERY COVER		1				
A08F	456128-6	BATTERY COVER		1				
A08G	456128-6	BATTERY COVER		1				
A08H	456128-6	BATTERY COVER		1				
A08I	456128-6	BATTERY COVER		1				
A09B	***DC10WD	DC10WD BATTERY CHARGER		1				
D10		COMPO-PARTS						
A09C	***DC10SB	DC10SB BATTERY CHARGER		1				
D10		COMPO-PARTS						
A09D	***DC10WD	DC10WD BATTERY CHARGER		1				
D10		COMPO-PARTS						
A09E	***DC10SB	DC10SB BATTERY CHARGER		1				
D10		COMPO-PARTS						
A09F	***DC10WD	DC10WD BATTERY CHARGER		1				
D10		COMPO-PARTS						
A09G	***DC10SB	DC10SB BATTERY CHARGER		1				
D10		COMPO-PARTS						
A09H	***DC10WD	DC10WD BATTERY CHARGER		1				
D10		COMPO-PARTS						
A09I	***DC10SB	DC10SB BATTERY CHARGER		1				
D10		COMPO-PARTS						
A10B	197393-5	BATTERY BL1016 SET		2				
A10C	197396-9	BATTERY BL1021B SET		2	*			
A10D	197396-9	BATTERY BL1021B SET		2	*			
A10E	197406-2	BATTERY BL1041B SET		2	*			
A10F	197406-2	BATTERY BL1041B SET		2	*			
A10G	197396-9	BATTERY BL1021B SET		2	*			

Please order the parts with part number.

Print Date 1/7/2021

## Model No.HP333D CORDLESS HAMMER DRIVER DRILL

cod	cod piesa	descriere	interschimbare	cantitate	New/Old	optiunea 1	optiunea 2	nota
A10H	197396-9	BATTERY BL1021B SET		2	*			
A10I	197406-2	BATTERY BL1041B SET		2	*			
A10-1C	197396-9	BATTERY BL1021B SET	O	2				
A10-1D	197396-9	BATTERY BL1021B SET	O	2				
A10-1E	197406-2	BATTERY BL1041B SET	O	2				
A10-1F	197406-2	BATTERY BL1041B SET	O	2				
A10-1G	197396-9	BATTERY BL1021B SET	O	2				
A10-1H	197396-9	BATTERY BL1021B SET	O	2				
A10-1I	197406-2	BATTERY BL1041B SET	O	2				
A11G	D-52320	74PCS. BIT SET, MM, TYPE MZ		1				
A11H	D-52320	74PCS. BIT SET, MM, TYPE MZ		1				
A11I	D-52320	74PCS. BIT SET, MM, TYPE MZ		1				
E01	632N11-7	LINE FILTER UNIT		1				

Please order the parts with part number.

Print Date 1/7/2021