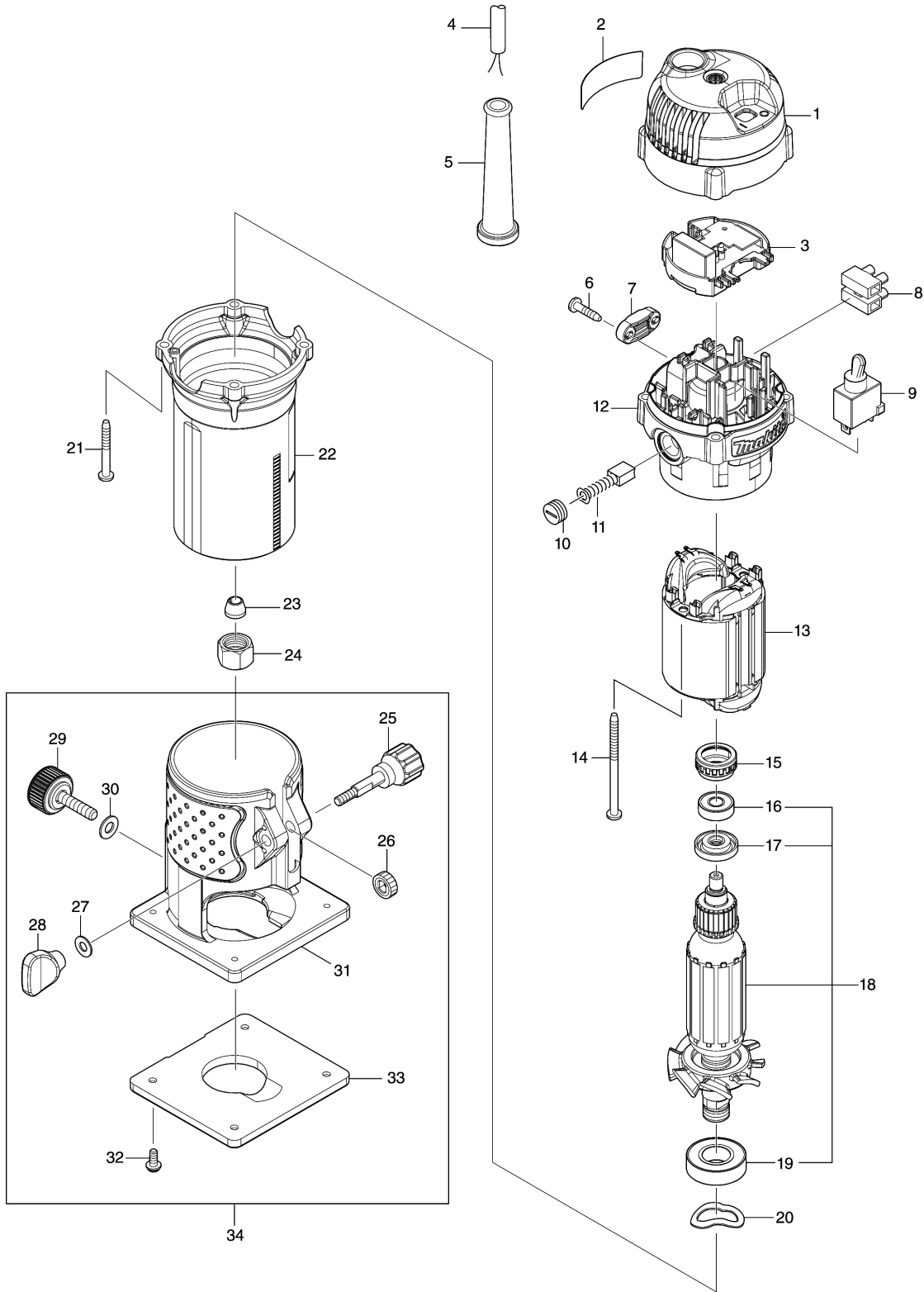


# Model No.3711 TRIMMER



Model No.3711 TRIMMER

cod	cod piesa	descriere	interschimbare	cantitate	New/Old	optiunea 1	optiunea 2	nota
001	413774-8	TOP COVER		1				
002	811T68-9	3711 NAME PLATE		1				
003	620F47-0	CONTROLLER		1				
C10	646358-9	LINE COIL		1				
004	665394-6	POWER SUPPLY CORD 1.0-2-2.5		1				
005	682569-2	CORD GUARD 8-85		1				
006	266326-2	TAPPING SCREW 4X18		2				
007	687124-5	STRAIN RELIEF		1				
008	654531-7	TERMINAL BLOCK 2P		1				
009	651066-9	SWITCH ST115A-TB-S1		1				
010	643550-8	BRUSH HOLDER CAP 5-8		2				
011	191940-4	CARBON BRUSH CB-411		1				
012	141D19-5	BRACKET COMPLETE		1				
013	634774-7	FIELD		1				
014	266340-8	TAPPING SCREW 4X65		2				
015	421494-0	RUBBER RING 19		1				
016	210034-7	BALL BEARING 607LLB		1				
017	681668-7	INSULATION WASHER		1				
018	515634-1	ARMATURE ASS'Y 240V		1				
C10	241667-7	FAN 52		1				
D10		INC. 16,17,19						
019	211489-9	BALL BEARING 6002LLUX		1				
020	267785-3	WAVE WASHER 23		1				
021	266351-3	TAPPING SCREW 4X35		4				
022	141D78-9	MOTOR HOUSING COMPLETE		1				
C10	8034K8-2	SCALE LABEL		1				
023	763662-2	COLLET CONE 6		1				
024	763661-4	COLLET NUT 6		1				
025	265771-8	THUMB SCREW M5X33		1				
026	226217-9	SPUR GEAR 16		1				
027	941101-4	FLAT WASHER 5		1				
028	252652-5	THUMB NUT M5		1				
029	265763-7	THUMB SCREW M6X25		1				
030	941151-9	FLAT WASHER 6		1				
031	419138-4	BASE		1				
032	265142-9	+ PAN HEAD SCREW M4X10		4				
033	410585-2	BASE PROTECTOR		1				
034	194267-1	TRIMMER BASE ASSEMBLY SET		1				
D10		INC. 25-33						
A01	122703-7	TRIMMER GUIDE ASS'Y		1				