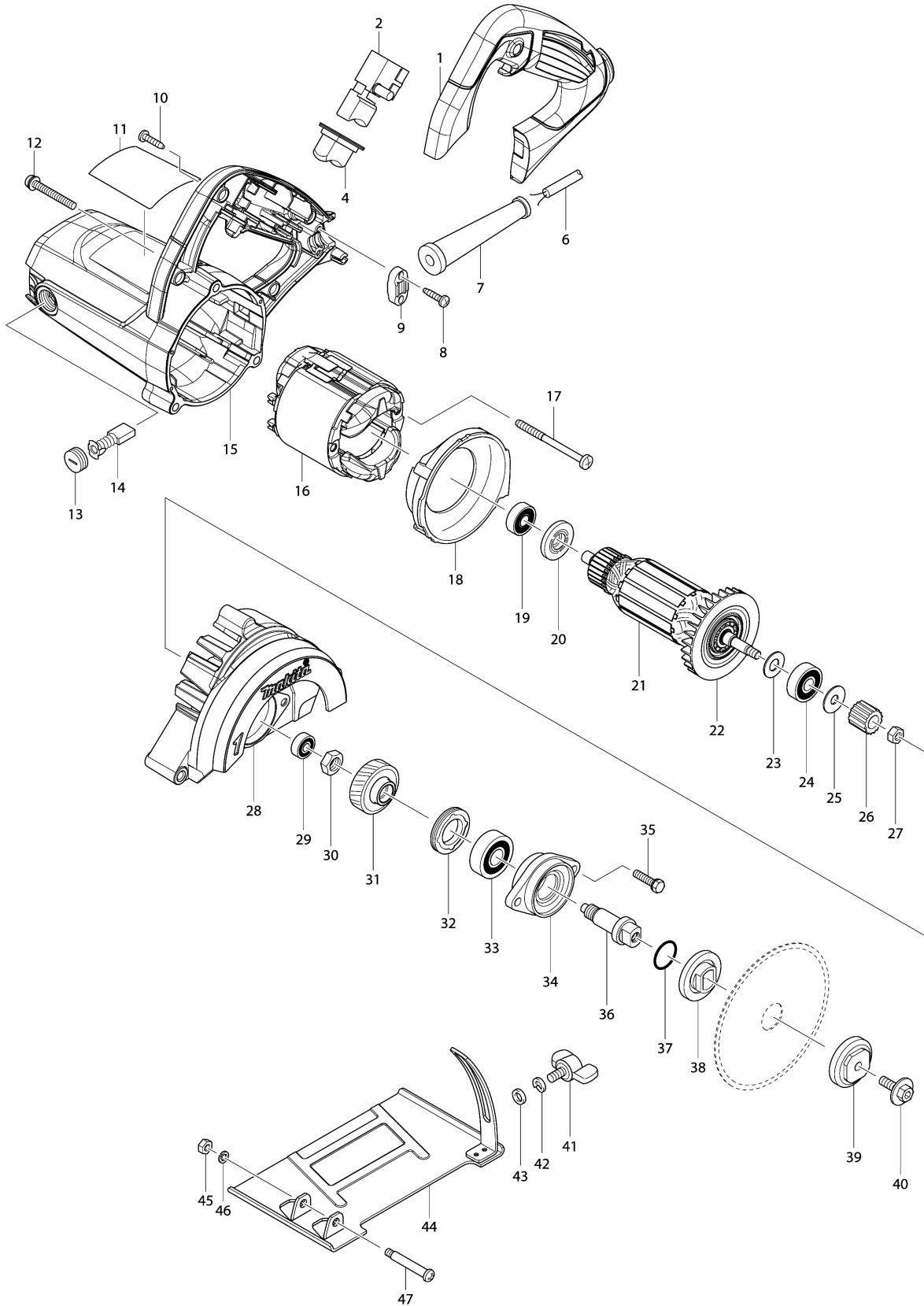


Model No.4100NH3 110MM CUTTER



Model No.4100NH3 110MM CUTTER

cod	cod piesa	descriere	interschimbare	cantitate	New/Old	optiunea 1	optiunea 2	nota
001	454557-7	HANDLE COVER		1				
002	650250-3	SWITCH FA1-6/1D-3		1				
004	424585-6	DUST COVER		1				
006	665865-3	POWER SUPPLY CORD 1.0-2-2.5		1				
007	682540-6	PROTECTIE CABLU		1				
008	266326-2	SURUB AUTOFILETANT 4X18		2				
009	687124-5	FIXATOR DE CABLU MT240		1				
010	266326-2	SURUB AUTOFILETANT 4X18		4				
011	814L09-6	4100NH3 NAME PLATE		1				
012	265104-7	SURUB M5X40		3				
013	643750-0	CAPAC PERII		2				
014	191963-2	PERII CARBON CB-303		1				
015	142142-5	MOTOR HOUSING COMPLETE		1				
C10	643708-9	SUPORT PERII 5X11		2				
016	594674-2	FIELD ASS'Y 240V		1				
C10	654020-2	ARC CONTACT		2				
C20	654501-6	TUB CONECTOR P-1.25		2				
017	266352-1	SURUB AUTOFILETANT 5X65 MT903		2				
018	417810-2	BAFFLE PLATE		1				
019	211395-8	BALL BEARING 608LLU		1				
020	681644-1	SAIBA IZOLATOARE		1				
021	513869-8	ARMATURE ASS'Y 240V		1				
D10		INC. 19,20,22-24						
022	240053-9	FAN 65		1				
023	267237-4	FLAT WASHER 9		1				
024	211092-6	RULMENT 629DDW		1				
025	267239-0	SAIBA PLATA 7 MT923		1				
026	226552-5	HELICAL GEAR 15		1				
027	252186-8	PIULITA M6 9554-58NB		1				
028	142143-3	BLADE CASE COMPLETE		1	*			
C10	213445-5	ORING 26 9554-58NB		1	*			
028-1	142143-3	BLADE CASE COMPLETE	O	1				
C10	213445-5	ORING 26 9554-58NB		1				
029	210028-2	RULMENT BSS		1				
030	252170-3	HEX. NUT M10-17		1				
031	227767-7	HELICAL GEAR 34		1				
032	285840-9	BEARING RETAINER 19- 33 MT582		1				
033	211129-9	RULMENT 6201DDW		1				
034	317550-1	BEARING BOX		1				