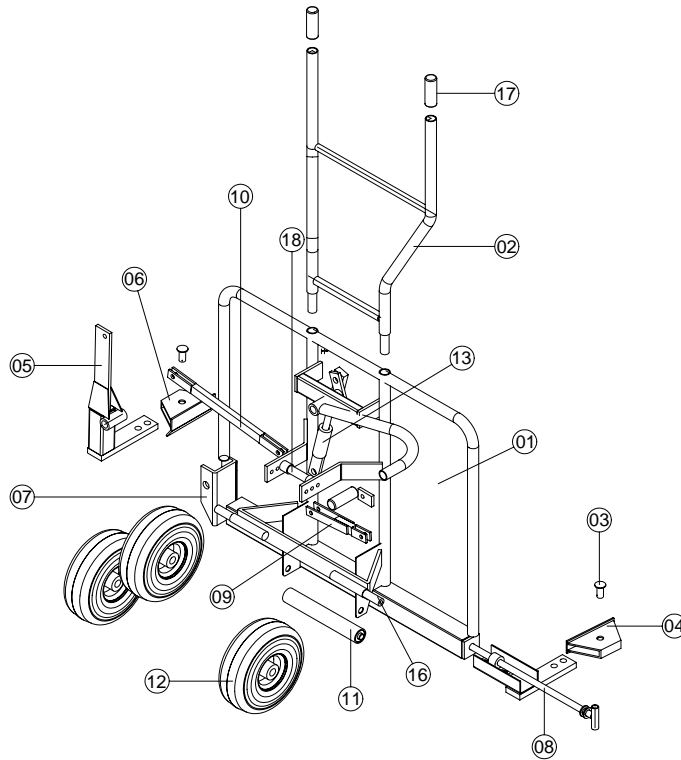


ORIT Brick Paver Transport Car



Nr.	Spare part	Specification	Ordering number
0	ORIT Brick Paver Transport Car		BPTC-0000-000
1	Frame transport car		BPTC-0000-001
2	Lever transport car		BPTC-0000-002
3	Safety clip pen		BPTC-0000-003
4	Linear clip hand		BPTC-0000-004
5	Rotary clip arm		BPTC-0000-005
6	Rotary clip hand		BPTC-0000-006
7	Hinge pin		BPTC-0000-007
8	Screwspindle		BPTC-0000-008
9	Drawbar 1		BPTC-0000-009
10	Drawbar 2		BPTC-0000-010
11	Roller tube		BPTC-0000-011
12	Wheel		BPTC-0000-012
13	Cylinder		BPTC-0000-013
14	Drawbar bolt	M12 x 50 DIN	BPTC-0000-014
15	Drawbar nut	M12 DIN 934	BPTC-0000-015
16	Axle		BPTC-0000-016
17	Handle		BPTC-0000-017
18	Axle front		BPTC-0000-018

All rights reserved
 Tel: +31 (0)13-4679128 Fax: +31 (0)13-4679127 E-mail: info@orit.nl
 Website: www.orit.nl