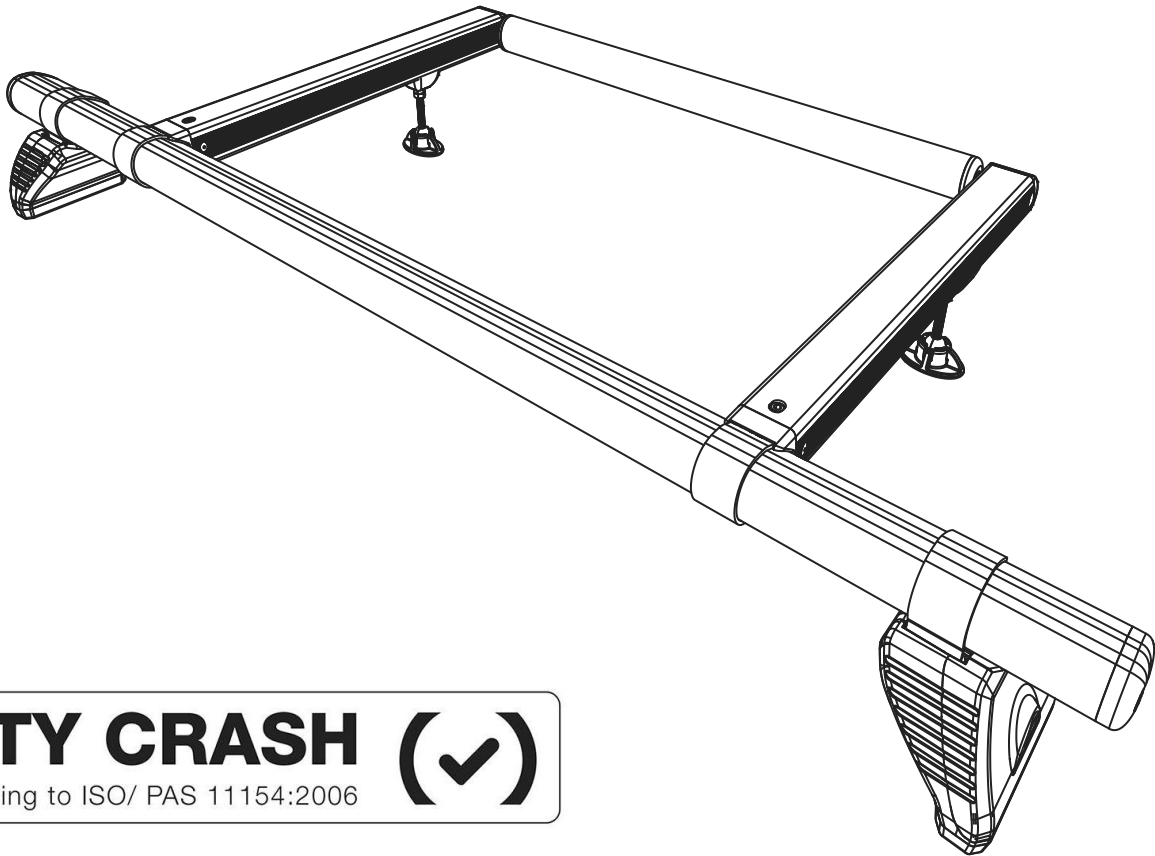


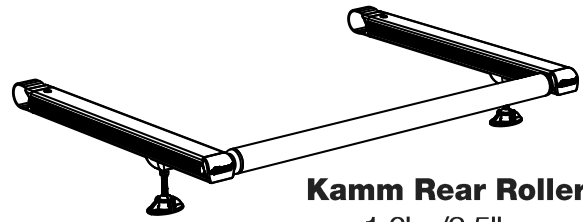
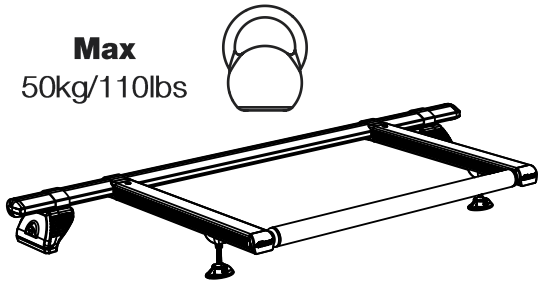
# KR25 KammRoller Instructions



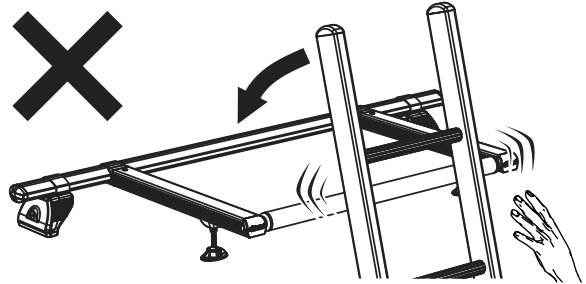
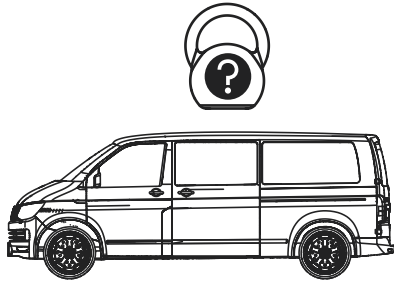
**CITY CRASH (✓)**

According to ISO/ PAS 11154:2006

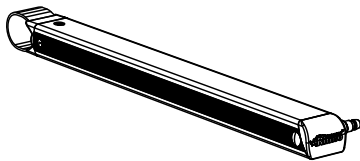
**Max**  
50kg/110lbs



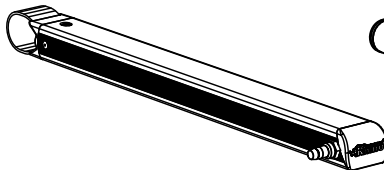
**Kamm Rear Roller**  
1.6kg/3.5lbs



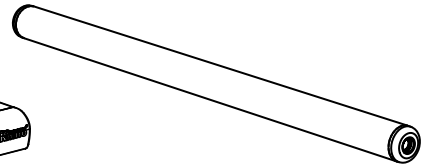
## Kamm Rear Roller



**SA408 x 1**

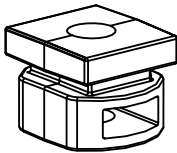


**SA409 x 1**

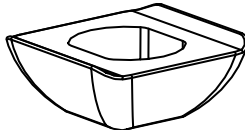


**SA400 x 1**

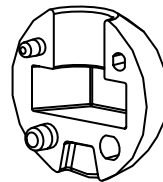
## Fitting Kit



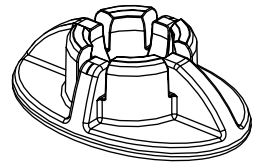
**PS201 x 2**



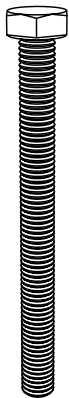
**PS202 x 2**



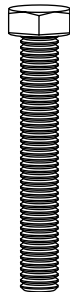
**PS203 x 4**



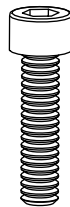
**PS204 x 2**



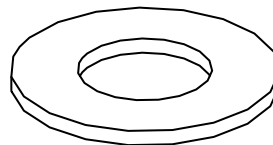
**FS109**  
**(M8 x 90) x 2**



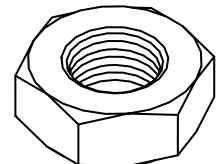
**FS105**  
**(M8 x 55) x 2**



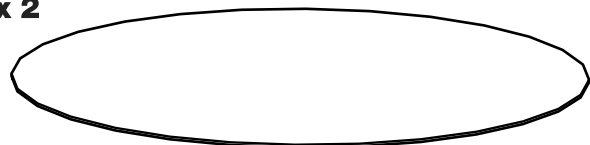
**FS103**  
**(M6 x 25) x 2**



**FW021 (M8) x 2**

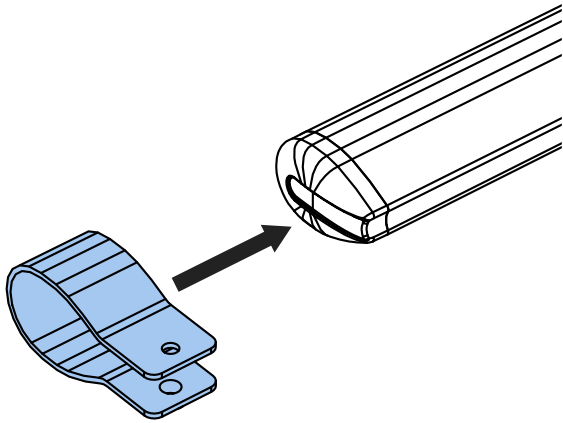


**FN039 (M8) x 6**

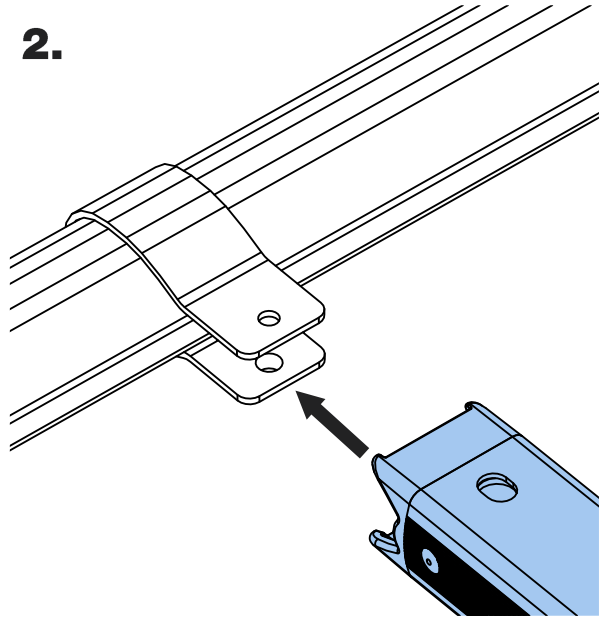


**LA074 x 2**

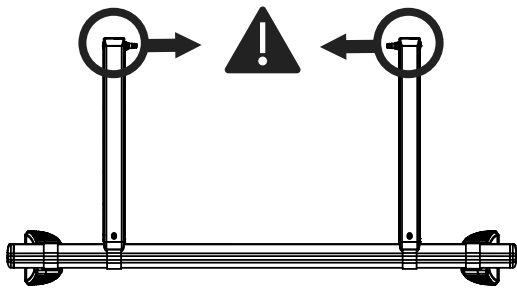
1.



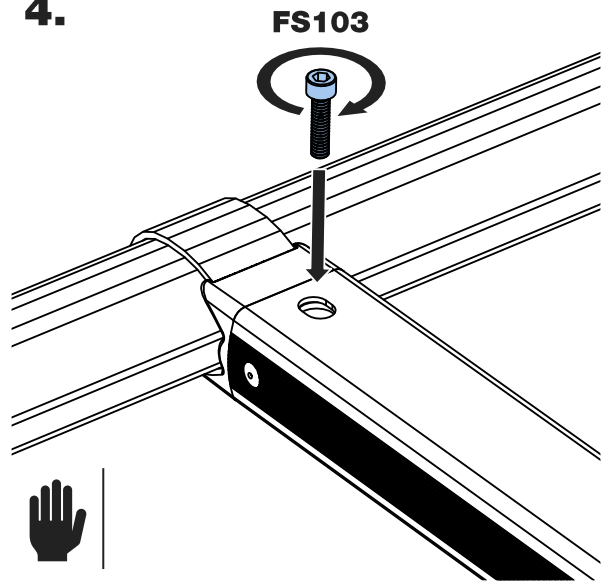
2.



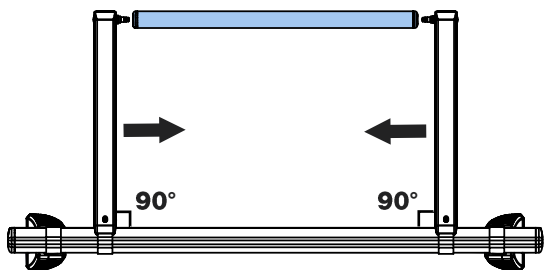
3.



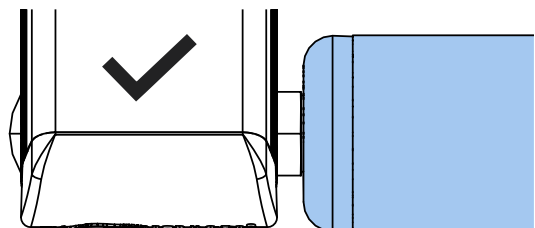
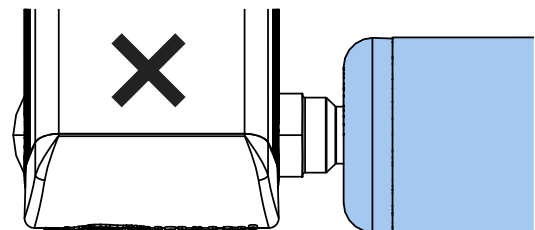
4.



5.

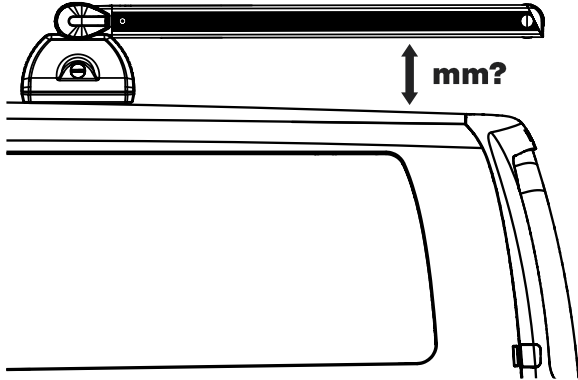


6.

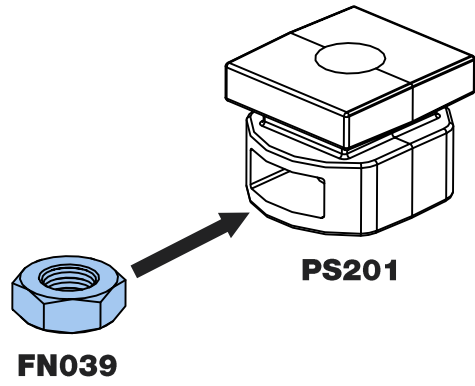


7.

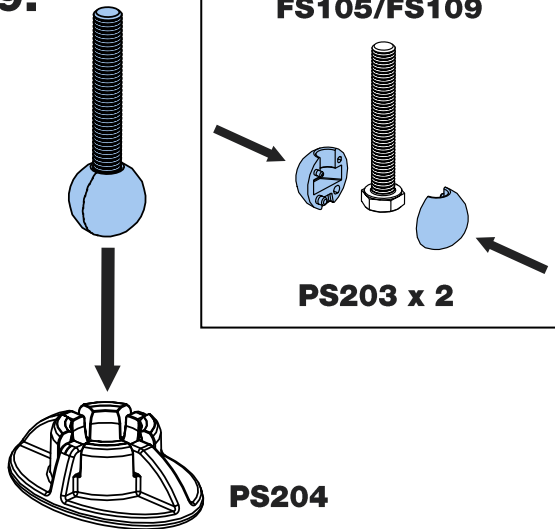
48-75mm = FS105  
78-105mm = FS109



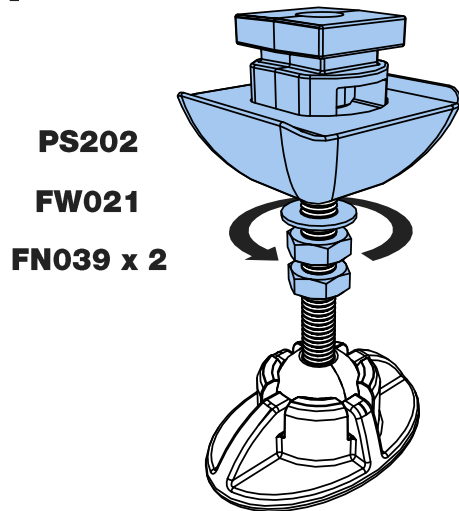
8.



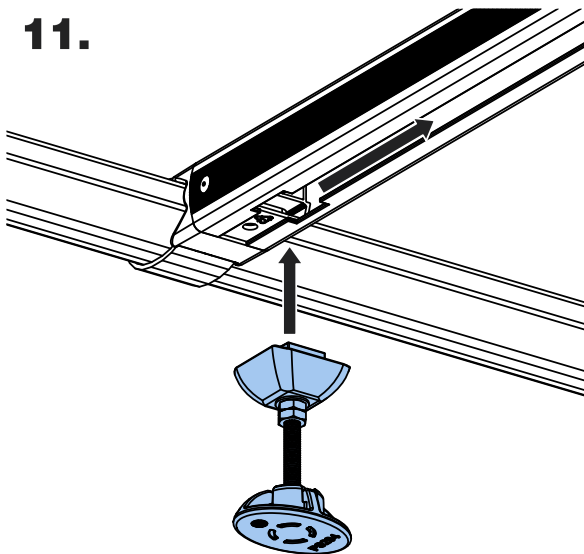
9.



10.



11.



12.

