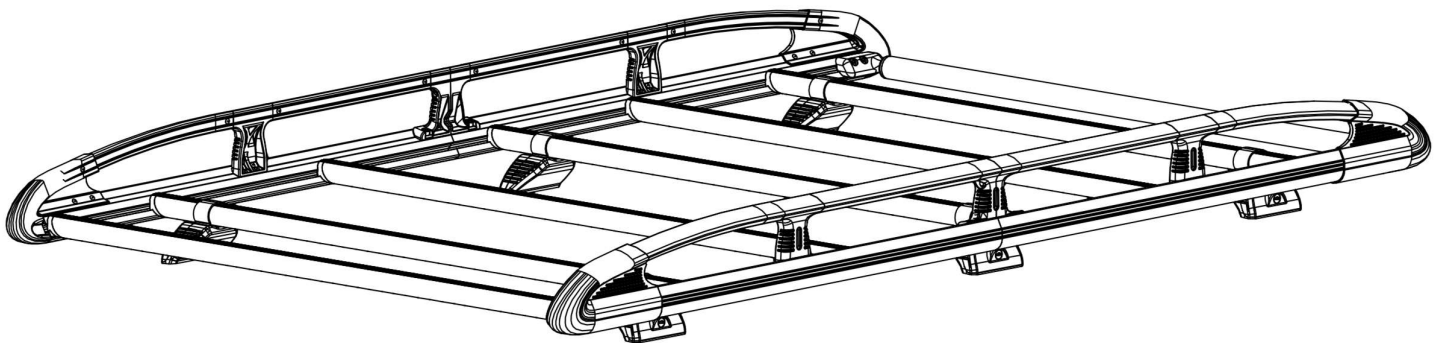


# JA3KR

# KammRack

## Instructions



**CITY CRASH** (✓)

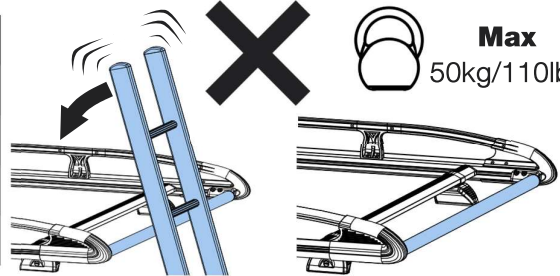
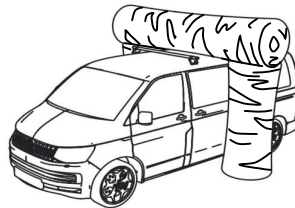
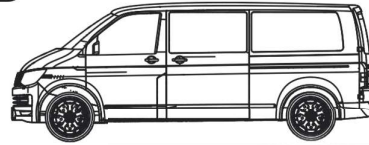
According to ISO/ PAS 11154:2006

**JA3KR:**

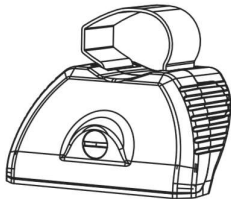
**CITROEN** Jumper/Dispatch, 2008 –

**PEUGEOT** Expert, 2008 –

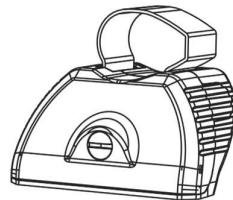
**FIAT** Scudo, 2008 –



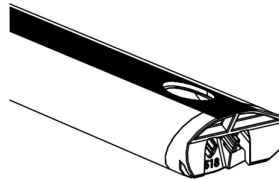
## KammRack



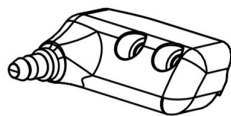
**SA397U x 3**



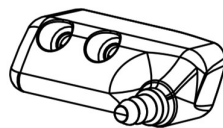
**SA398U x 3**



**SA429**



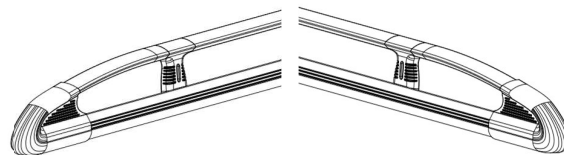
**PS519 x 1**



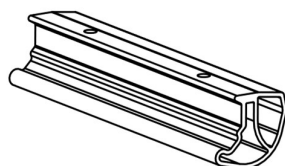
**PS520 x 1**

**LHS x 2**

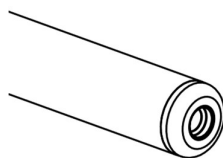
**RHS x 2**



**ASF x 1**

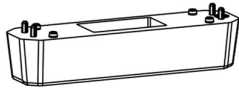


**EXT15-02 x 2**

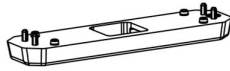


**SA437 x 1**

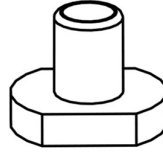
## Fitting Kit



**PS180 x 4**



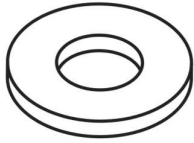
**PS179 x 2**



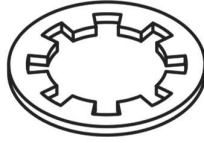
**FN085 x 18**



**FT01 x 1**



**FW001 (M6) x 6**



**FW008 (M6) x 6**



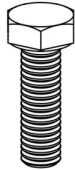
**FN020 (M6) x 6**



**FT05 x 1**



**FS040**   
**(M6 x 35) x 4**

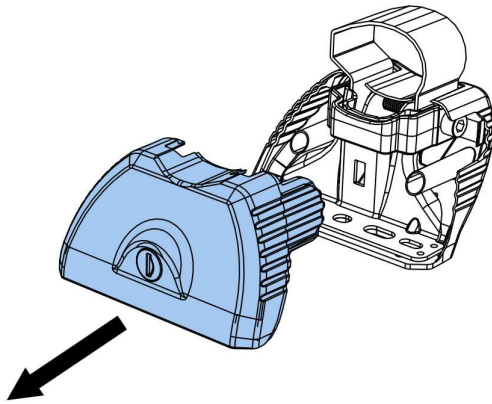


**FS001**   
**(M6 x 20)**  
**x 2**

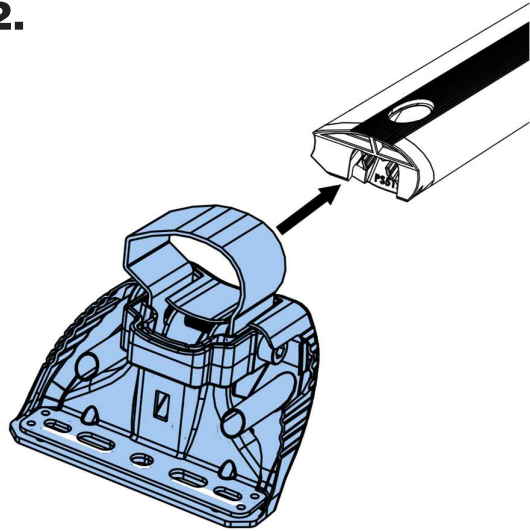


**FS059**   
**(M8 x 25) x 18**

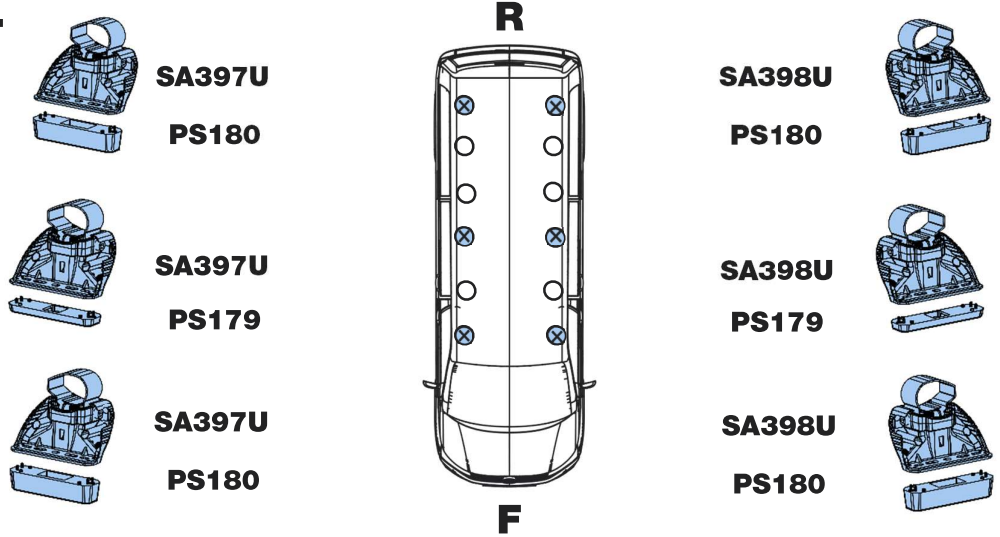
1.



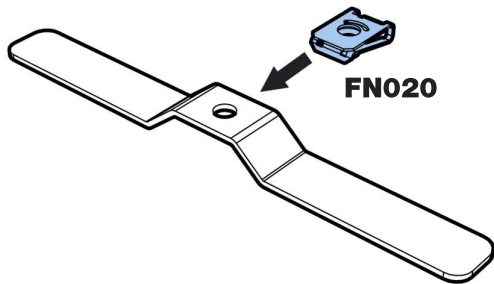
2.



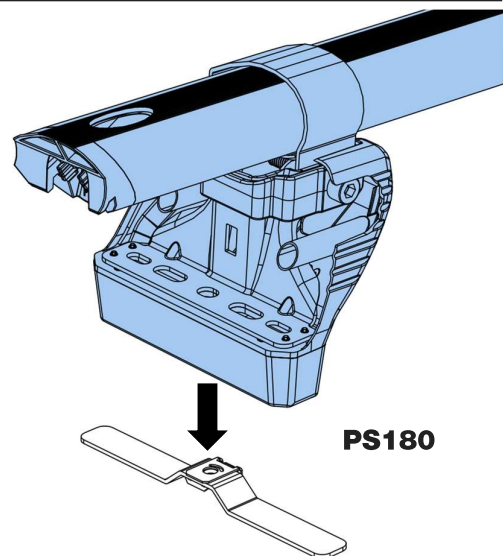
3.



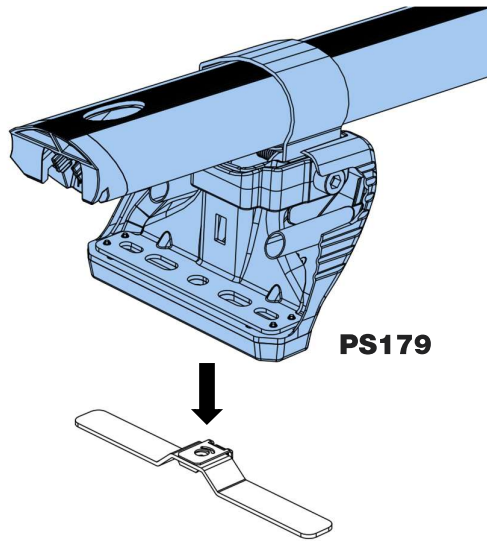
4.



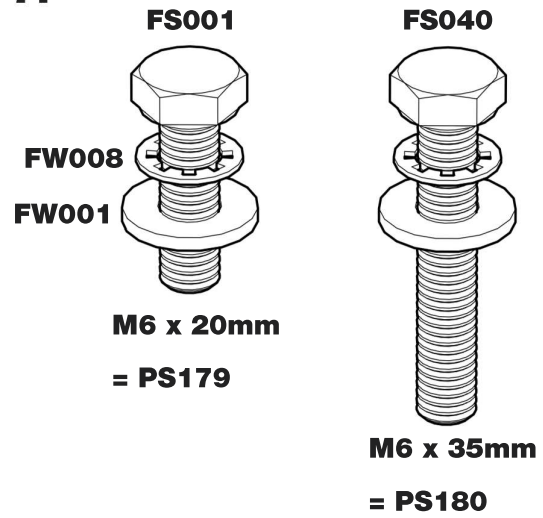
5.



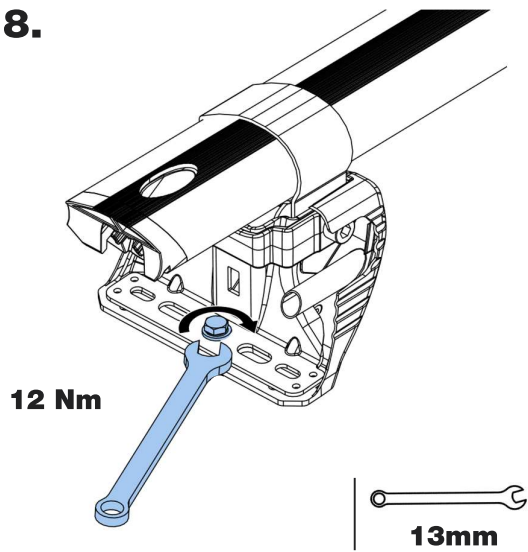
6.



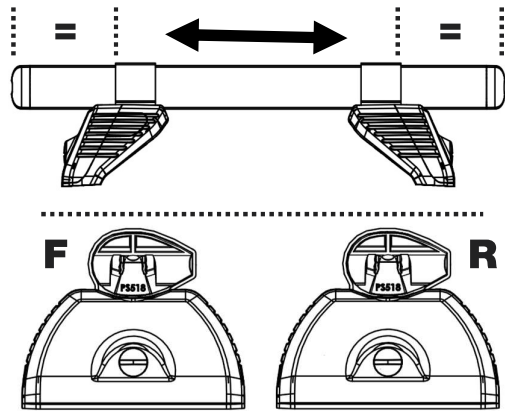
7.



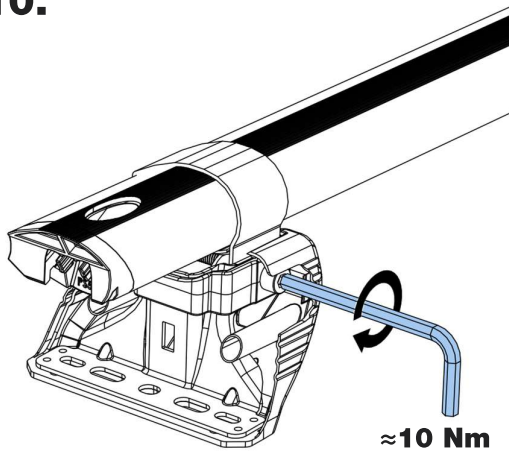
8.



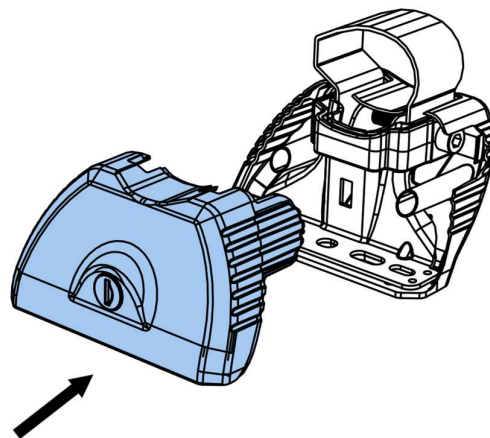
9.



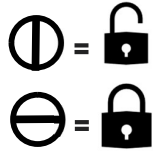
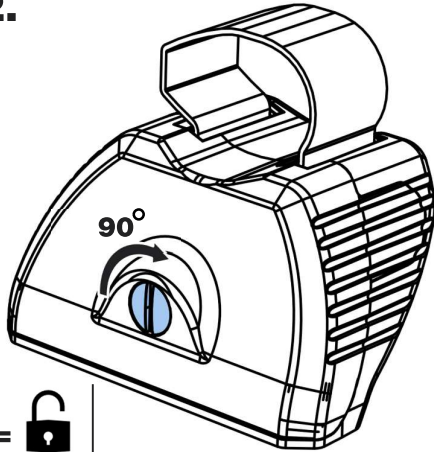
10.



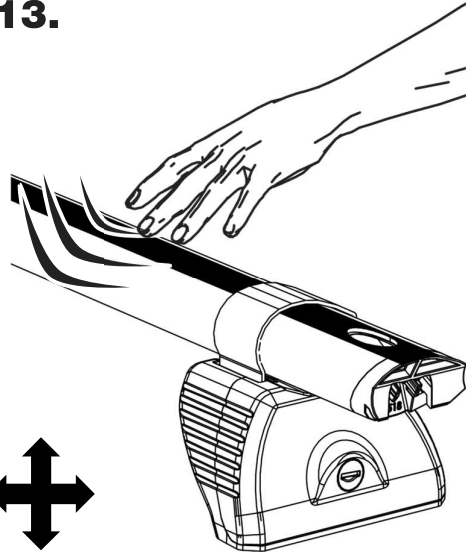
11.



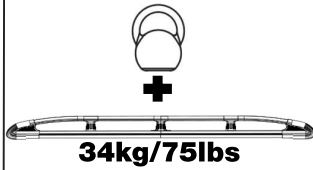
12.



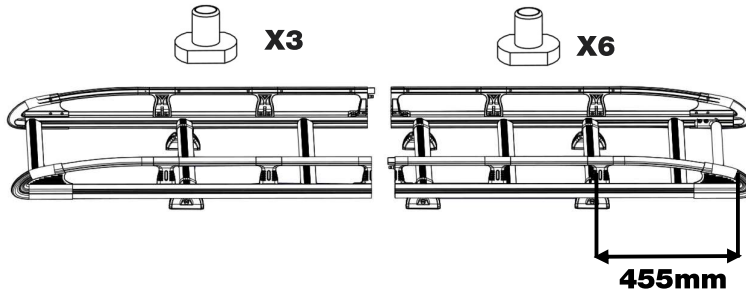
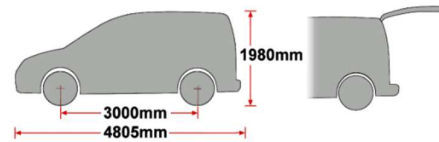
13.



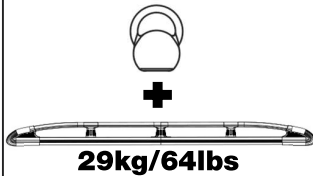
**K551- Jumpy/Dispatch/Scudo/Expert 2008- L1, H1, Twin Doors**



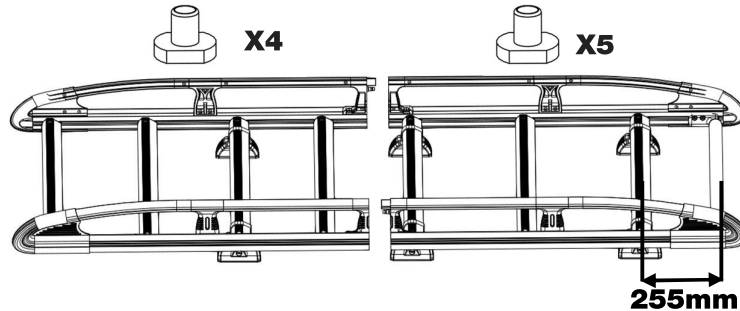
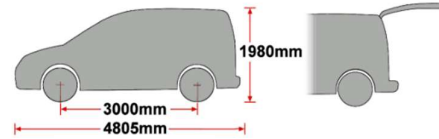
**= 150kg Max**



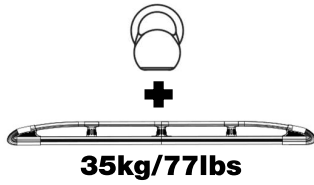
**K552- Jumpy/Dispatch/Scudo/Expert 2008- L1, H1, Tailgate**



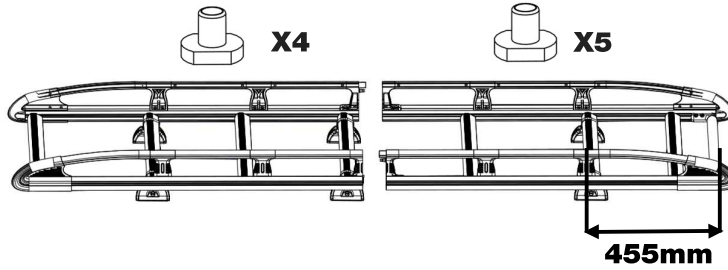
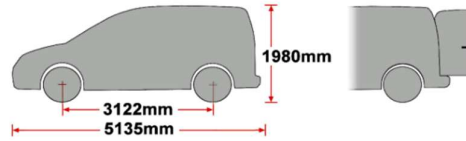
**= 150kg Max**



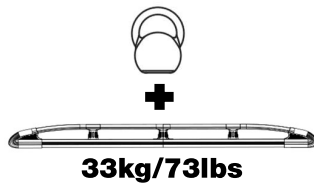
### K553- Jumpy/Dispatch/Scudo/Expert 2008- L2, H1, Twin Doors



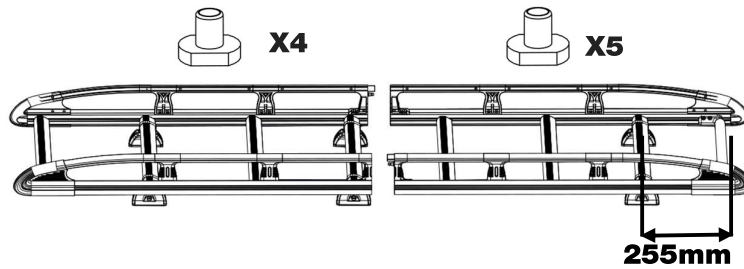
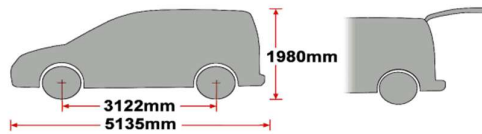
**150kg  
Max**



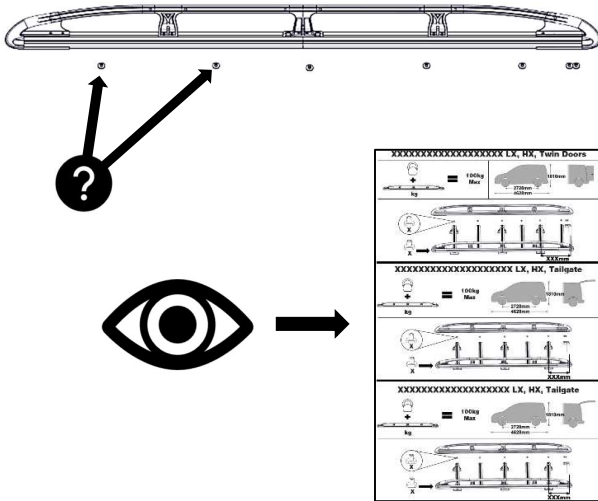
### K551- Jumpy/Dispatch/Scudo/Expert 2008- L2, H1, Tailgate



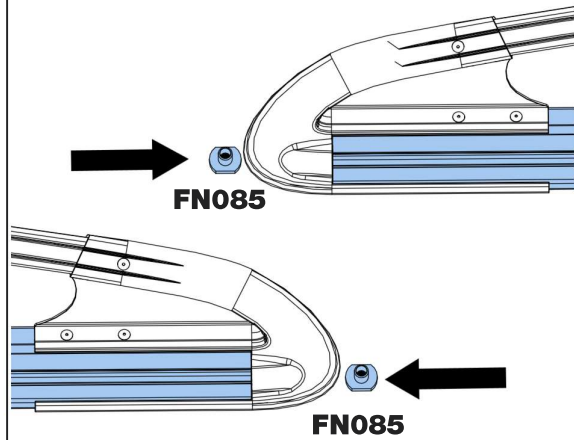
**150kg  
Max**



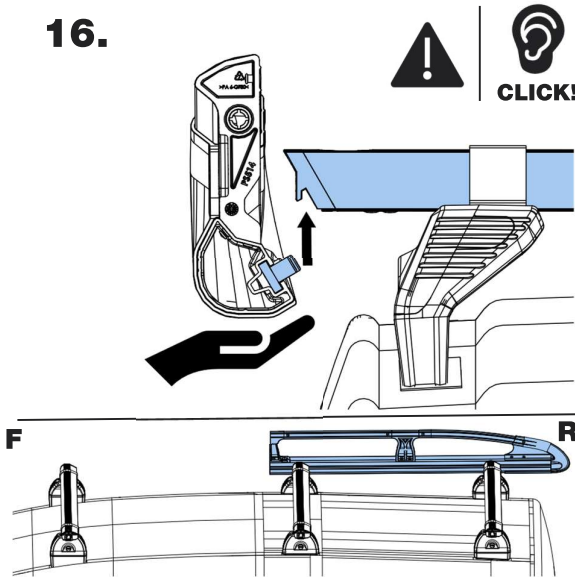
14.



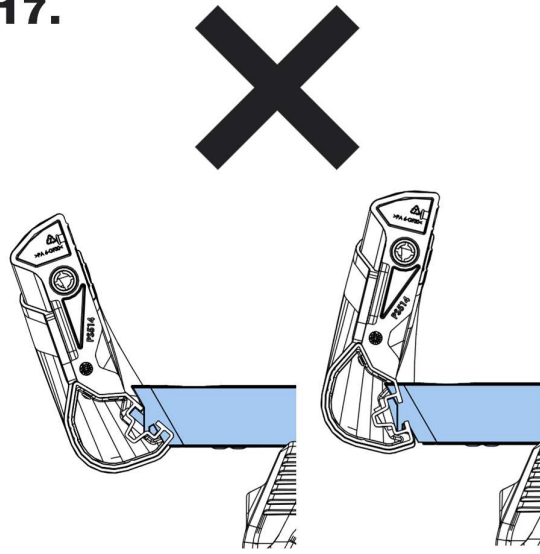
15.



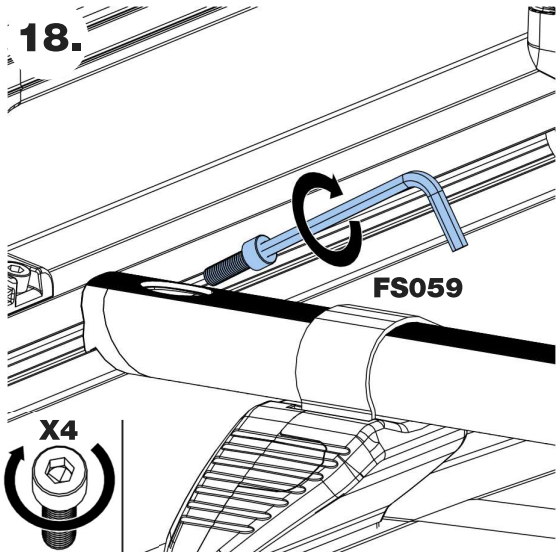
16.



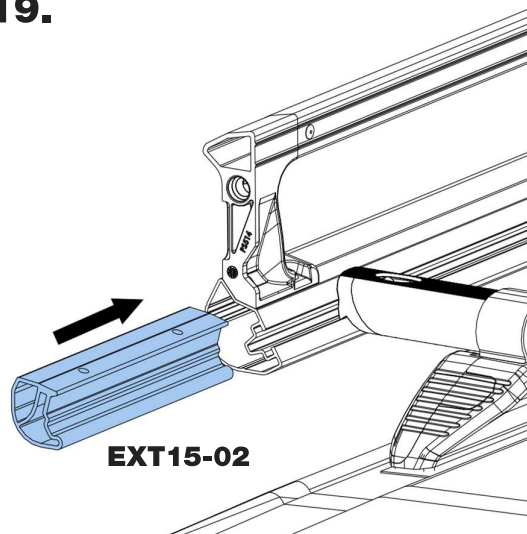
17.



18.

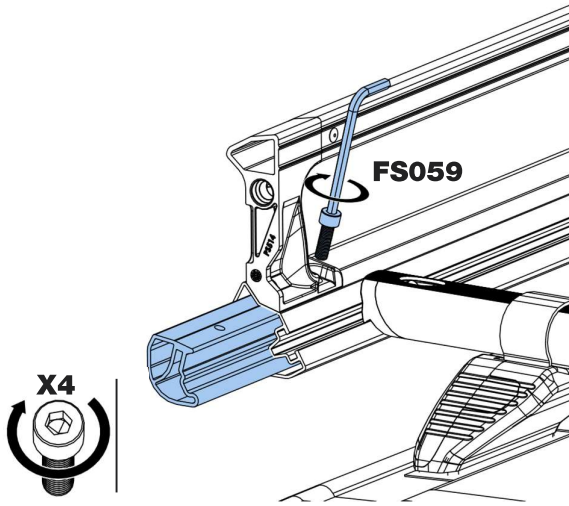


19.

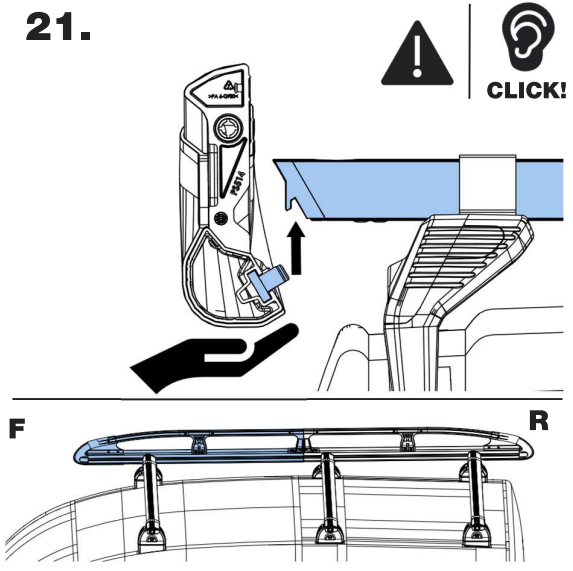




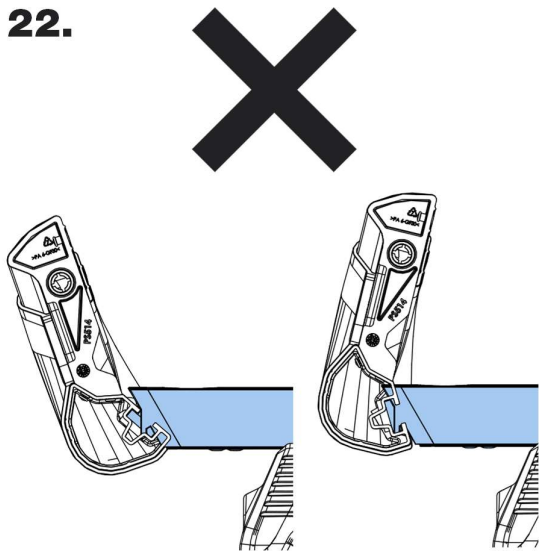
20.



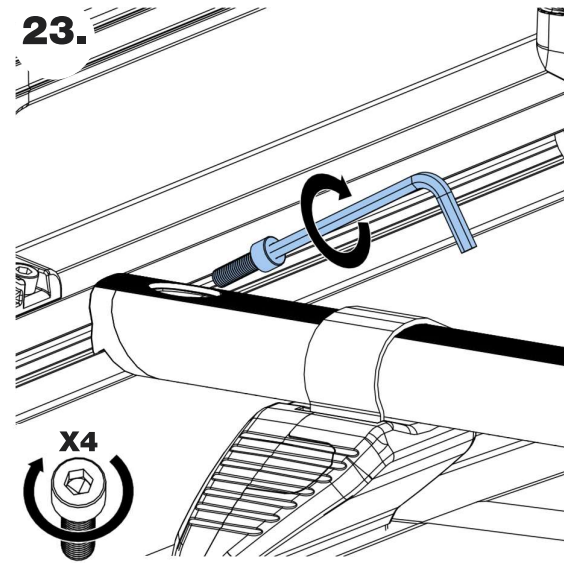
21.



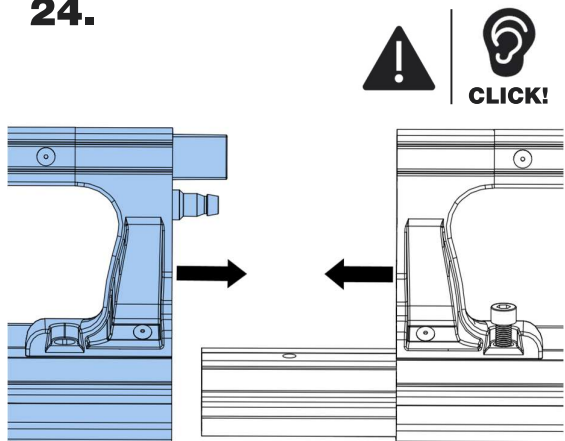
22.



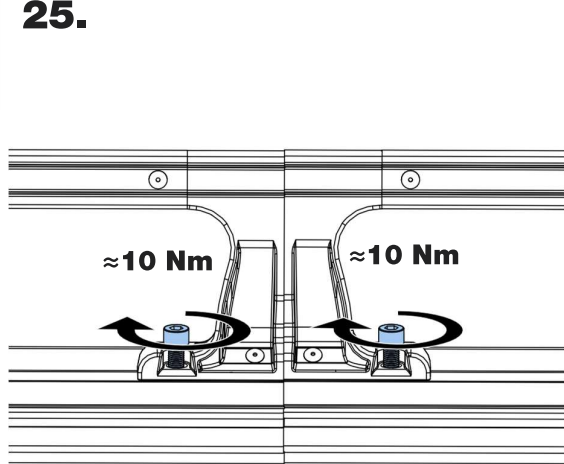
23.



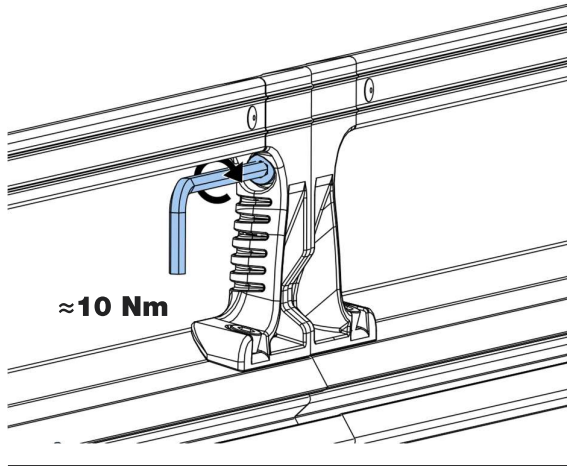
24.



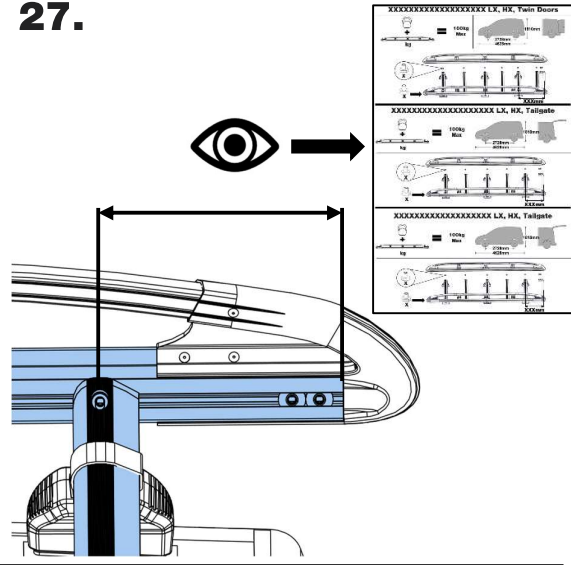
25.



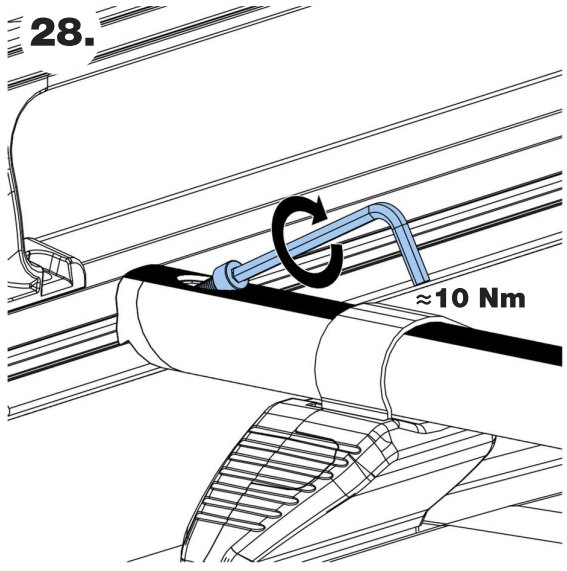
26.



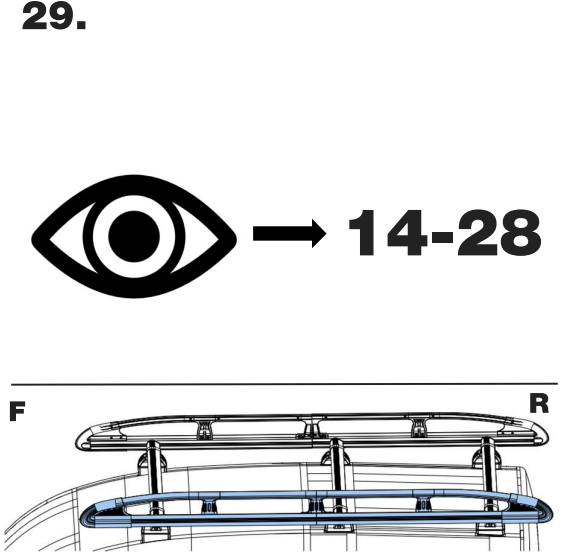
27.



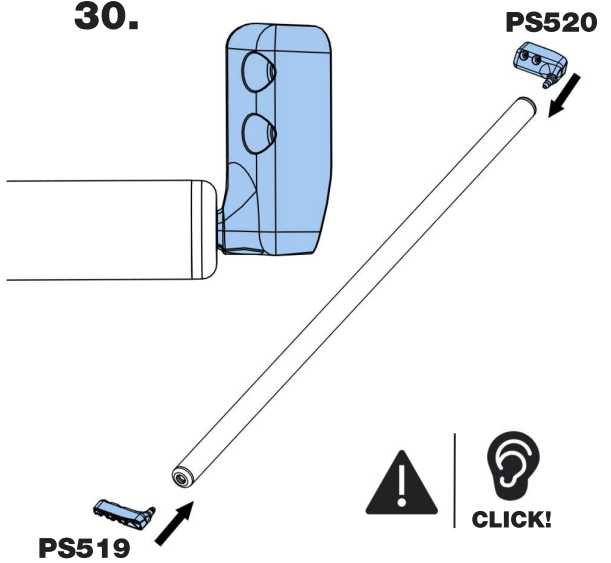
28.



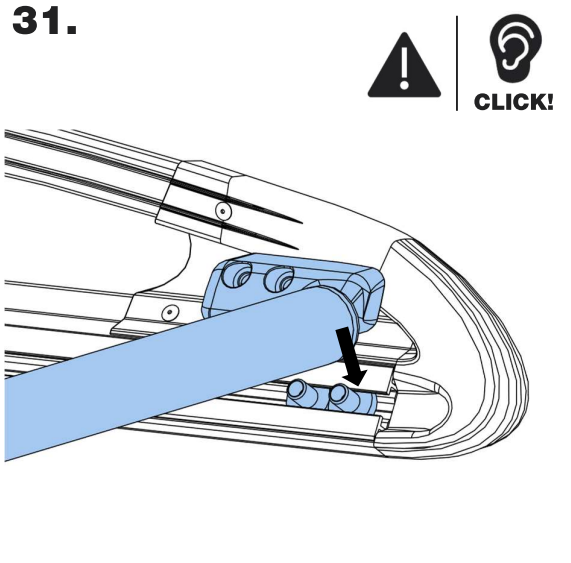
29.



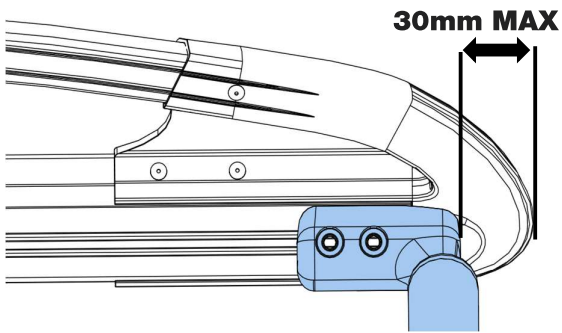
30.



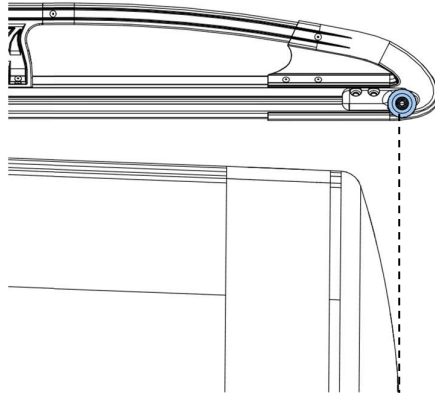
31.



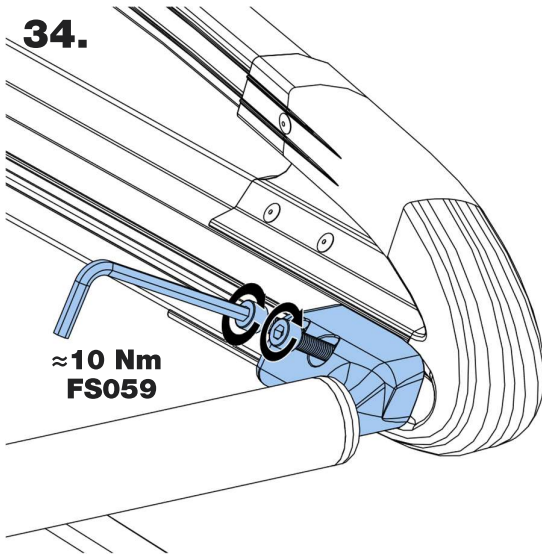
32.



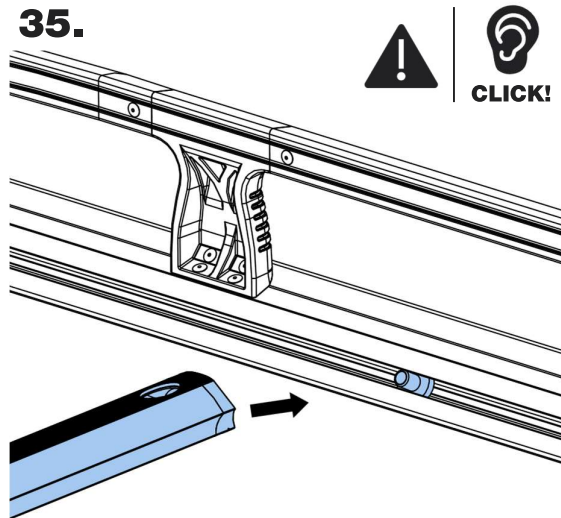
33.



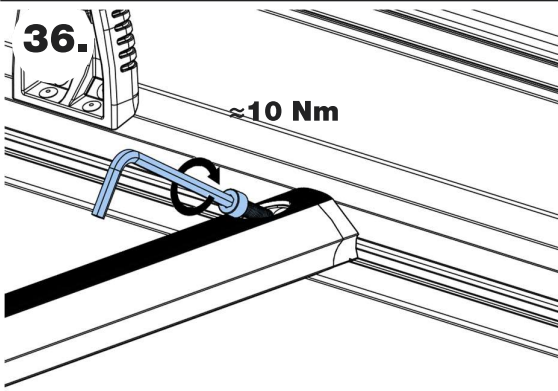
34.



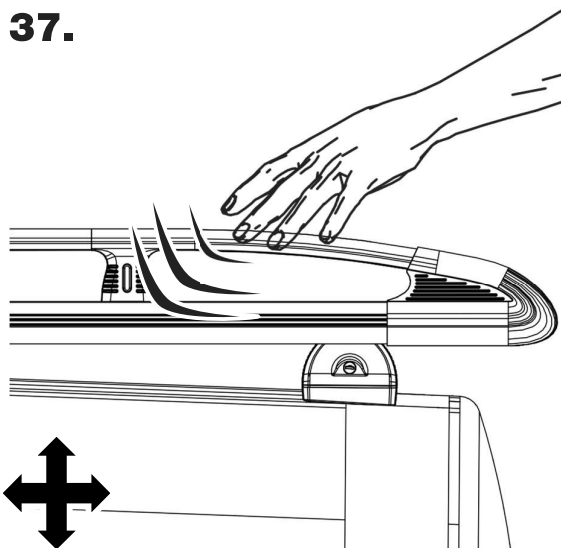
35.



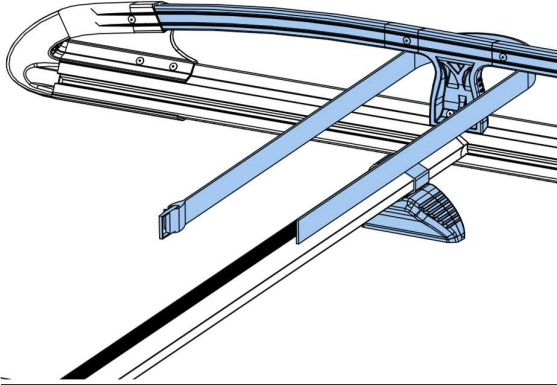
36.



37.



**38.**



**39.**

