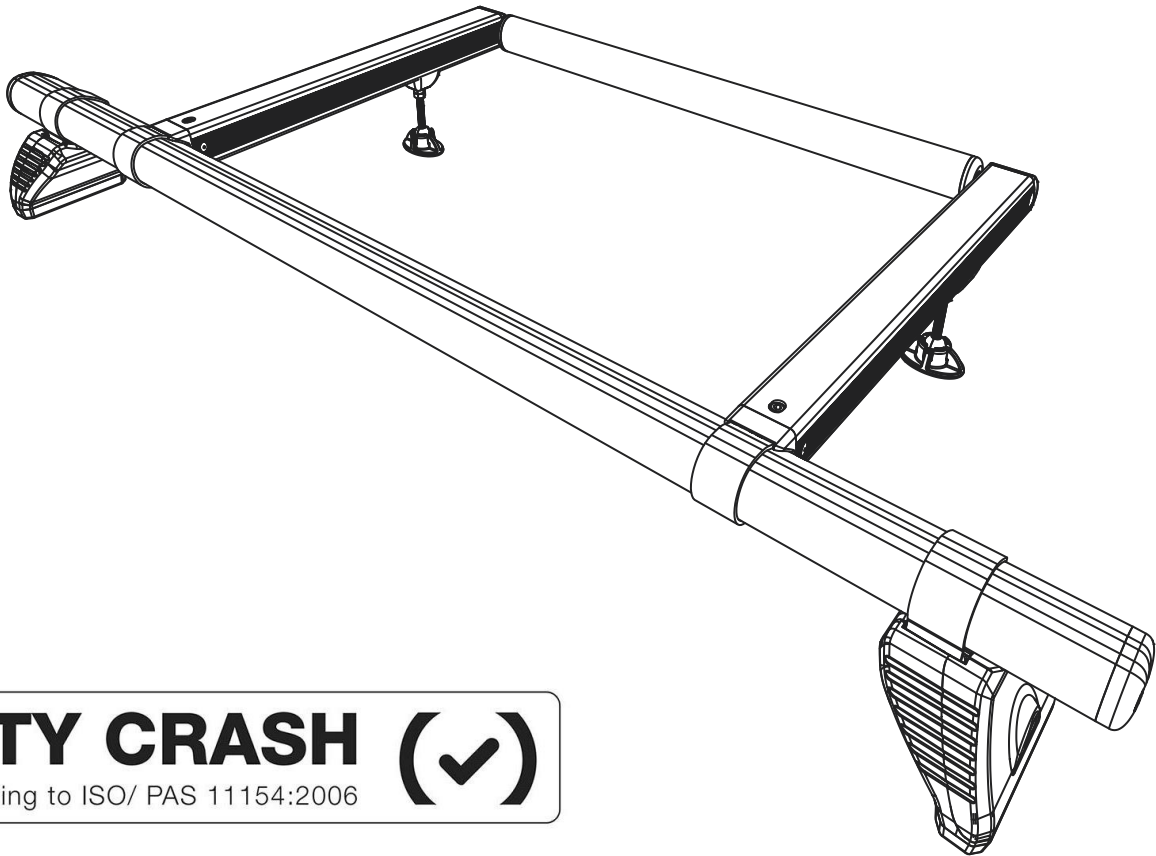


KR27 KammRoller

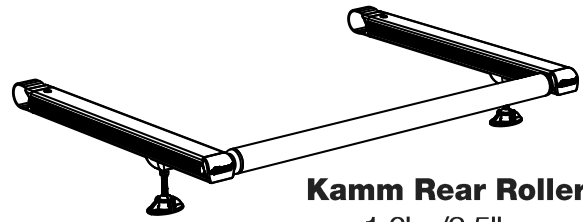
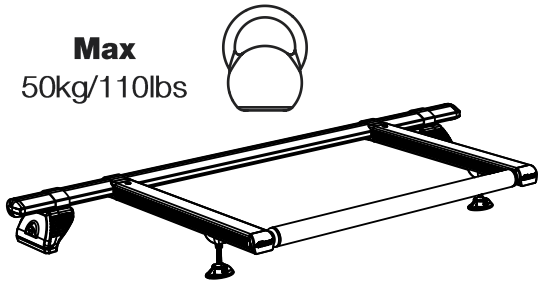
Instructions



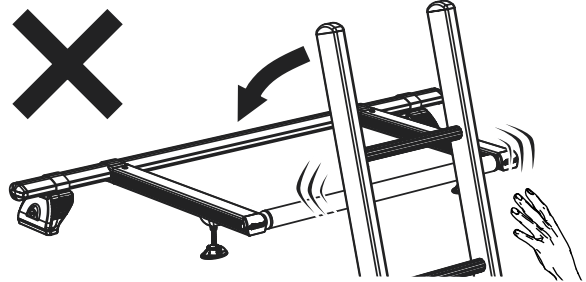
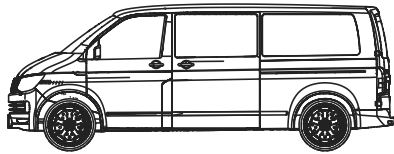
CITY CRASH (✓)

According to ISO/ PAS 11154:2006

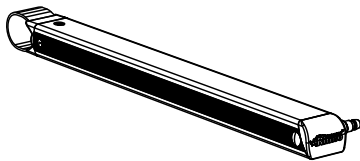
Max
50kg/110lbs



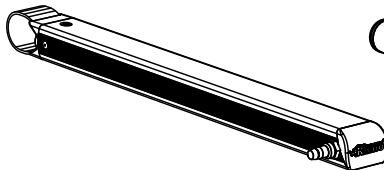
Kamm Rear Roller
1.6kg/3.5lbs



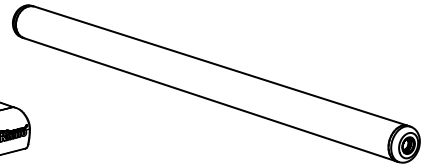
Kamm Rear Roller



SA408 x 1

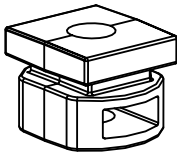


SA409 x 1

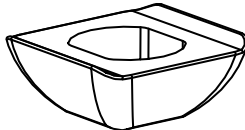


SA402 x 1

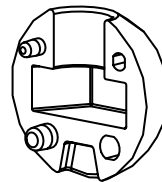
Fitting Kit



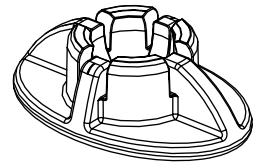
PS201 x 2



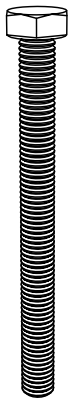
PS202 x 2



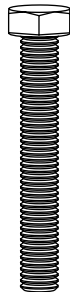
PS203 x 4



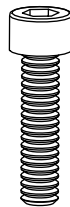
PS204 x 2



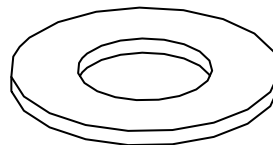
FS109
(M8 x 90) x 2



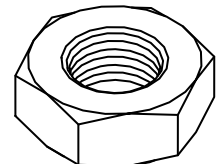
FS105
(M8 x 55) x 2



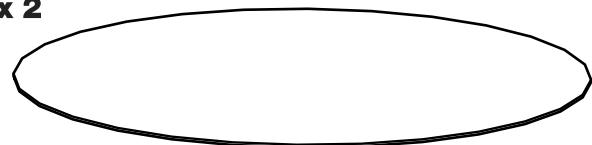
FS103
(M6 x 25) x 2



FW021 (M8) x 2

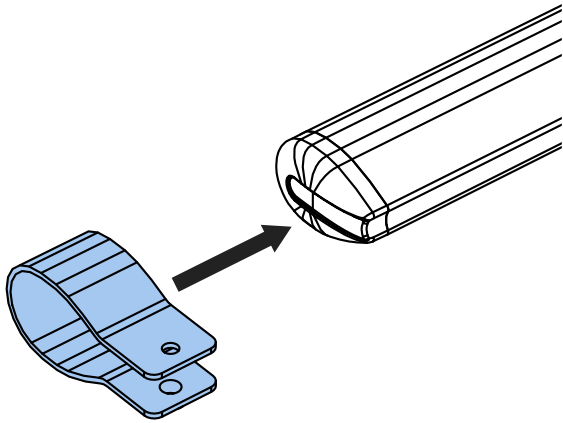


FN039 (M8) x 6

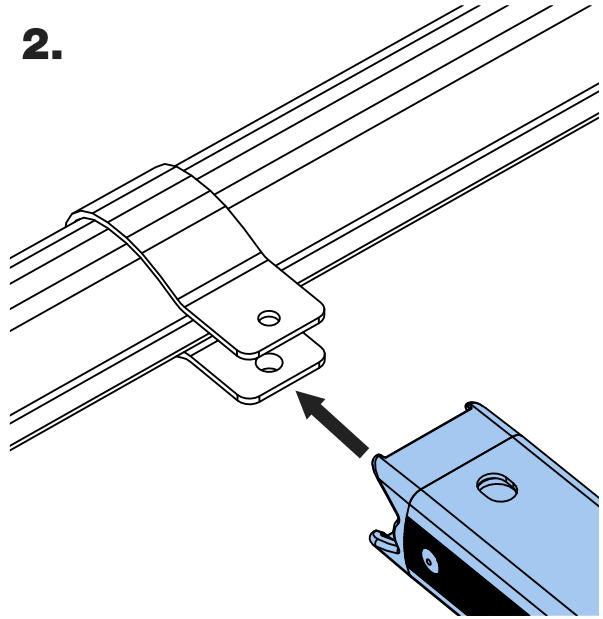


LA074 x 2

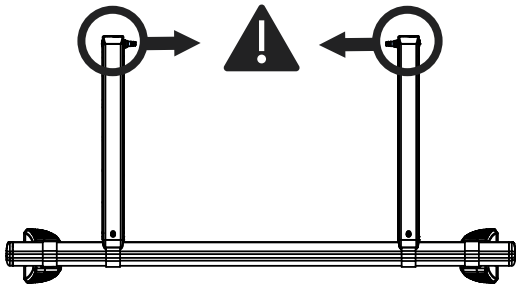
1.



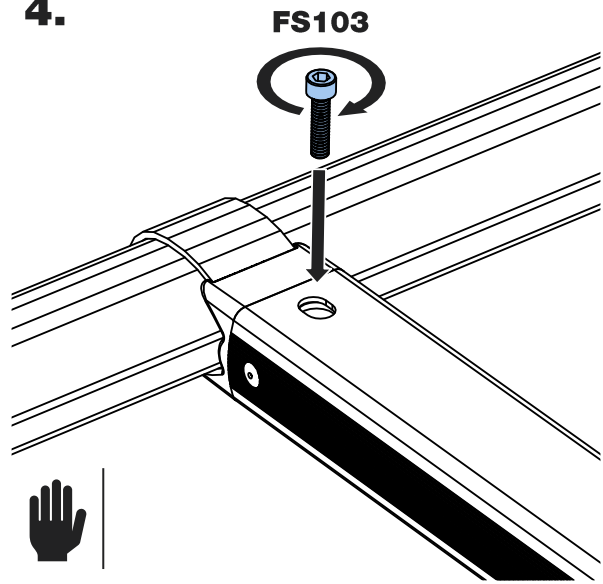
2.



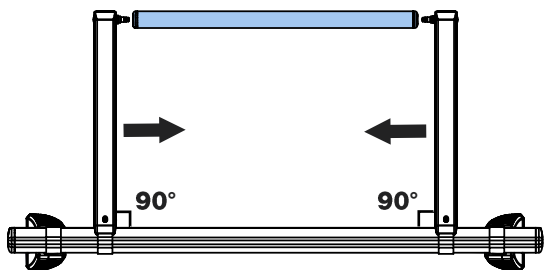
3.



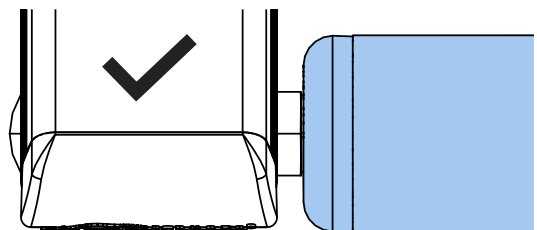
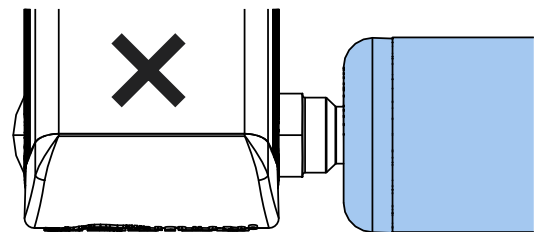
4.



5.

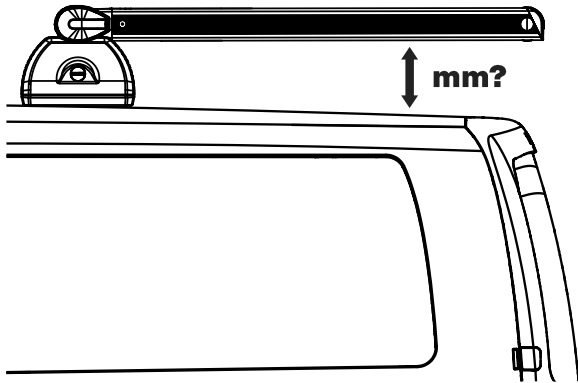


6.

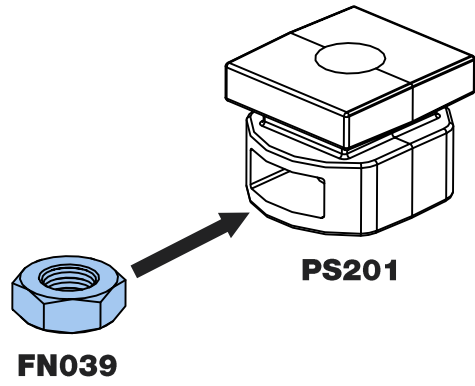


7.

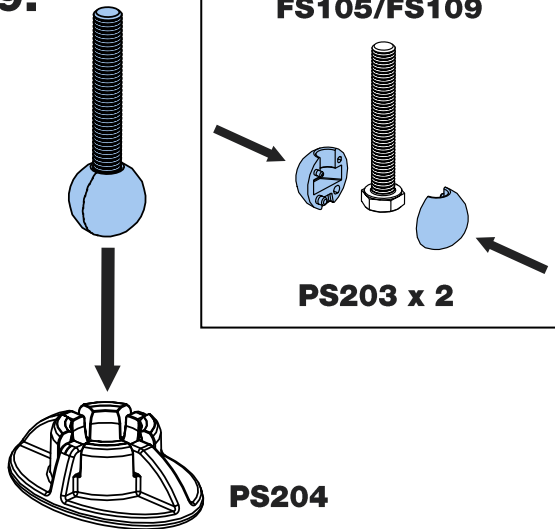
48-75mm = FS105
78-105mm = FS109



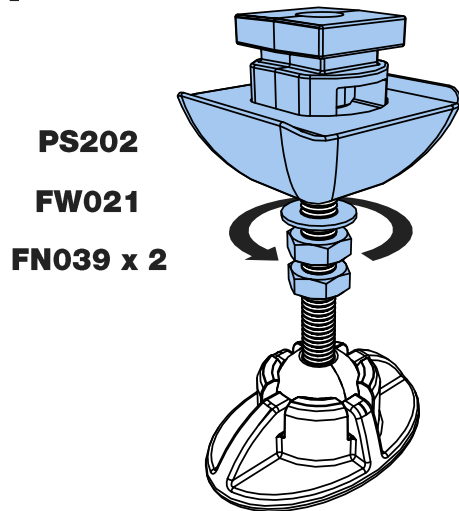
8.



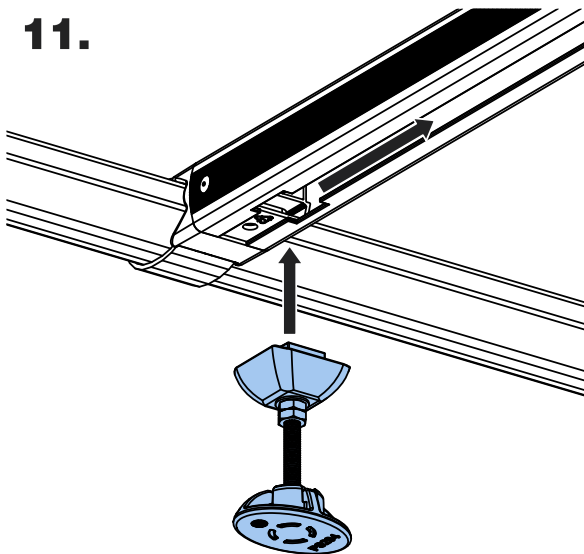
9.



10.



11.



12.

