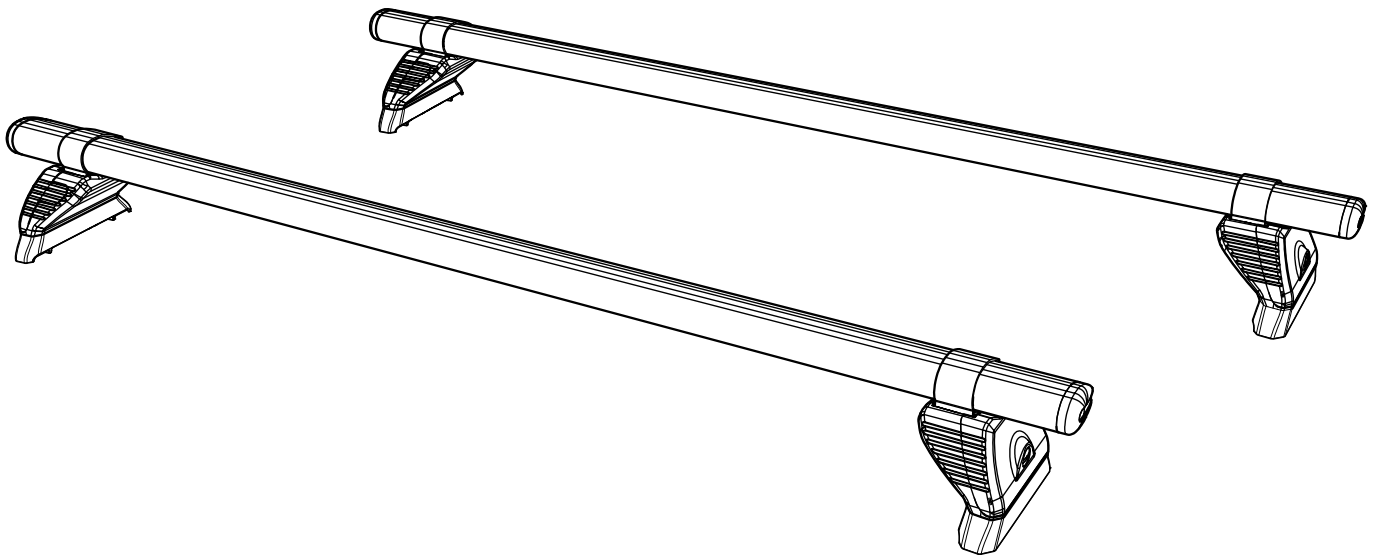
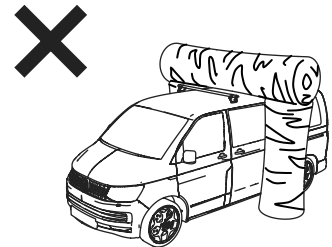
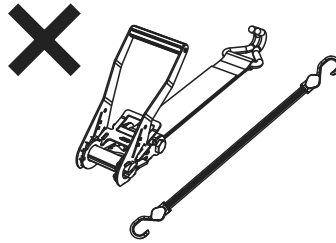
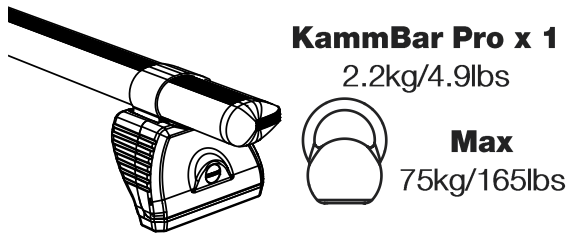


# JD2PR/FL KammBar Instructions

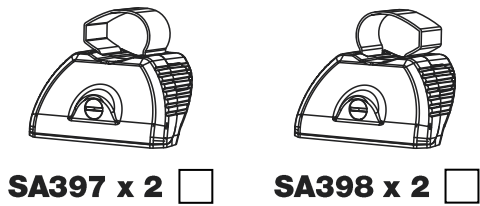
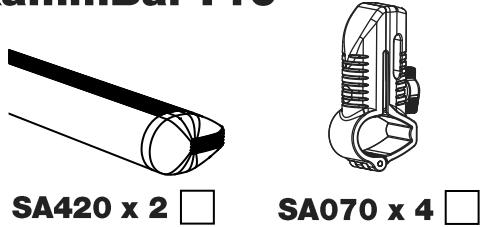


**CITY CRASH** (✓)

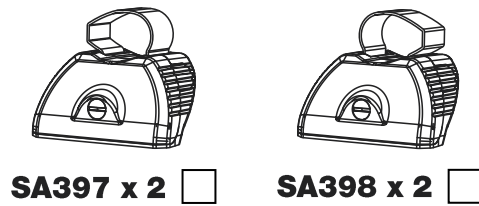
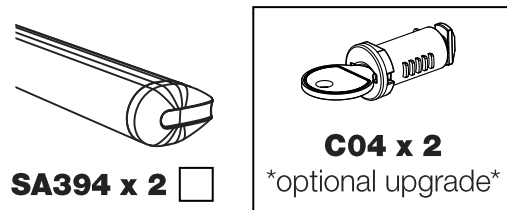
According to ISO/ PAS 11154:2006



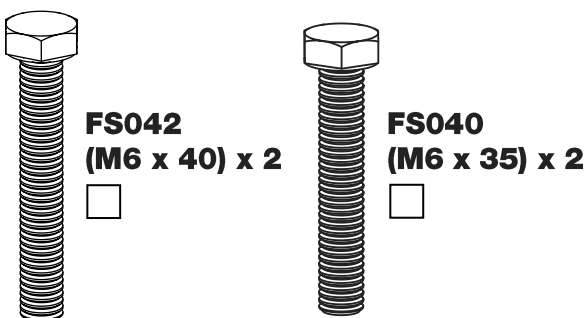
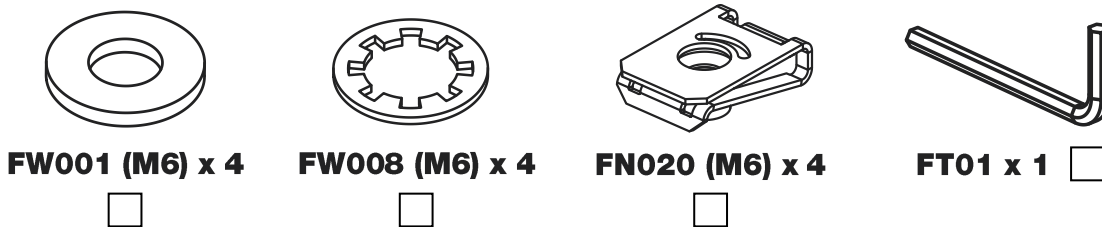
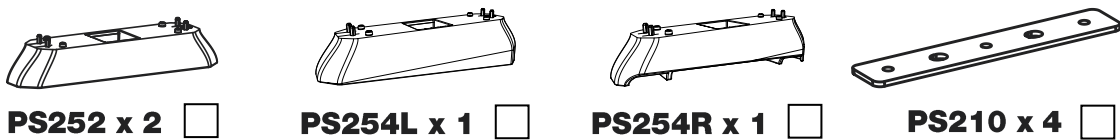
### KammBar Pro



### KammBar Fleet



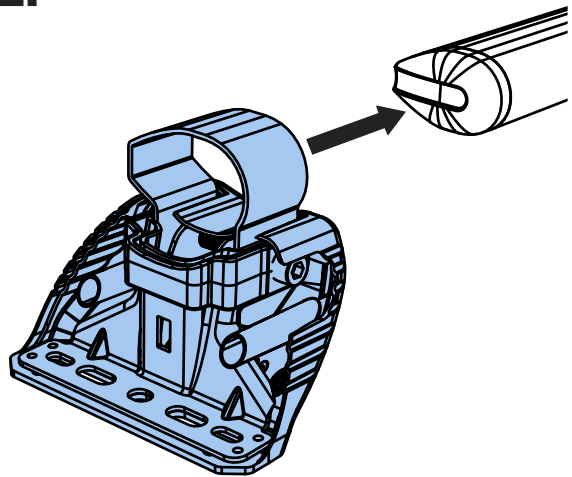
### Fitting Kit



1.



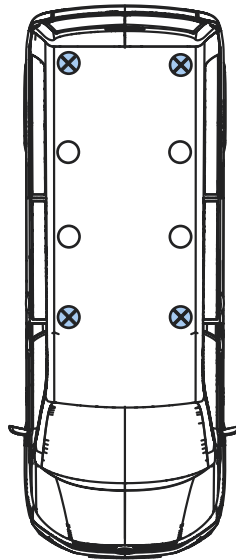
2.



3.



**SA397**  
**PS254R**

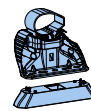


**SA398**  
**PS254L**

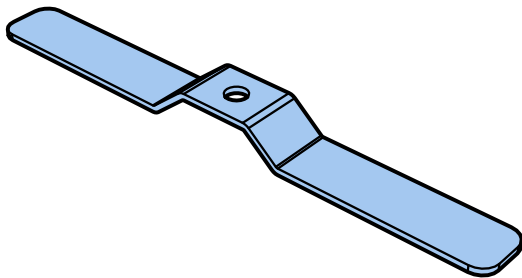


**SA397**  
**PS252**

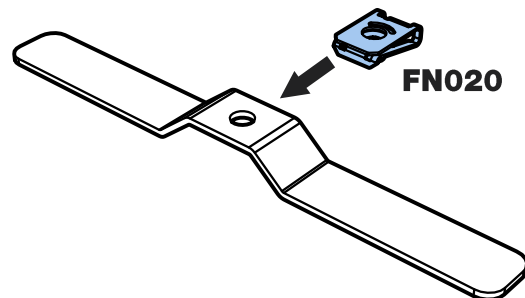
**SA398**  
**PS252**

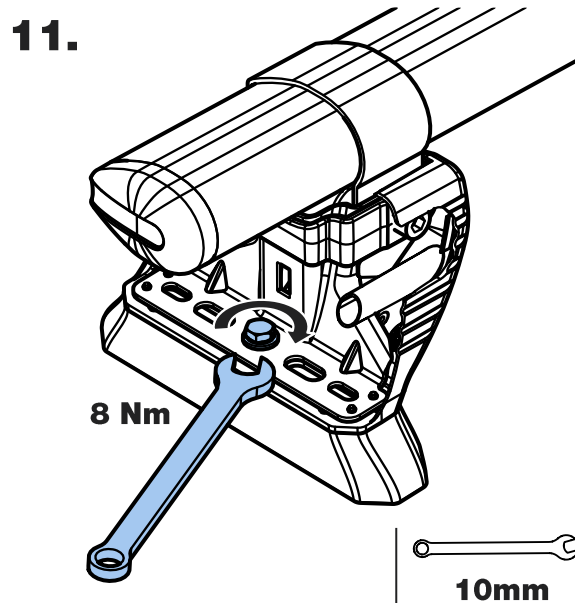
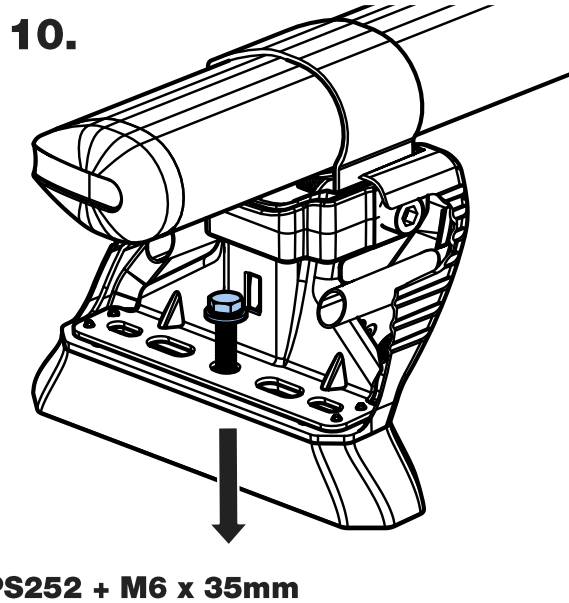
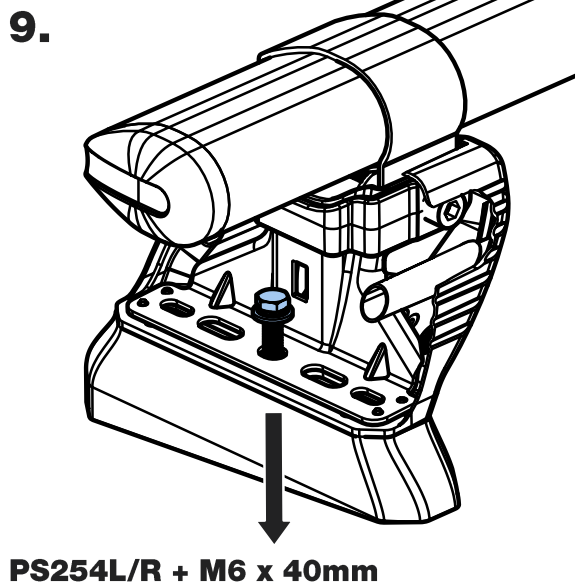
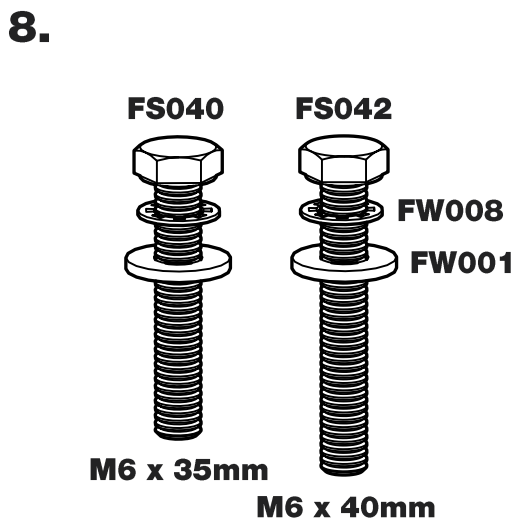
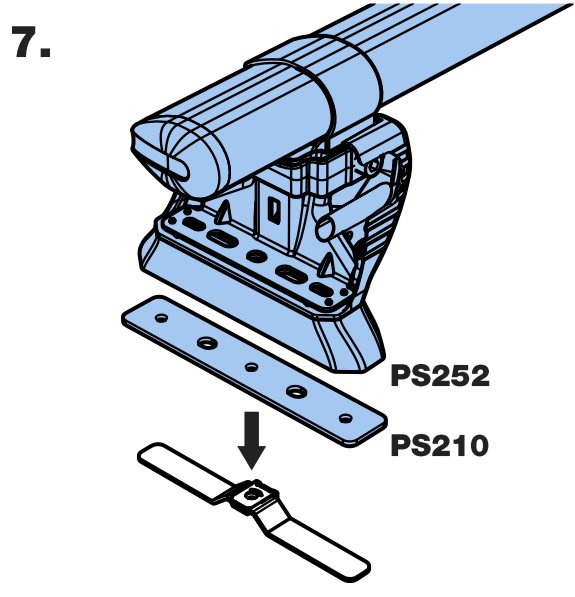
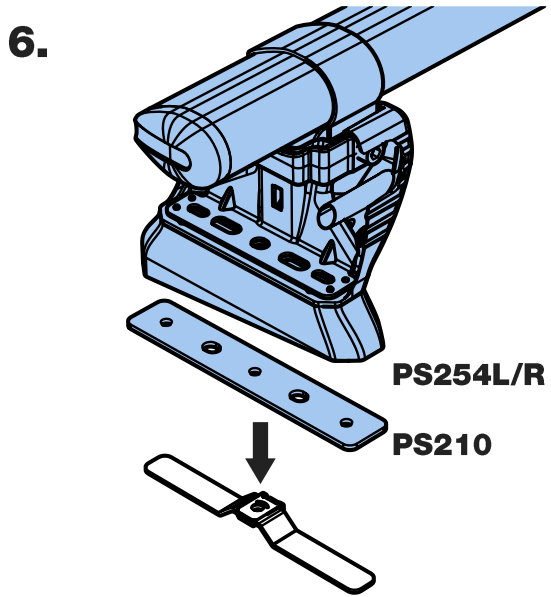


4.

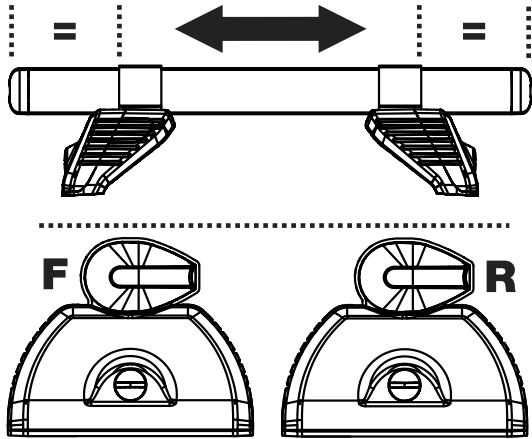


5.

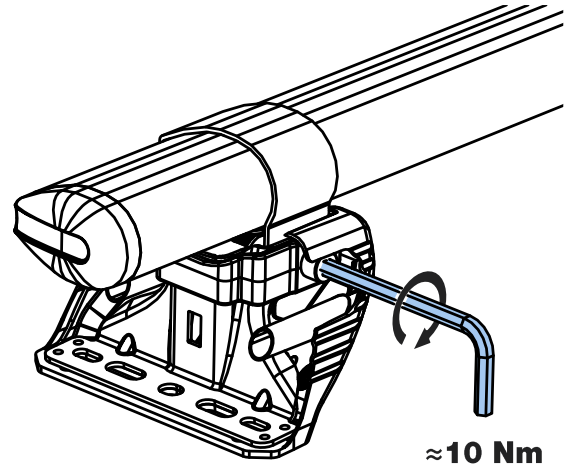




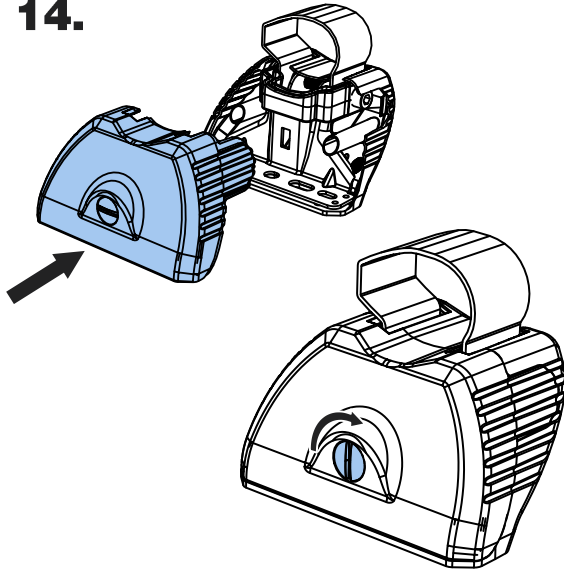
12.



13.



14.



15.

