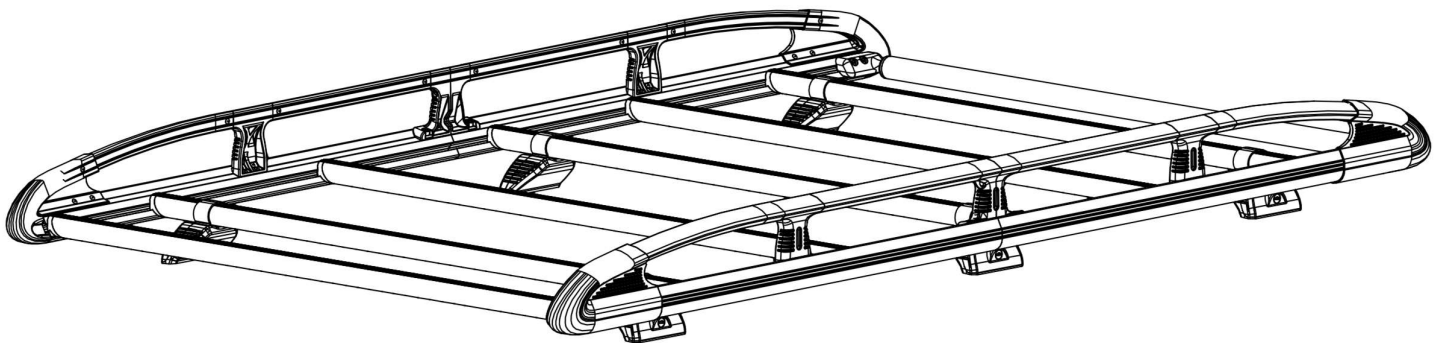


WD3KR

KammRack

Instructions



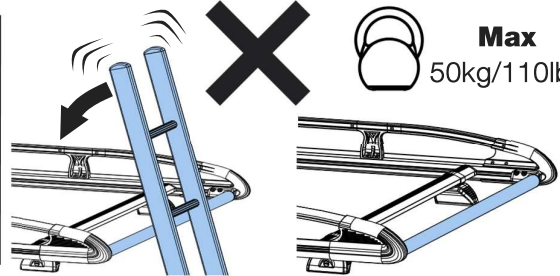
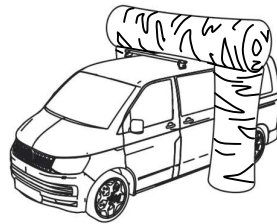
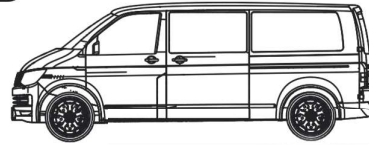
CITY CRASH (✓)

According to ISO/ PAS 11154:2006

WD3KR:

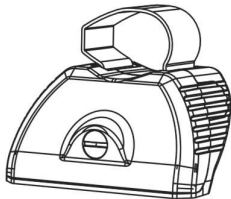
Fiat Doblo 2010-

Vauxhall Combo 2012 - 2018

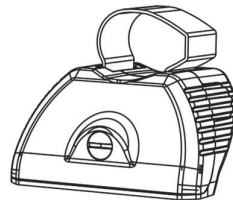


Max
50kg/110lbs

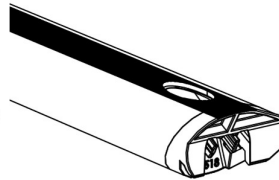
KammRack



SA397U x 3



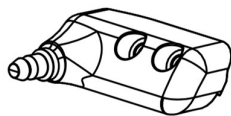
SA398U x 3



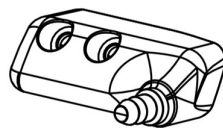
SA429



C04 x 6
optional upgrade



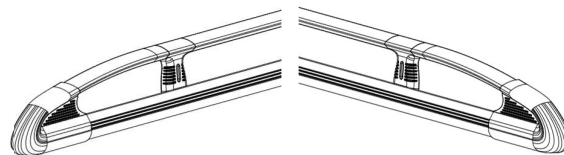
PS519 x 1



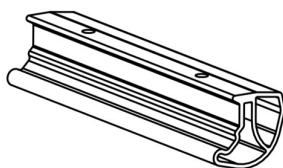
PS520 x 1

LHS x 2

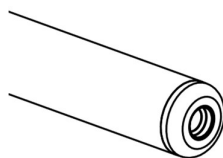
RHS x 2



ASF x 1

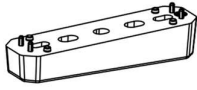


EXT15-02 x 2

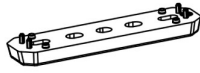


SA437 x 1

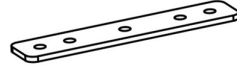
Fitting Kit



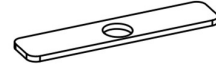
PS176 x 4



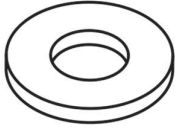
PS178 x 2



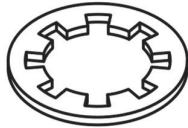
PS030 x 4



PS031 x 4



FW001 (M6) x 10



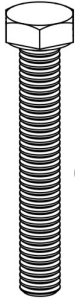
FW008 (M6) x 10



FT01 x 1



**FS042
(M6 x 40) x 4**



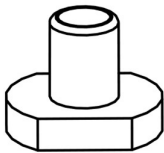
**FB007
(M6 x 45) x 4**



**FS039
(M6 x 30) x 2**



**FS038
(M6 x 25) x 2**



FN085 x 16

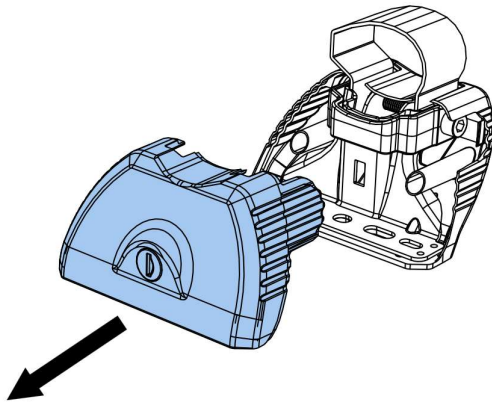


FS059
(M8 x 25) x 16

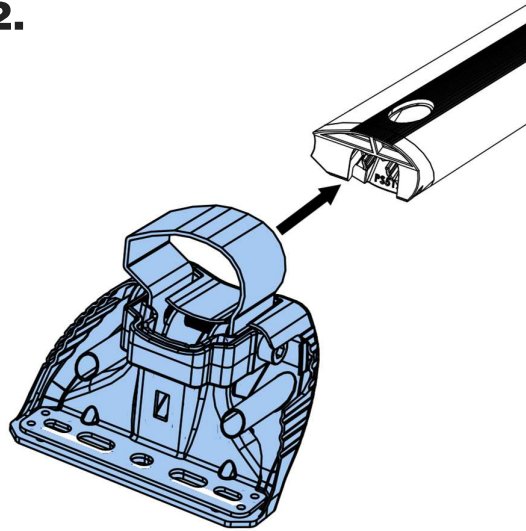


FT05 x 1

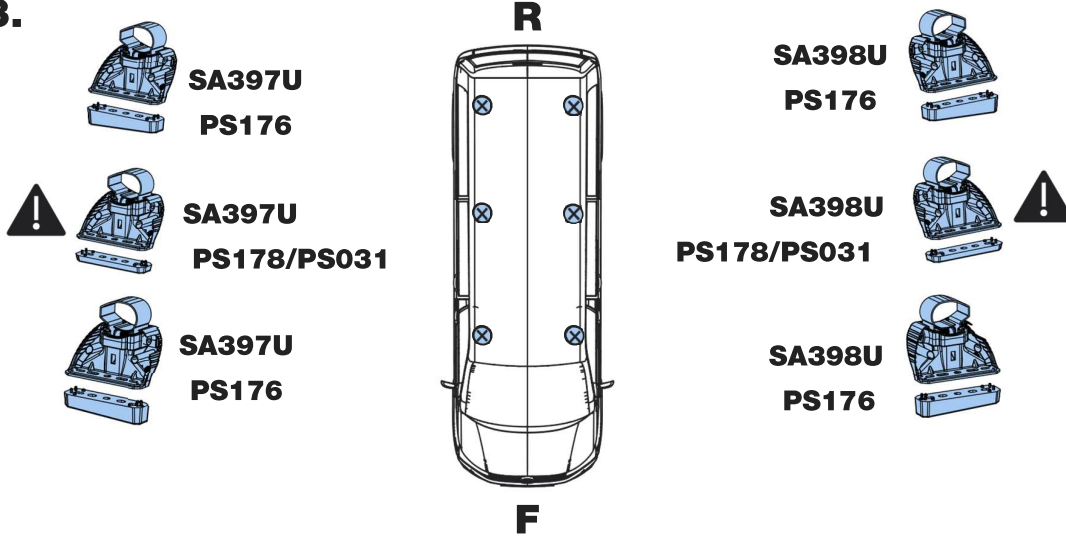
1.



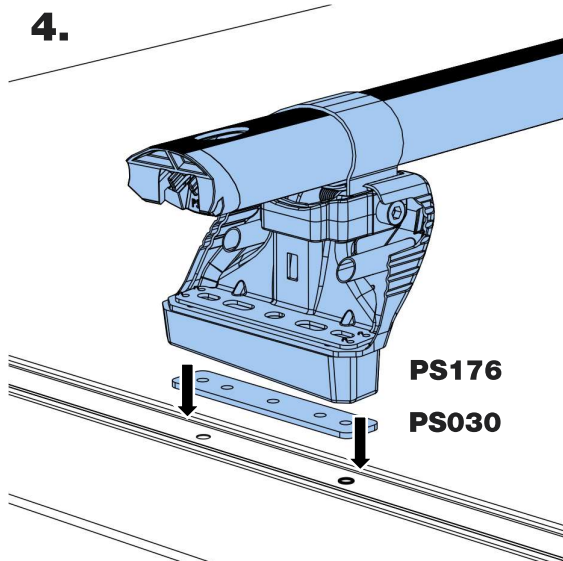
2.



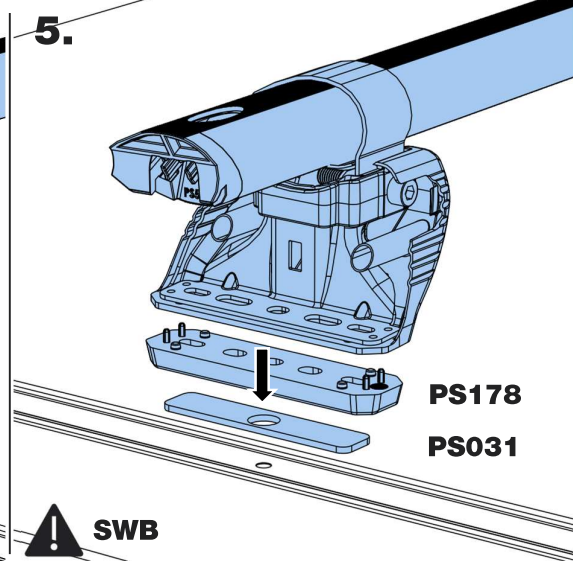
3.

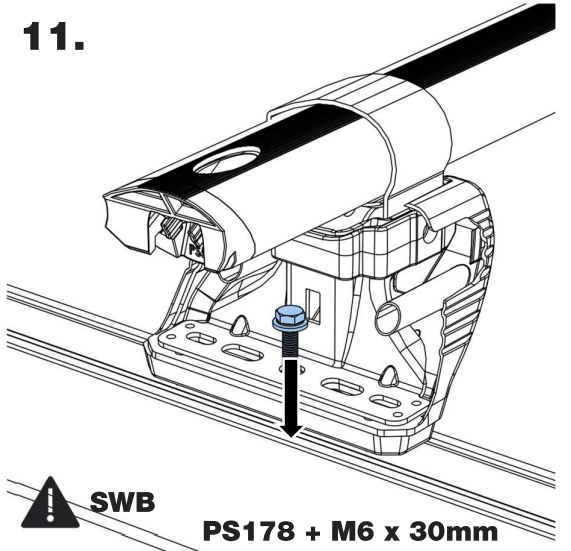
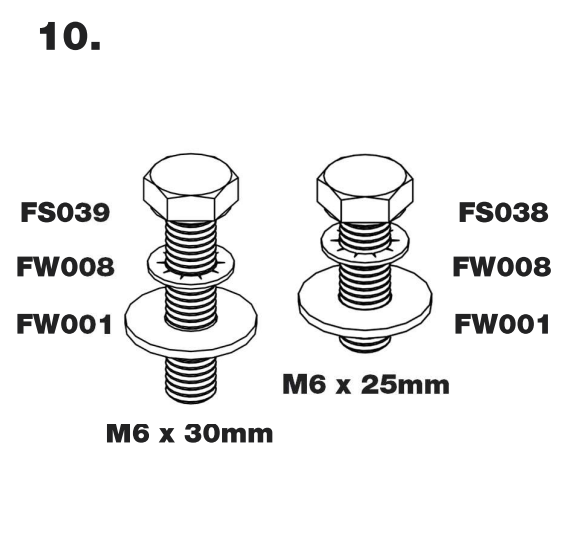
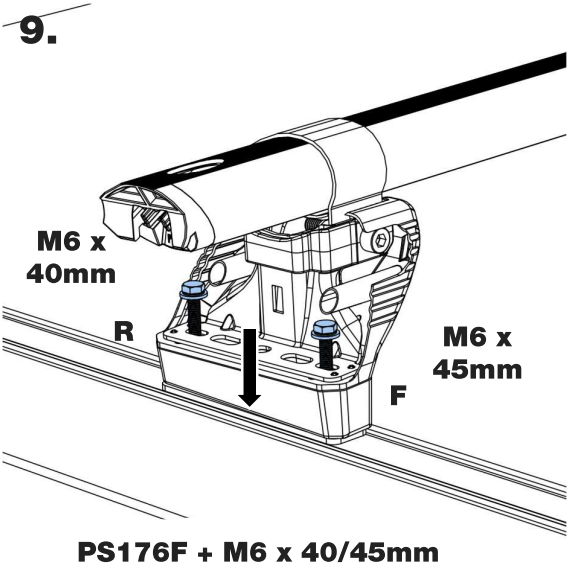
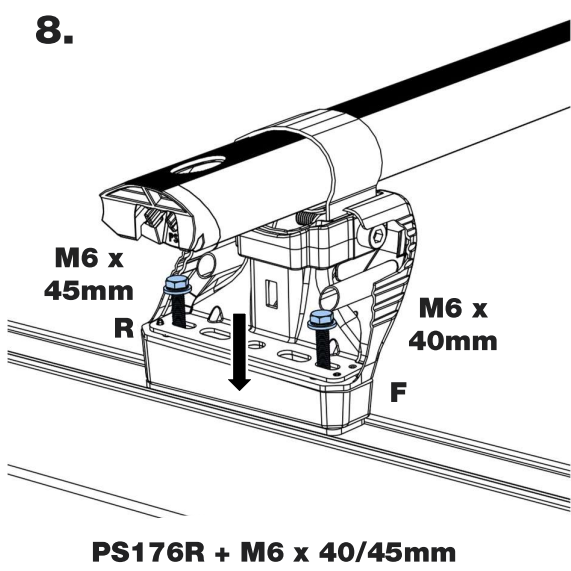
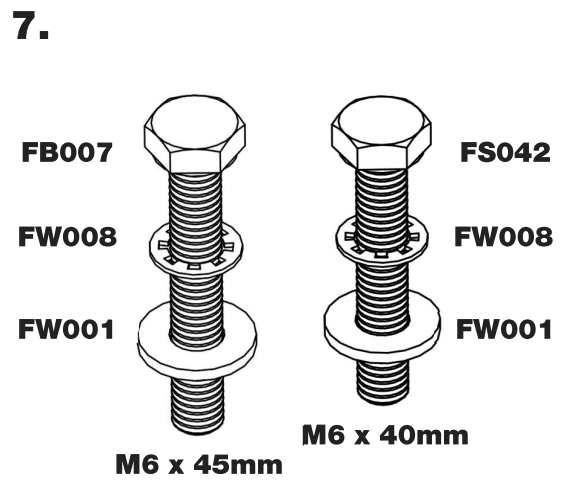
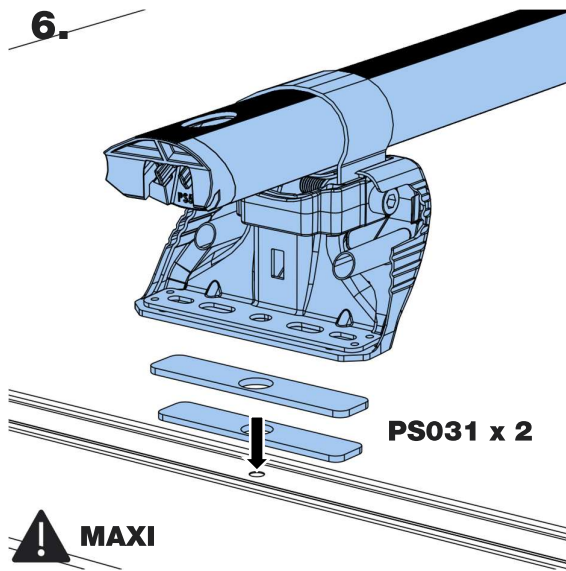


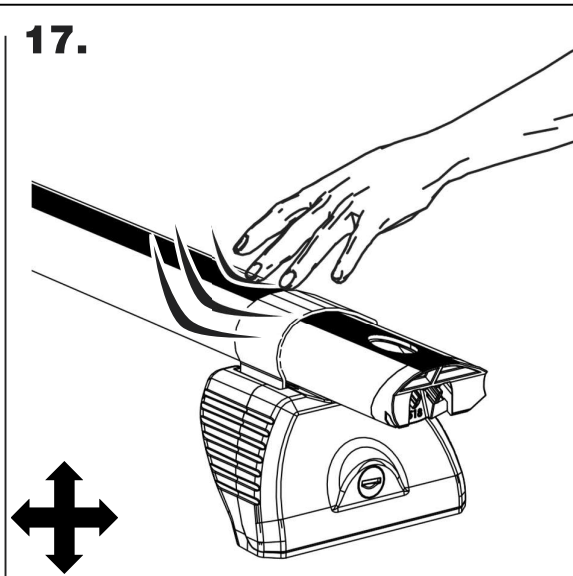
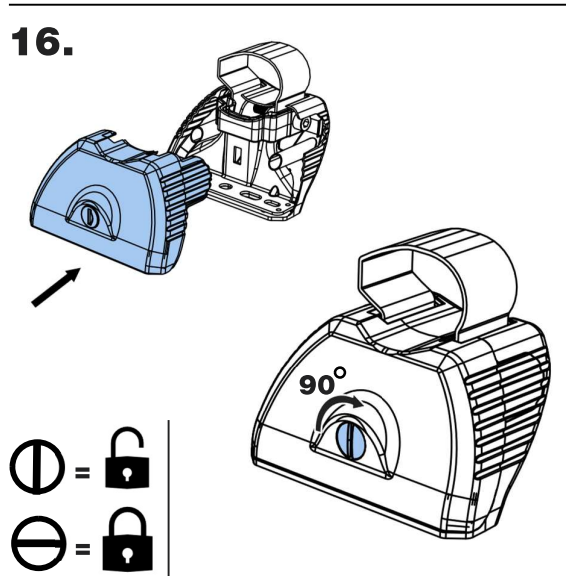
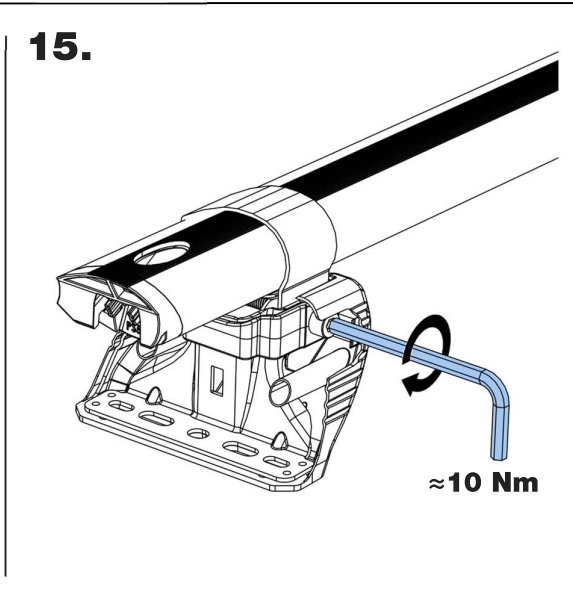
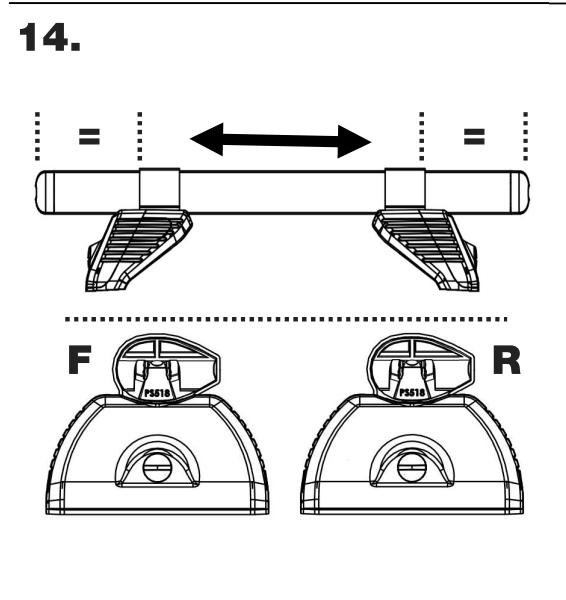
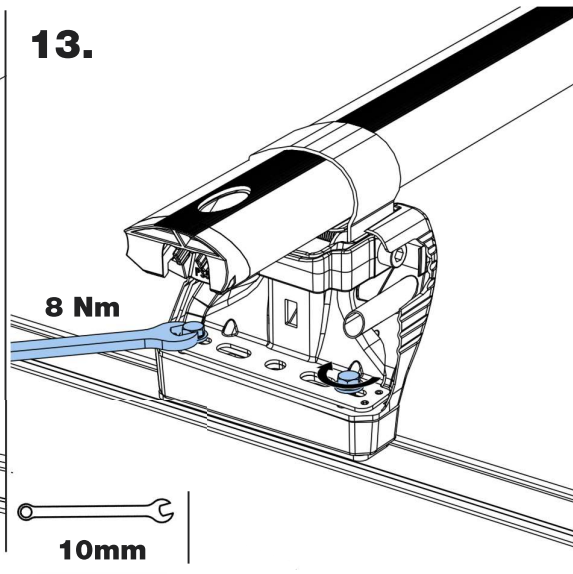
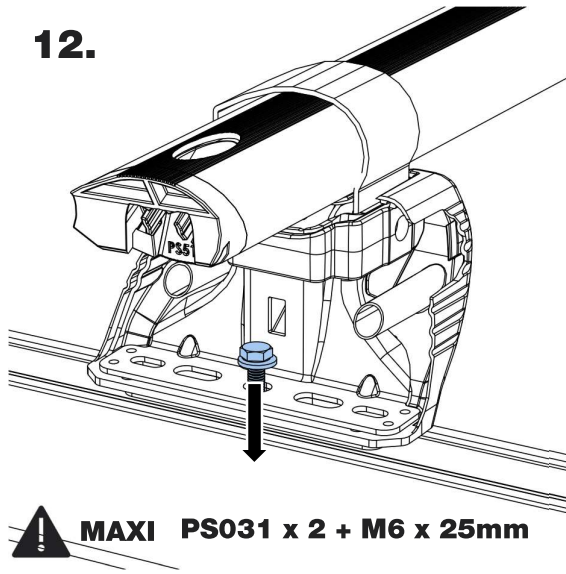
4.



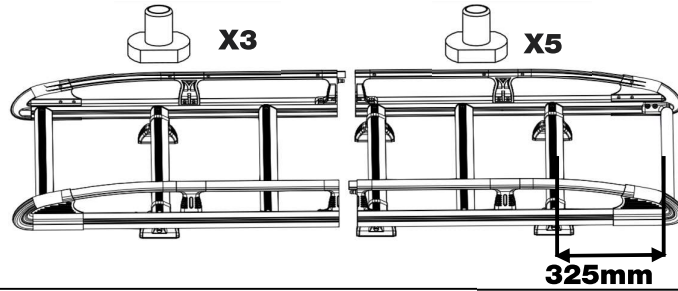
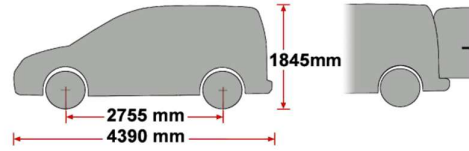
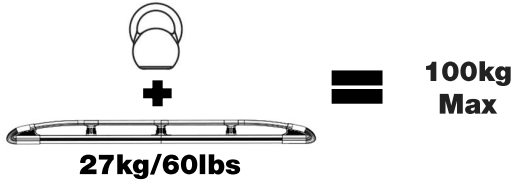
5.



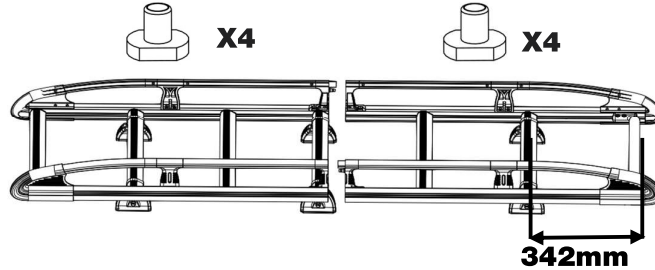
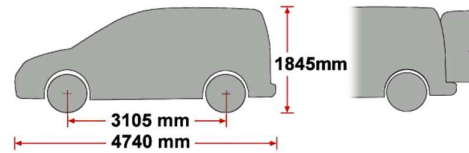
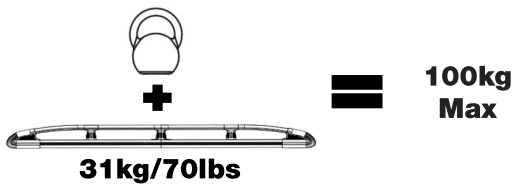




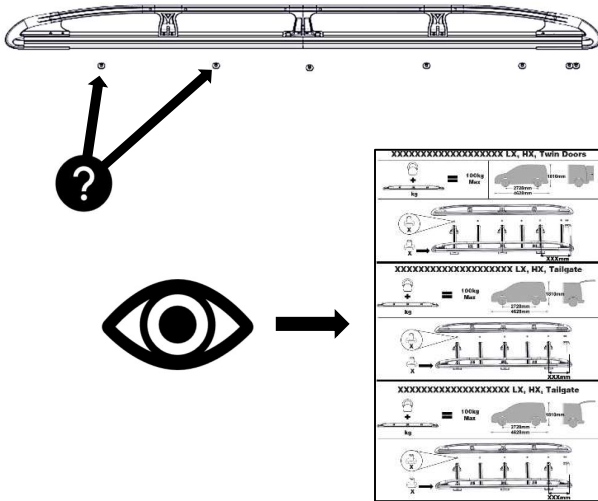
K602- Combo/Doblo 2010- L1, Twin Doors



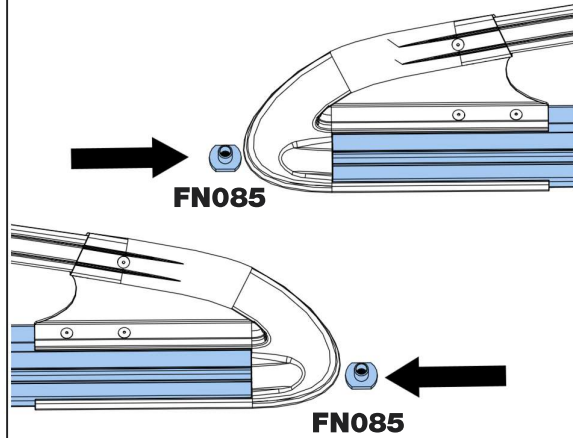
K603- Combo/Doblo 2011- Maxi, Twin Doors



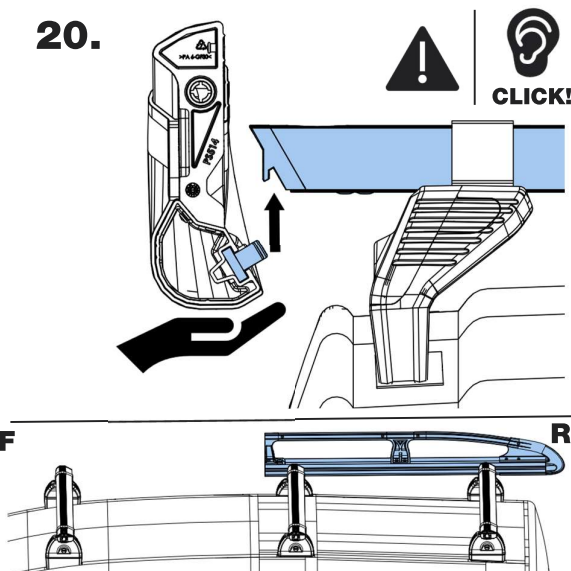
18.



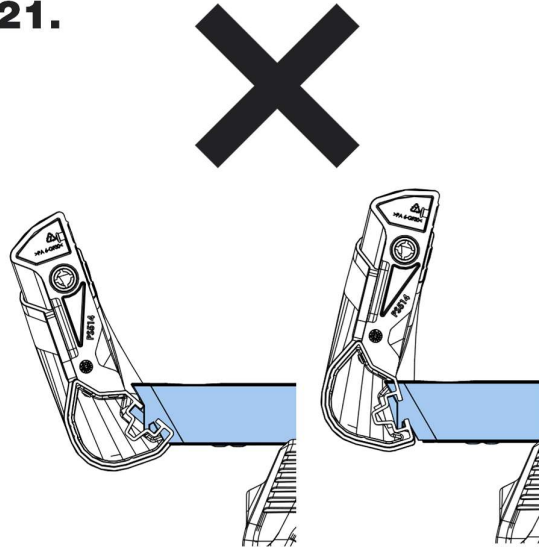
19.



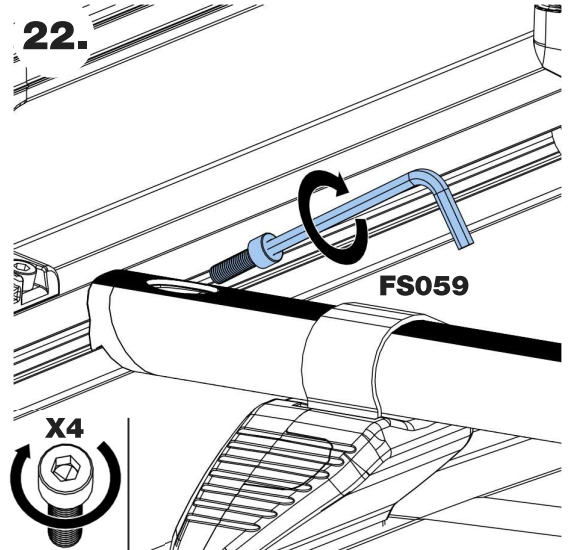
20.



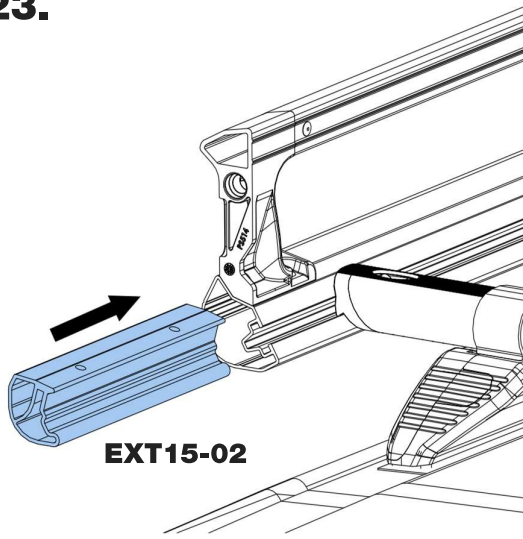
21.



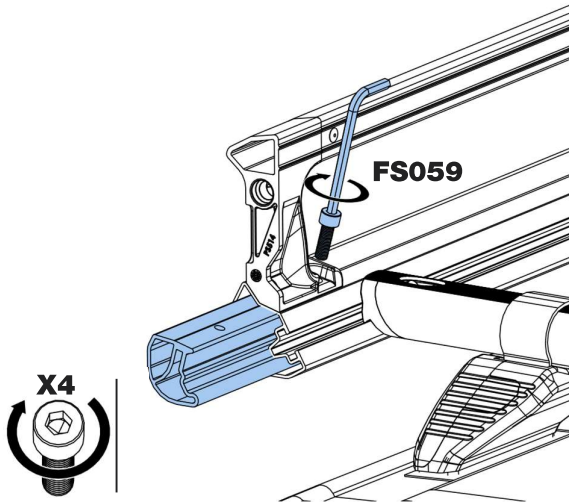
22.



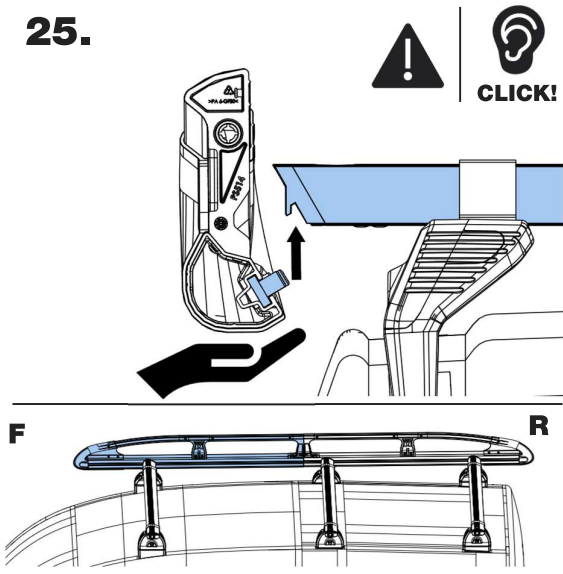
23.



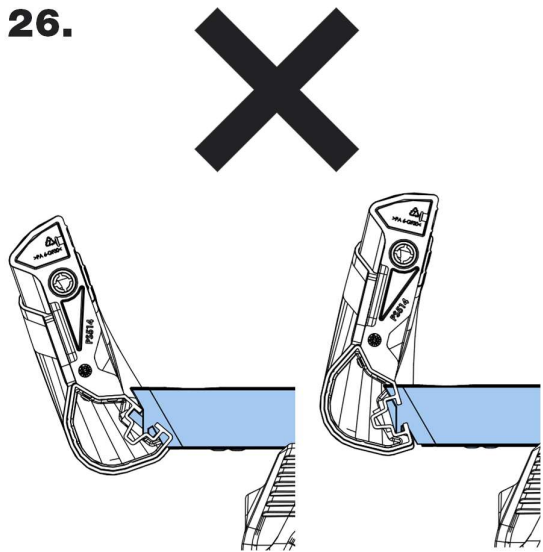
24.



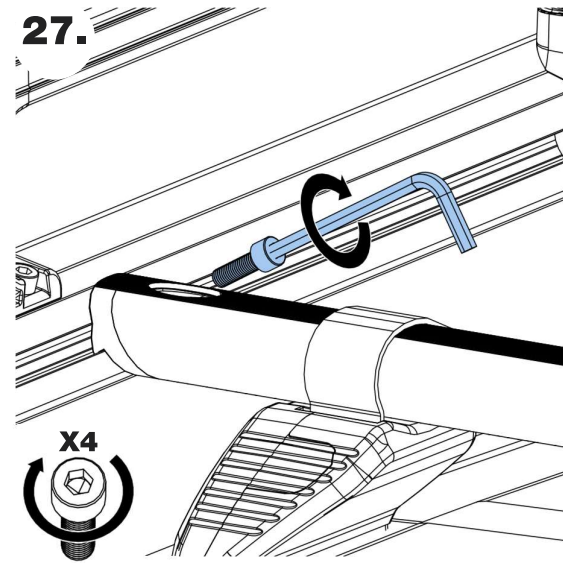
25.



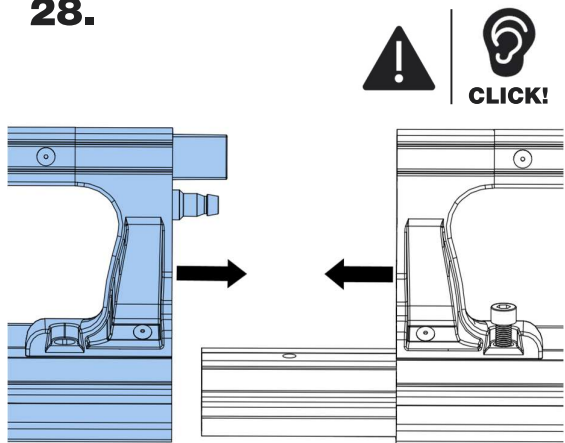
26.



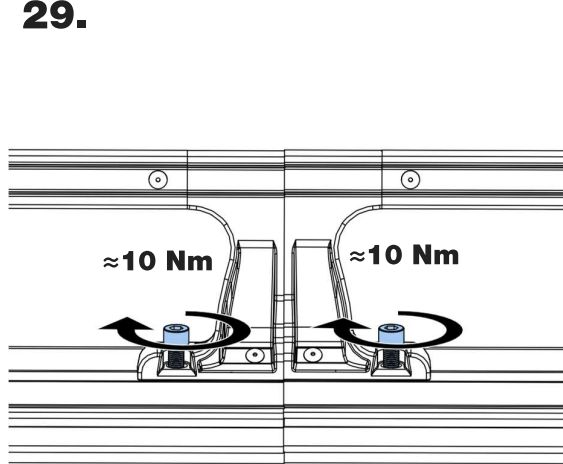
27.



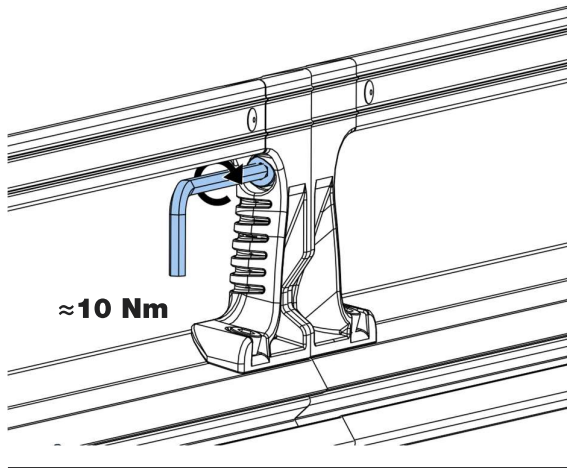
28.



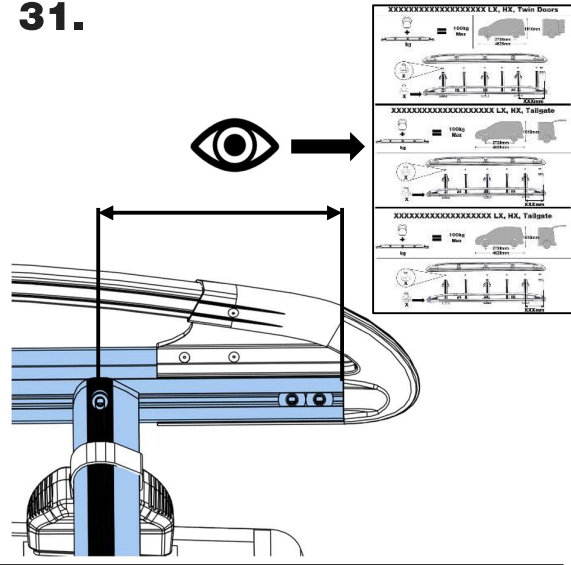
29.



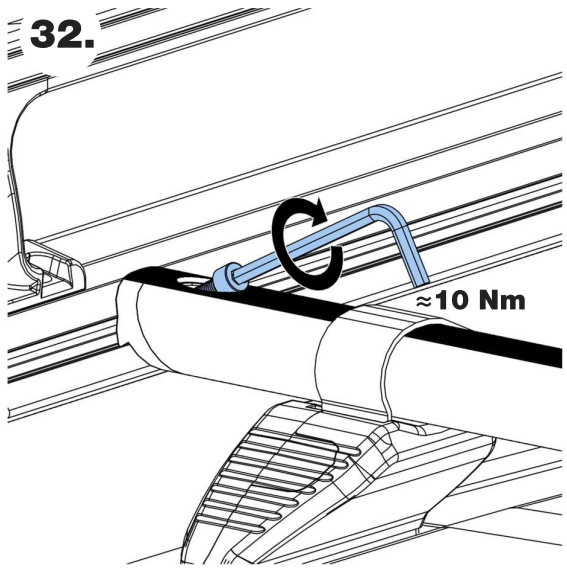
30.



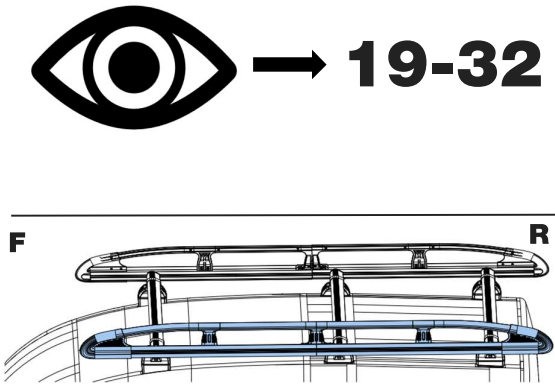
31.



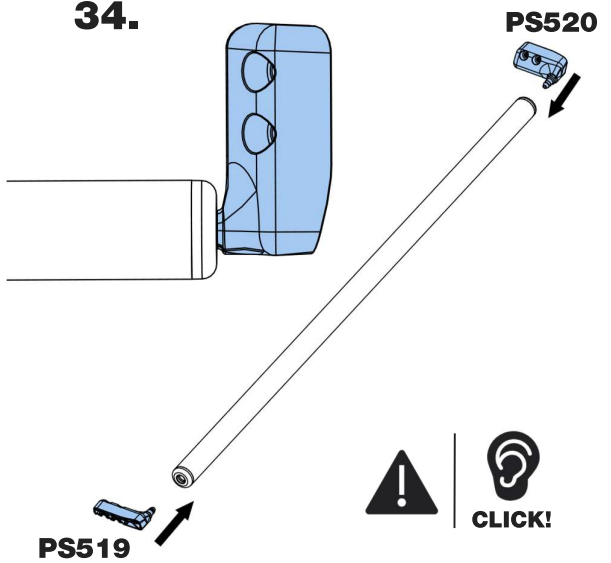
32.



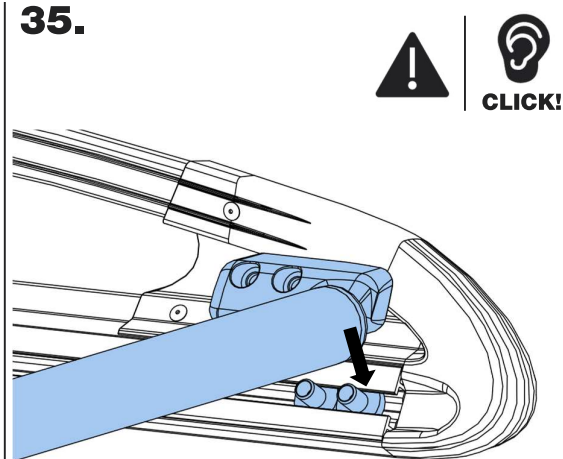
33.



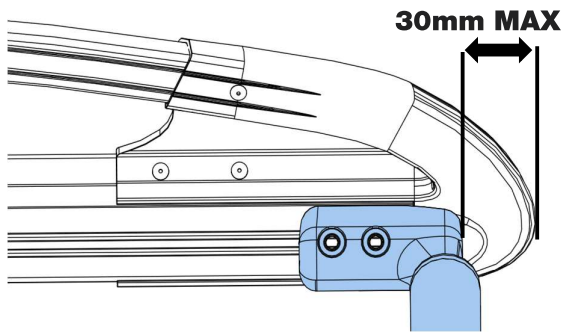
34.



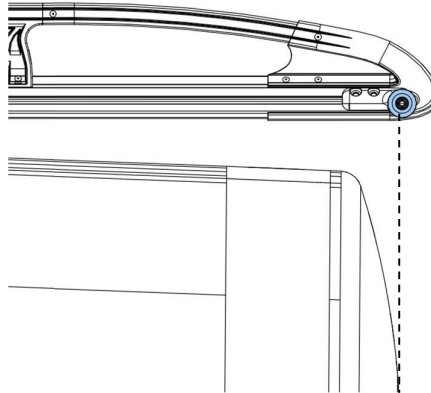
35.



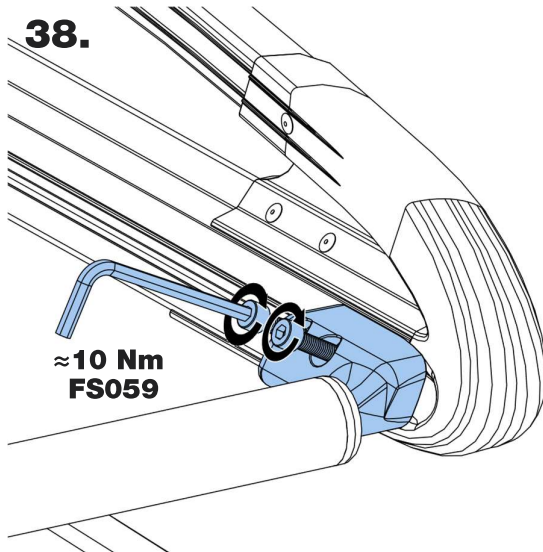
36.



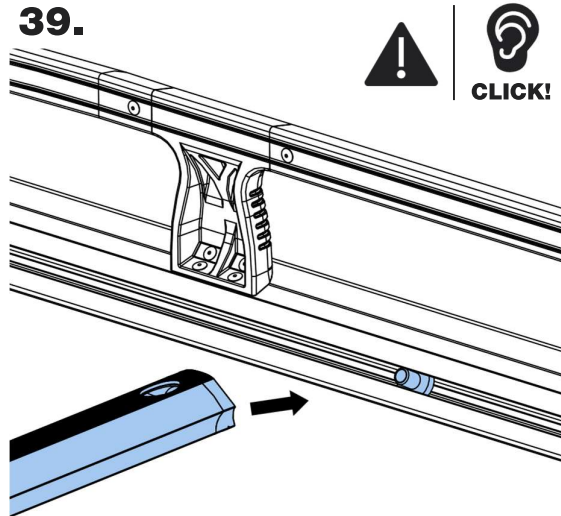
37.



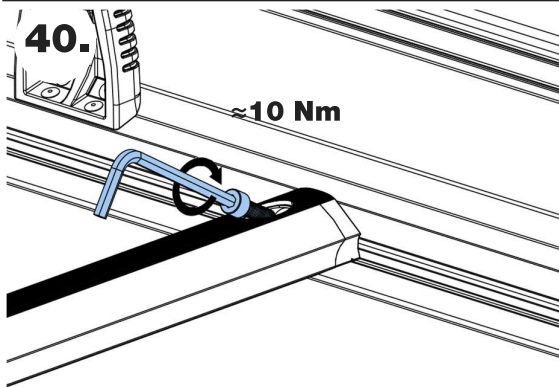
38.



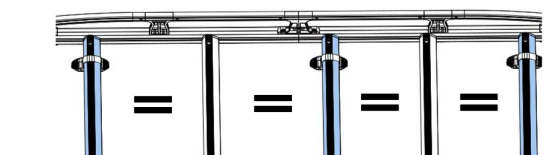
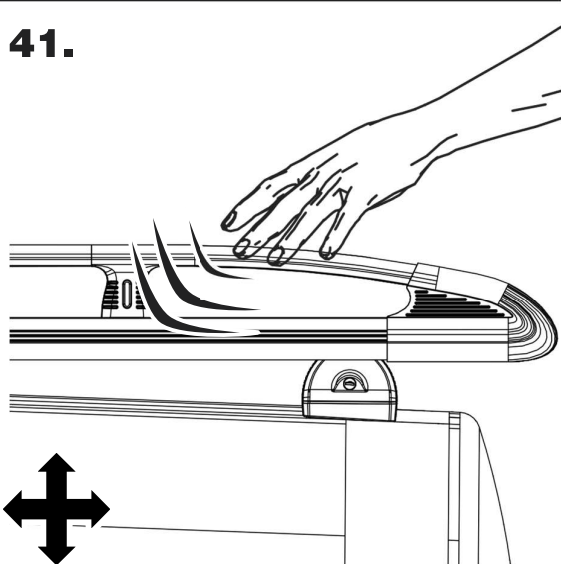
39.



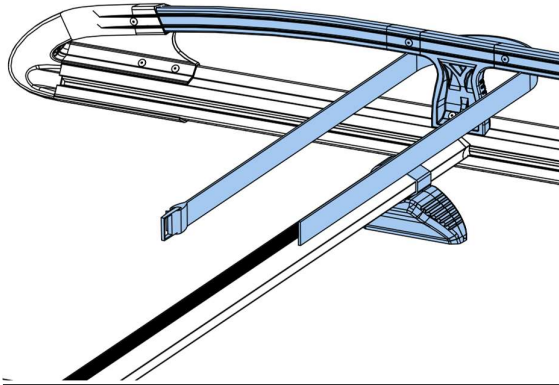
40.



41.



42.



43.

