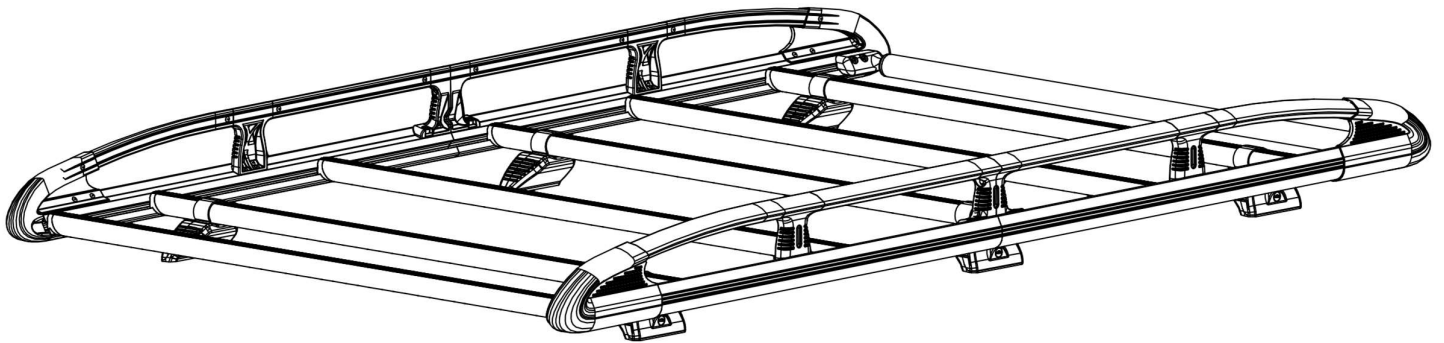


DK3KR KammRack

Instructions

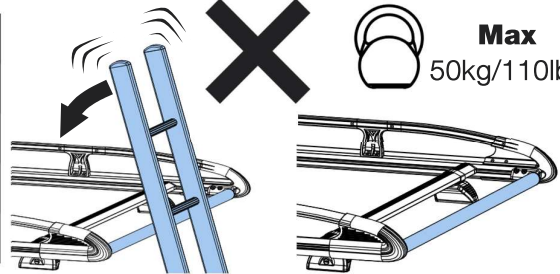
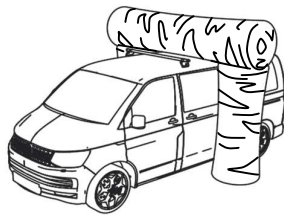
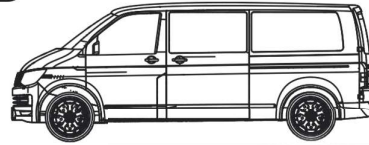


CITY CRASH (✓)

According to ISO/ PAS 11154:2006

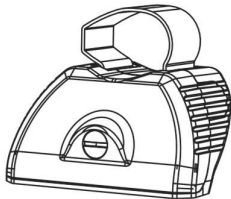
DK3KR:

Renault Express, 2021–
Dacia Dokker, 2021–

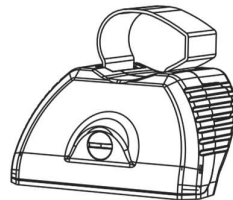


Max
50kg/110lbs

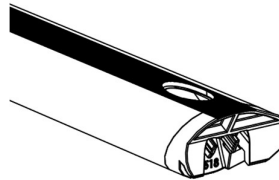
KammRack



SA397U x 3



SA398U x 3



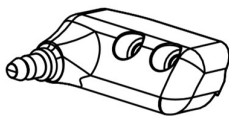
**SA428/
SA466**



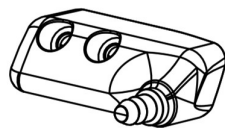
C04 x 6
optional upgrade

LHS x 2

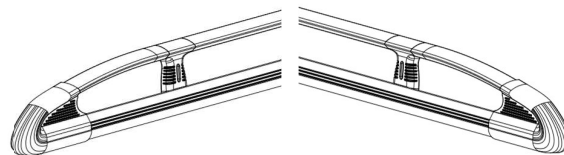
RHS x 2



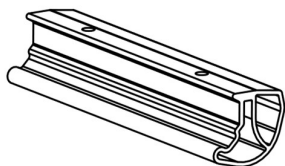
PS519 x 1



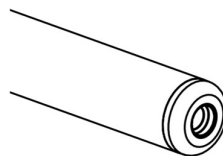
PS520 x 1



ASF x 1

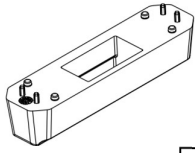


EXT15-02 x 2

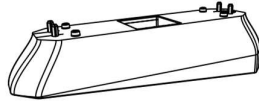


SA436 x 1

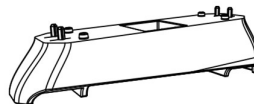
Fitting Kit



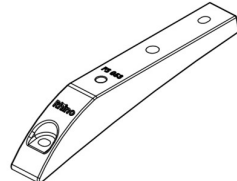
PS180 x 2



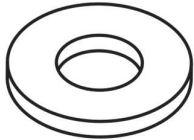
PS254L x 1



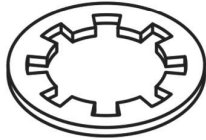
PS254R x 1



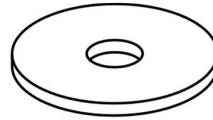
PS053 x 2



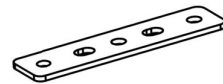
FW002 (M8) x 6



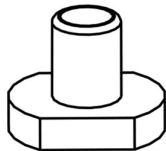
FW009 (M8) x 6



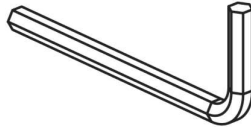
PS260 (M8) x 6



PS023 x 4



FN085 x 16



FT01 x 1



FT05 x 1



FS109
(M8 x 90) x 2

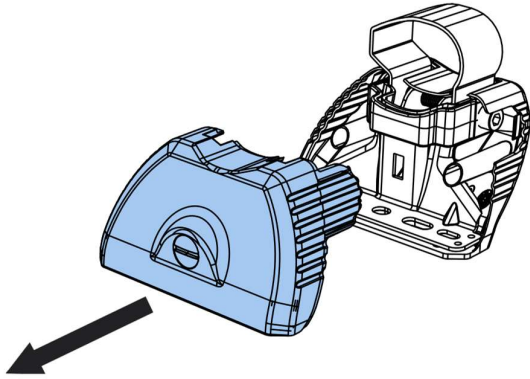


FS105
(M8 x 55) x 2

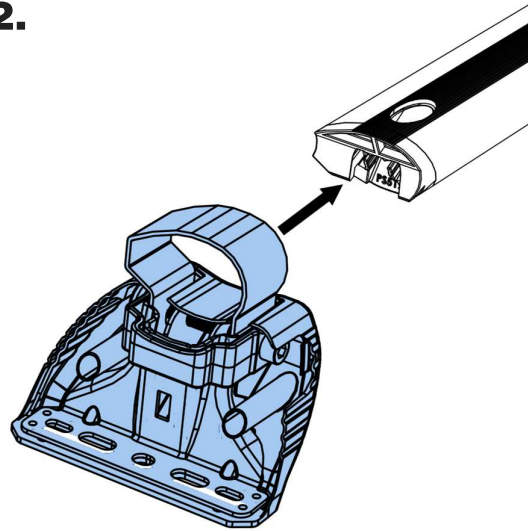


FS061
(M8 x 35) x 2

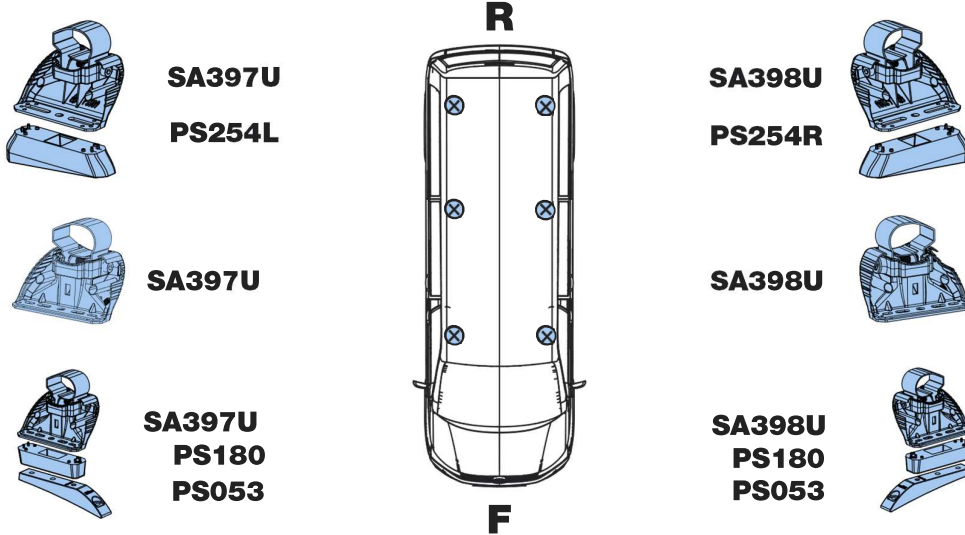
1.



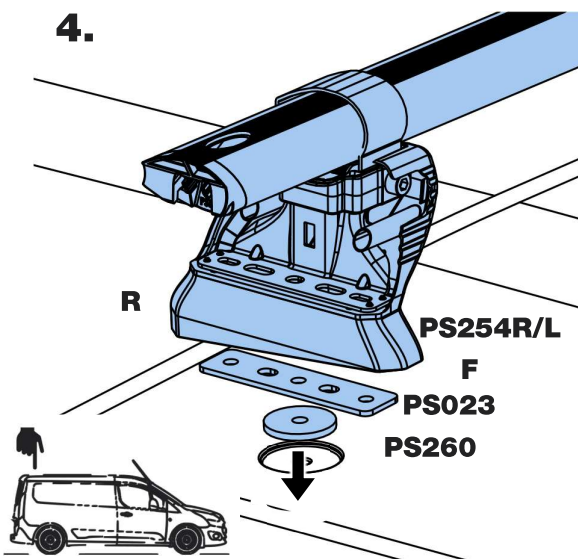
2.



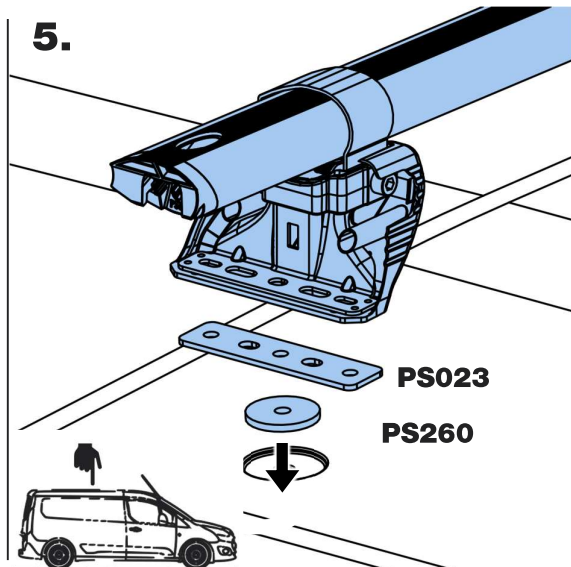
3.

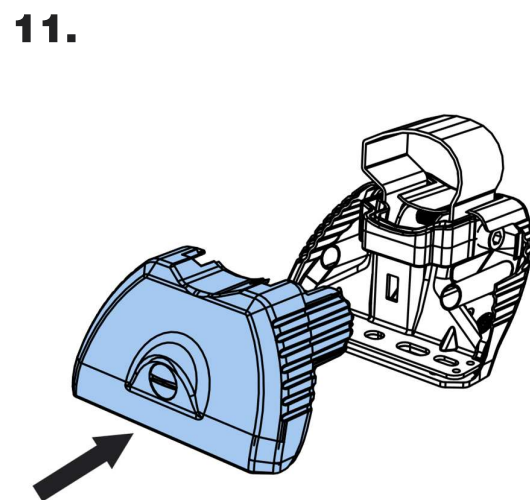
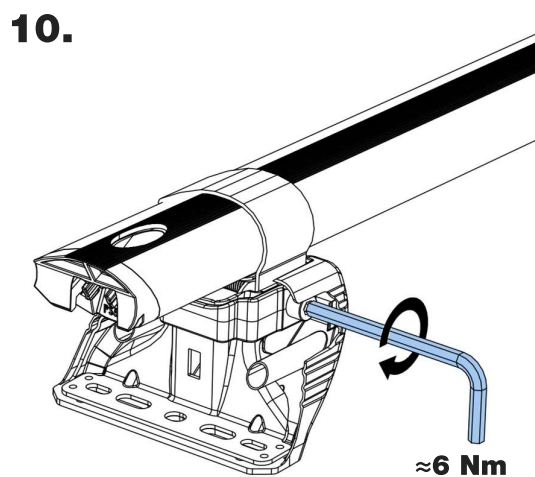
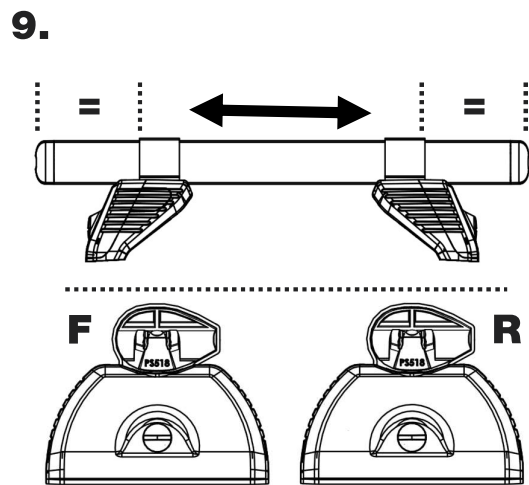
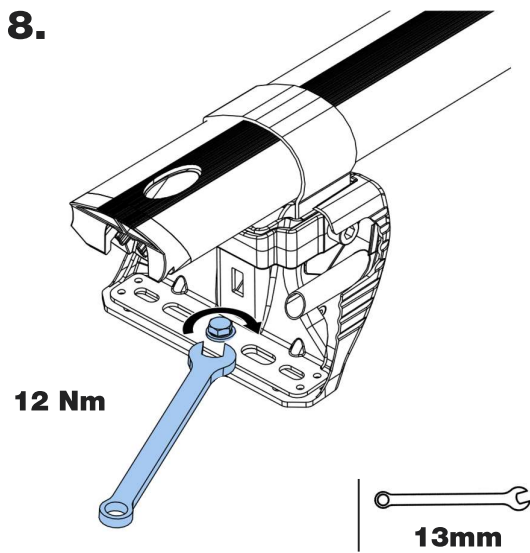
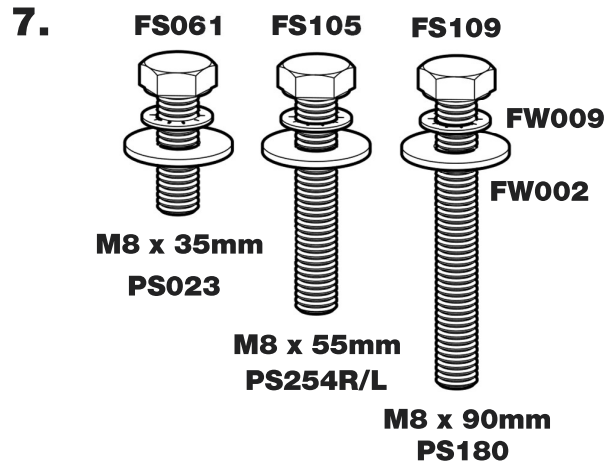
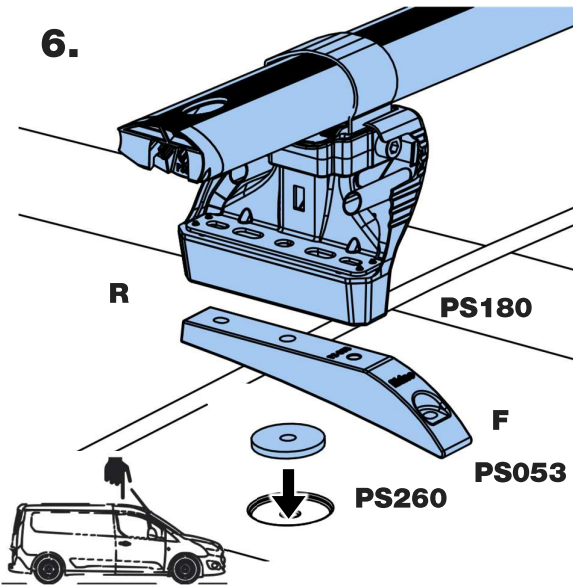


4.

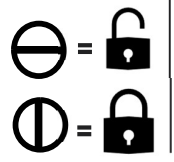
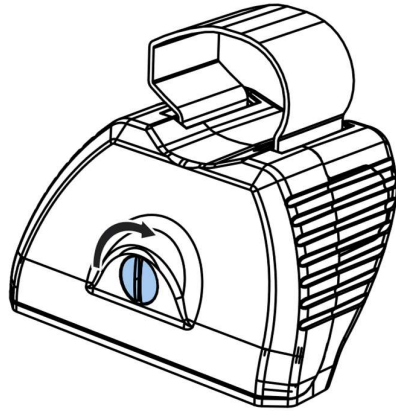


5.

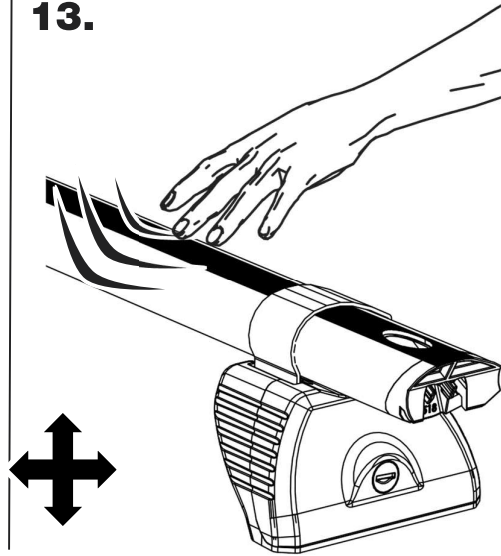




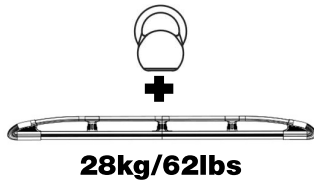
12.



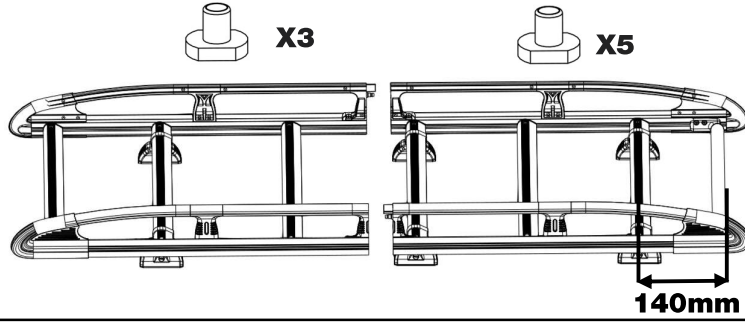
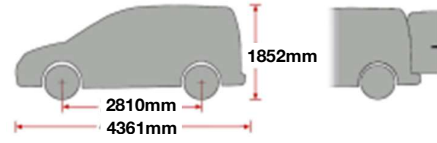
13.



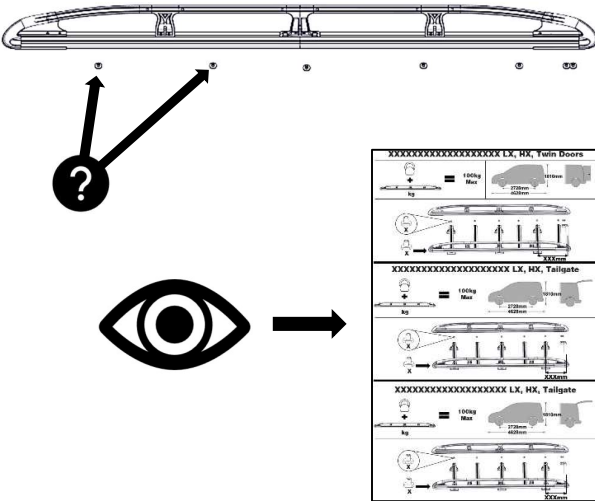
K691/B691- Renault Express, Dacia Dokker 2021 - Twin Doors



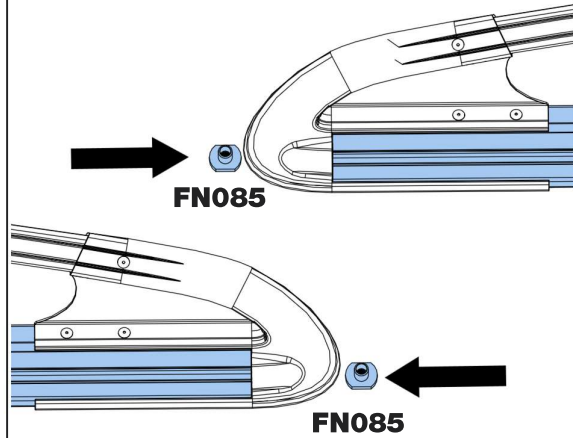
**100kg
Max**



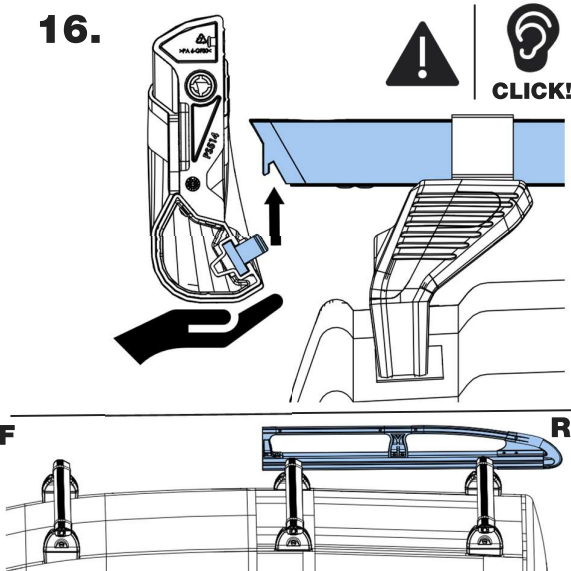
14.



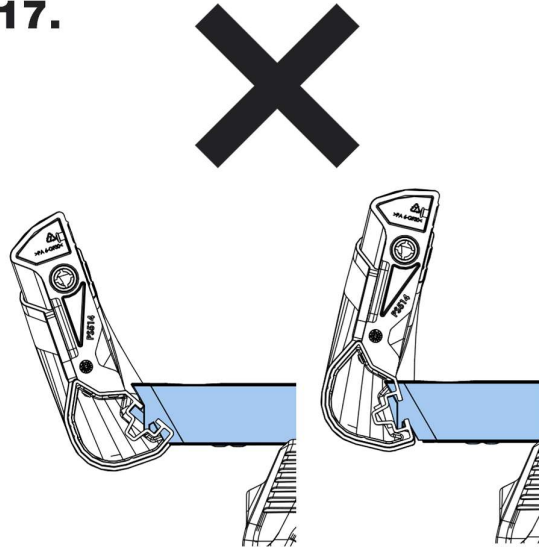
15.



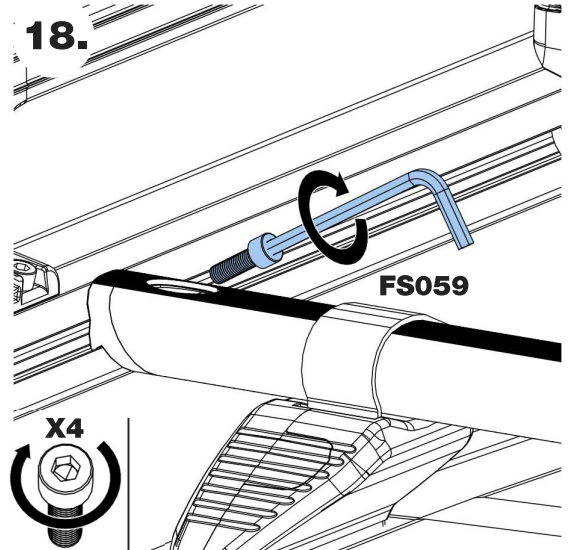
16.



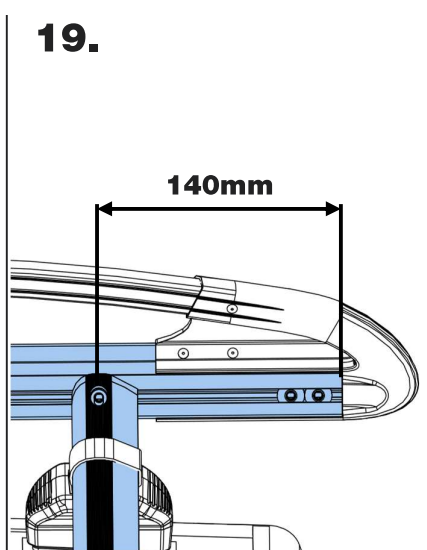
17.

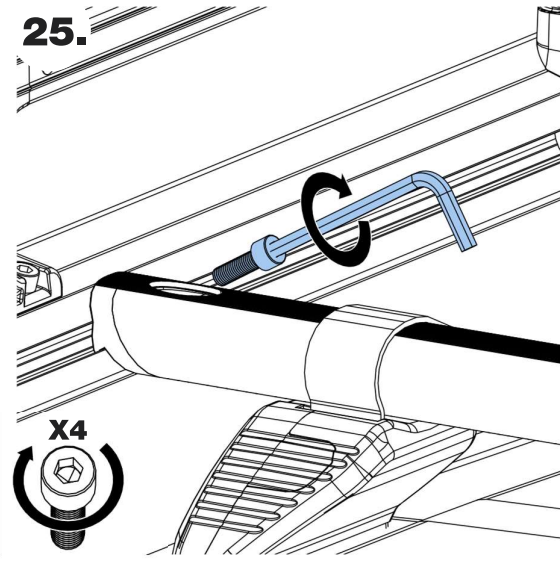
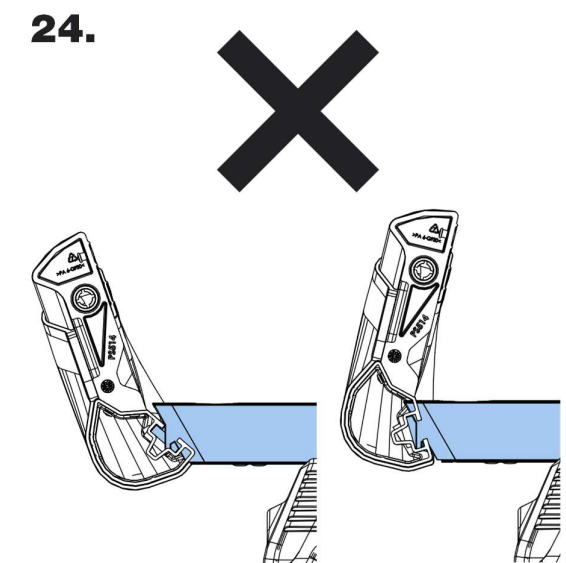
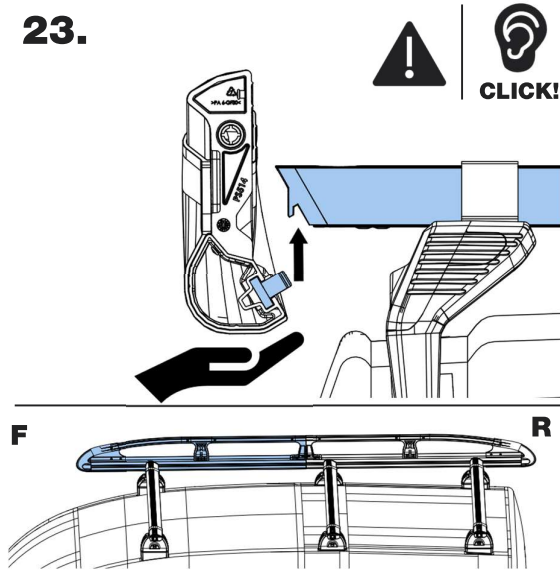
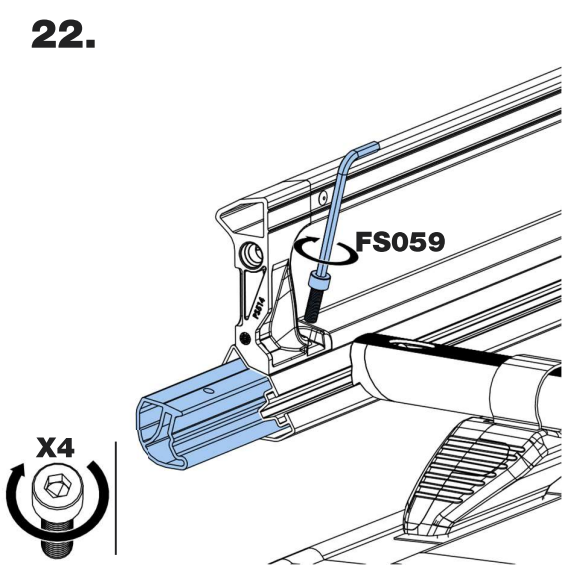
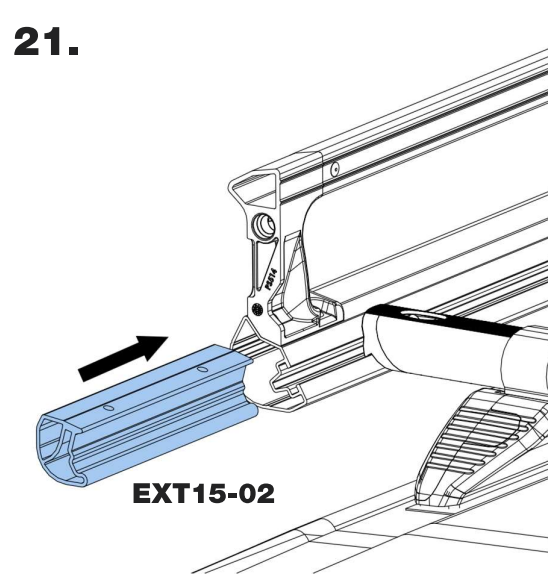
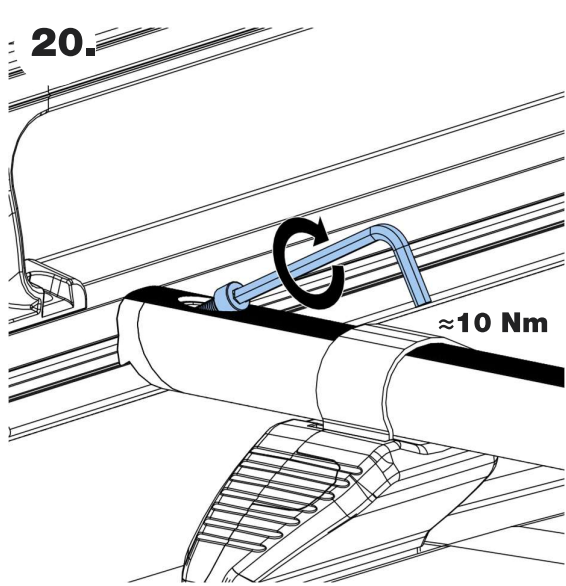


18.

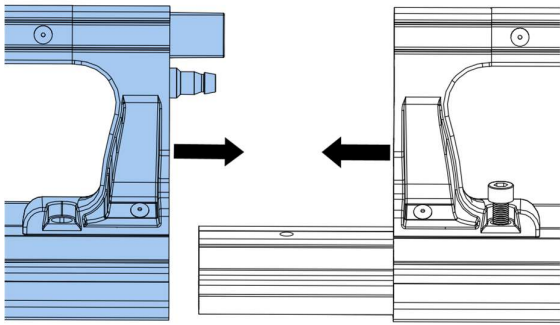


19.

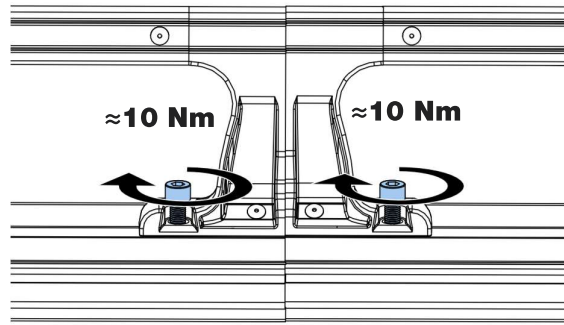




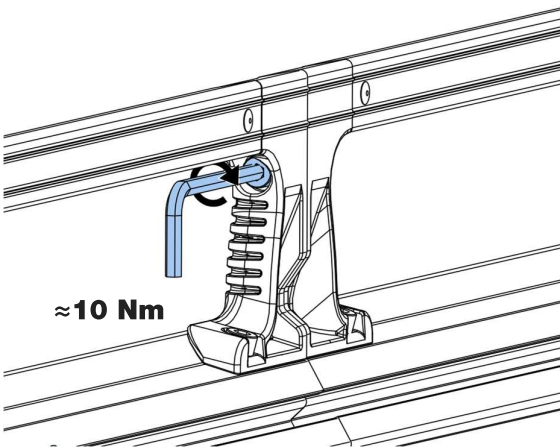
26.



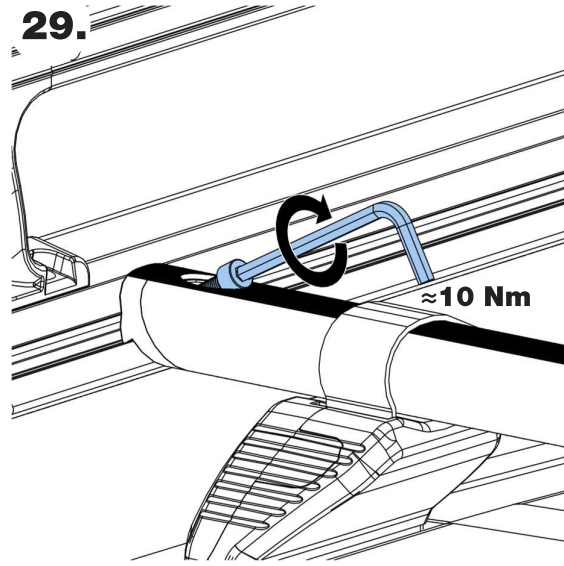
27.



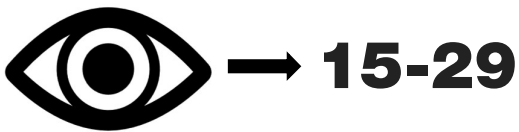
28.



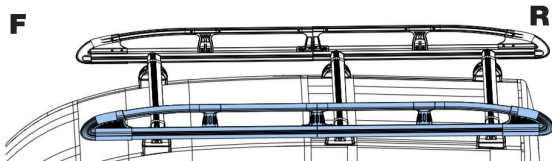
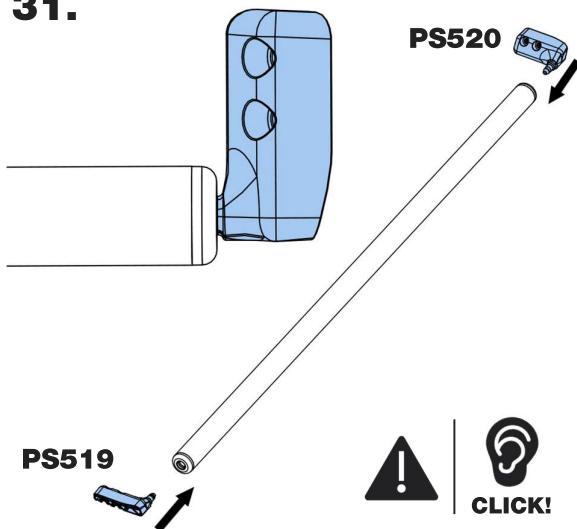
29.



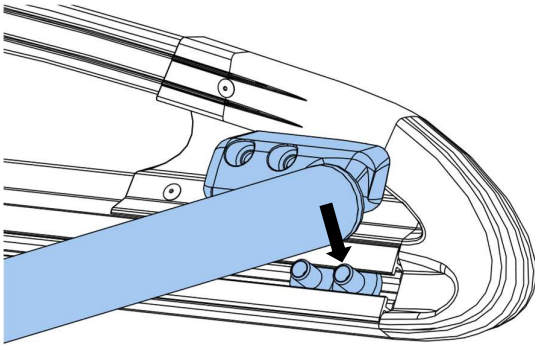
30.



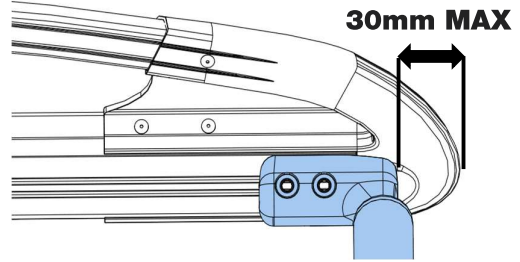
31.



32.

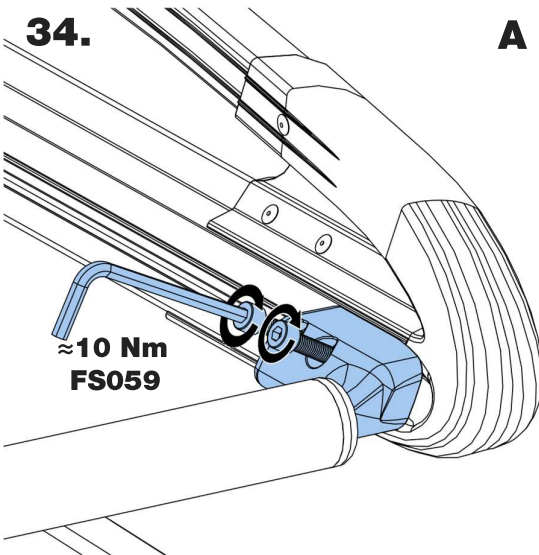


33.

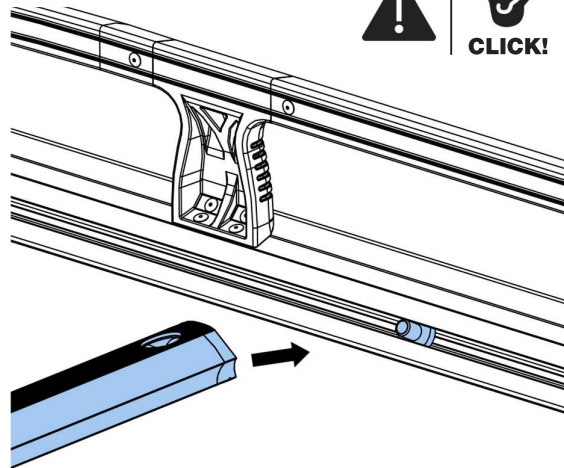


34.

A

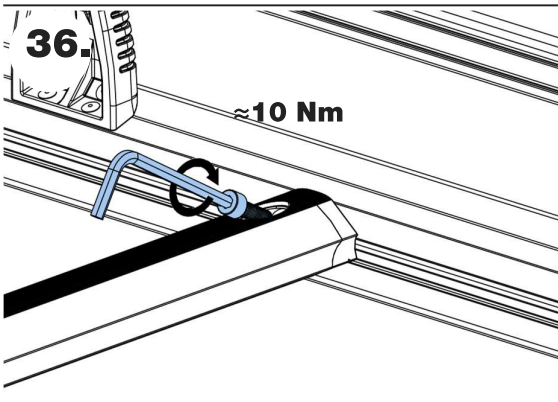


35.

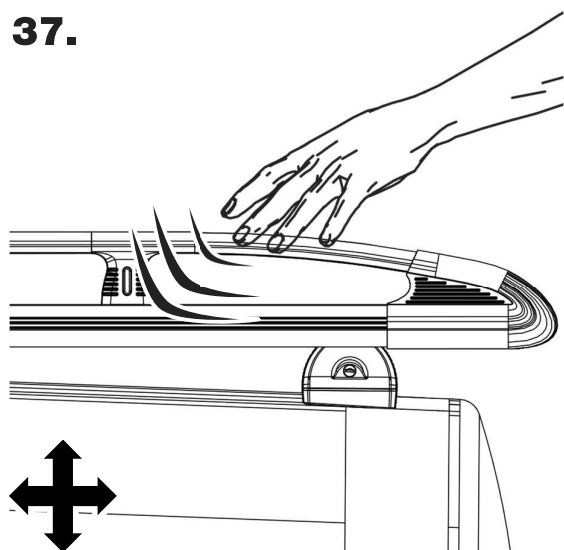


36.

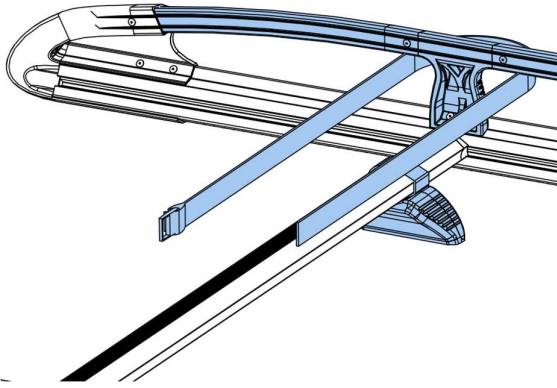
≈10 Nm



37.



38.



39.

