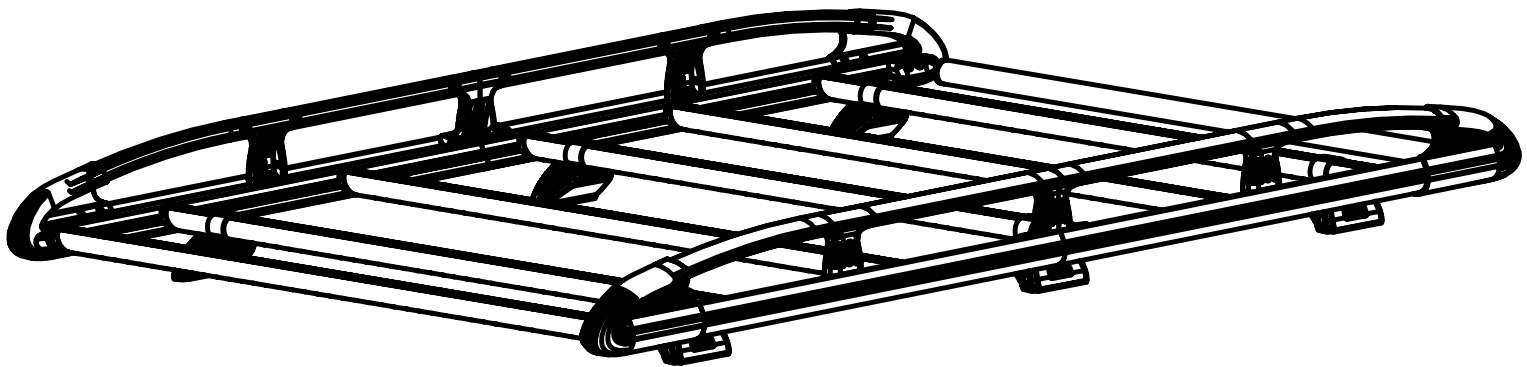


QA4KR

KammRack

Instructions

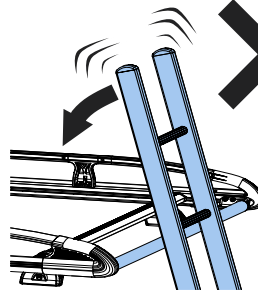
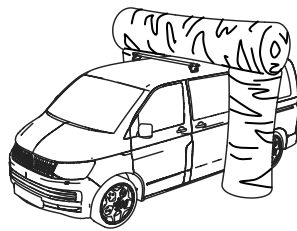
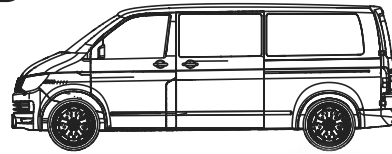


CITY CRASH (✓)

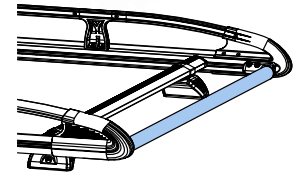
According to ISO/ PAS 11154:2006

QA4KR:

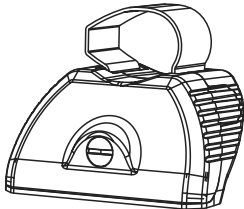
Renault Master 2010-
Vauxhall Movano 2010- 2020
Nissan NV400 2010-



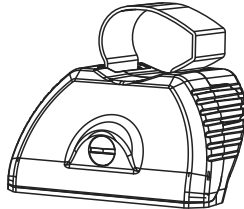
Max
50kg/110lbs



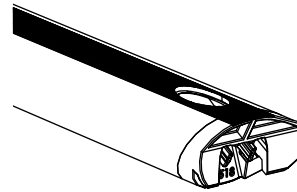
KammRack



SA397U x 4



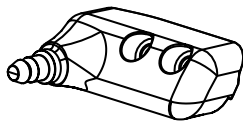
SA398U x 4



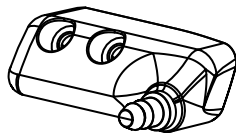
**SA430/
SA468**



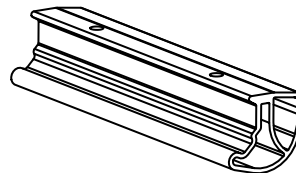
C04 x 8
optional upgrade



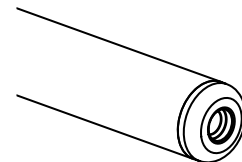
PS519 x 1



PS520 x 1

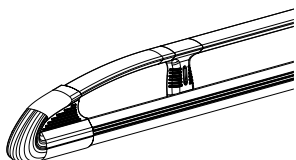


EXT15-02

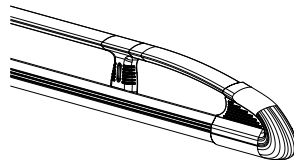


SA438 x 1

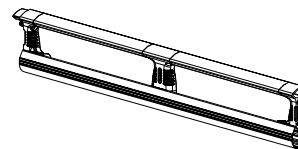
LHS x 2



RHS x 2

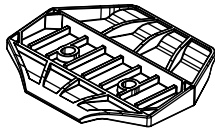


Centre x 2

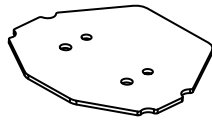


ASF x 1

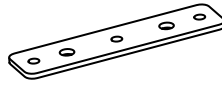
Fitting Kit



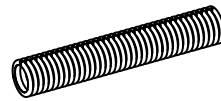
PS177 x 8



PS196 x 8



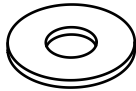
PS082 x 8



PS133-150 x 2



PS064 x 2



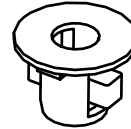
FW002
(M8) x 16



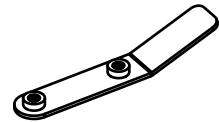
FW001
(M6) x 16



FN006
(M8) x 16



FN003
(M6) x 16



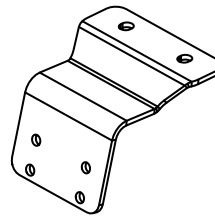
SA013 x 4



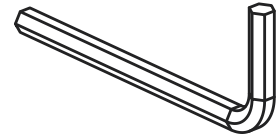
FS066
(M8 x 40) x 16



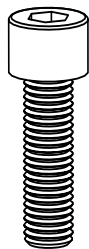
FS001
(M6 x 20) x 16



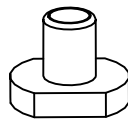
MS267 x 8



FT01 x 2



FS059
(M8 x 25) x 22

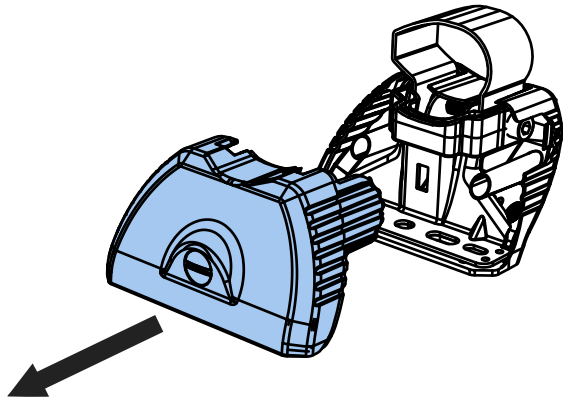


FN085 x 22

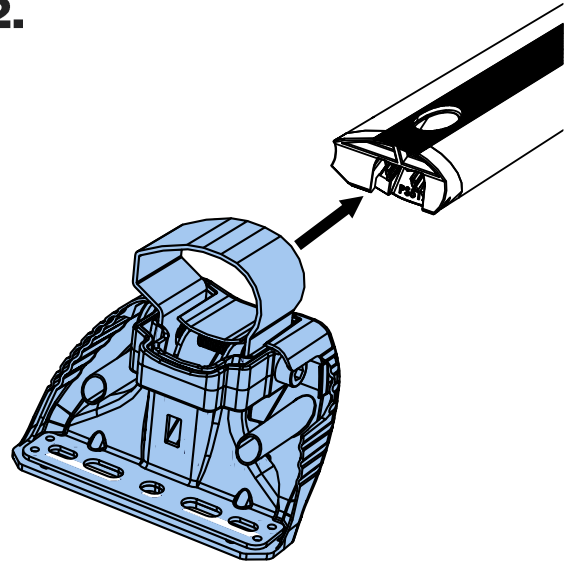


FT05 x 1

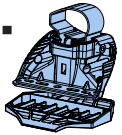
1.



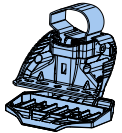
2.



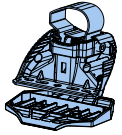
3.



SA397U
PS177



SA397U
PS177

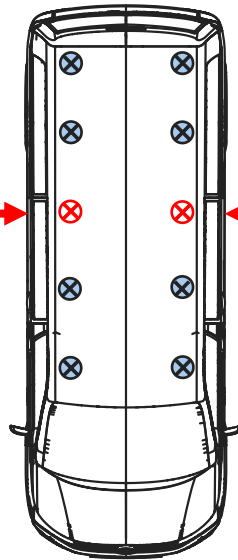


SA397U
PS177



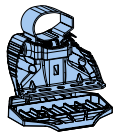
SA397U
PS177

**EXCLUDE
FOR L4
ONLY**

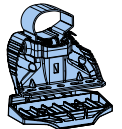


**EXCLUDE
FOR L4
ONLY**

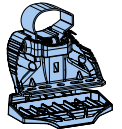
SA398U
PS177



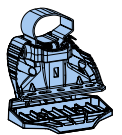
SA398U
PS177



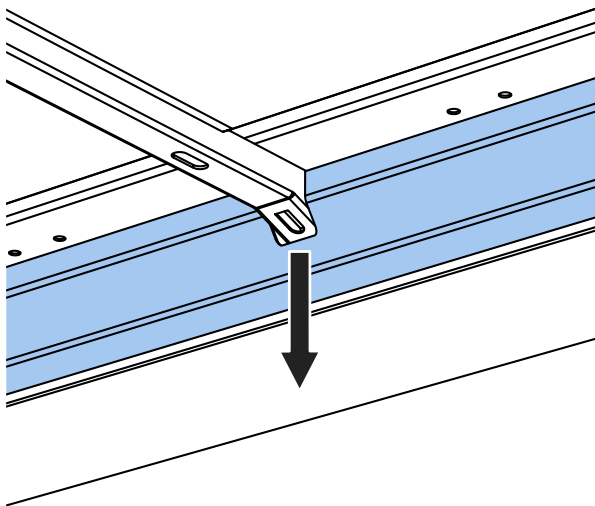
SA398U
PS177



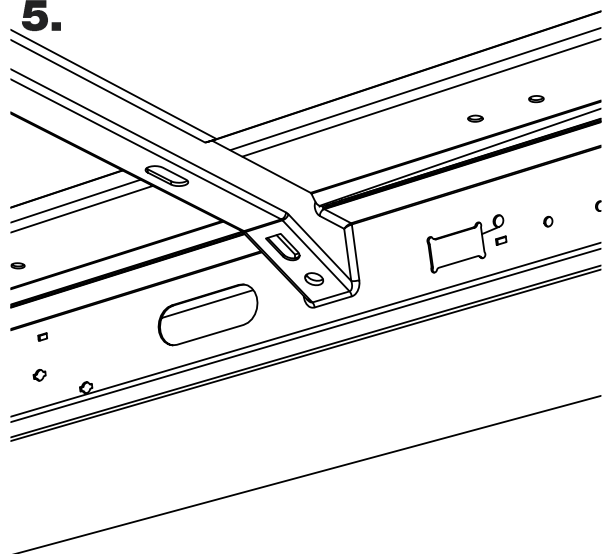
SA398U
PS177

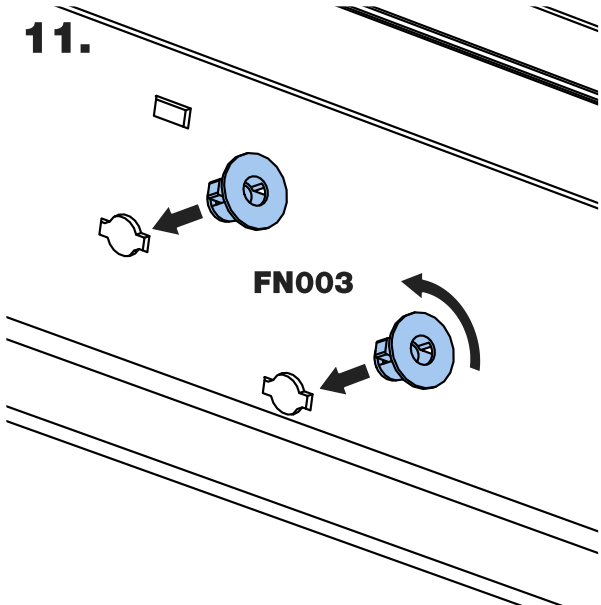
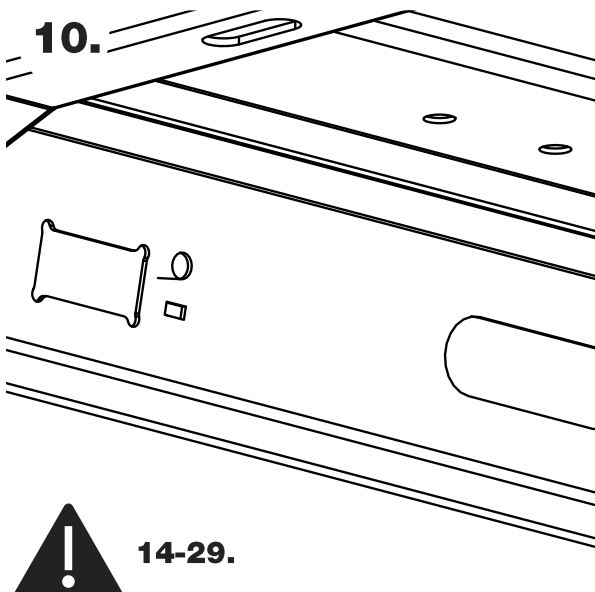
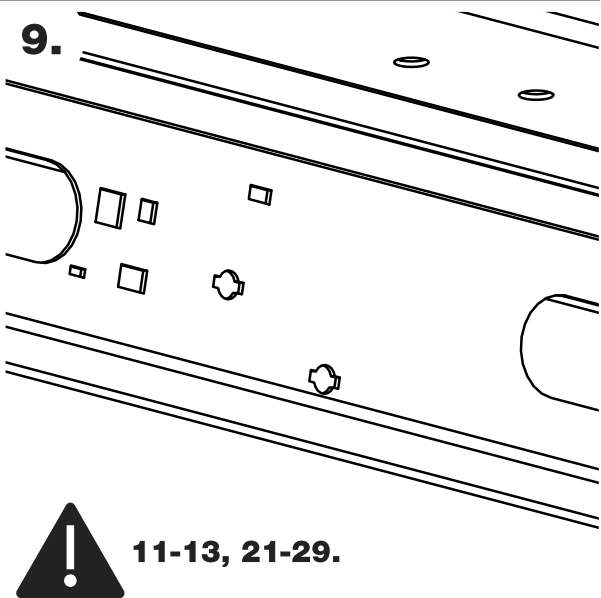
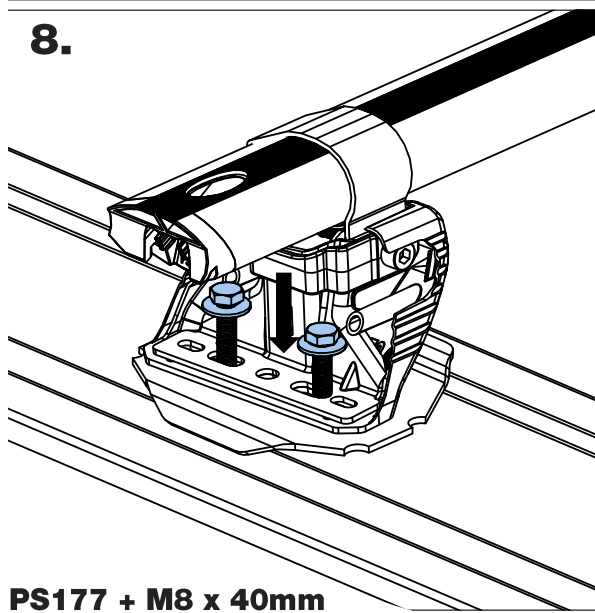
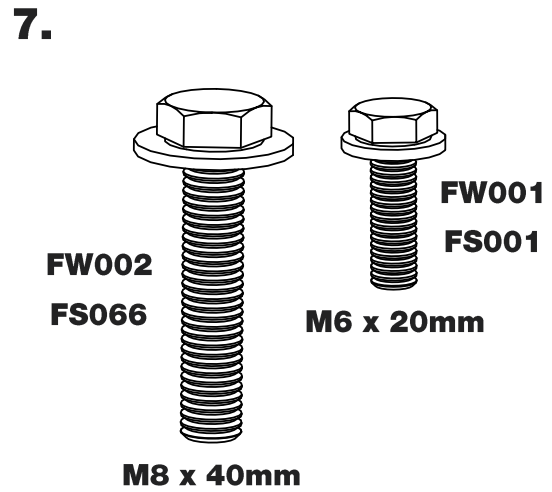
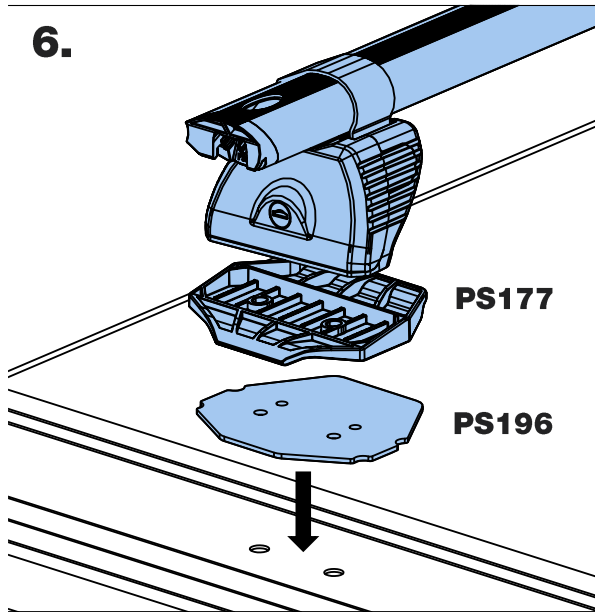


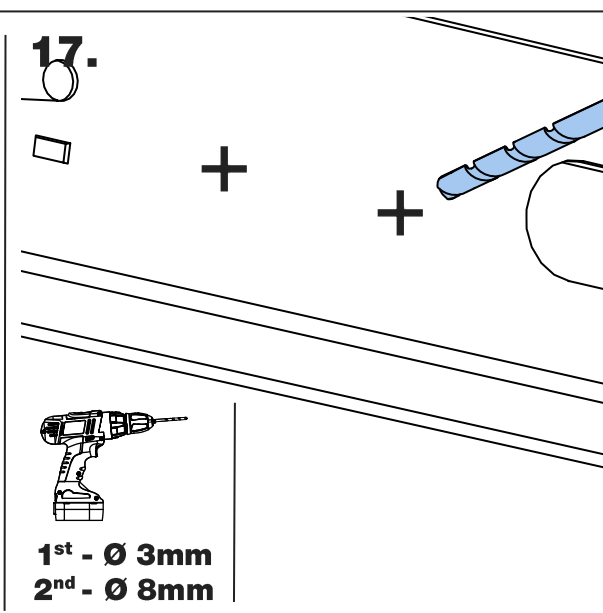
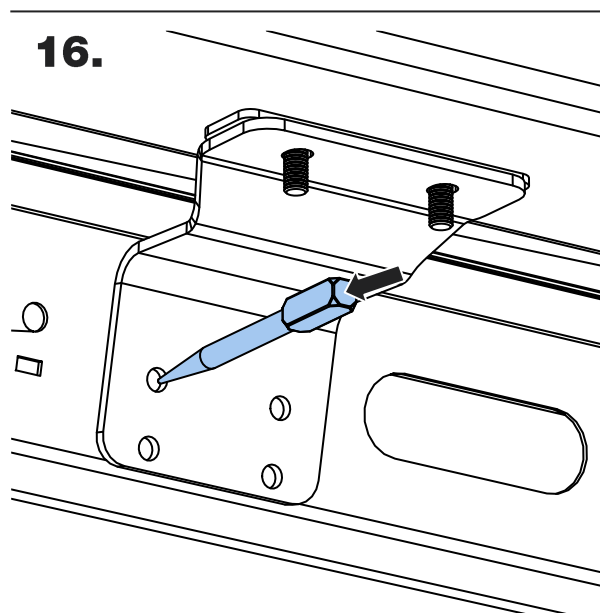
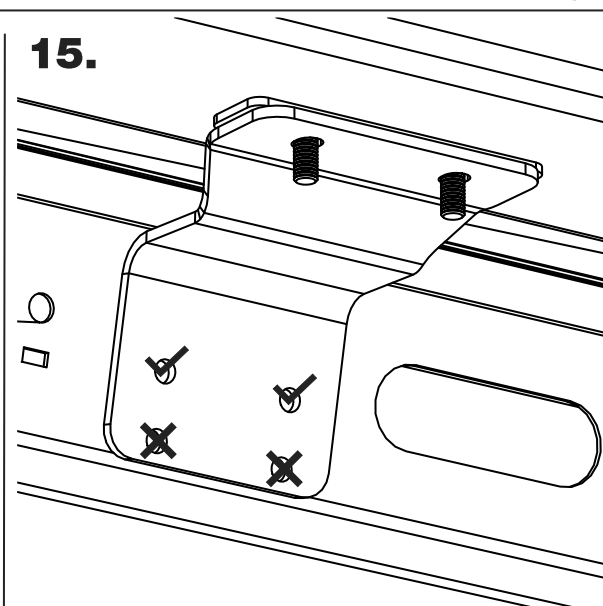
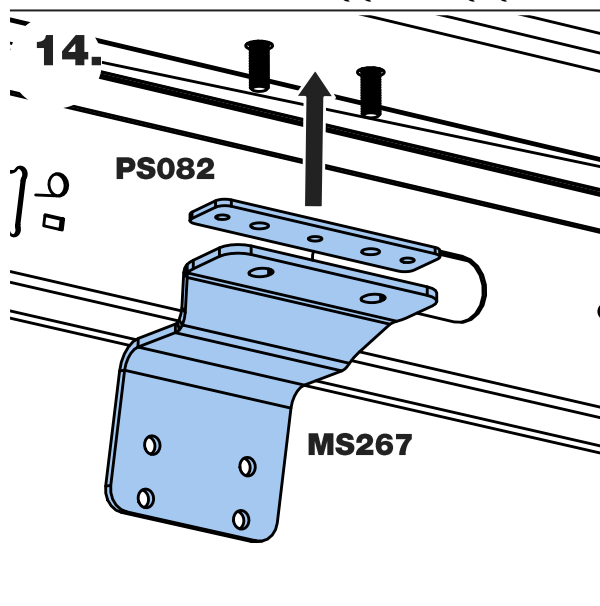
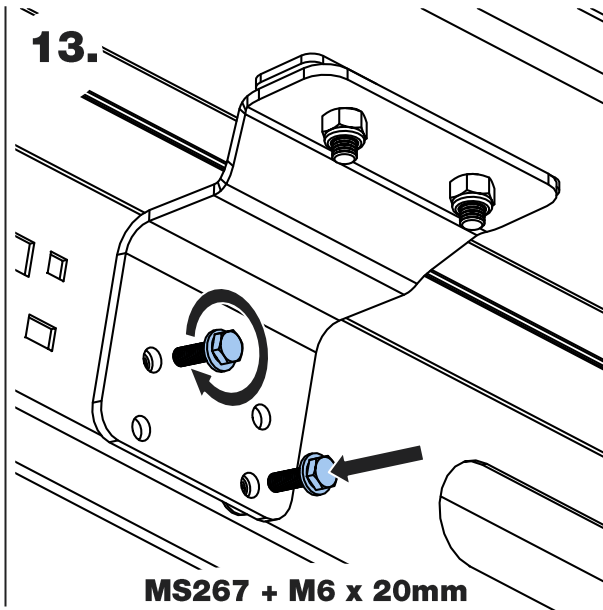
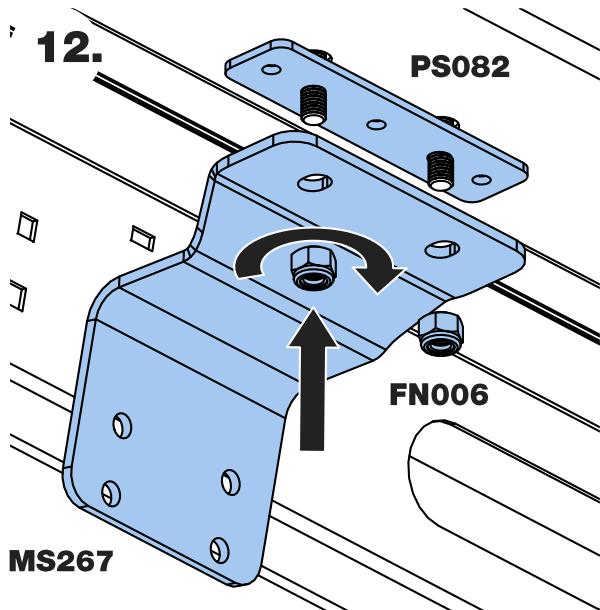
4.

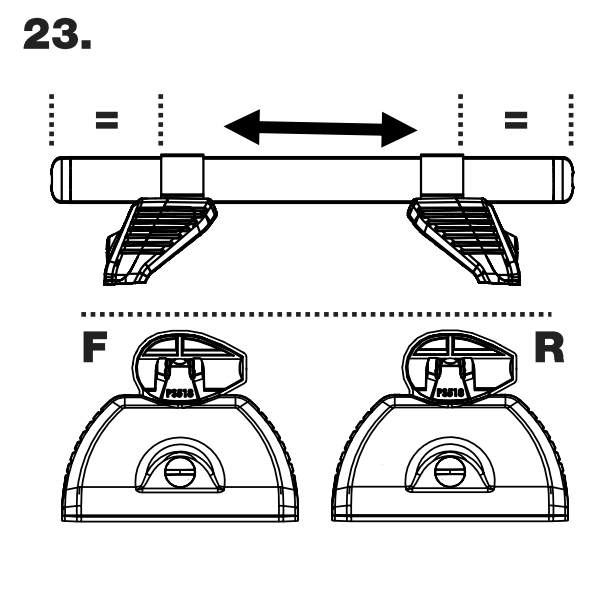
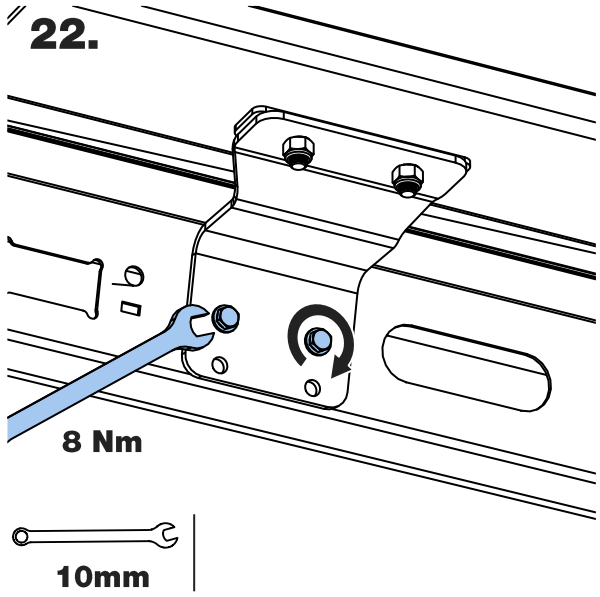
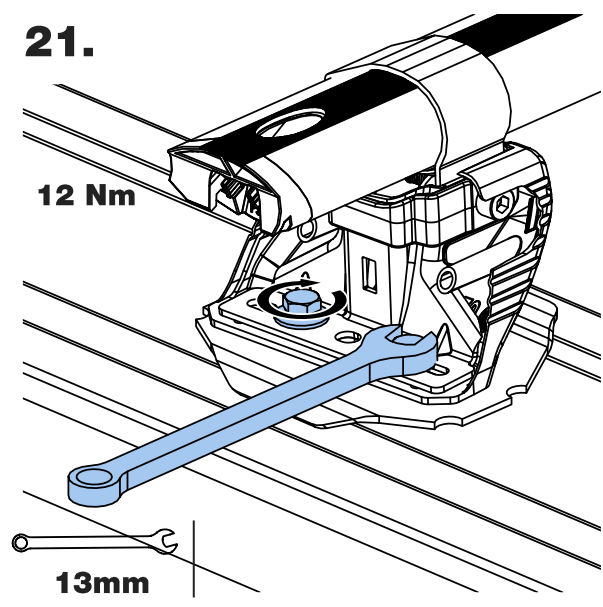
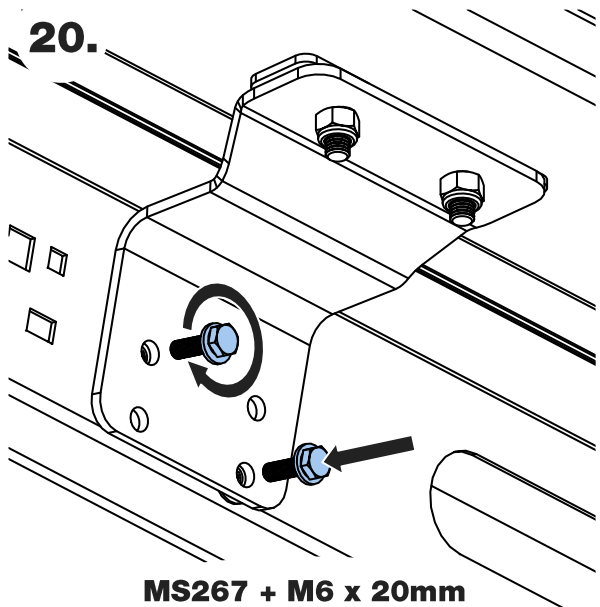
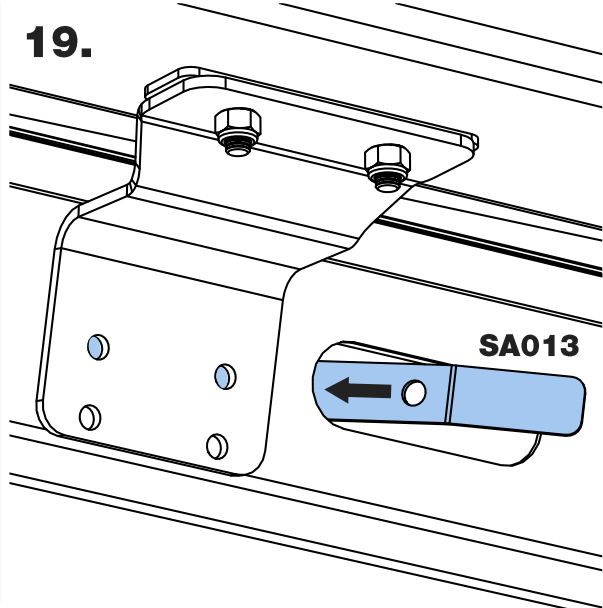
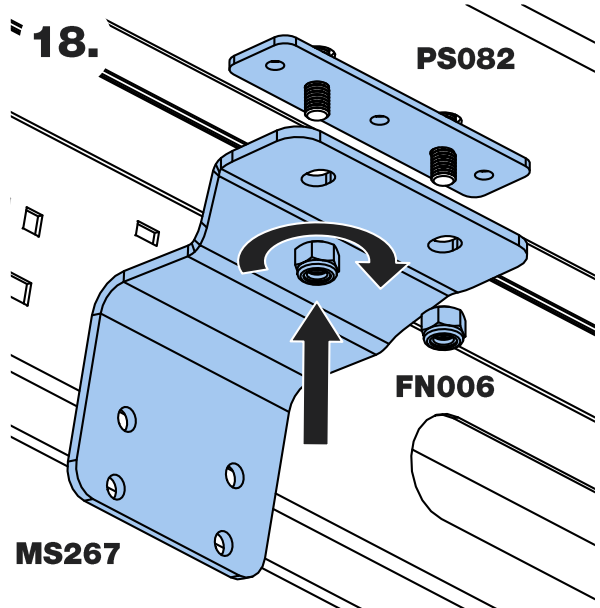


5.

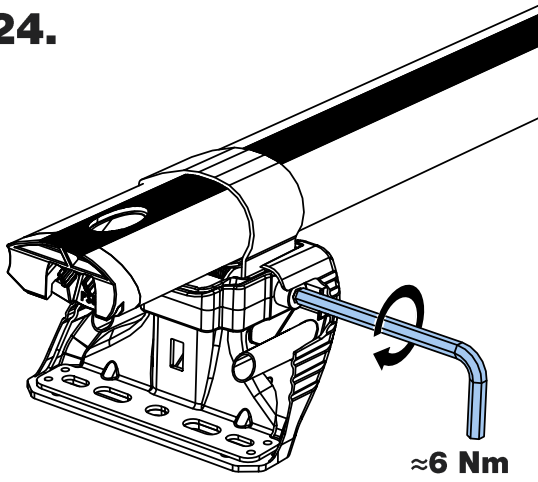




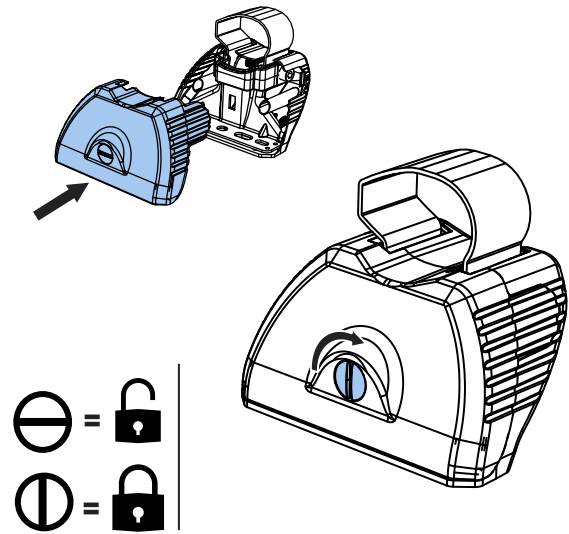




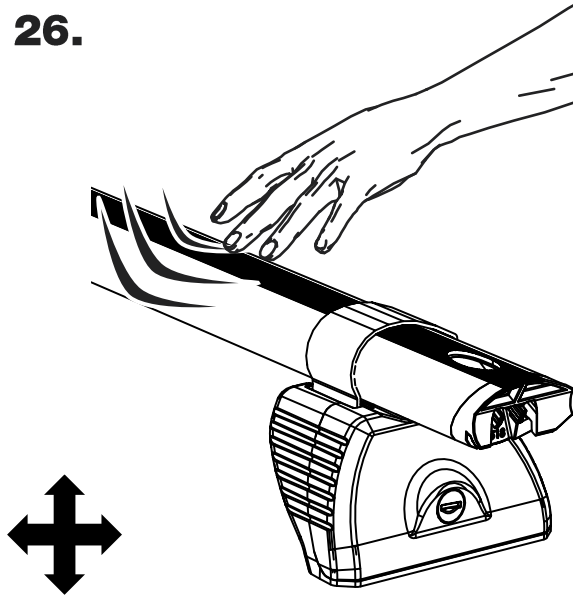
24.



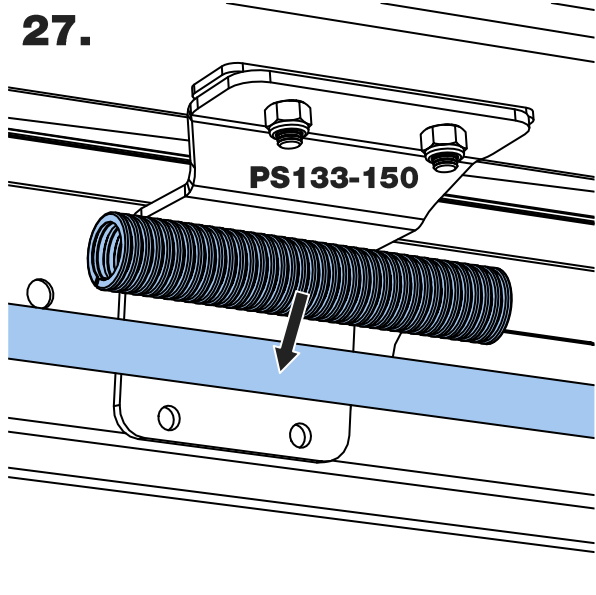
25.



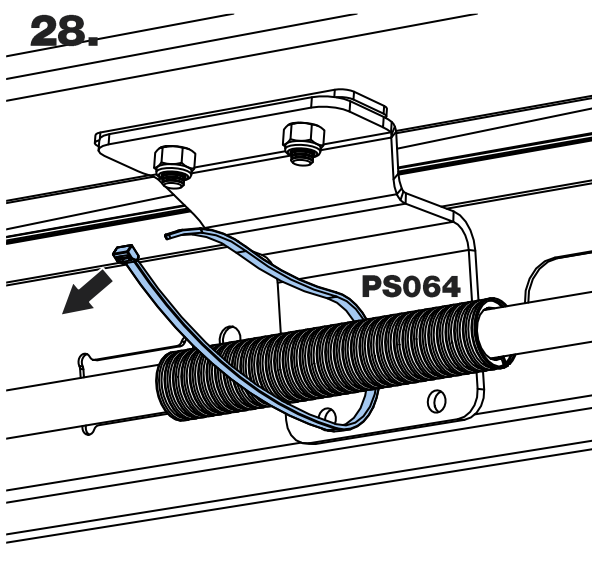
26.



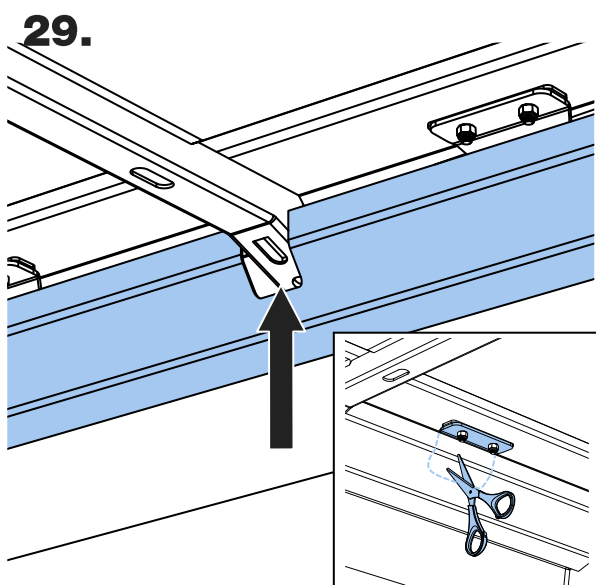
27.



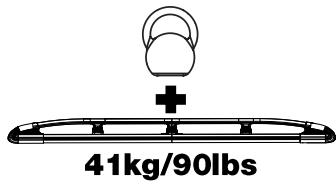
28.



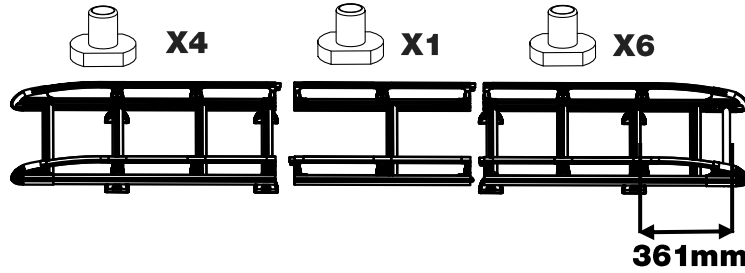
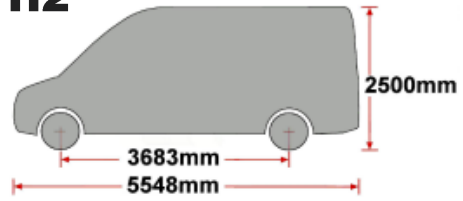
29.



K605/B605- Master/NV400 2010-/ Movano 2010-2020 L2, H2

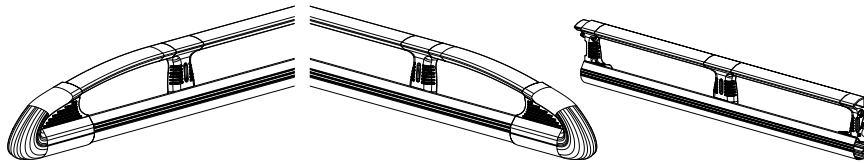


150kg Max

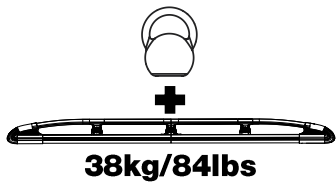


Pages 30-51, 68-77  

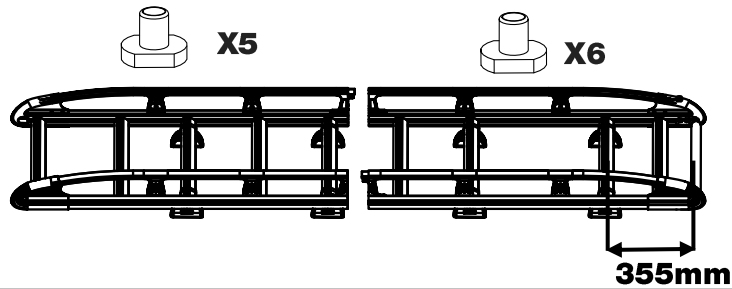
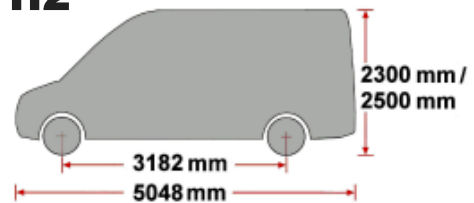
A



K604/B604- Master/NV400 2010-/ Movano 2010-2020 L1, H2

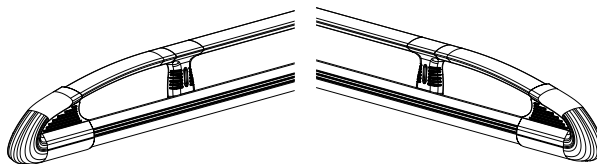


150kg Max

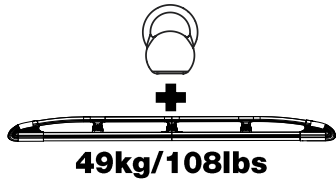


Page 52-77  

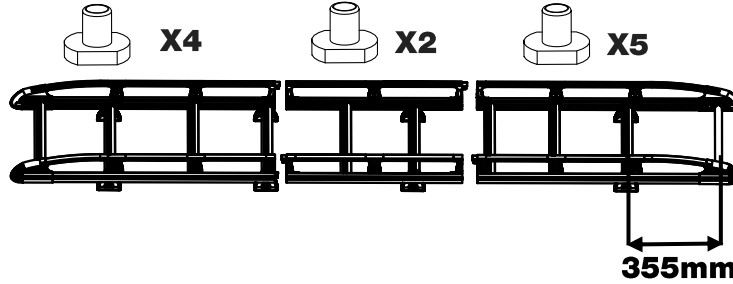
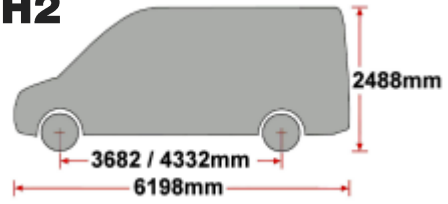
B



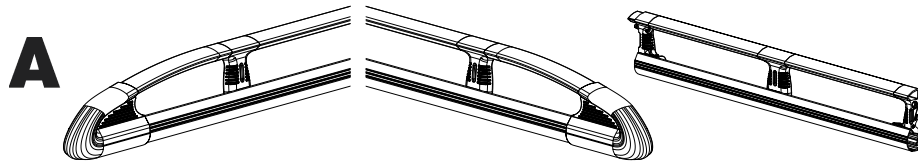
K606/B606- Master/NV400 2010- / Movano 2010-2020 L3, H2



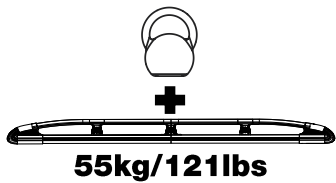
150kg Max



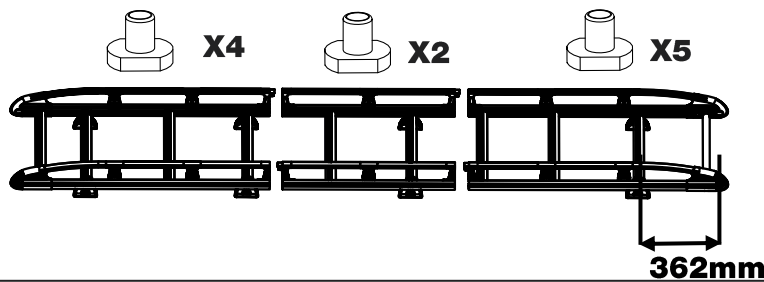
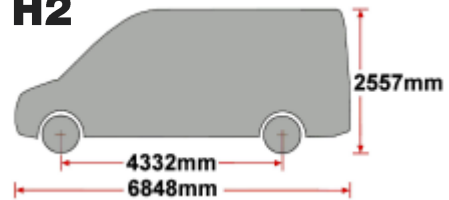
Pages 30-51, 68-77



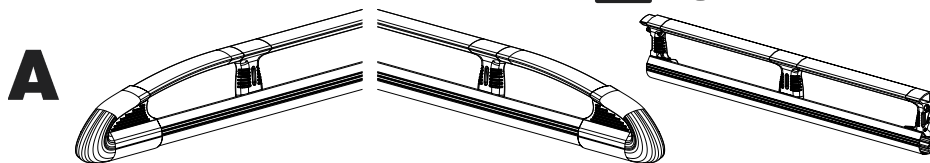
K607/B607- Master/NV400 2010- / Movano 2010-2020 L4, H2



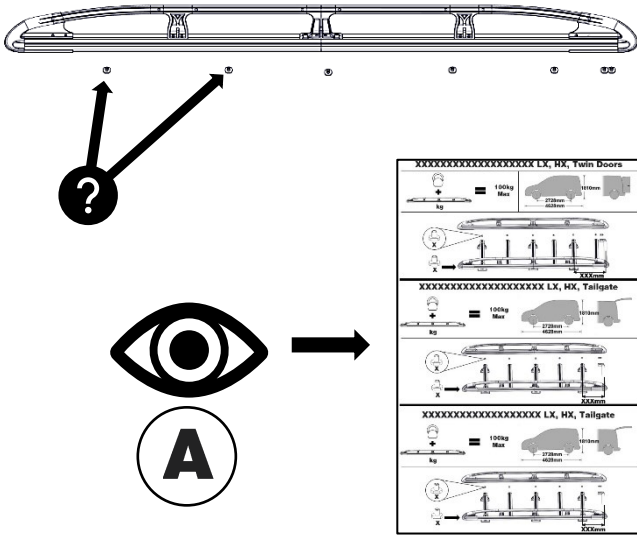
150kg Max



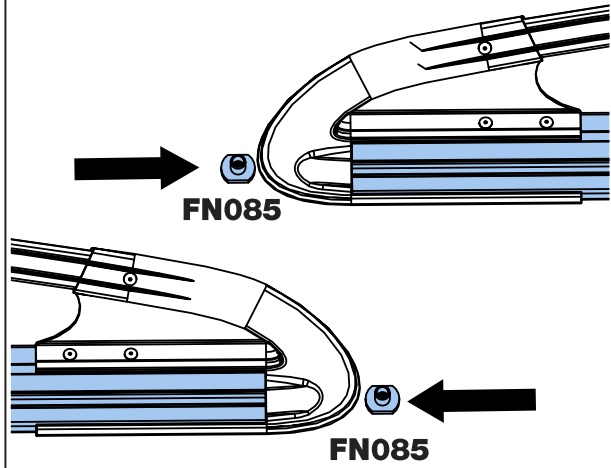
Pages 30-51, 68-77



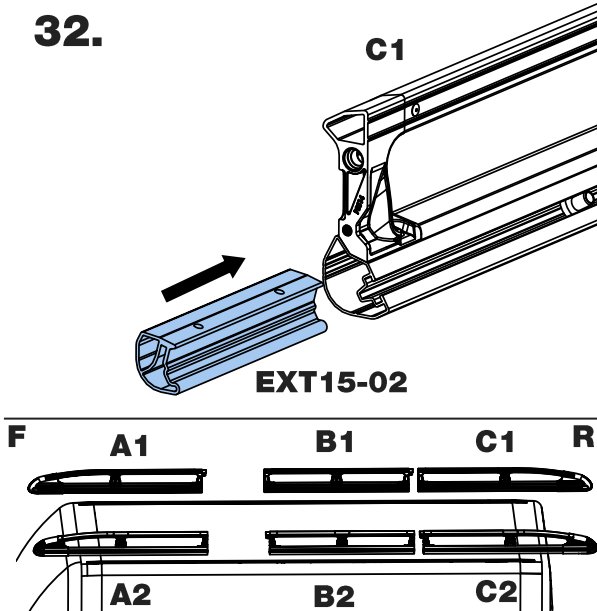
30.



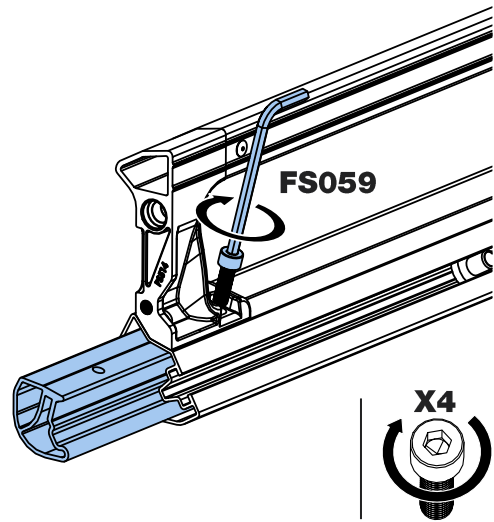
31.



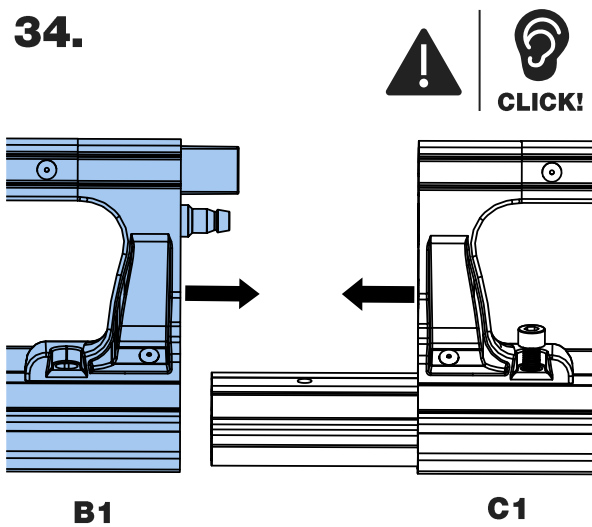
32.



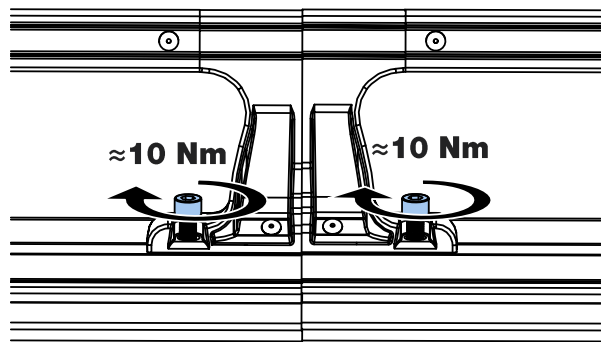
33.



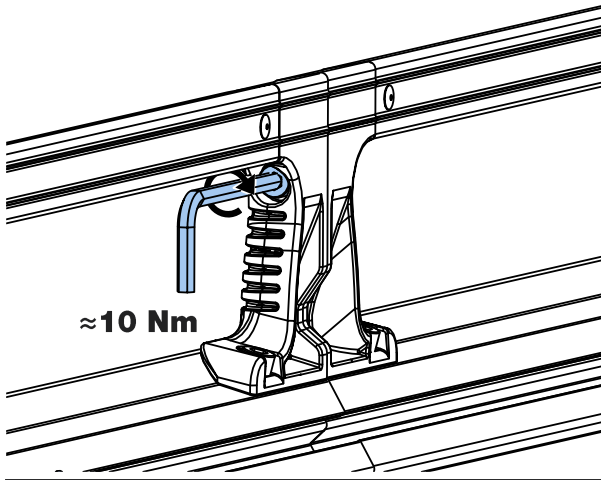
34.



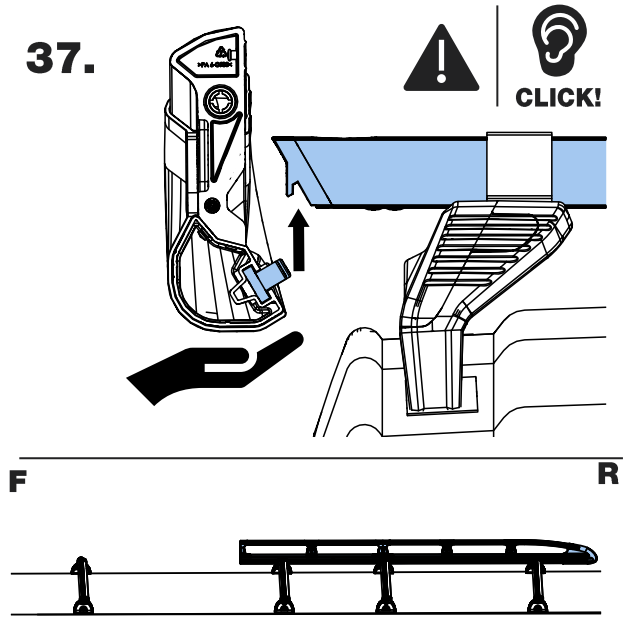
35.



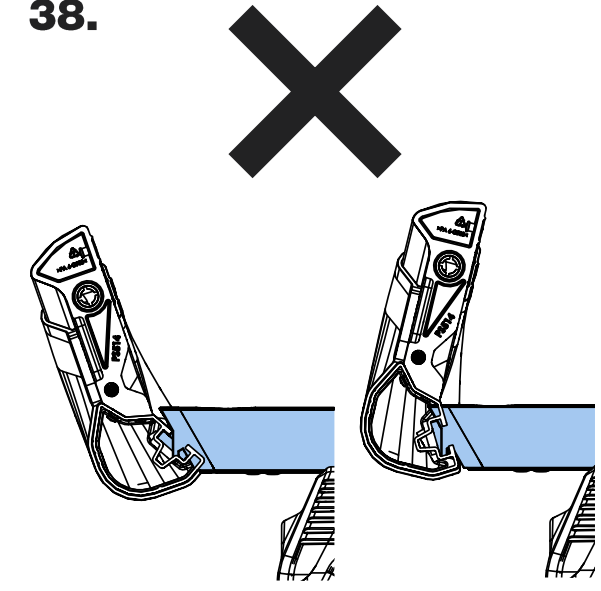
36.



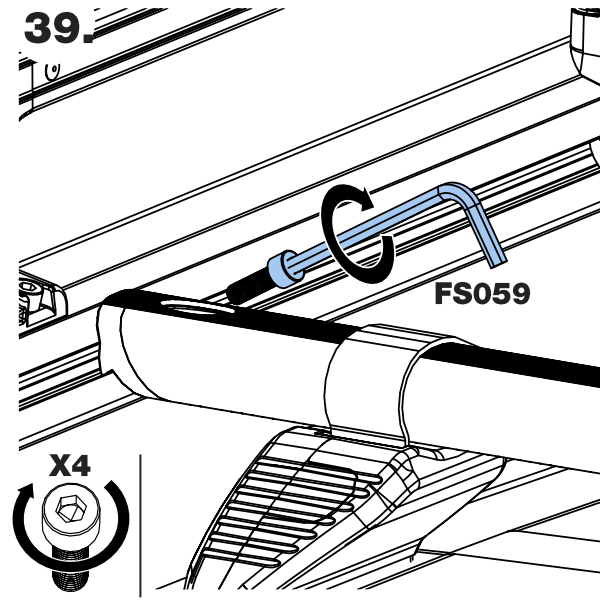
37.



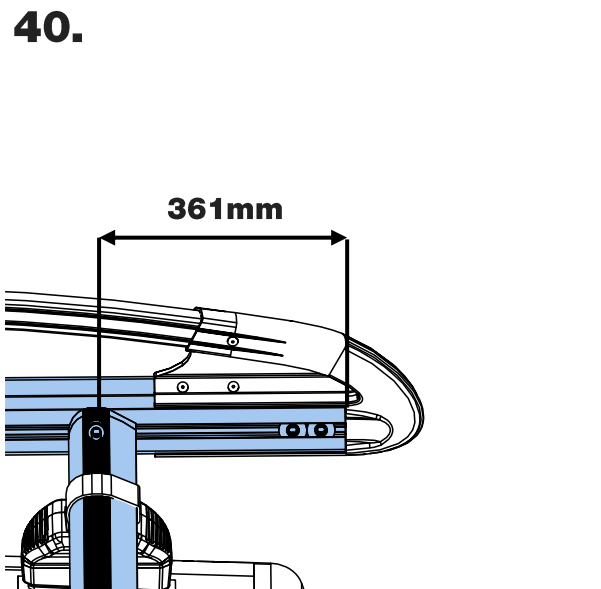
38.



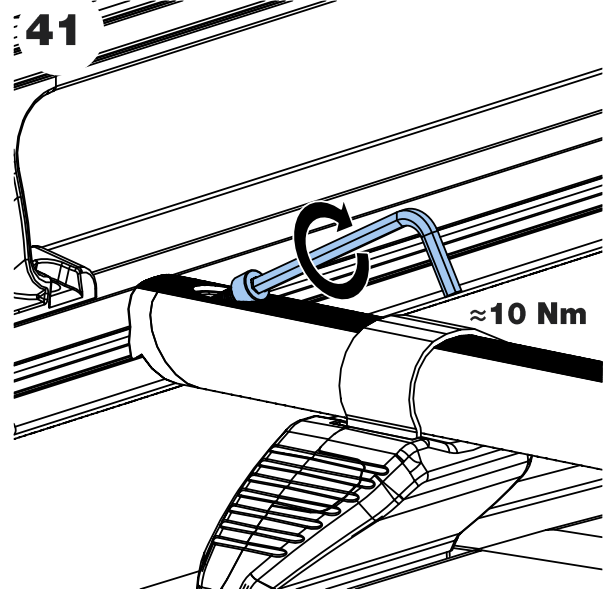
39.



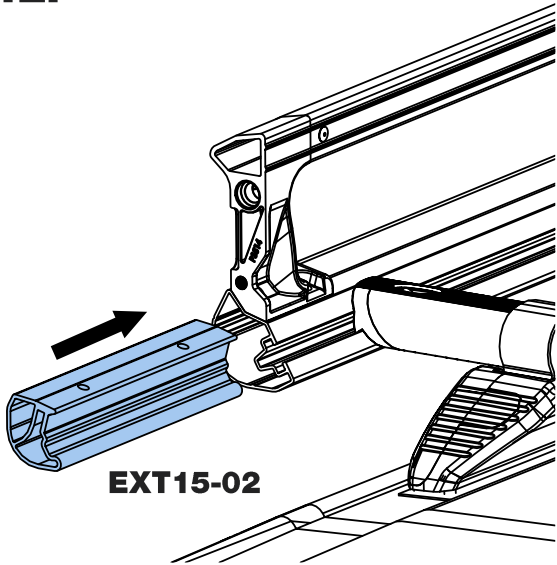
40.



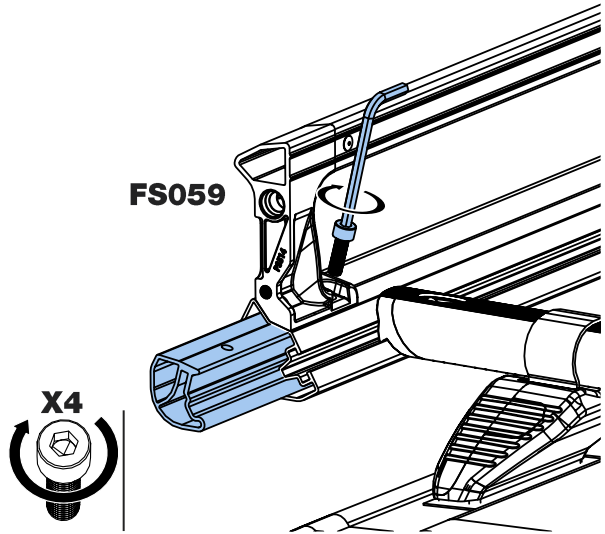
41.



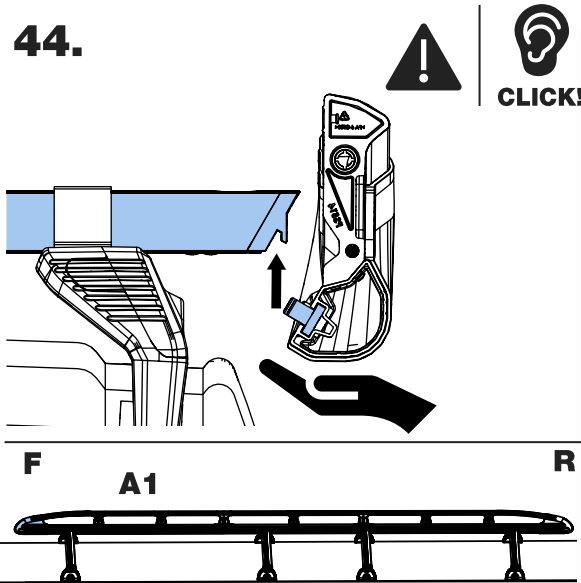
42.



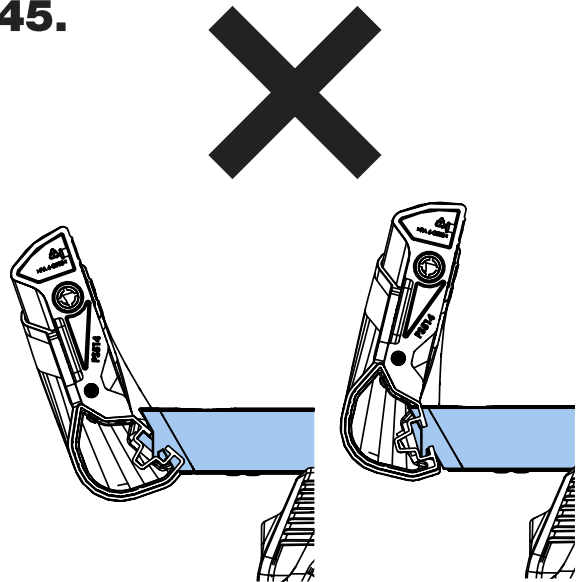
43.



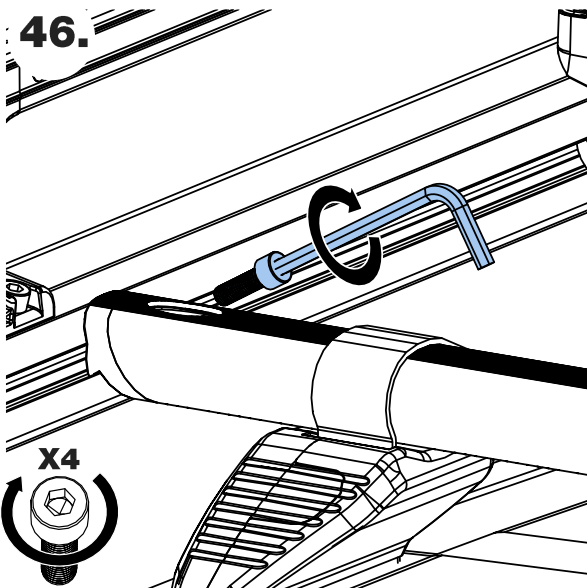
44.



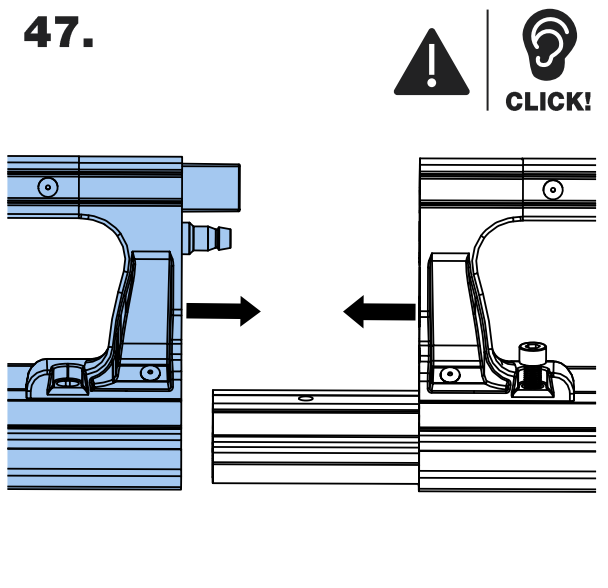
45.



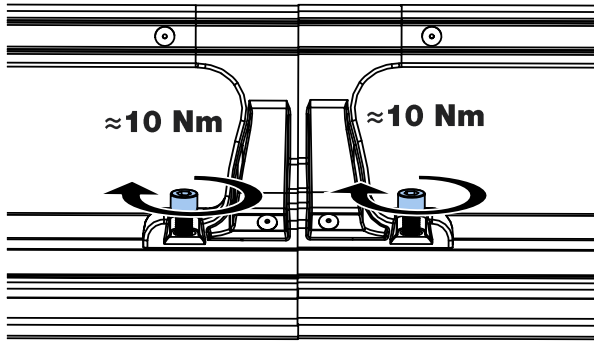
46.



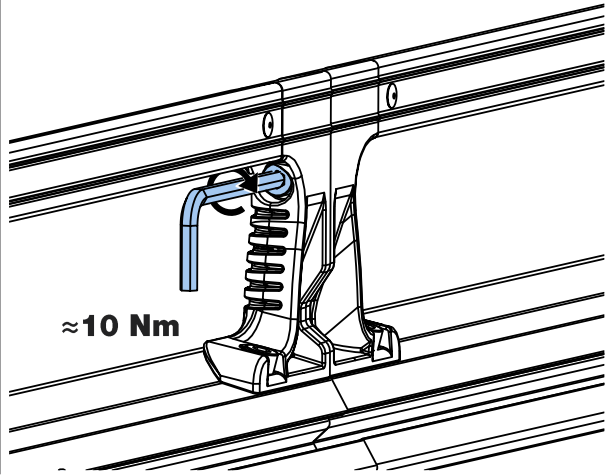
47.



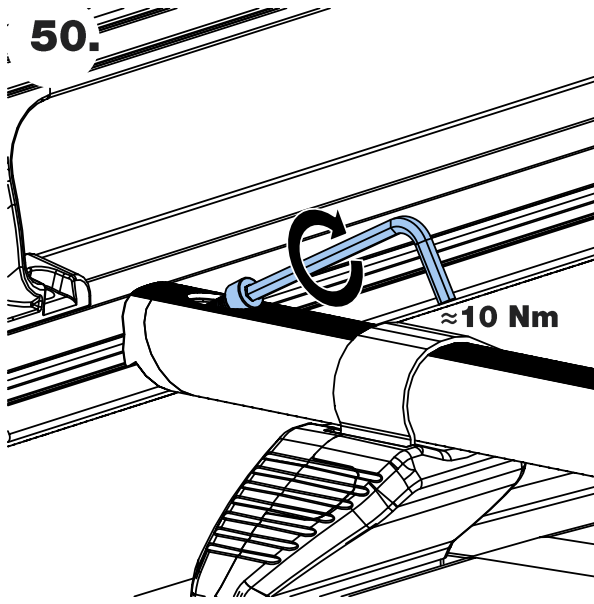
48.



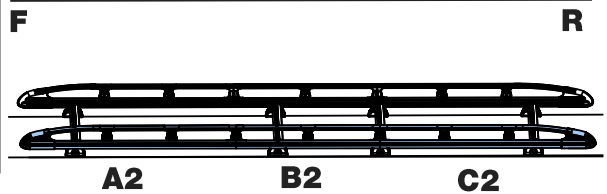
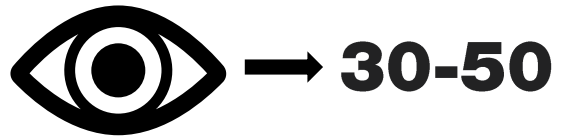
49.



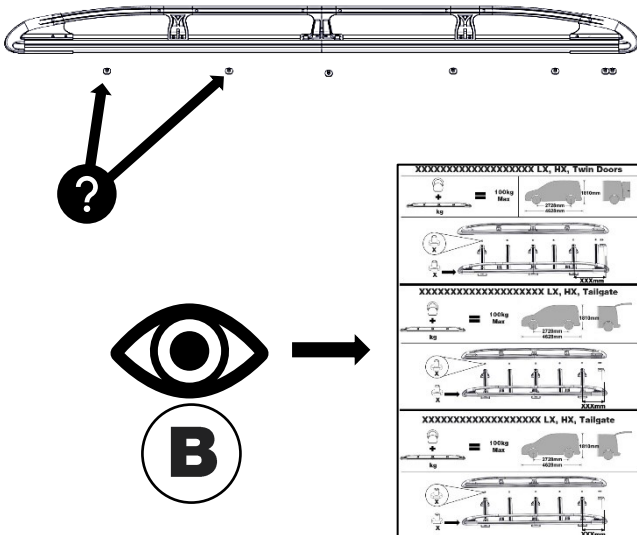
50.



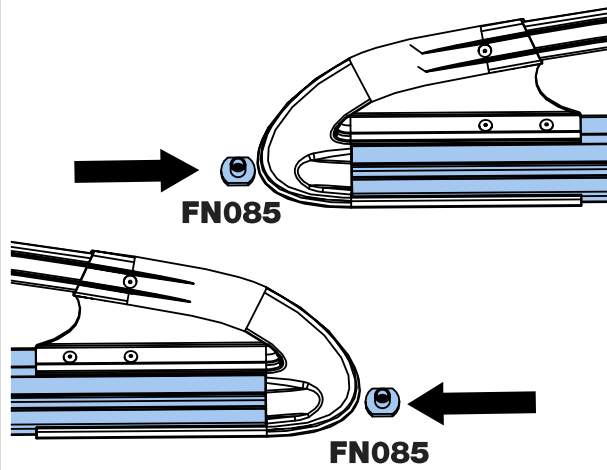
51.

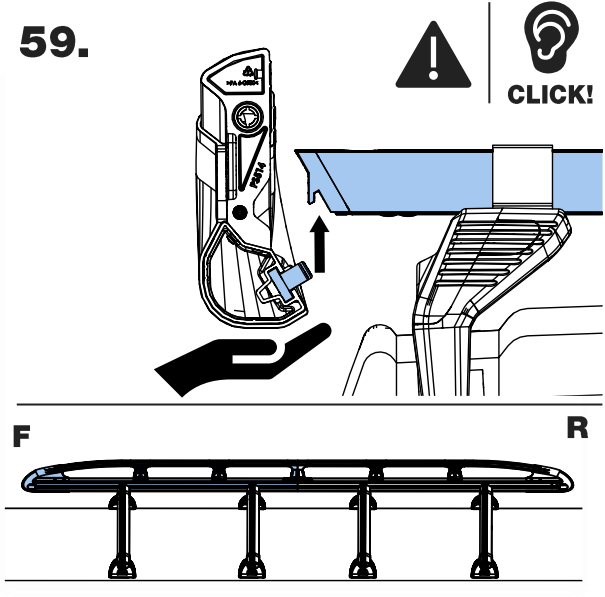
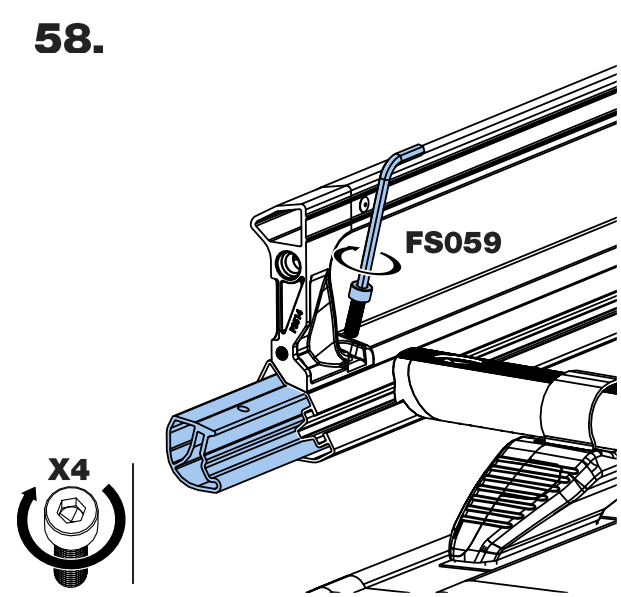
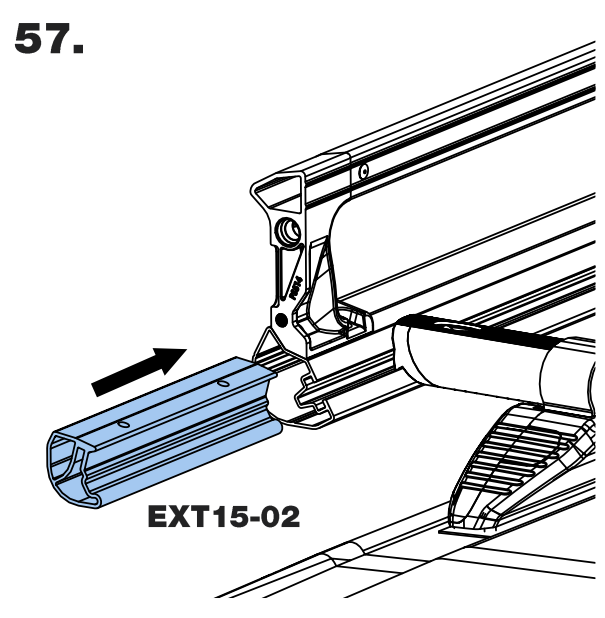
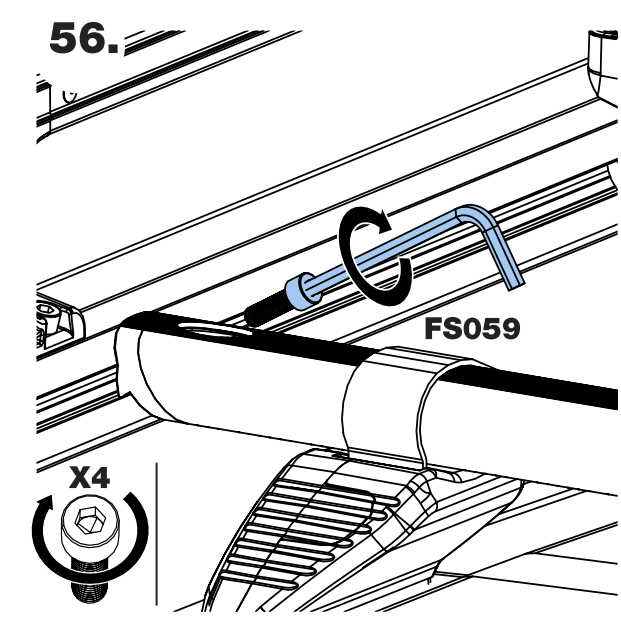
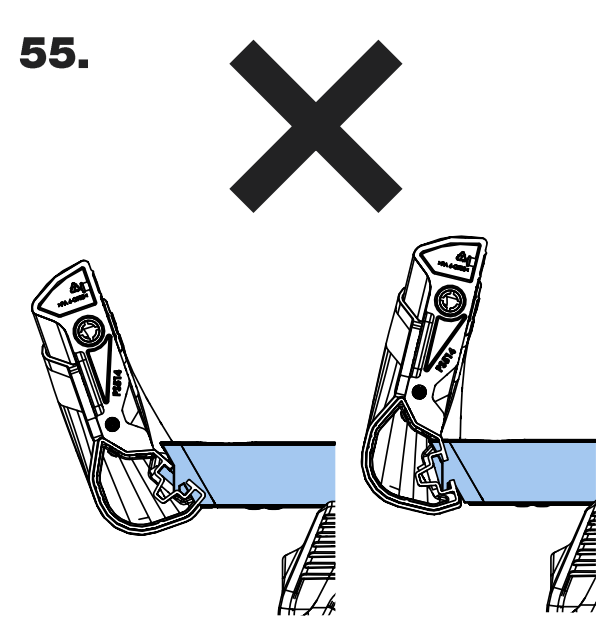
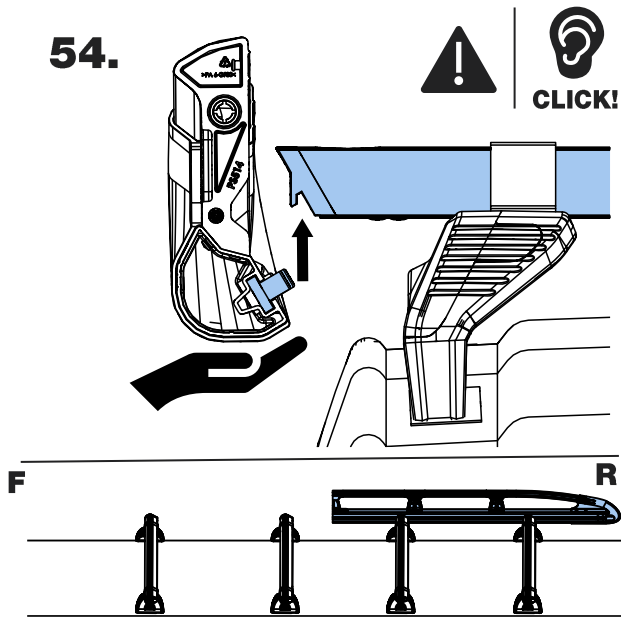


52.

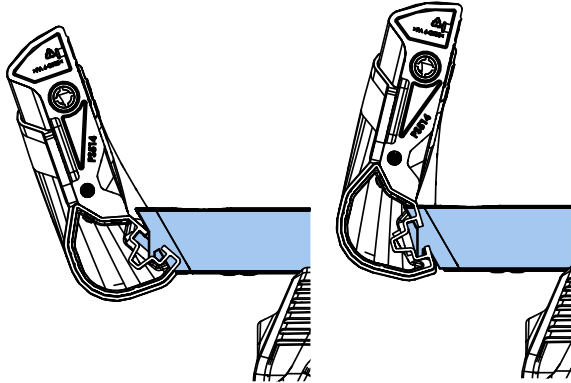


53.

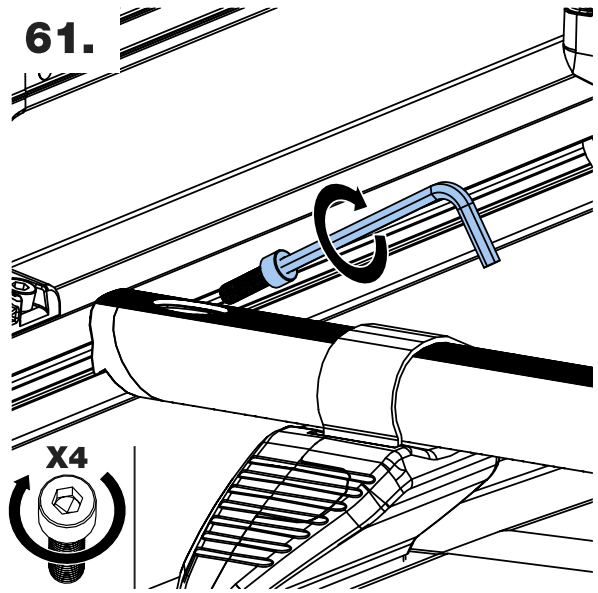




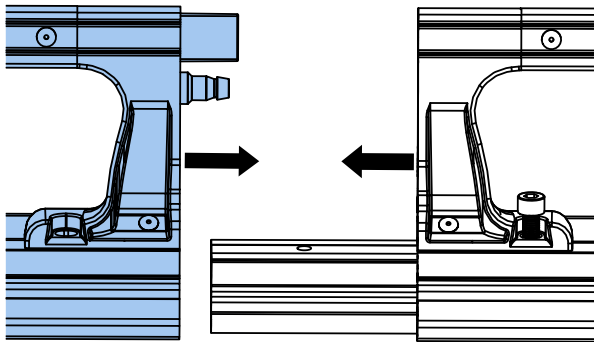
60.



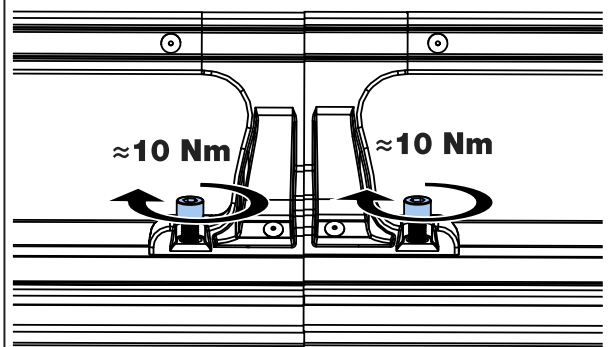
61.



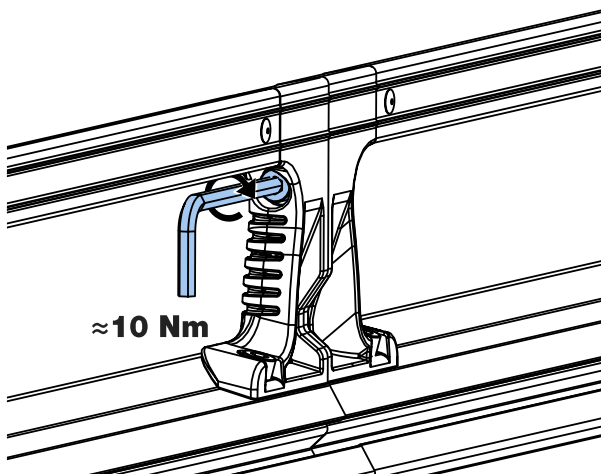
62.



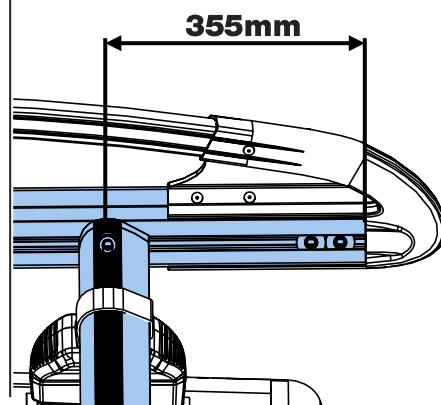
63.

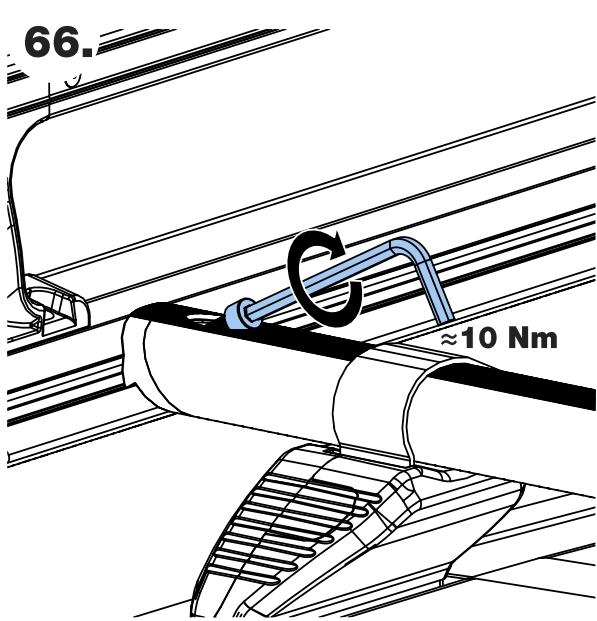


64.

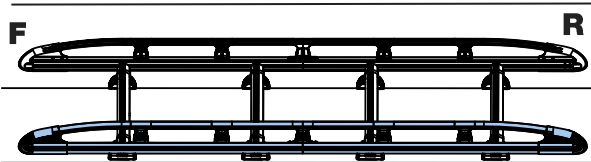
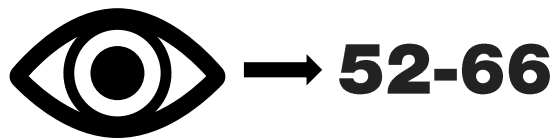


65.

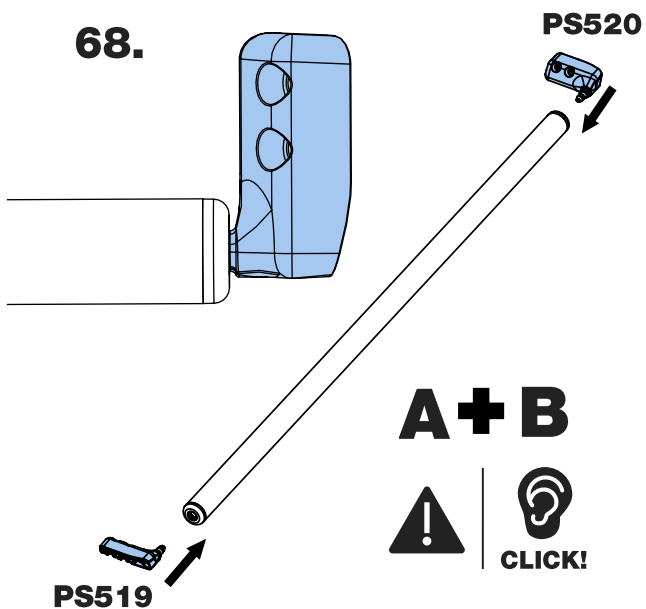




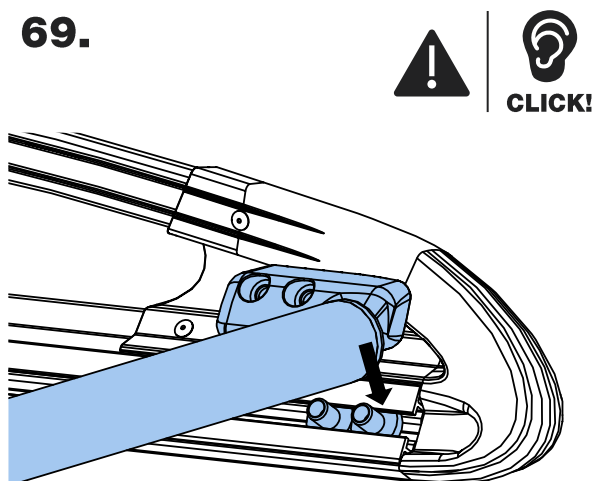
67.



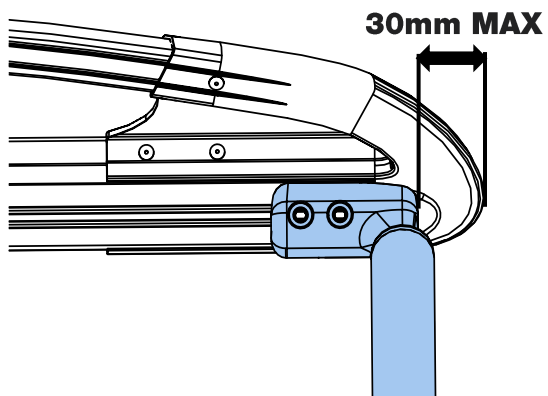
68.



69.



70.



71.

