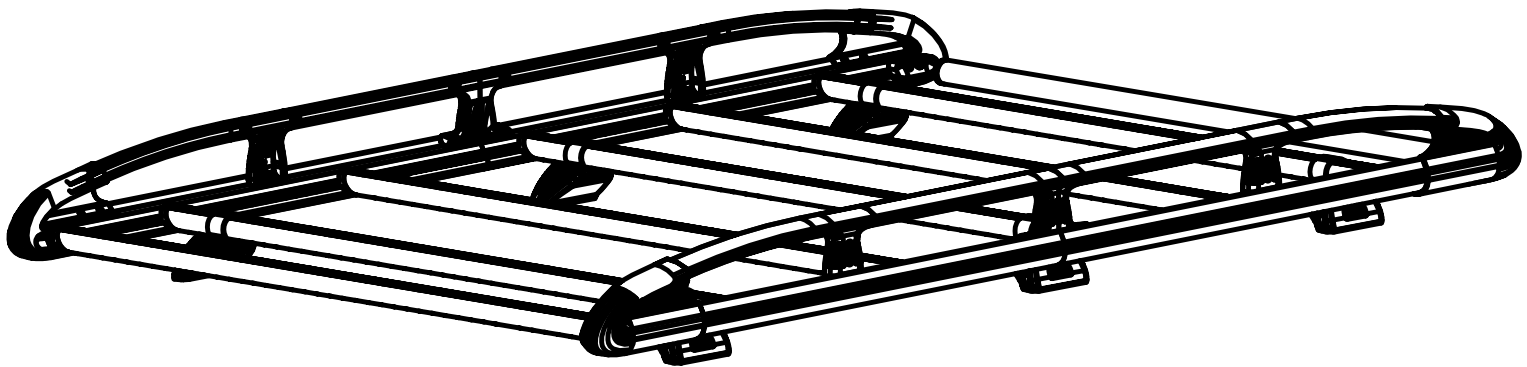


TC3KR

KammRack

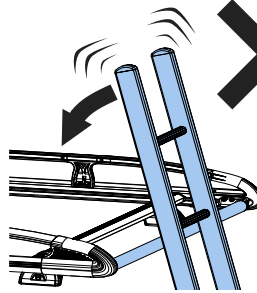
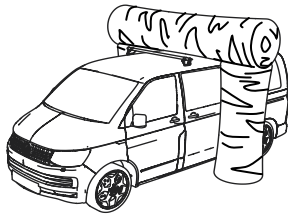
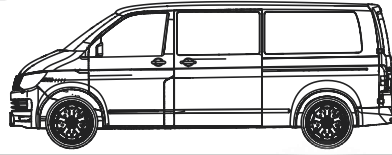
Instructions



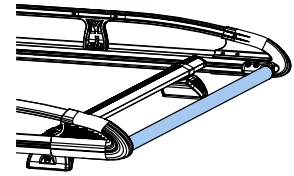
CITY CRASH (✓)

According to ISO/ PAS 11154:2006

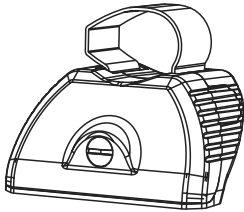
TC3KR:
Ford Transit 2014-



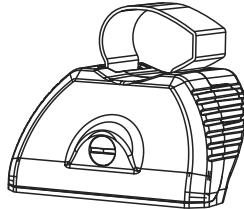
Max
50kg/110lbs



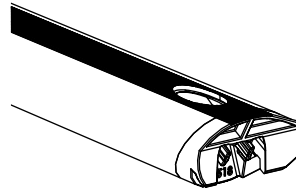
KammRack



SA397U x 3



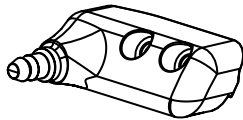
SA398U x 3



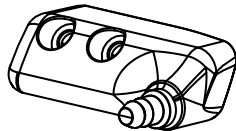
SA430/S
A468



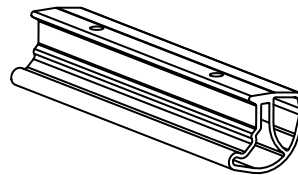
C04 x 6
optional upgrade



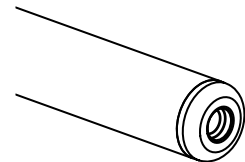
PS519 x 1



PS520 x 1



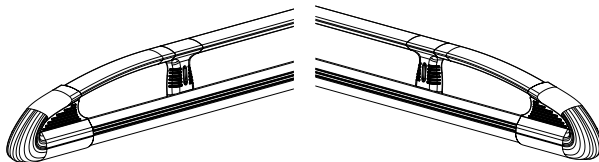
EXT15-02



SA438 x 1

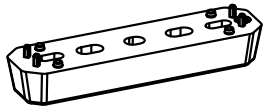
LHS x 2

RHS x 2

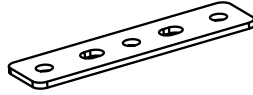


ASF x 1

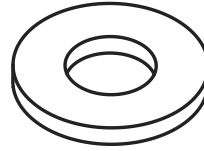
Fitting Kit



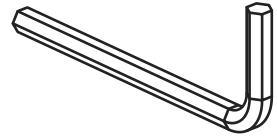
PS183 x 6



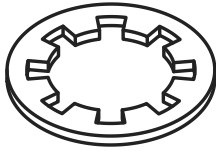
PS023 x 6



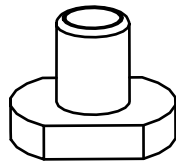
FW002 (M8) x 6



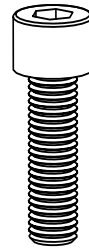
FT01 x 1



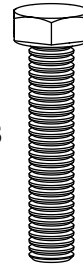
FW009 (M8) x 6



FN085 x 20



FS059 (M8
x 25) x 20

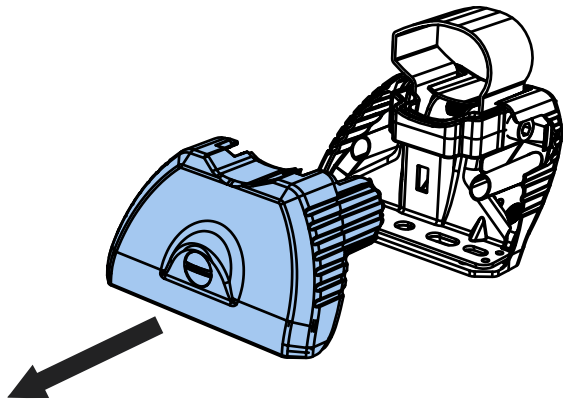


FS081
(M8 x 50) x 6

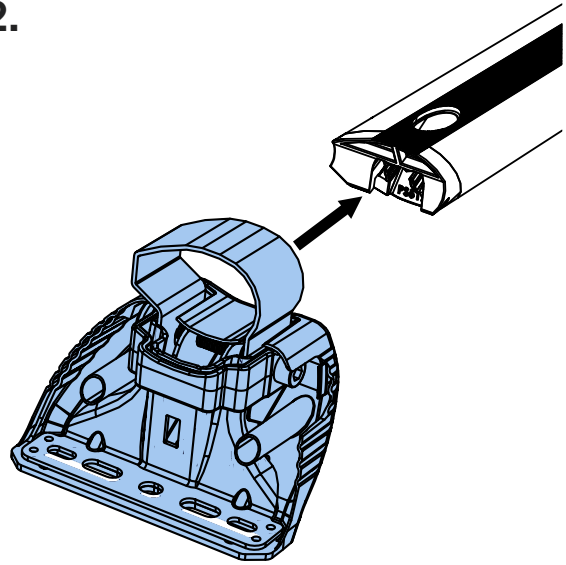


FT05 x 1

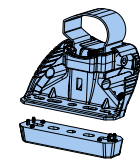
1.



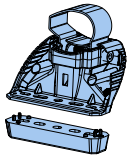
2.



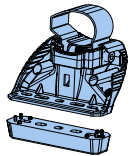
3.



SA397U
PS183

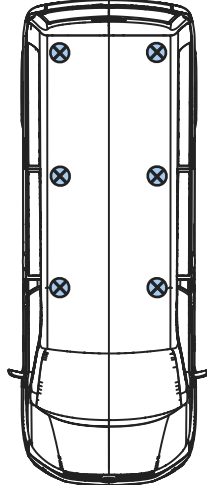


SA397U
PS183



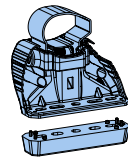
SA397U
PS183

R

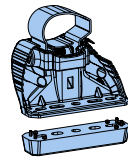


F

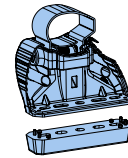
SA398U
PS183



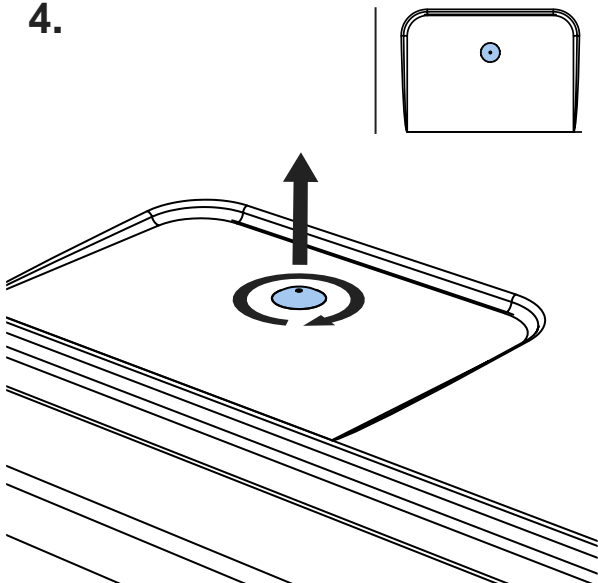
SA398U
PS183



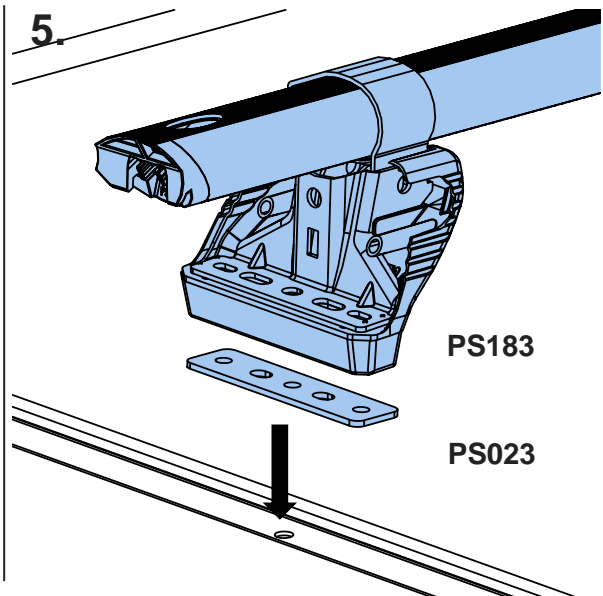
SA398U
PS183



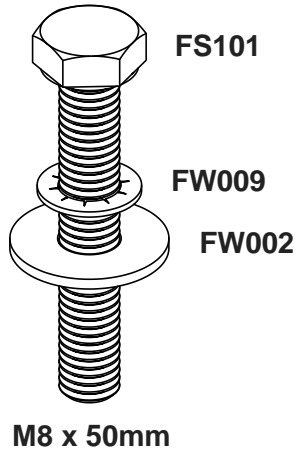
4.



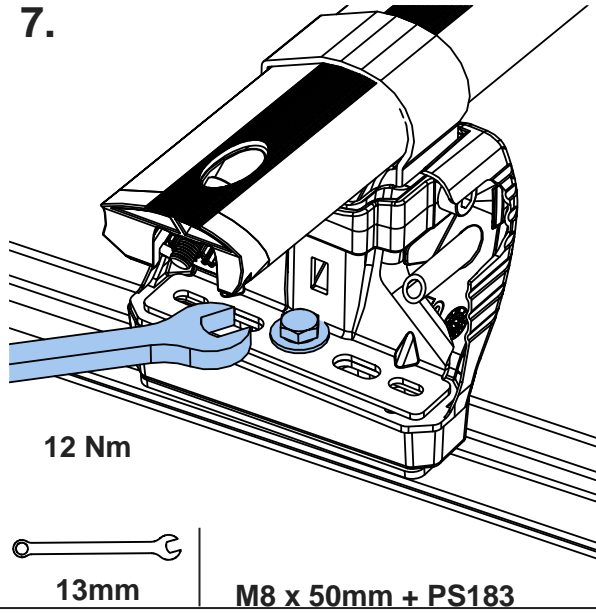
5.



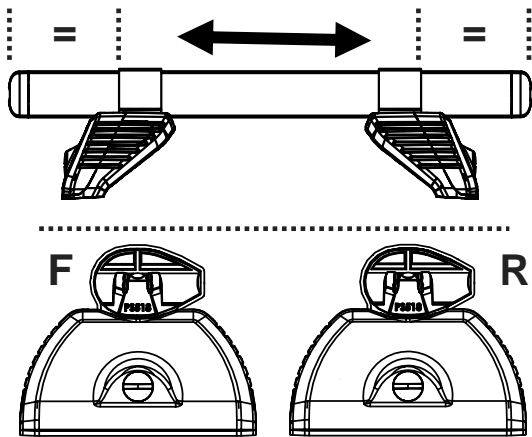
6.



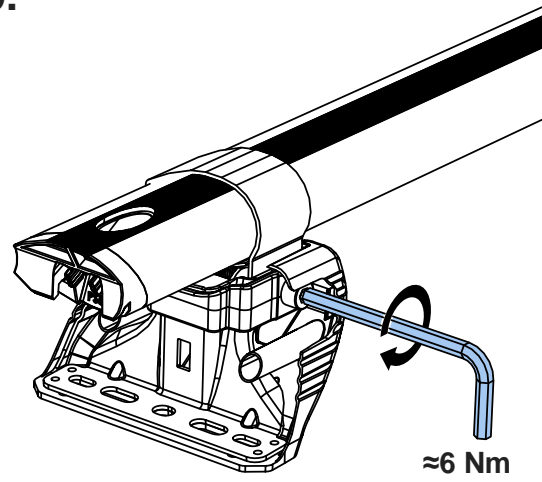
7.



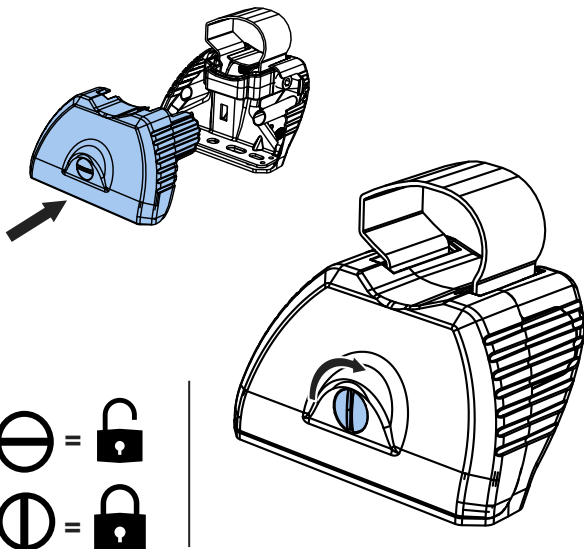
8.



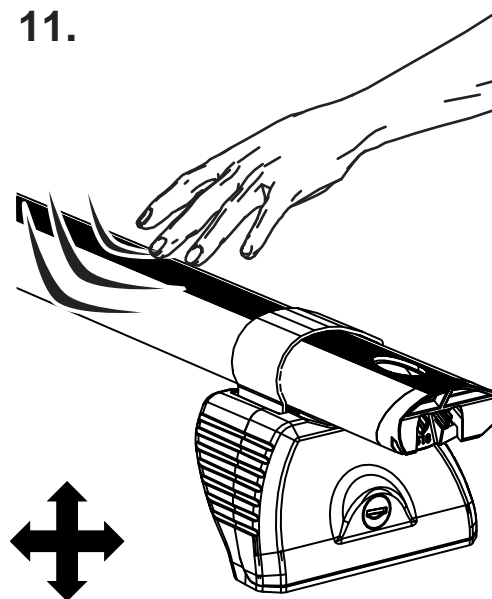
9.



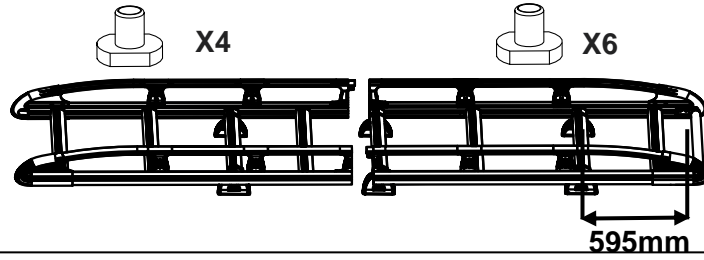
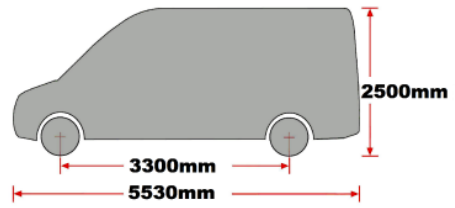
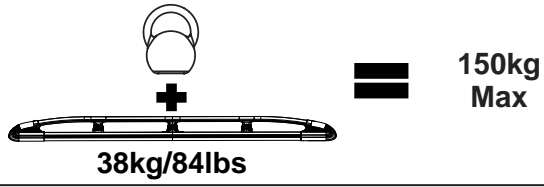
10.



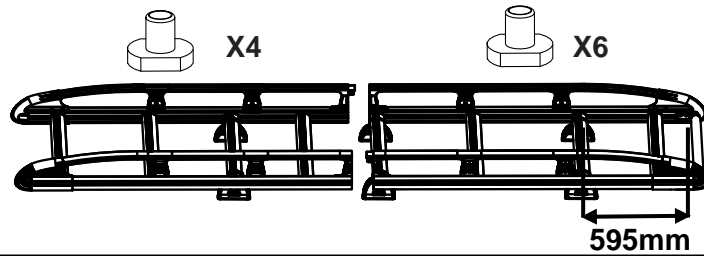
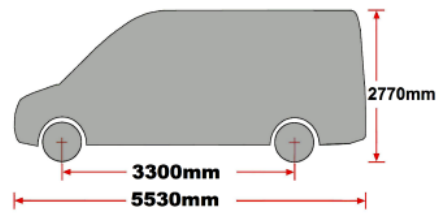
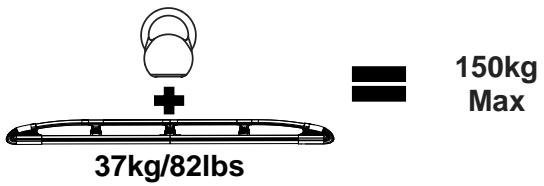
11.



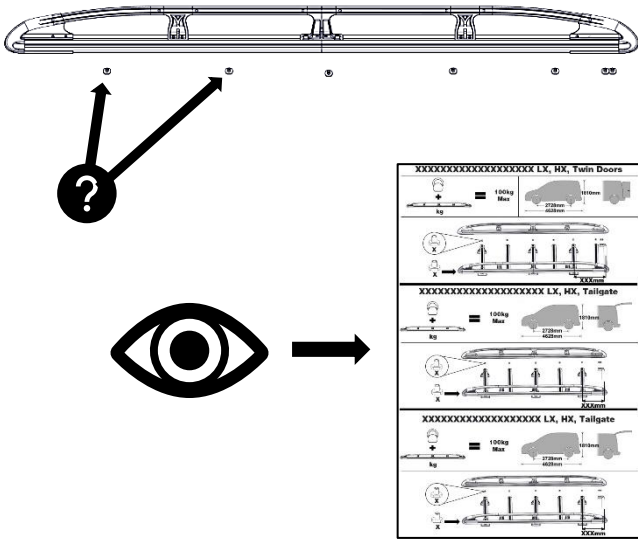
K625/B625- Transit 2014- L2, H2, Twin Doors



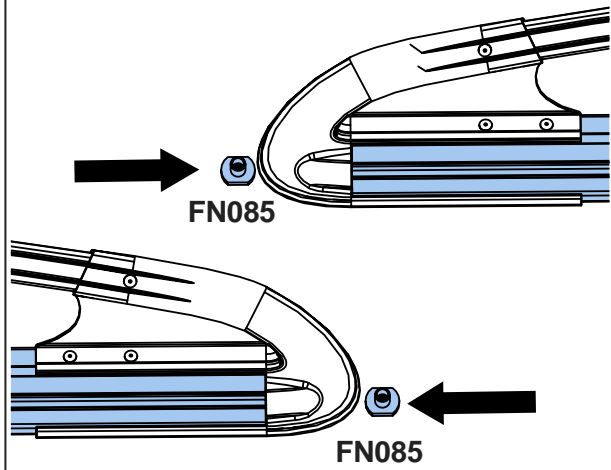
K649/B649- Transit 2014- L2, H3, Twin Doors



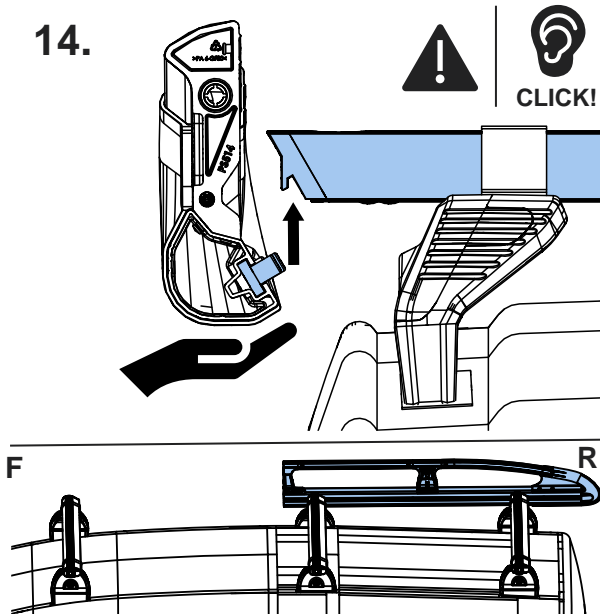
12.



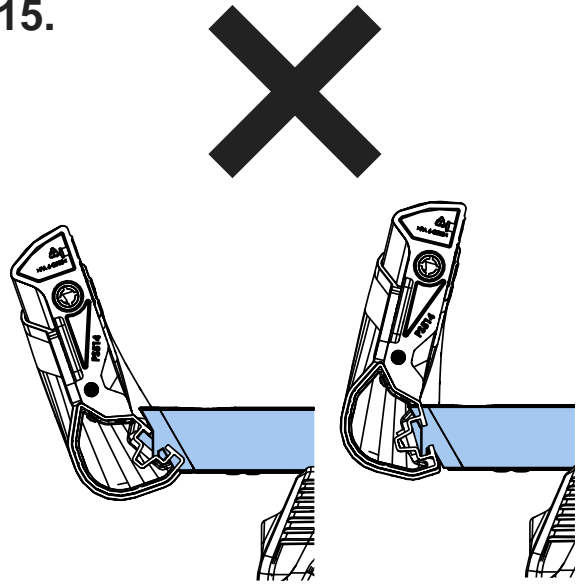
13.



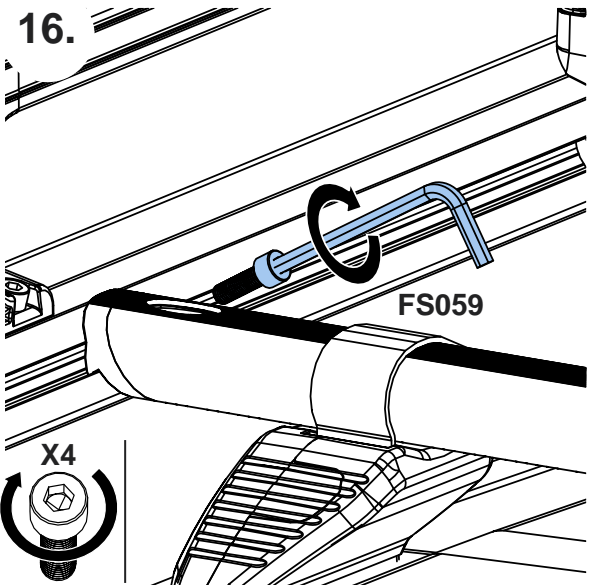
14.



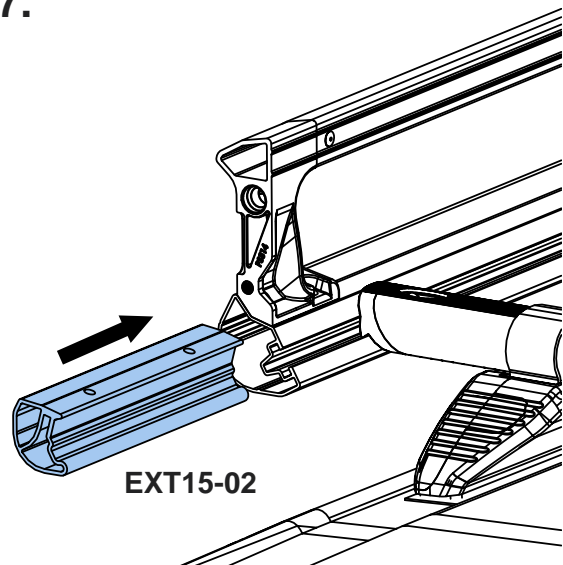
15.



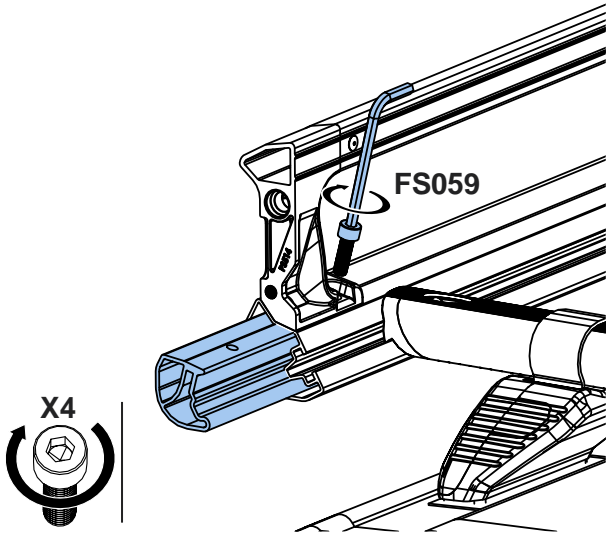
16.



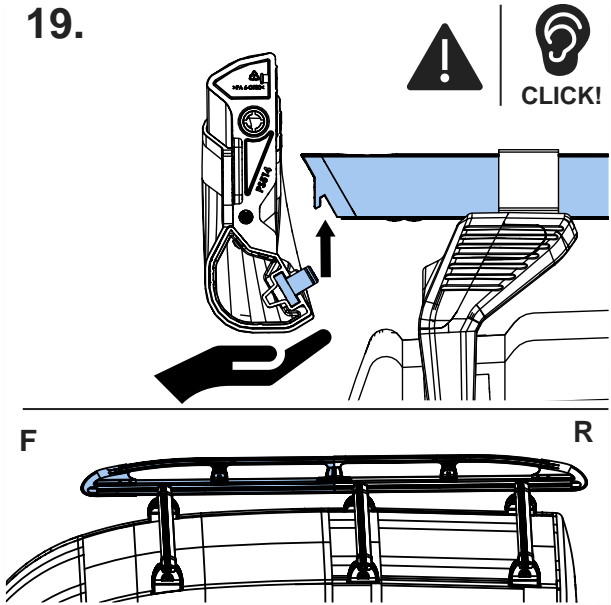
17.



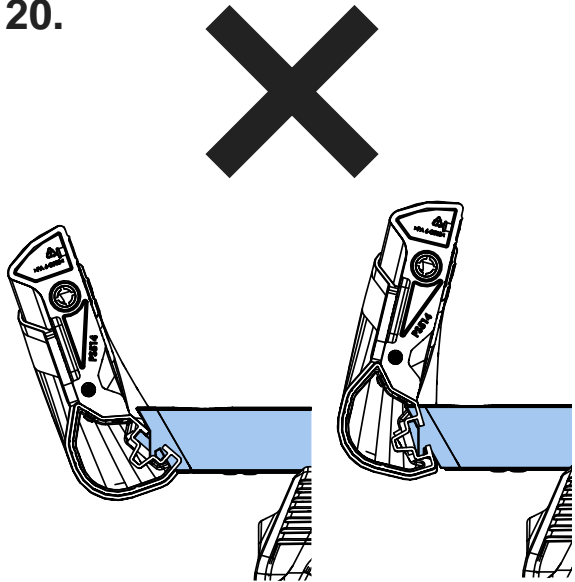
18.



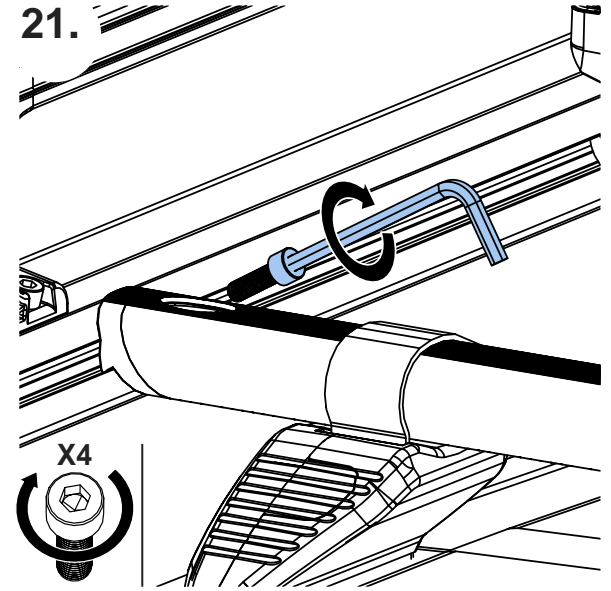
19.



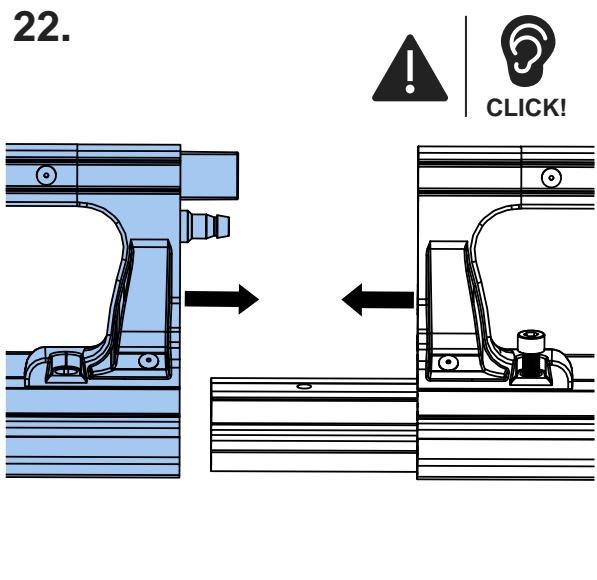
20.



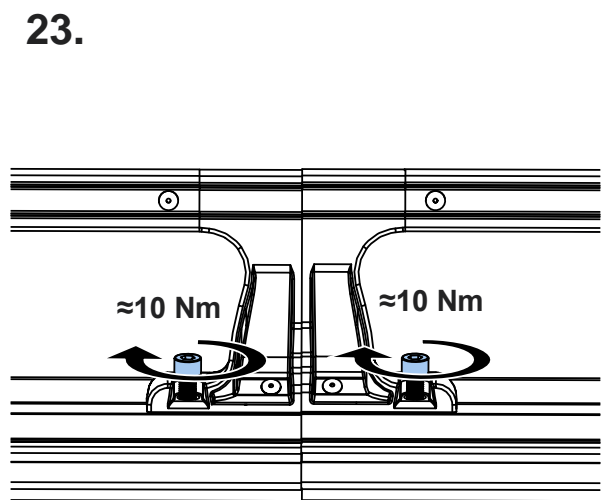
21.



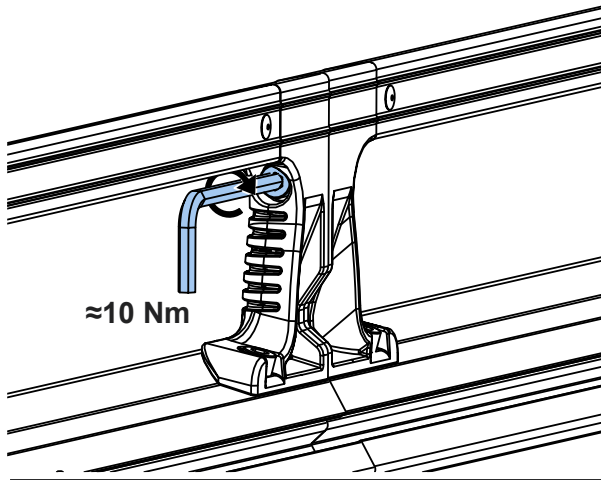
22.



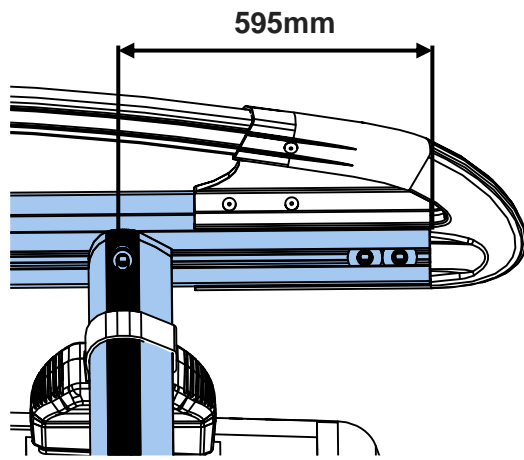
23.



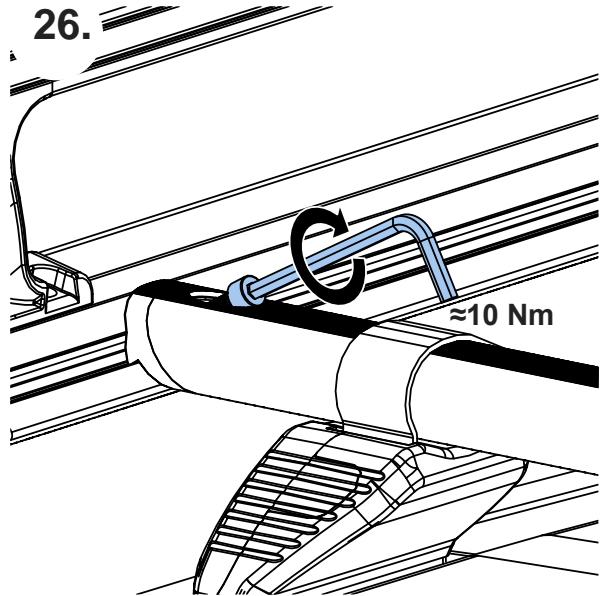
24.



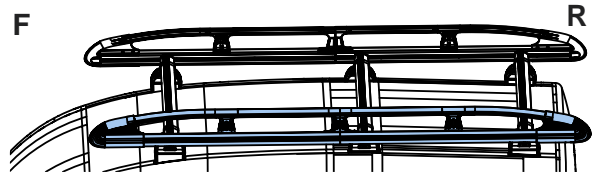
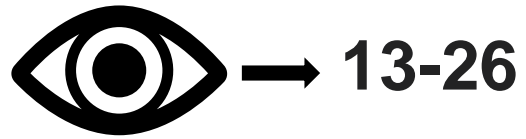
25.



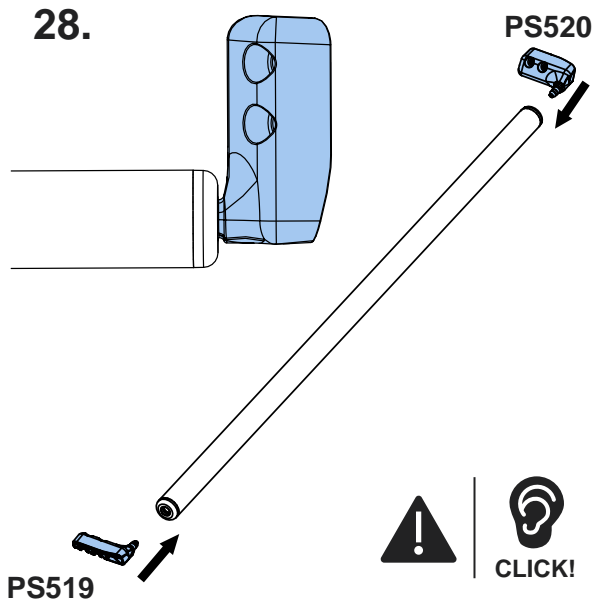
26.



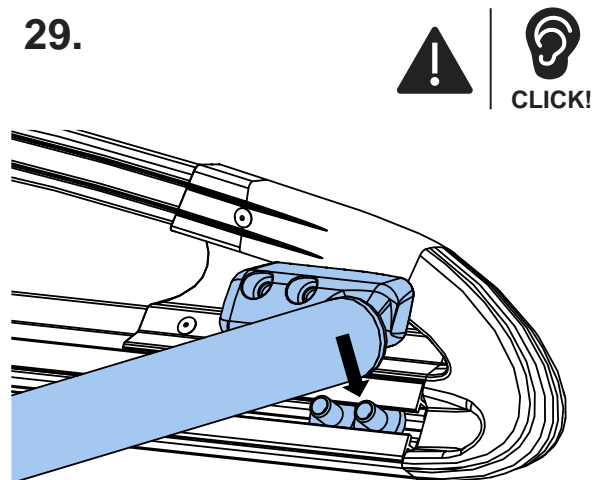
27.



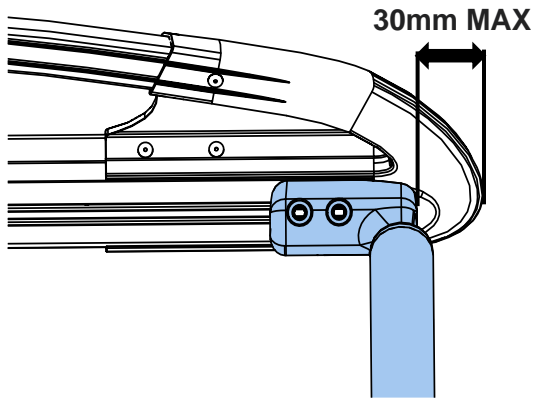
28.



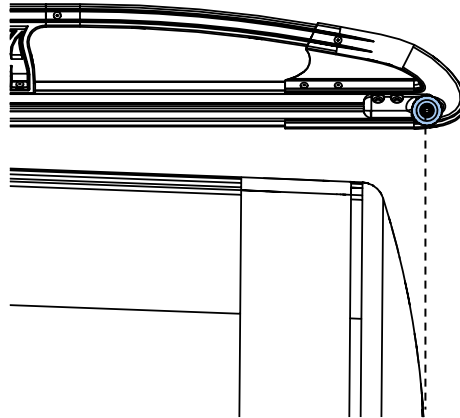
29.



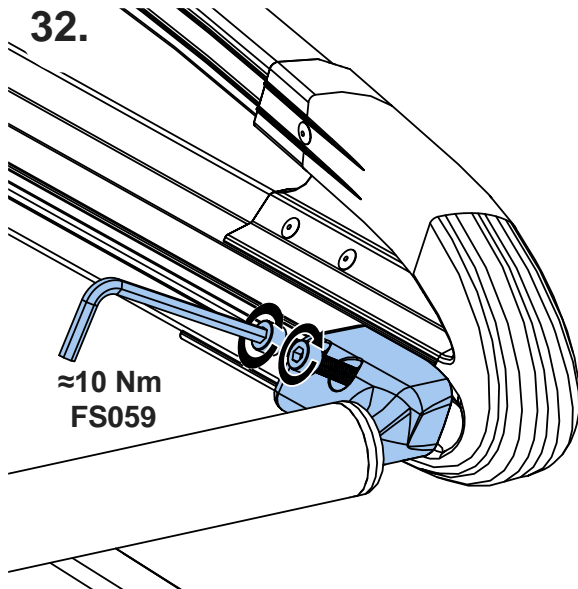
30.



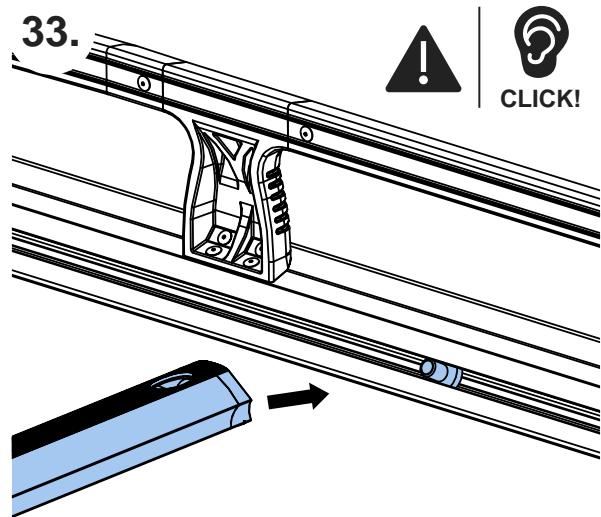
31.



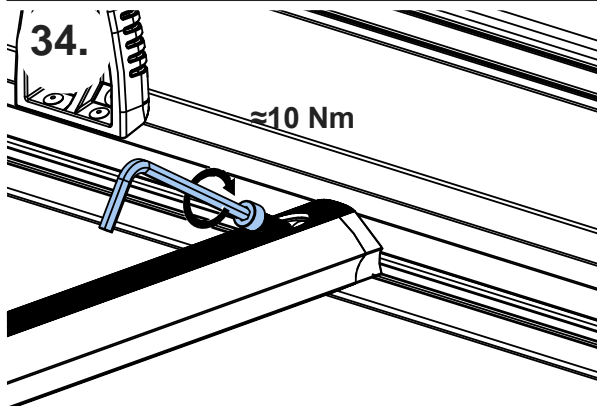
32.



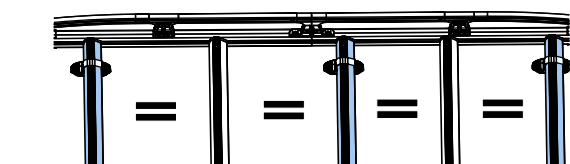
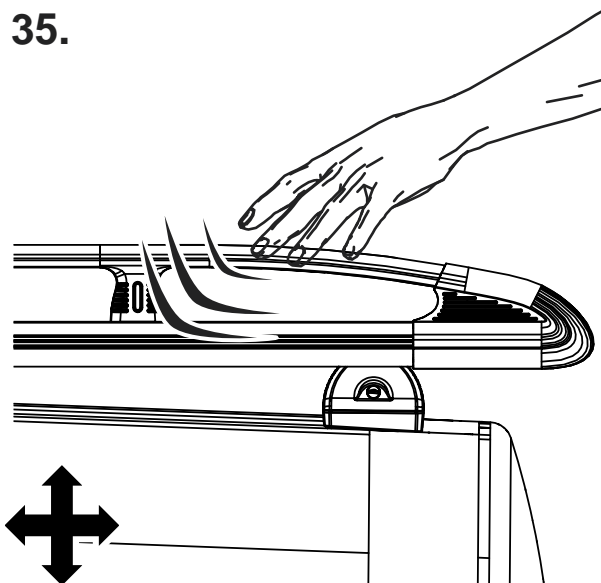
33.



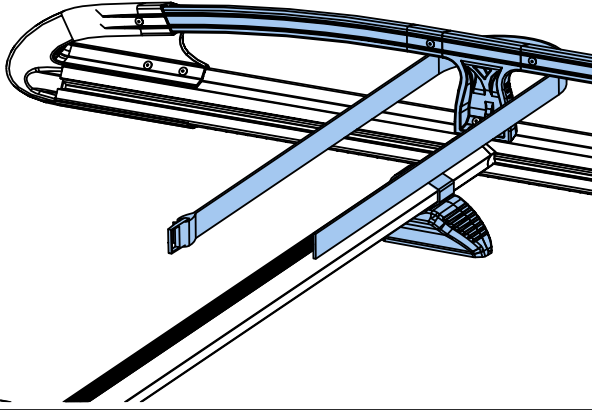
34.



35.



36.



37.

