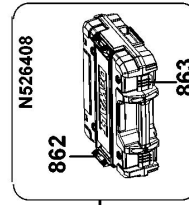
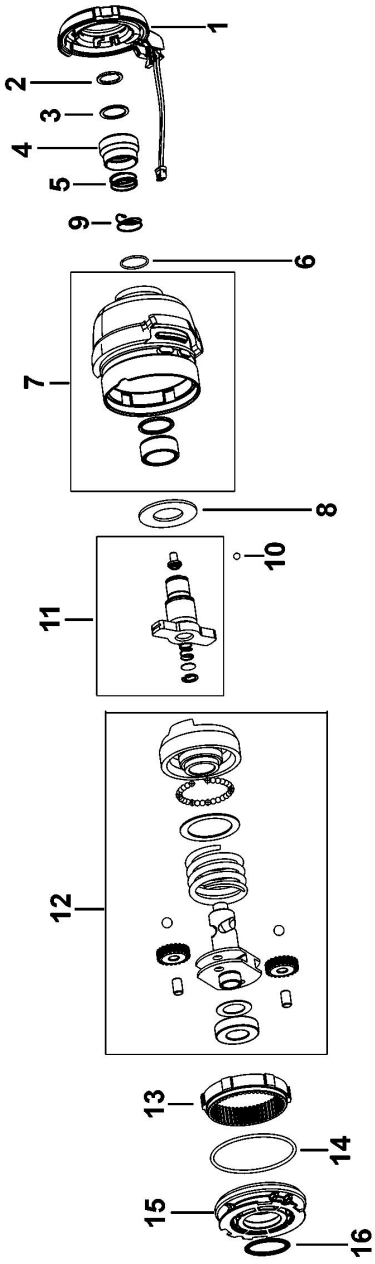
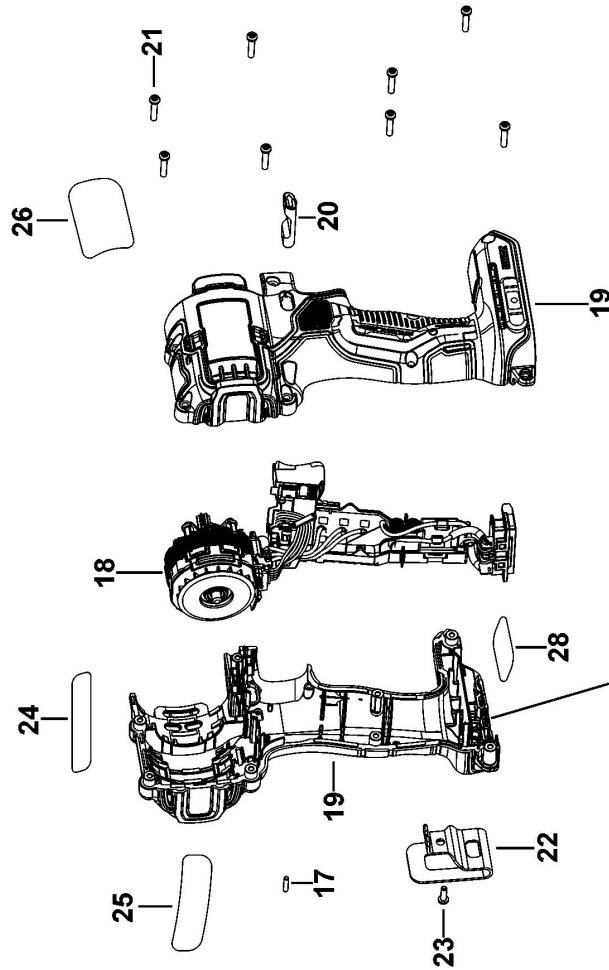


# DCF809D2T SOFER DE IMPACT 2



©



DATE CODE