

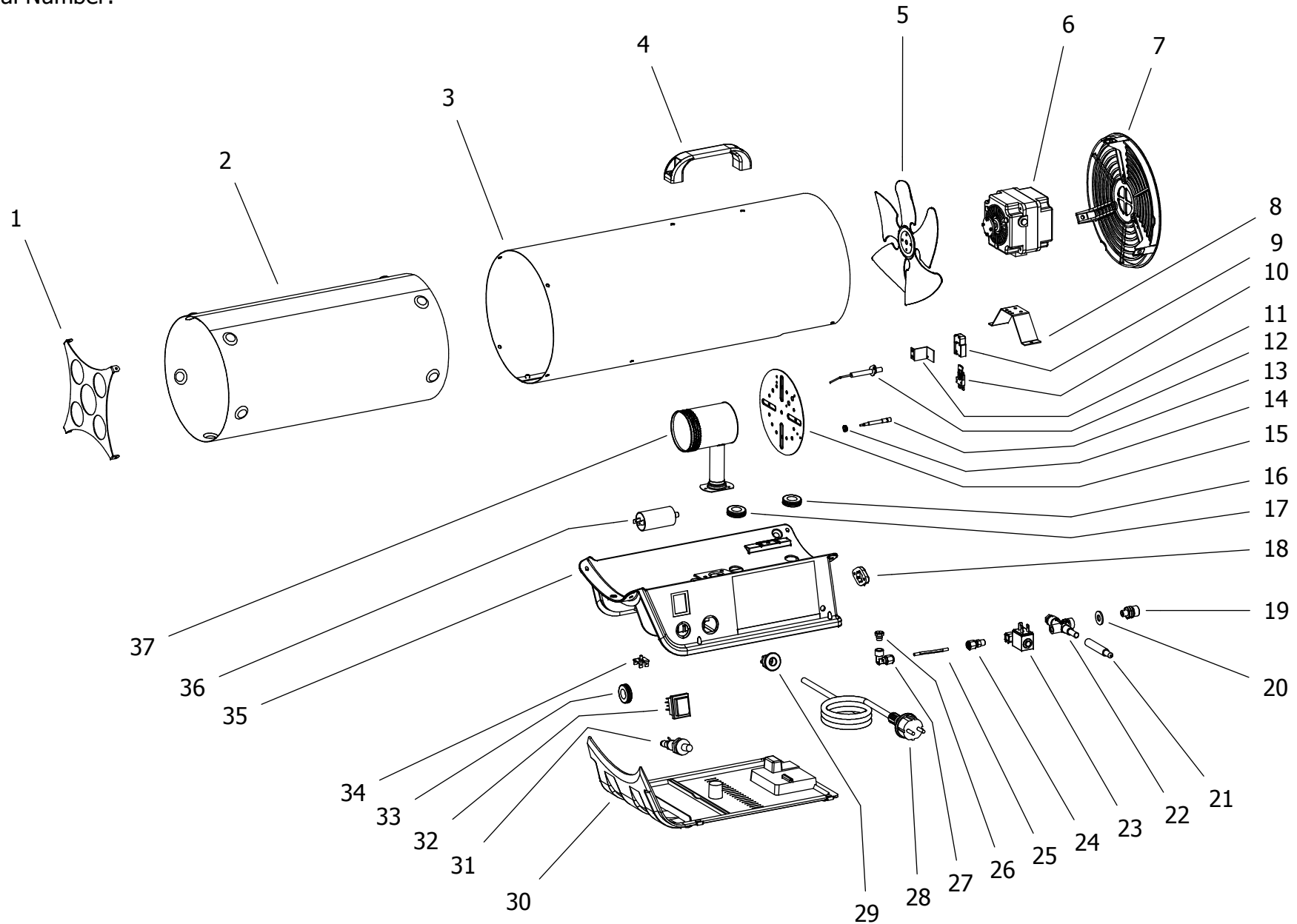
MODEL REM 33

UNIT 1

ILLUSTRATED PARTS BREAKDOWN

From Serial Number:

Rev. B - May 2012



MODEL REM 33

UNIT 2

PARTS LIST

Pos.	Code NR	Description	Rev. B - May 2012
1	4160.764	OUTLET GRID	
2	4161.373	COMBUSTION CHAMBER	
3	4160.551	COVER	
4	4162.893	PLASTIC HANDLE	
5	4161.175	FAN	
6	4160.045	ELECTRIC MOTOR	
7	4161.863	PLASTIC INLET GRID	
8	4161.177	ELECTRIC MOTOR BRACKET	
9	4162.909	SAFETY THERMOSTAT COVER	
10	4162.910	SAFETY THERMOSTAT	
11	4106.047	SUPPORT FOR THERMOSTAT	
12	4160.731	IGNITION ELECTRICAL FOLDER	
13	4106.041	INTERRUPTED THERMOCOUPLE	
14	4106.043	THERMOCOUPLE NUT	
15	4160.726	PLATE BURNER	
16	4160.646	GROMMET	
17	4160.646	GROMMET	
18	4161.854	BLOCK FOR NOZZLE	
19	4160.048	GAS INLET NOZZLE	
20	4160.283	WASHER	
21	4162.885	VALVE ROD	
22	4160.653	SAFETY VALVE	
23	4160.562	ELECTROVALVE	
24	4160.623	NIPPLES REDUCER	
25	4162.886	COPPER TUBE	
26	4162.887	GAS NOZZLE	
27	4160.621	ELBOW	
28	4160.539	ELECTRIC CABLE	
29	4160.635	KEEPER WIRE	
30	4162.883	LOWER PLASTIC BASE	
31	4162.597	PIEZO IGNITOR	
32	4160.637	SWITCH	
33	4160.646	GROMMET	
34	4160.639	RIVET POP	
35	4162.882	HIGHER PLASTIC BASE	
36	4161.830	CAPACITOR 2 μ F	
37	4162.659	GAS BURNER	

MODEL REM 33

UNIT 3

RECOMMENDED SPARE PARTS

Pos.	Code NR	Description	Rev. B - May 2012
6	4160.045	ELECTRIC MOTOR	
9	4162.909	SAFETY THERMOSTAT COVER	
10	4162.910	SAFETY THERMOSTAT	
12	4160.731	IGNITION ELECTRICAL FOLDER	
13	4106.041	INTERRUPTED THERMOCOUPLE	
22	4160.653	SAFETY VALVE	
23	4160.562	ELECTROVALVE	
31	4162.597	PIEZO IGNITOR	

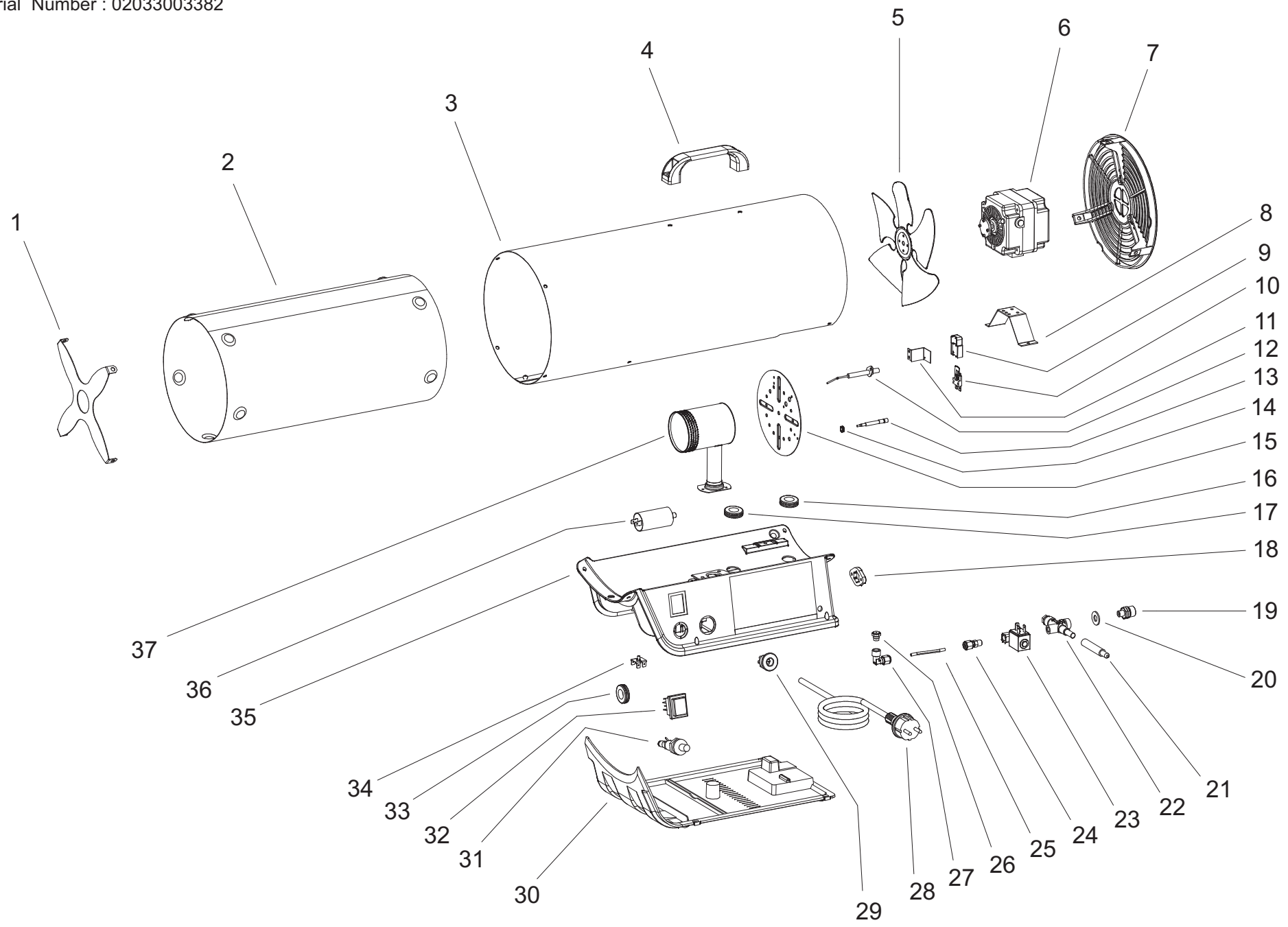
MODEL REM 33

UNIT 1

ILLUSTRATED PARTS BREAKDOWN

From Serial Number : 02033003382

Rev.C - May 2013



MODEL REM 33

UNIT 2

PARTS LIST

Pos.	Code N°	Description	Rev.C - May 2013
1	4106.185	OUTLET GRID	
2	4161.373	COMBUSTION CHAMBER	
3	4160.551	COVER	
4	4162.893	PLASTIC HANDLE	
5	4161.175	FAN	
6	4160.045	ELECTRIC MOTOR	
7	4161.863	PLASTIC INLET GRID	
8	4161.177	ELECTRIC MOTOR BRACKET	
9	4162.909	SAFETY THERMOSTAT COVER	
10	4162.910	SAFETY THERMOSTAT	
11	4106.047	SUPPORT FOR THERMOSTAT	
12	4160.731	IGNITION ELECTRICAL FOLDER	
13	4106.041	INTERRUPTED THERMOCOUPLE	
14	4106.043	THERMOCOUPLE NUT	
15	4160.726	PLATE BURNER	
16	4160.646	GROMMET	
17	4160.646	GROMMET	
18	4161.854	BLOCK FOR NOZZLE	
19	4160.048	GAS INLET NOZZLE	
20	4160.283	WASHER	
21	4162.885	VALVE ROD	
22	4160.653	SAFETY VALVE	
23	4160.562	ELECTROVALVE	
24	4160.623	NIPPLES REDUCER	
25	4162.886	COPPER TUBE	
26	4162.887	GAS NOZZLE	
27	4160.621	ELBOW	
28	4160.539	ELECTRIC CABLE	
29	4160.635	KEEPER WIRE	
30	4162.883	LOWER PLASTIC BASE	
31	4162.597	PIEZO IGNITOR	
32	4160.637	SWITCH	
33	4160.646	GROMMET	
34	4160.639	RIVET POP	
35	4162.882	HIGHER PLASTIC BASE	
36	4161.830	CAPACITOR 2 μ F	
37	4162.659	GAS BURNER	

RECOMMENDED SPARE PARTS

Pos.	Code NR	Description	Rev.C - May 2013
6	4160.045	ELECTRIC MOTOR	
9	4162.909	SAFETY THERMOSTAT COVER	
10	4162.910	SAFETY THERMOSTAT	
12	4160.731	IGNITION ELECTRICAL FOLDER	
13	4106.041	INTERRUPTED THERMOCOUPLE	
22	4160.653	SAFETY VALVE	
23	4160.562	ELECTROVALVE	
31	4162.597	PIEZO IGNITOR	