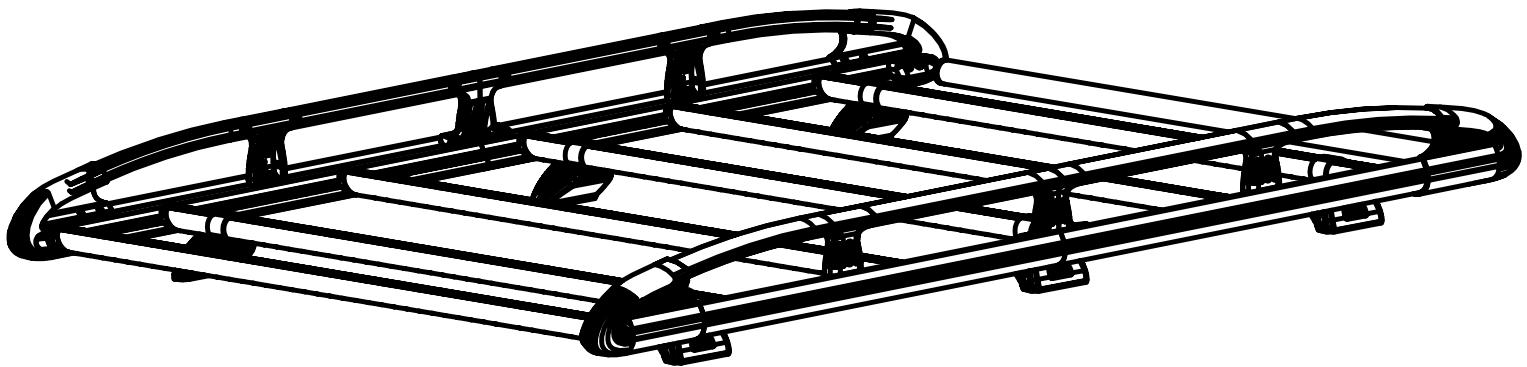


# VE4KR

# KammRack

## Instructions

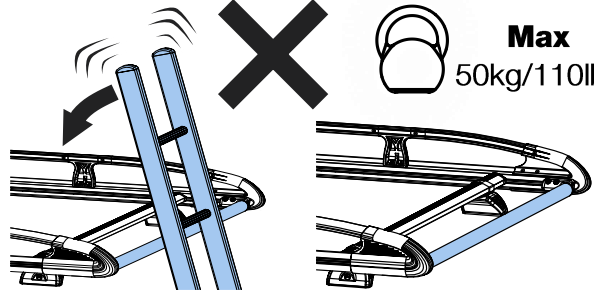
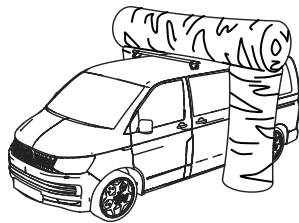
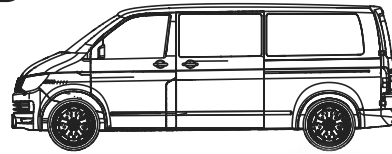


**CITY CRASH** (✓)

According to ISO/ PAS 11154:2006

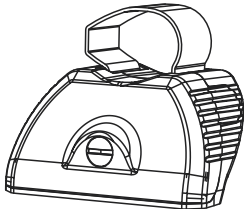
**VE4KR:**

**VW** Crafter 2017-

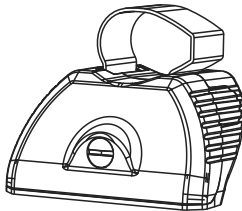


**Max**  
50kg/110lbs

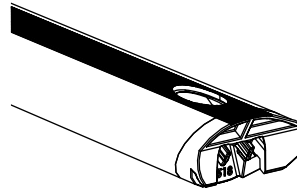
## KammRack



**SA397U x 4**



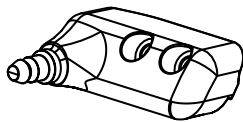
**SA398U x 4**



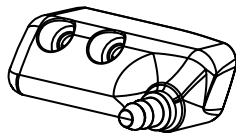
**SA430/  
SA468**



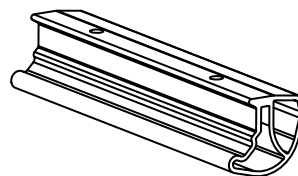
**C04 x 8**  
\*optional upgrade\*



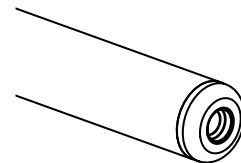
**PS519 x 1**



**PS520 x 1**



**EXT15-02**

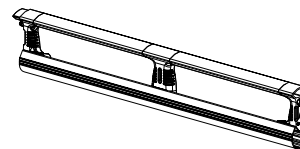
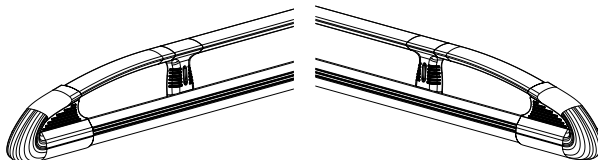


**SA438 x 1**

**LHS x 2**

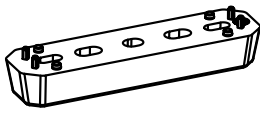
**RHS x 2**

**Centre**

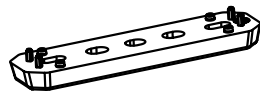


**ASF x 1**

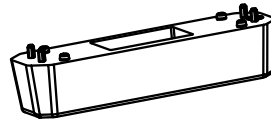
## Fitting Kit



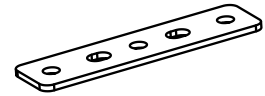
**PS183 x 8**



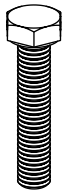
**PS178 x 6**



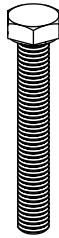
**PS180 x 2**



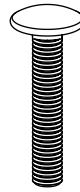
**PS023 x 8**



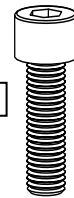
**FS066  
(M8 x 40)  
x 6**



**FS105  
(M8 x 55)  
x 2**



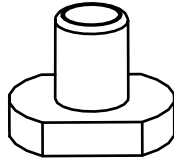
**FS134  
(M8 x 45)  
x 16**



**FS059  
(M8 x 25)  
x 22**



**FN006 (M8) x 16**



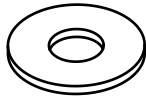
**FN085 x 22**



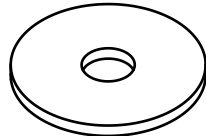
**FT01 x 1**



**FT05 x 1**



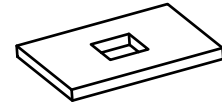
**FW002 (M8) x 16**



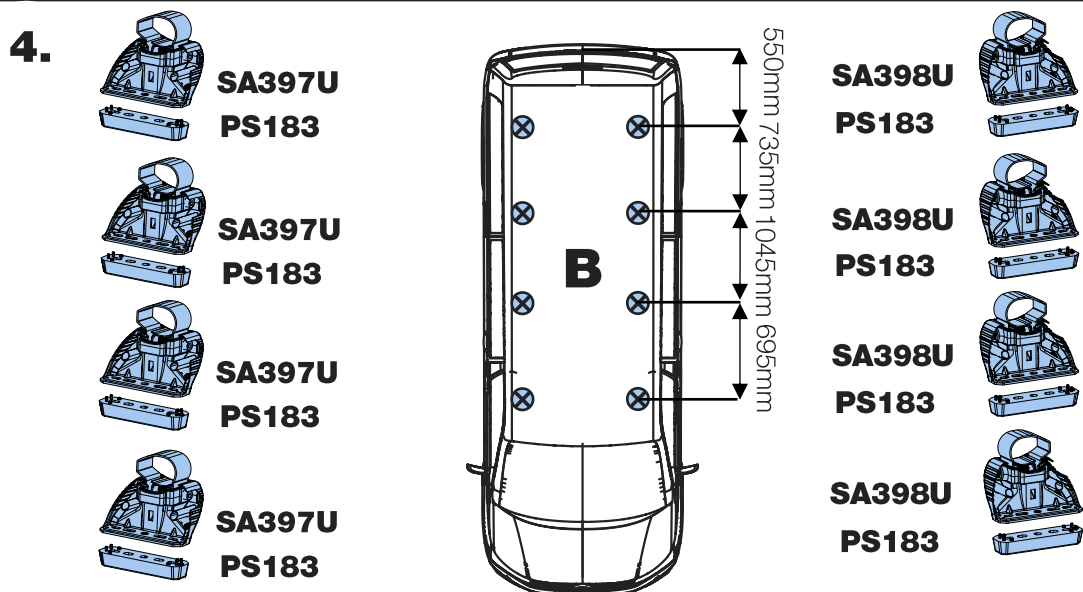
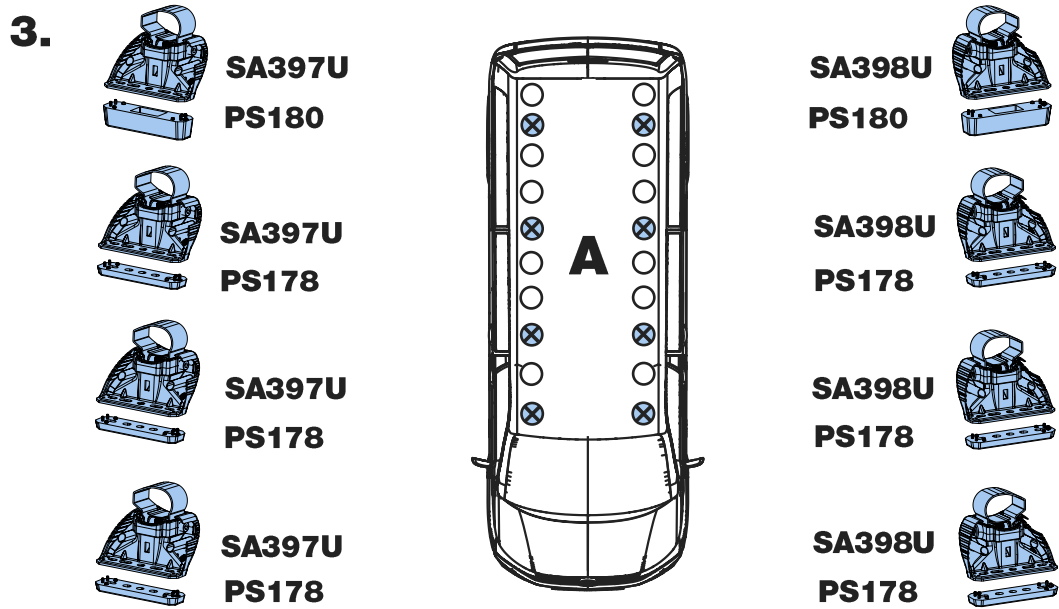
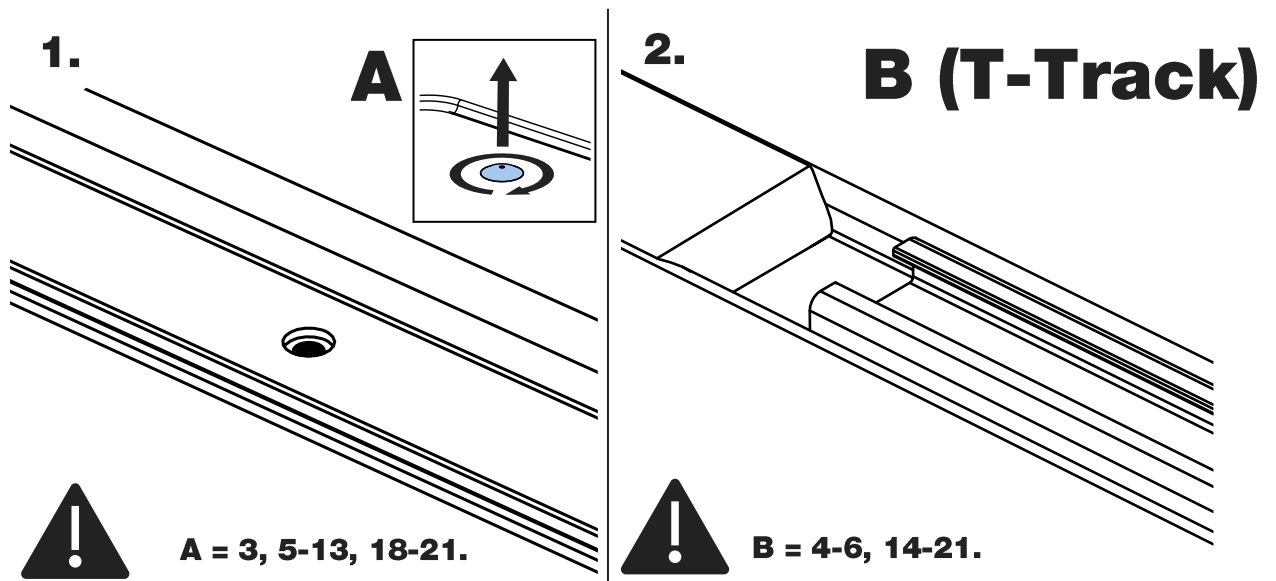
**PS208 (M8) x 8**



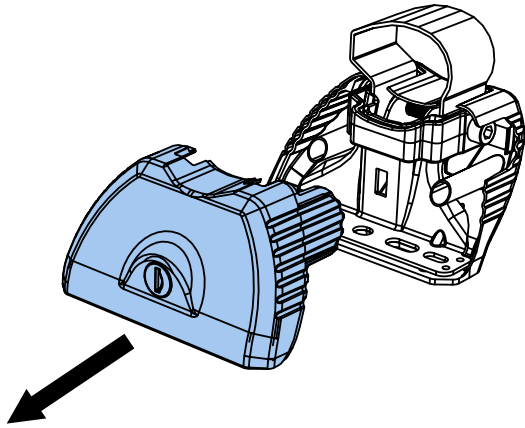
**PS020 (M8) x 8**



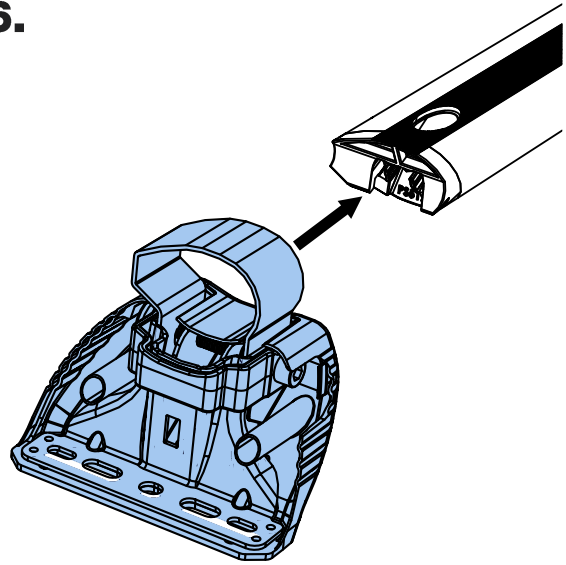
**MS209 (M8) x 16**



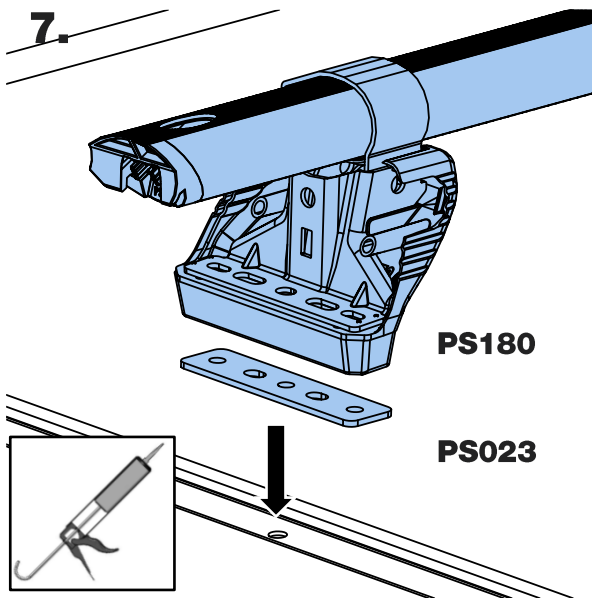
5.



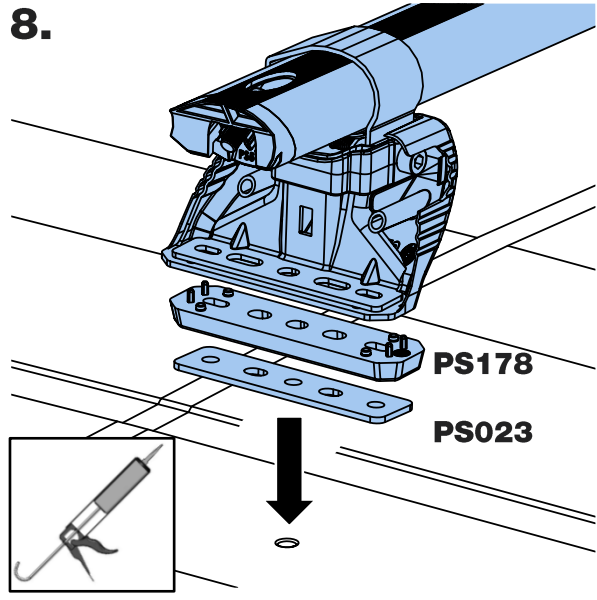
6.



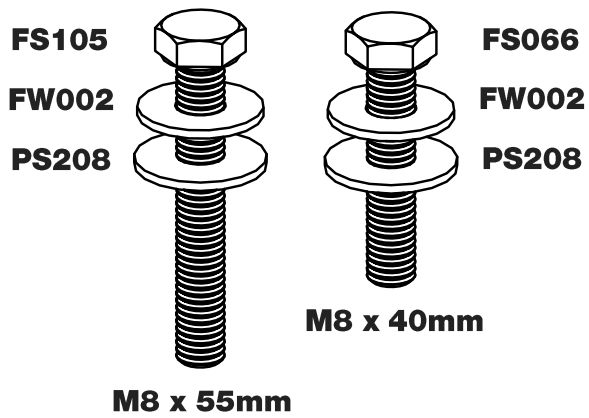
7.



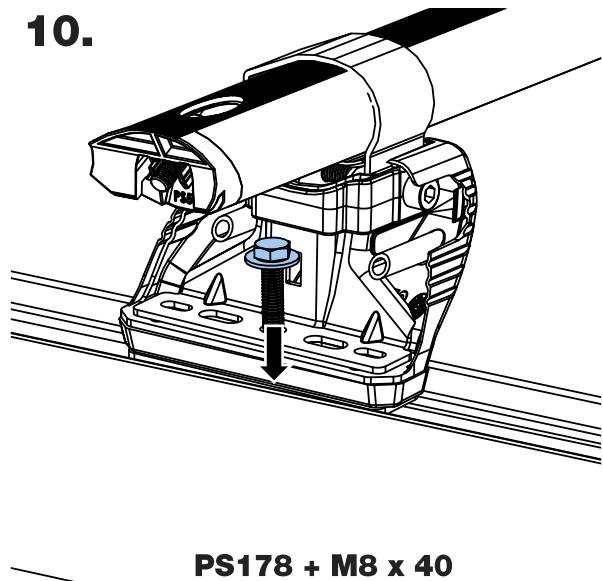
8.



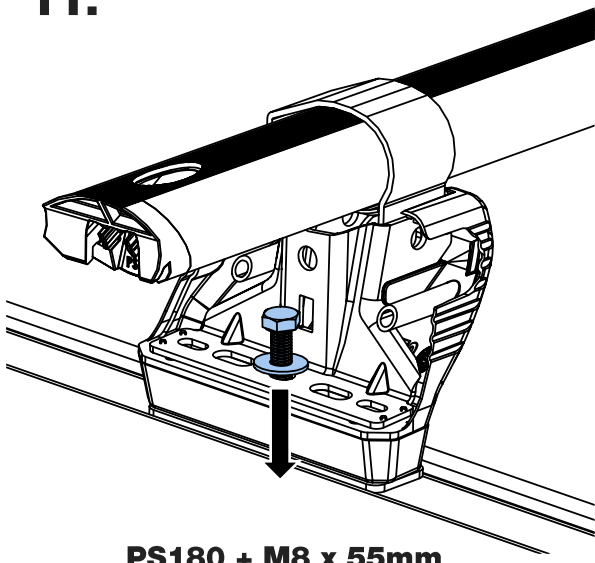
9.



10.



11.



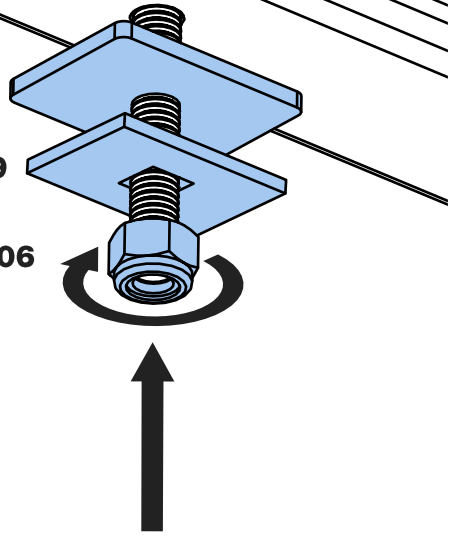
PS180 + M8 x 55mm

12.

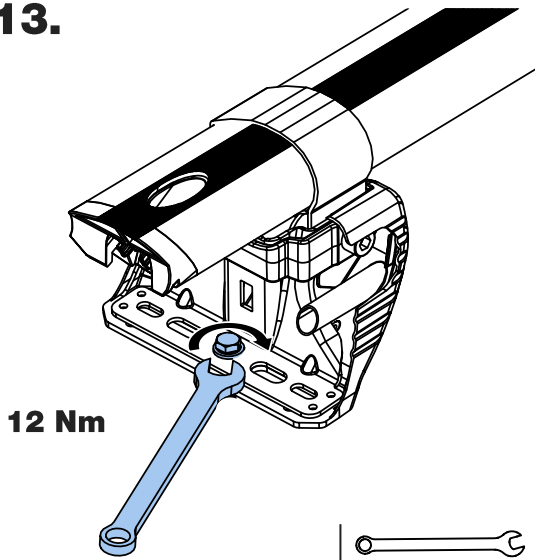
PS020

MS209

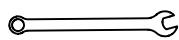
FN006



13.



12 Nm



13mm x 2

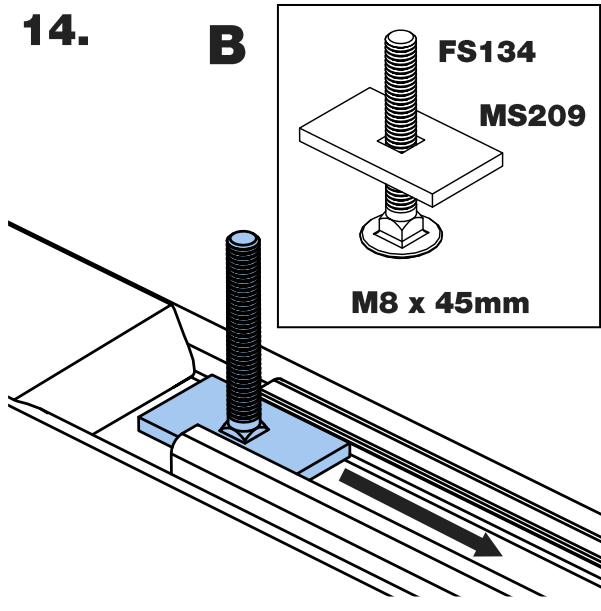
14.

B

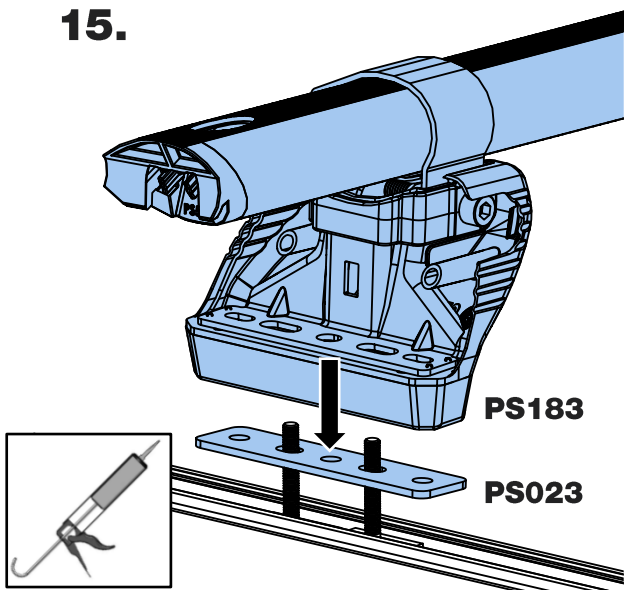
FS134

MS209

M8 x 45mm



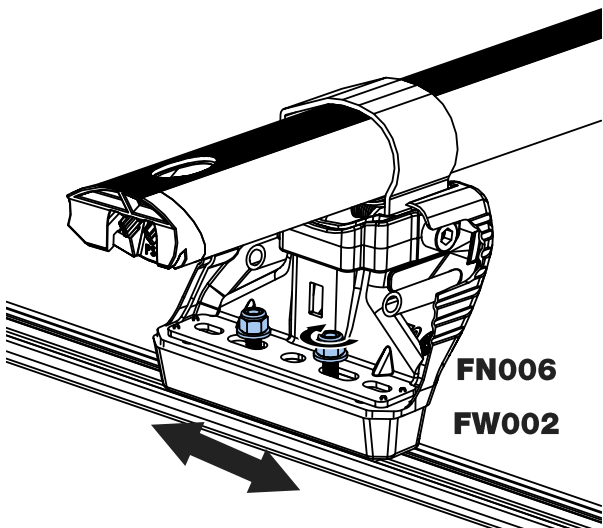
15.



PS183

PS023

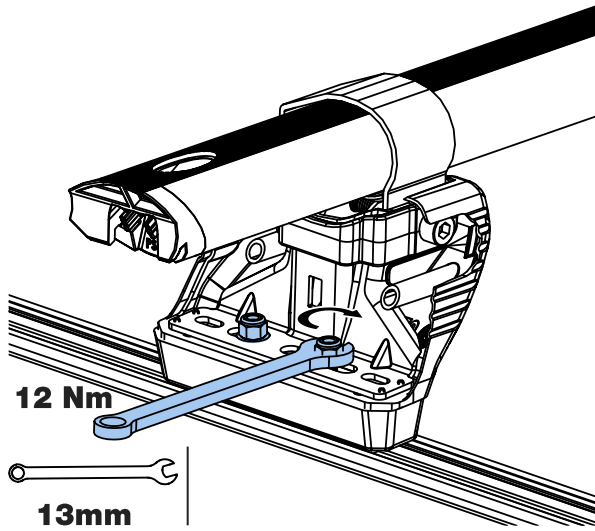
16.



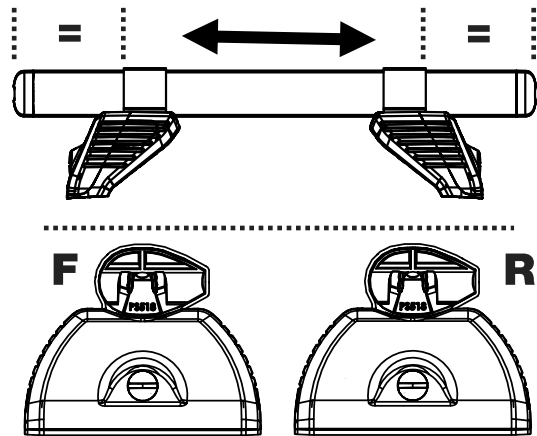
FN006

FW002

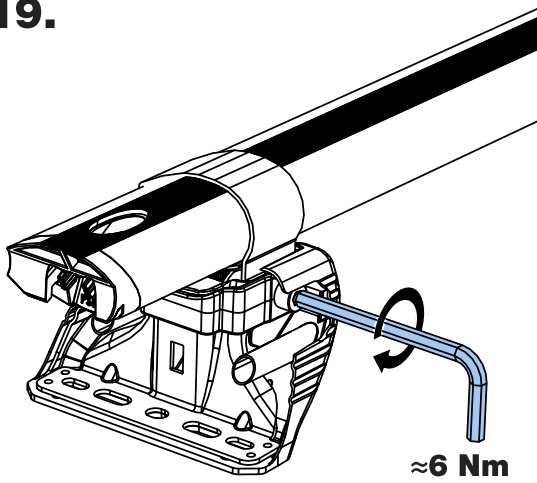
17.



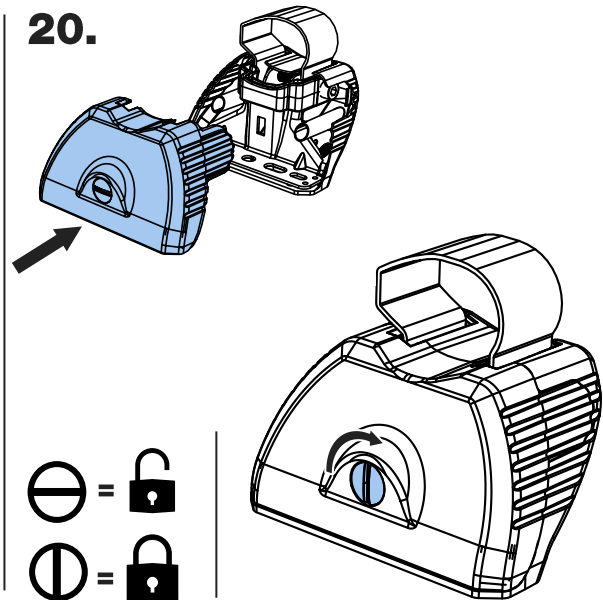
18.



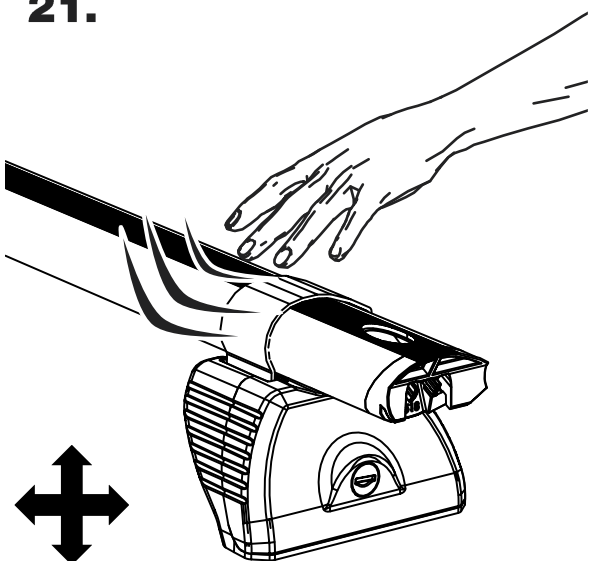
19.



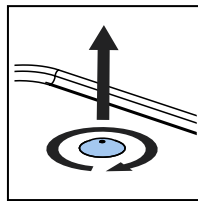
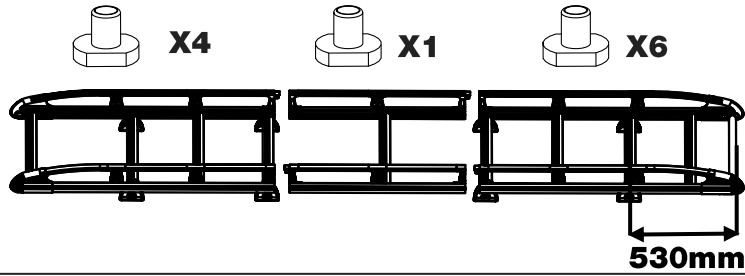
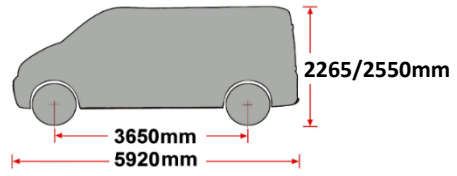
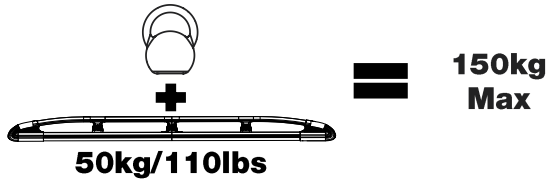
20.



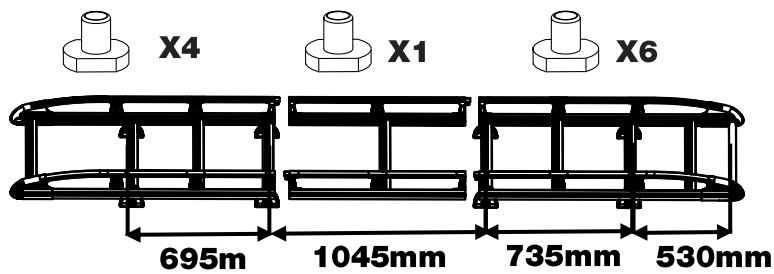
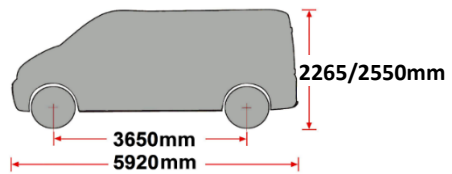
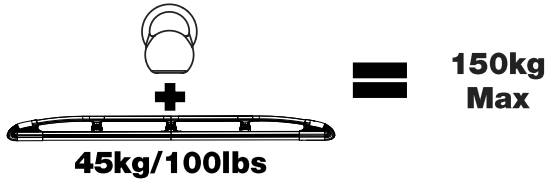
21.



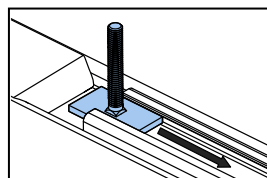
**K666/B666- Crafter/TGE 2017- L3, H2, Twin Doors**  
**K666/B666- Crafter/TGE 2017- L3, H3, Twin Doors**



**K666/B666- Crafter/TGE 2017- L3, H2, Twin Doors**  
**K666/B666- Crafter/TGE 2017- L3, H3, Twin Doors**

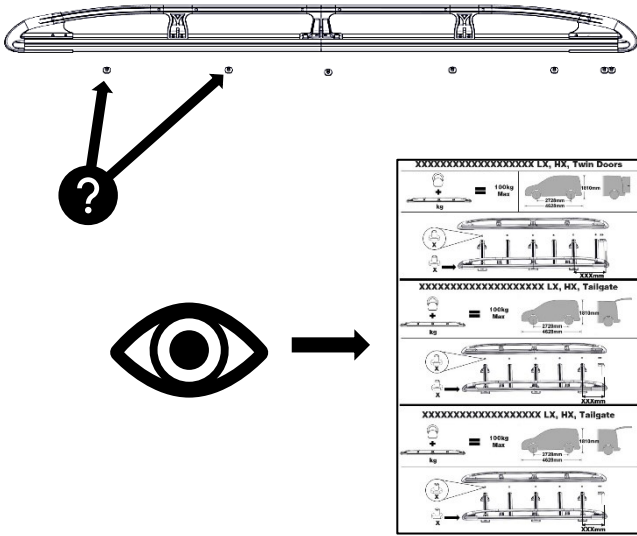


**T-Track Only!**

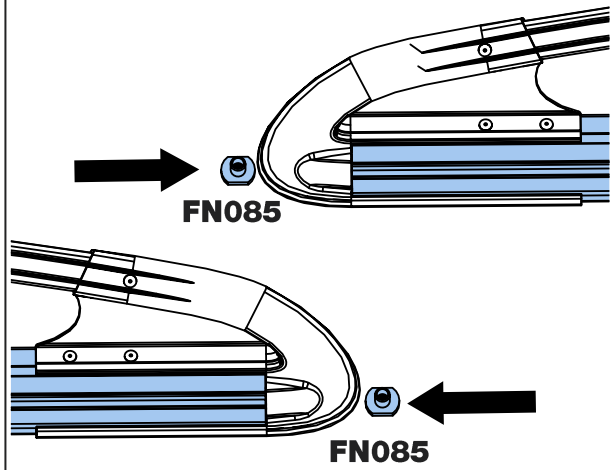




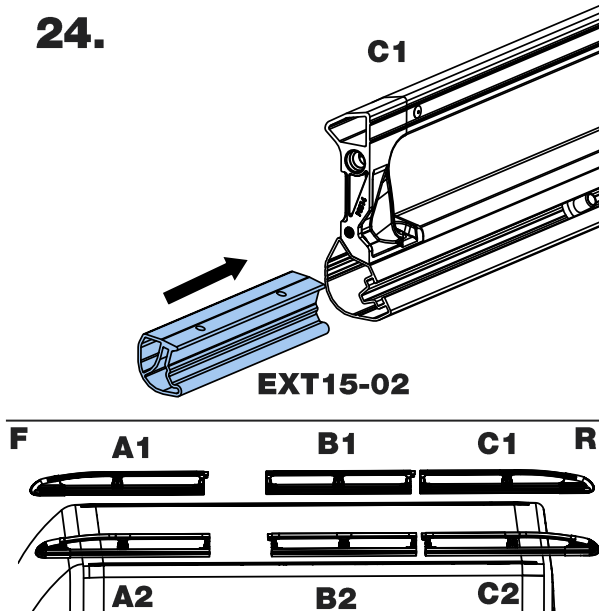
22.



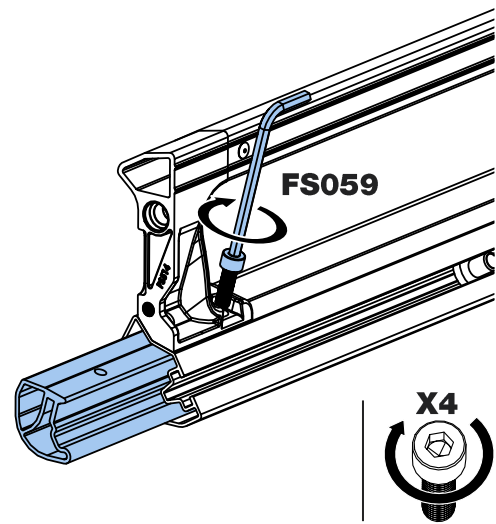
23.



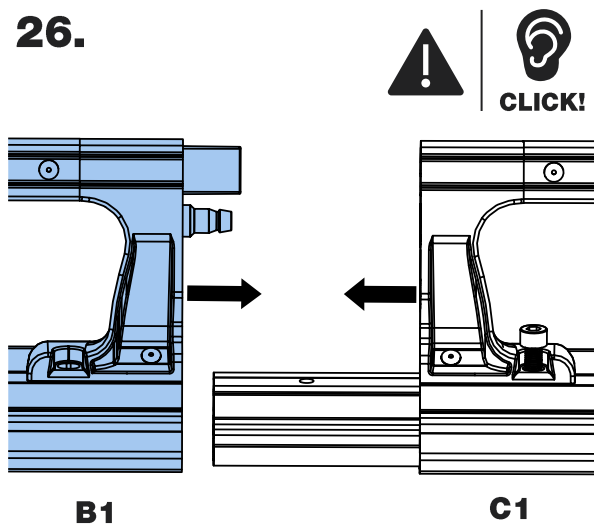
24.



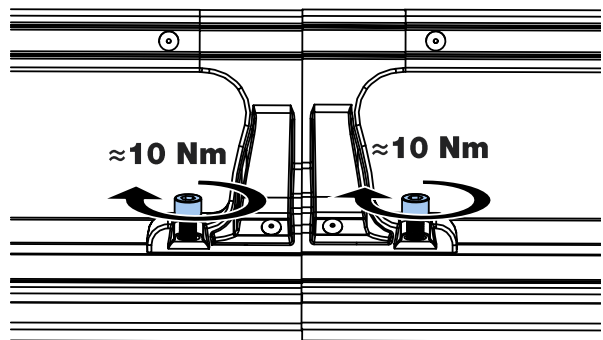
25.



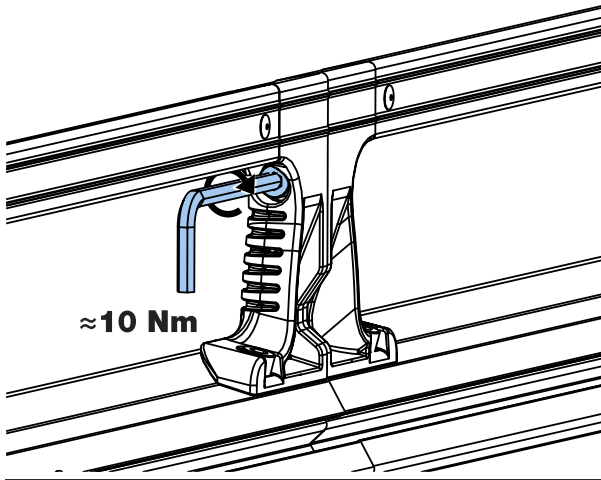
26.



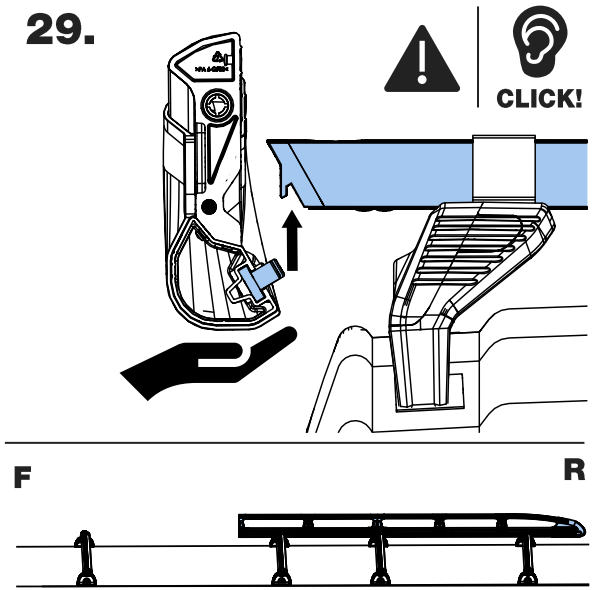
27.



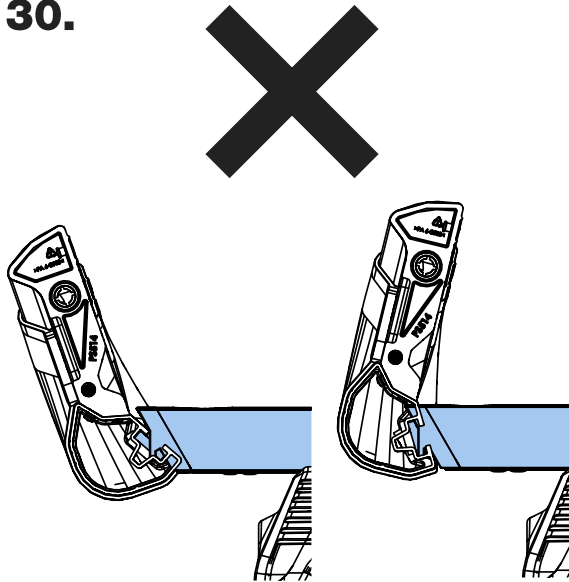
28.



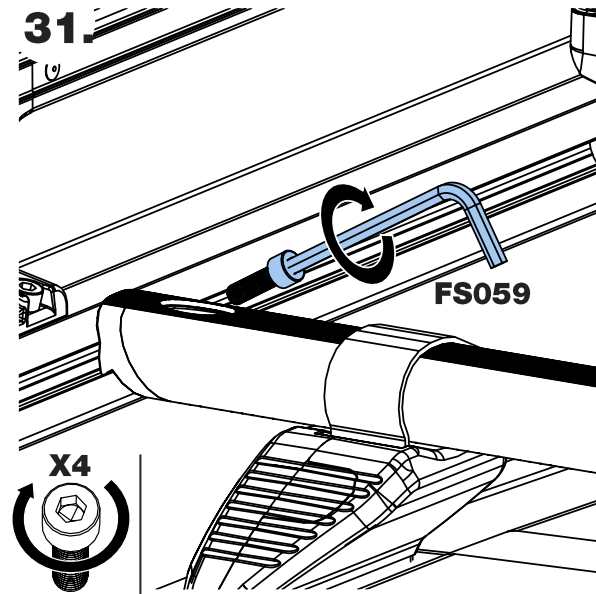
29.



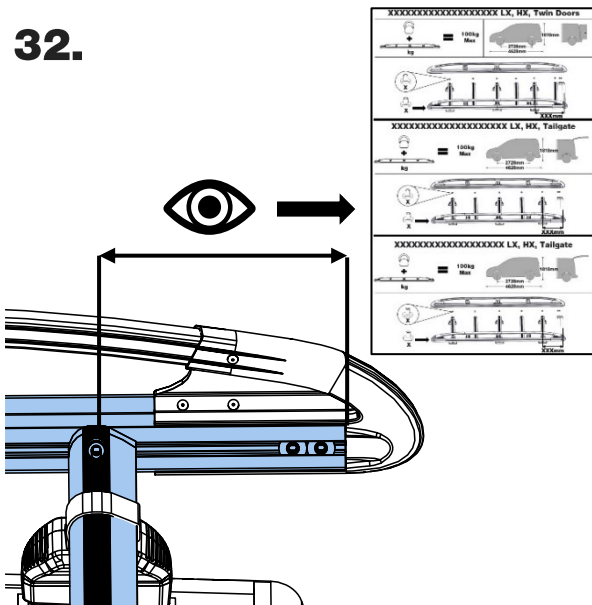
30.



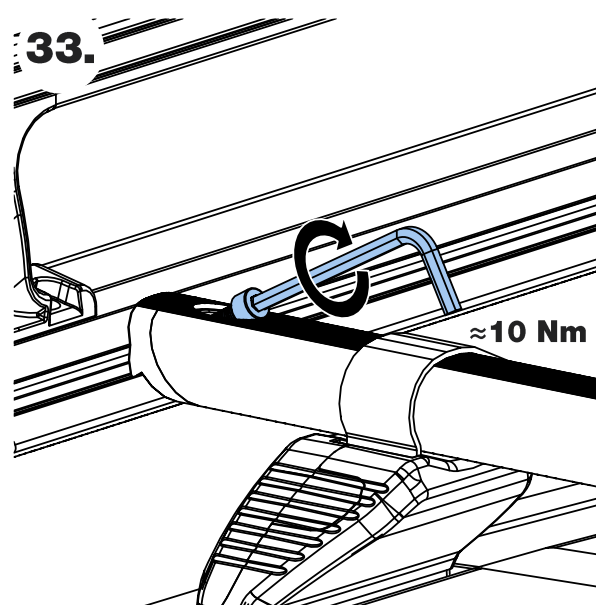
31.



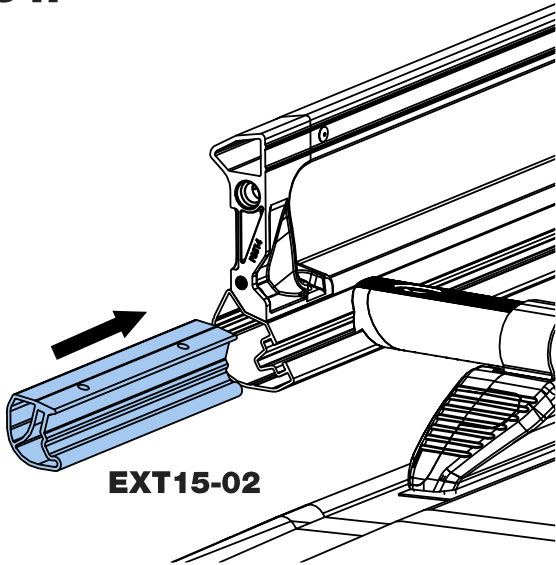
32.



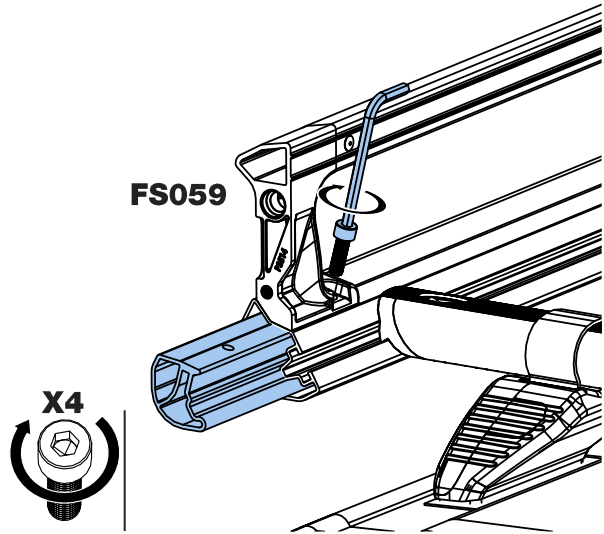
33.



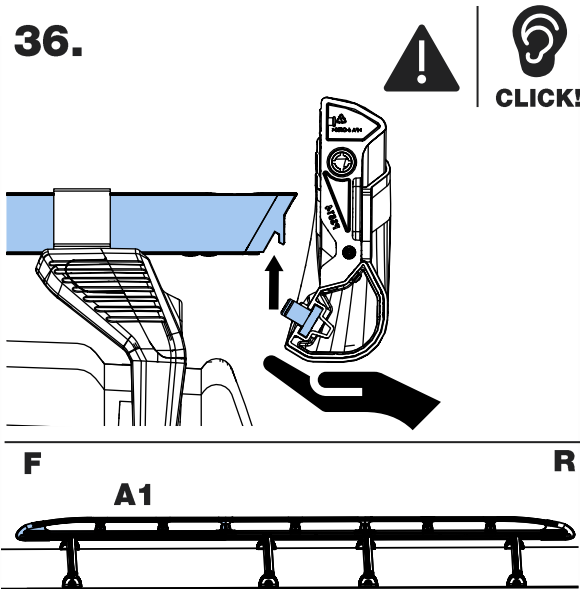
34.



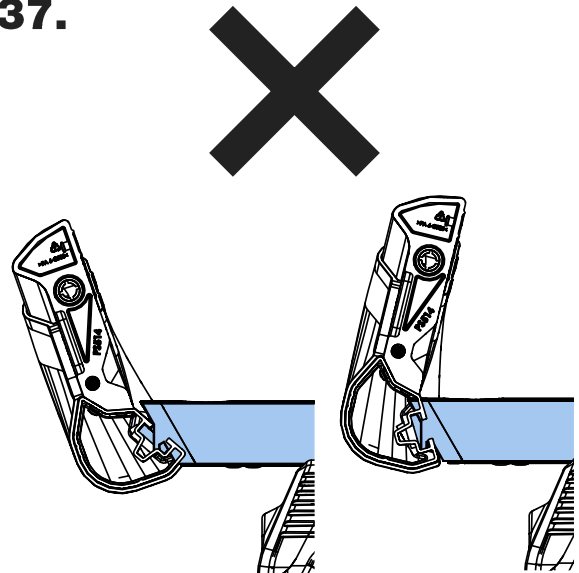
35.



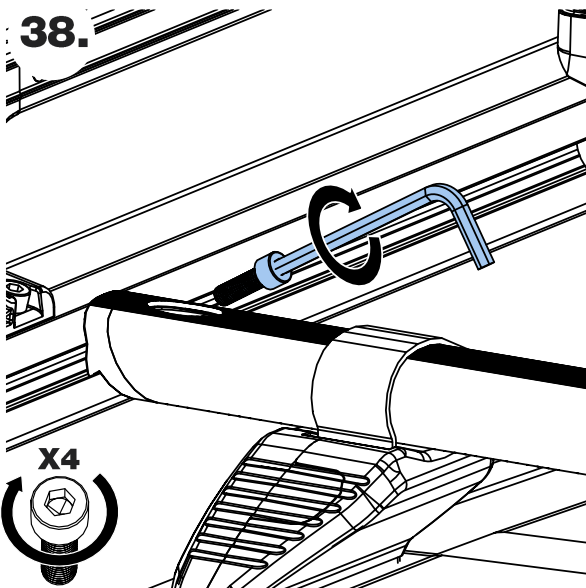
36.



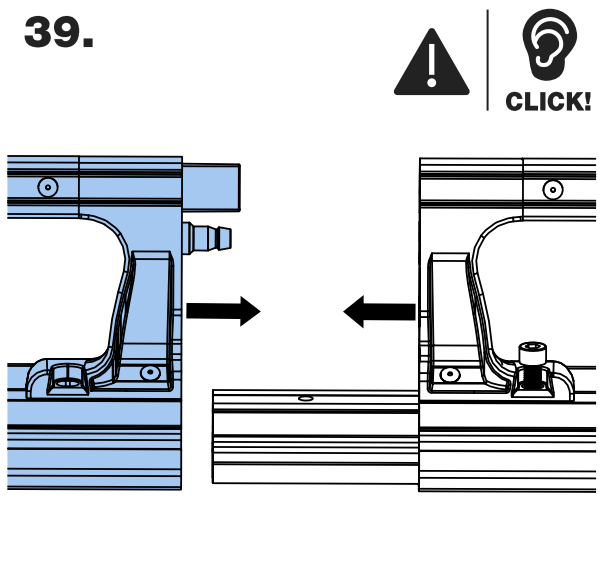
37.



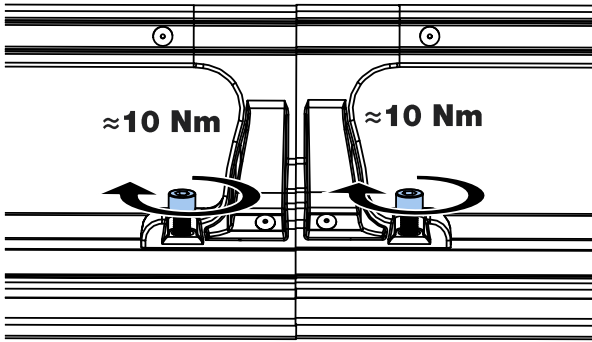
38.



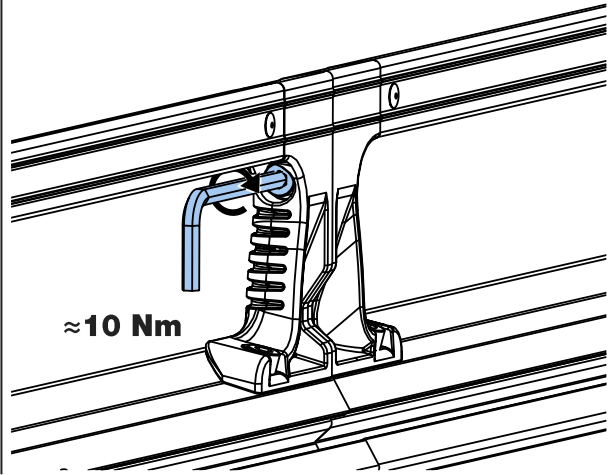
39.



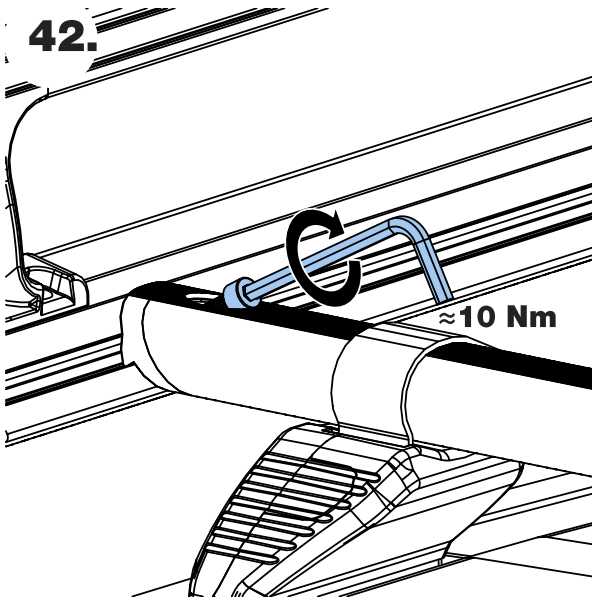
40.



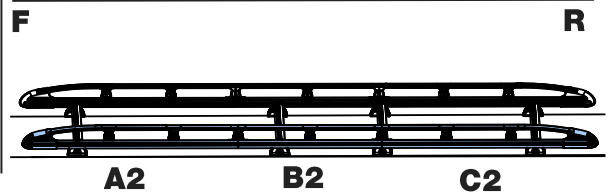
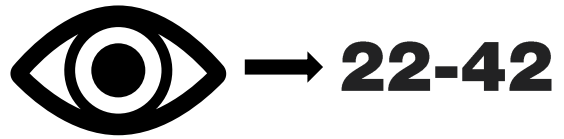
41.



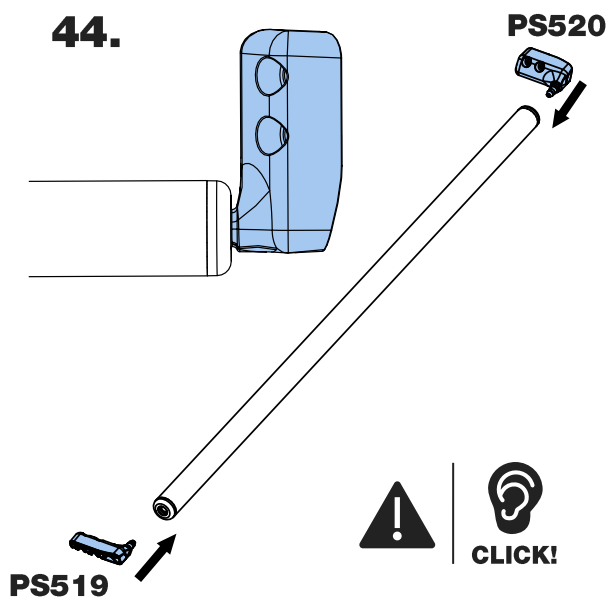
42.



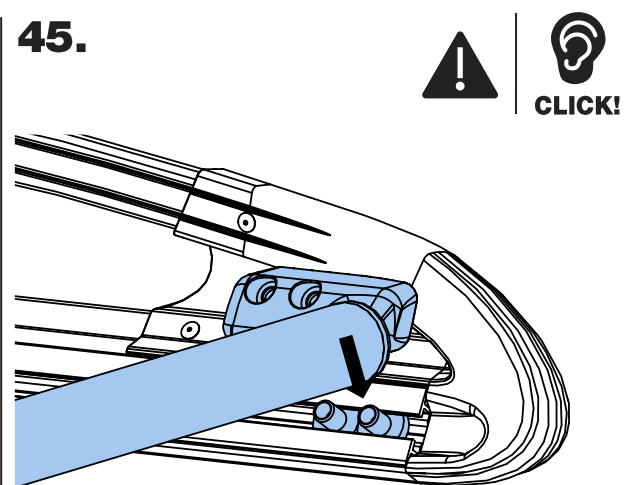
43.



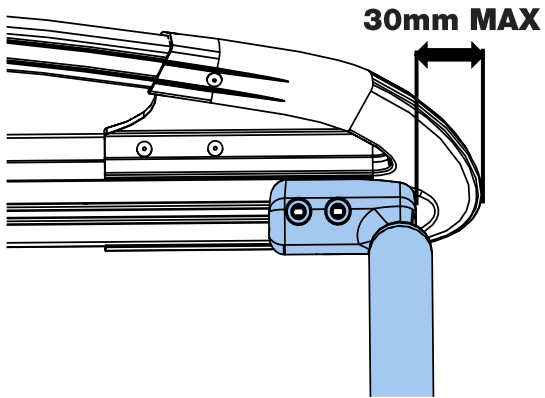
44.



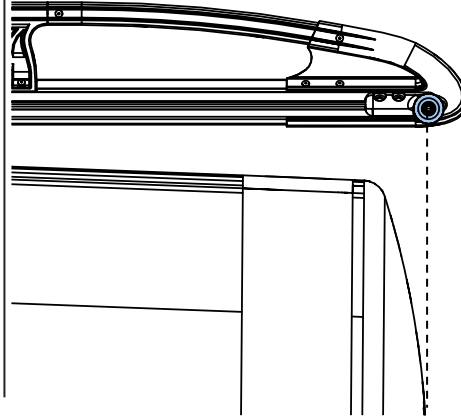
45.



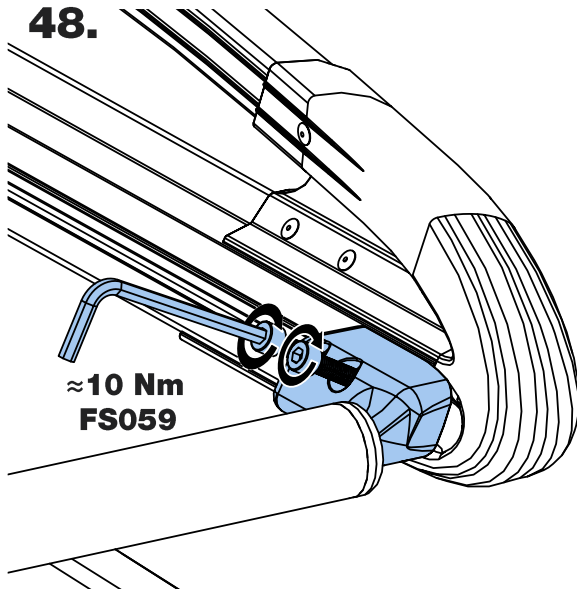
46.



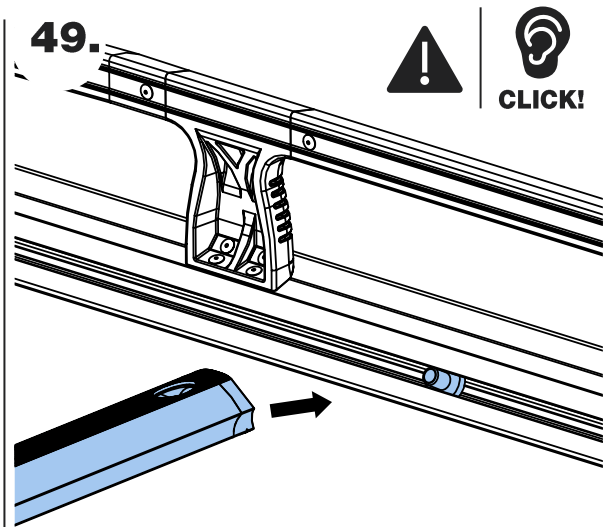
47.



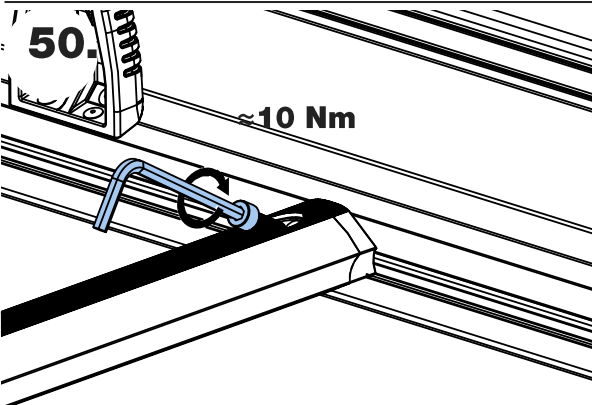
48.



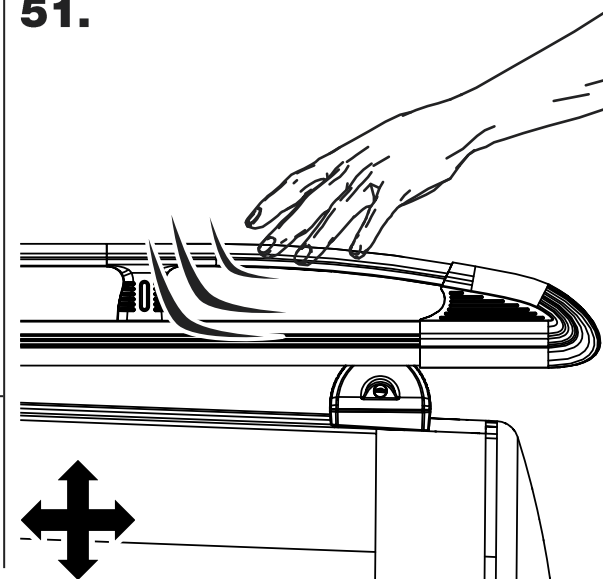
49.



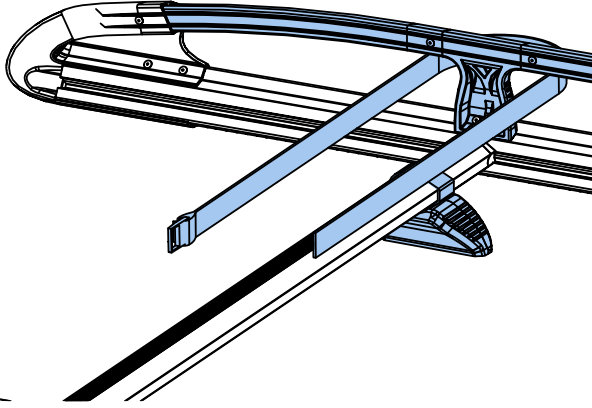
50.



51.



**52.**



**53.**

