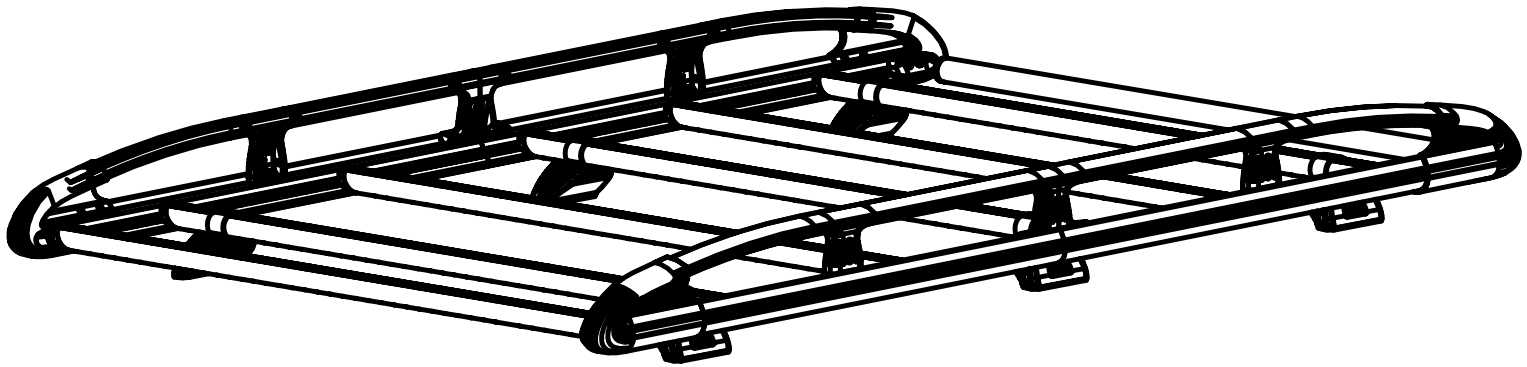


PB3KR

KammRack

Instructions

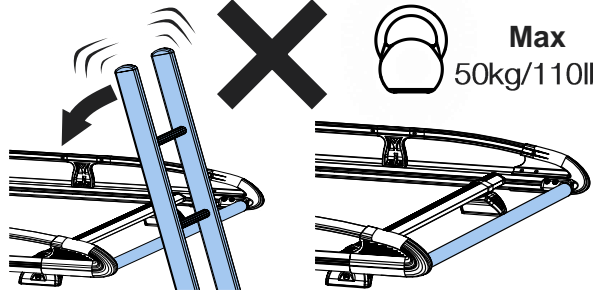
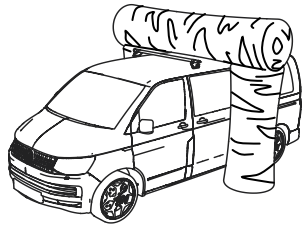
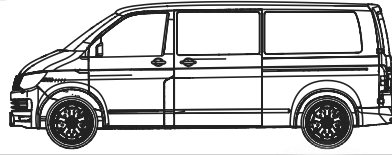


CITY CRASH (✓)

According to ISO/ PAS 11154:2006

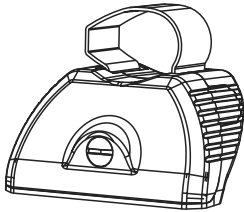
PB3KR:

Renault Kangoo, 2021–
Mercedes Citan, 2021– Nissan
Townstar, 2021–

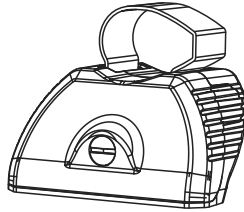


Max
50kg/110lbs

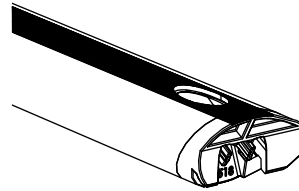
KammRack



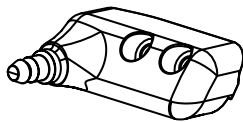
SA397U x 3



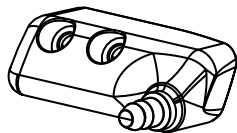
SA398U x 3



SA428/S
A466



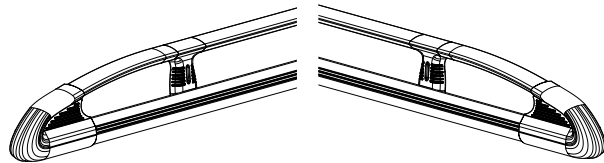
PS519 x 1



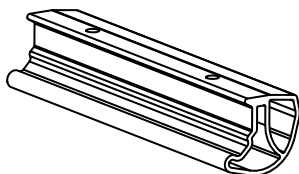
PS520 x 1

LHS x 2

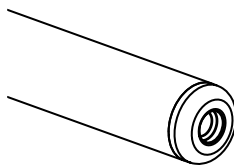
RHS x 2



ASF x 1

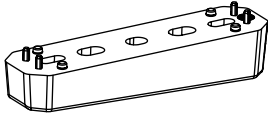


EXT15-02 x 2

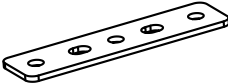


SA436 x 1

Fitting Kit



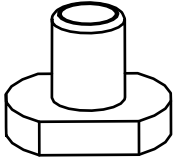
PS176 x 4



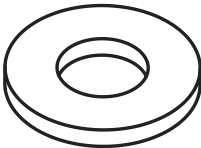
PS023 x 6



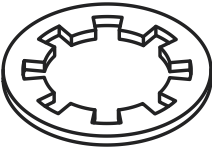
FT01 x 1



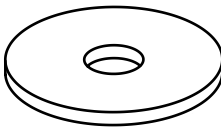
FN085 x 16



FW002 (M8) x 6



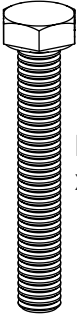
FW009 (M8) x 6



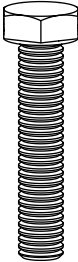
PS208 (M8) x 6



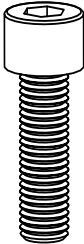
FT05 x 1



FS081 (M8 x 50) x 4

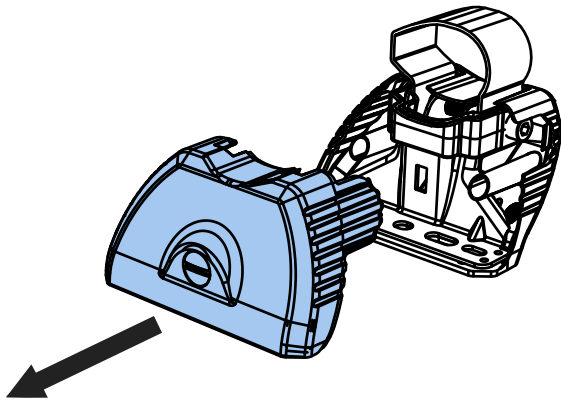


FB014 (M8 x 30) x 2

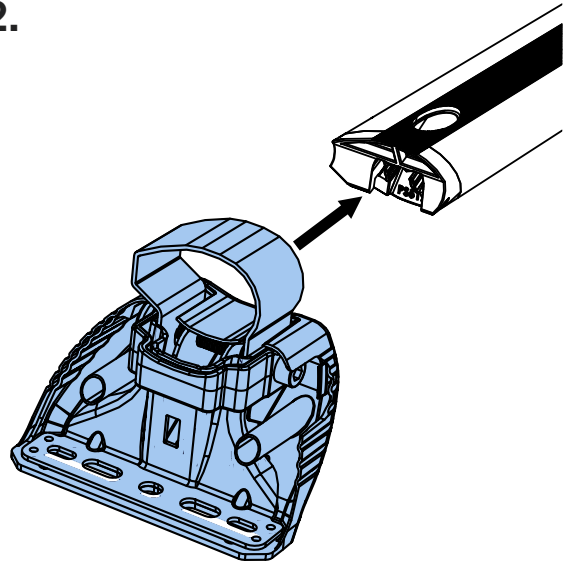


FS059 (M8 x 25) x 16

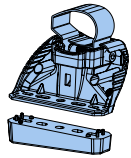
1.



2.

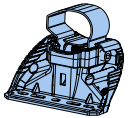


3.

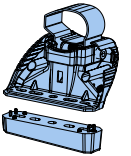


SA397U

PS176



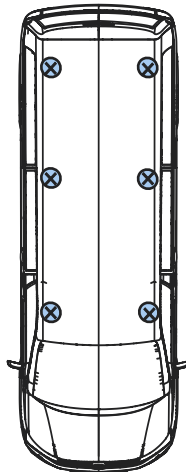
SA397U



SA397U

PS176

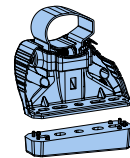
R



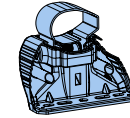
F

SA398U

PS176

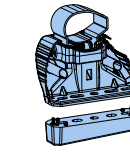


SA398U

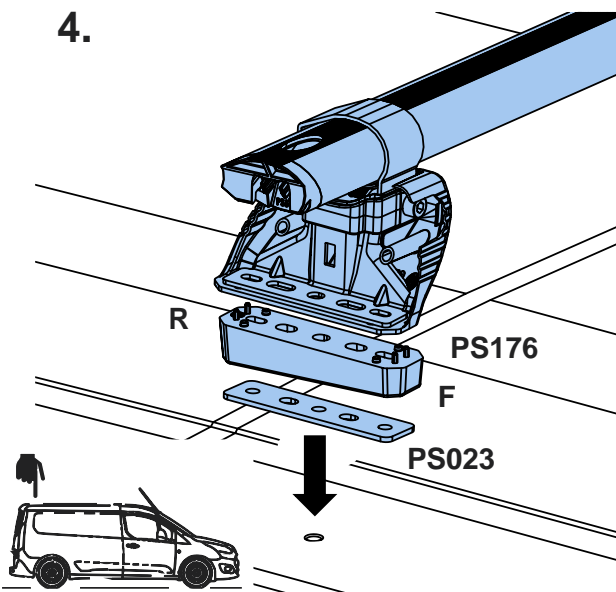


SA398U

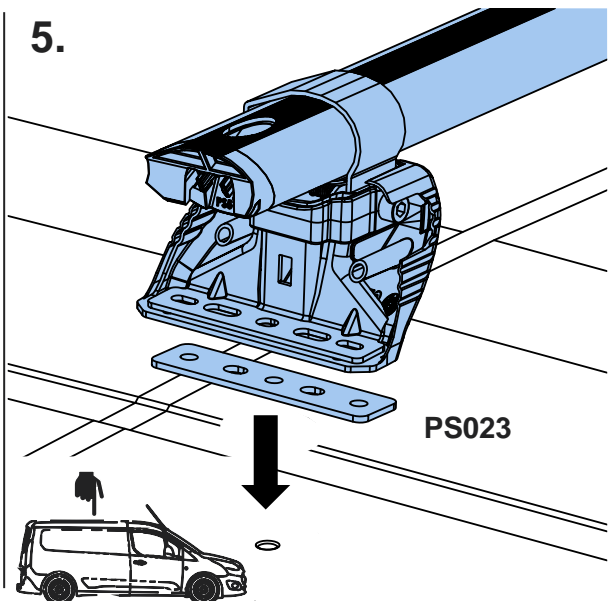
PS176

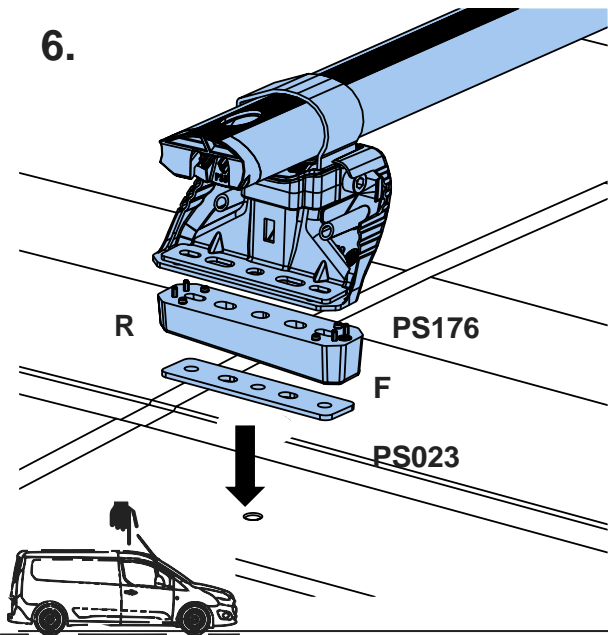


4.

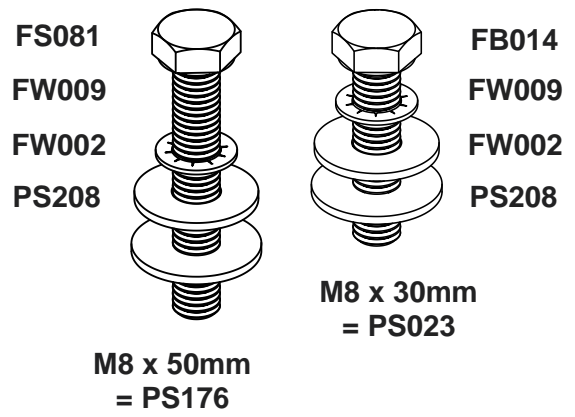


5.

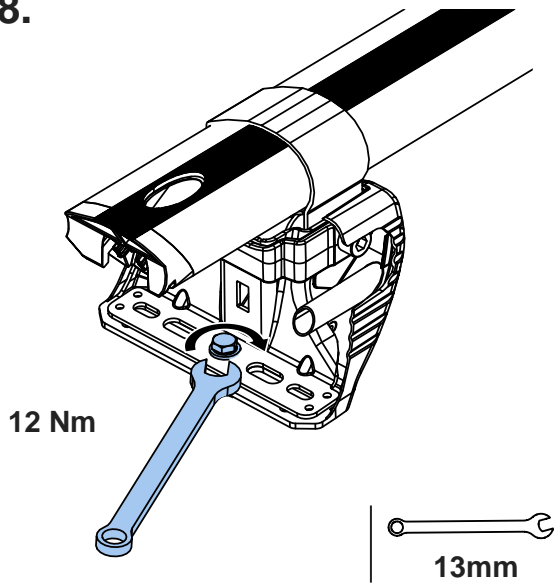




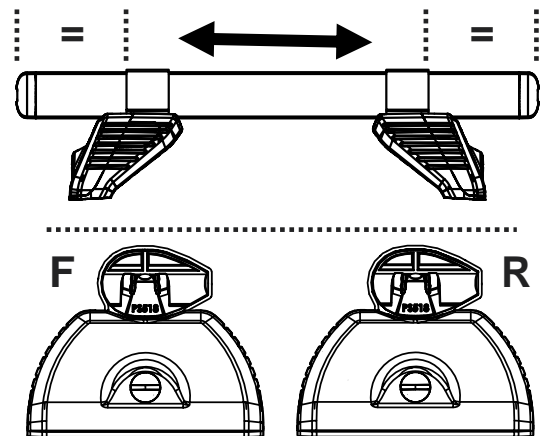
7.



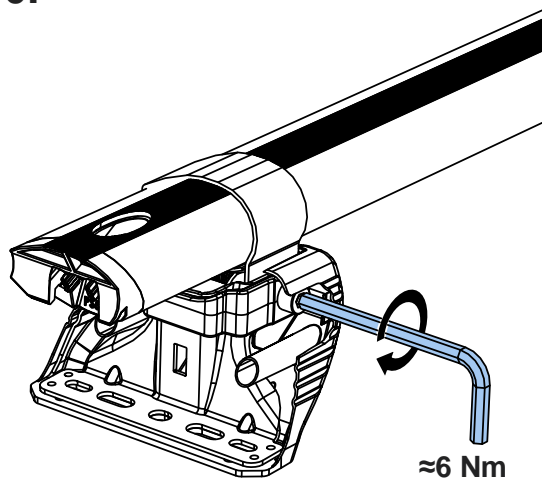
8.



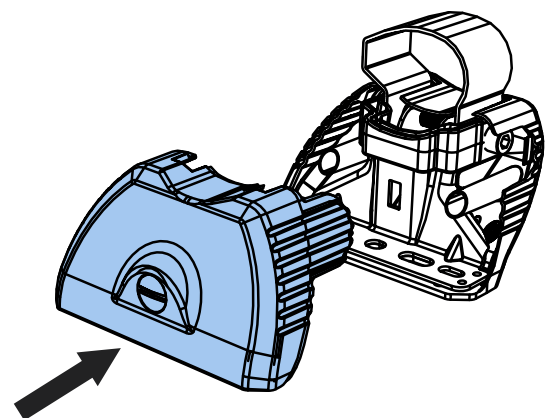
9.



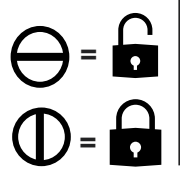
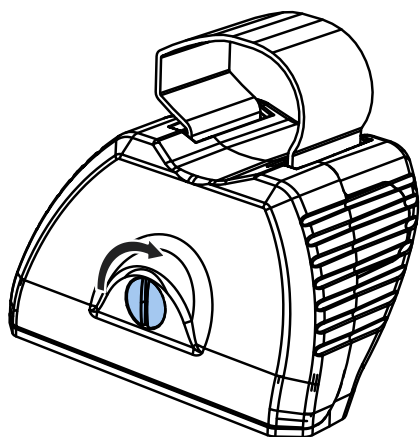
10.



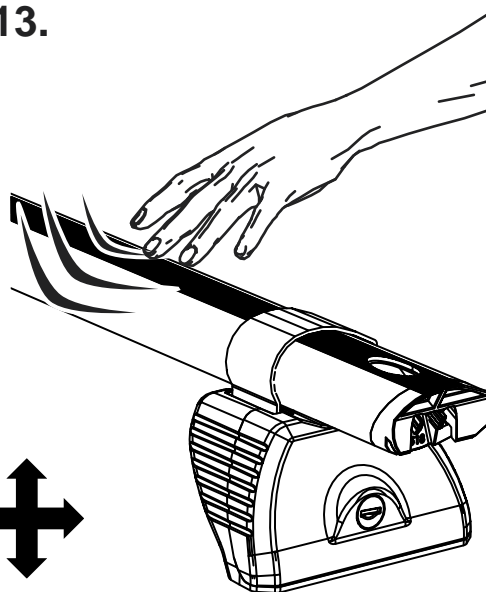
11.



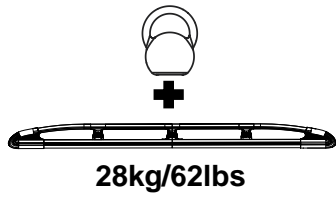
12.



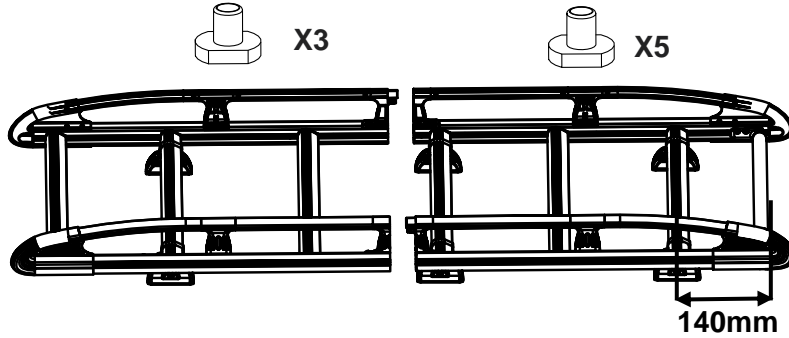
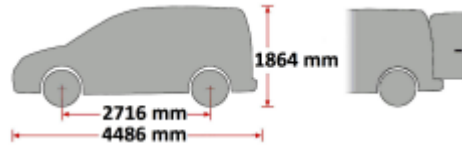
13.



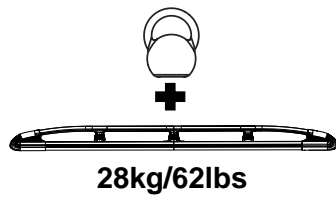
K687/B687- Renault Kangoo 3, Mercedes Citan, Nissan Townstar 2021- Twin Doors



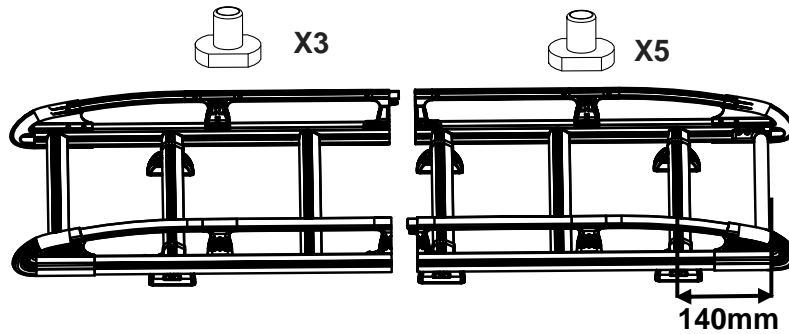
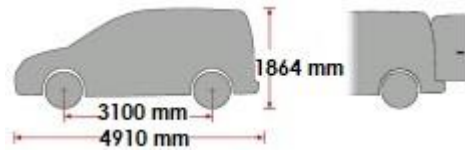
100kg
Max



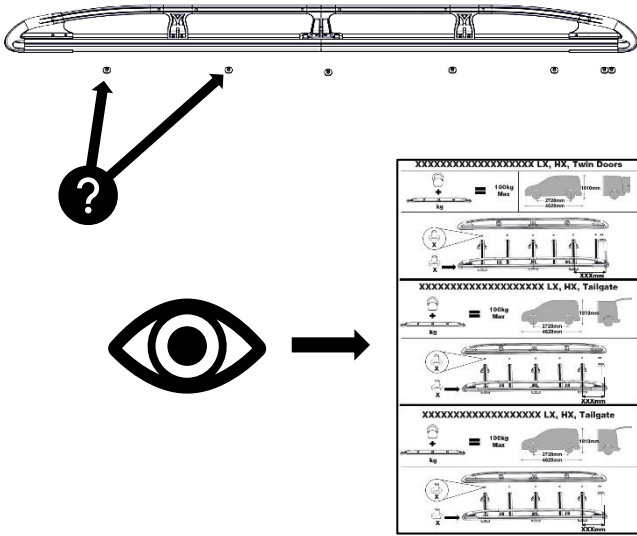
K690/B690- Renault Kangoo 3, Mercedes Citan, Nissan Townstar 2021- Twin Doors L2



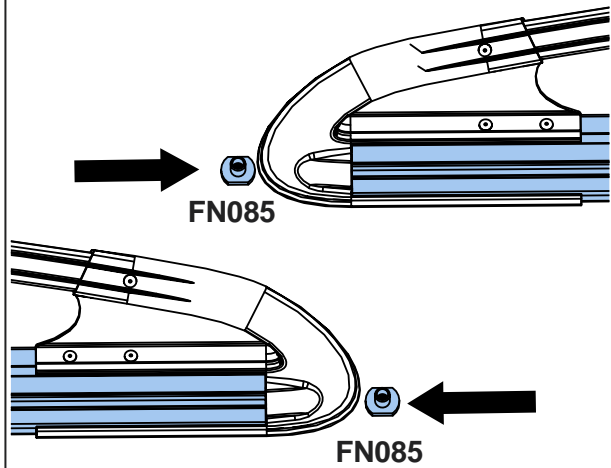
100kg
Max



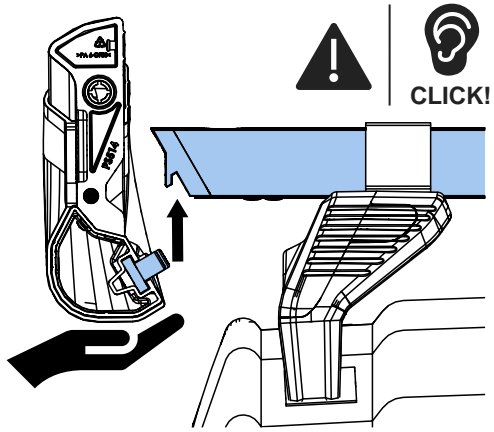
14.



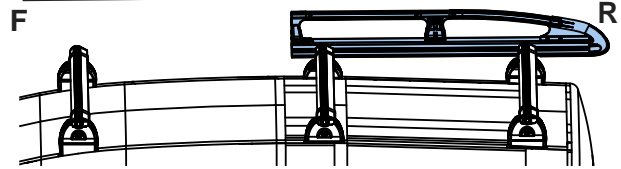
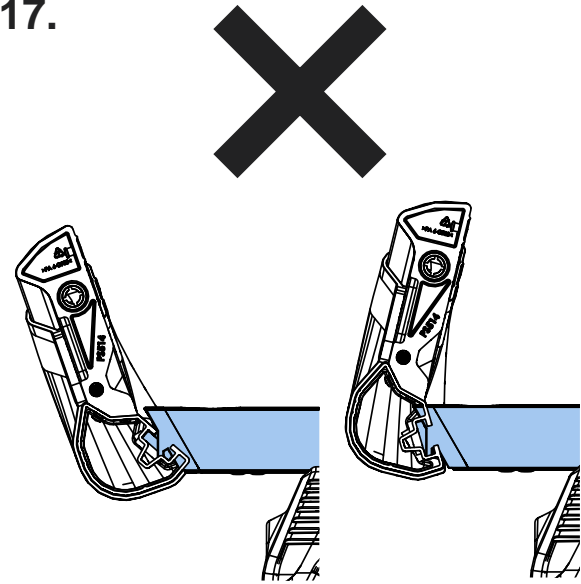
15.



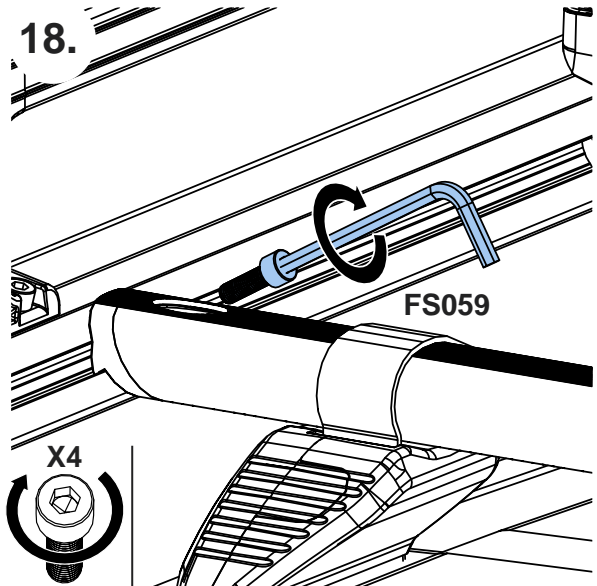
16.



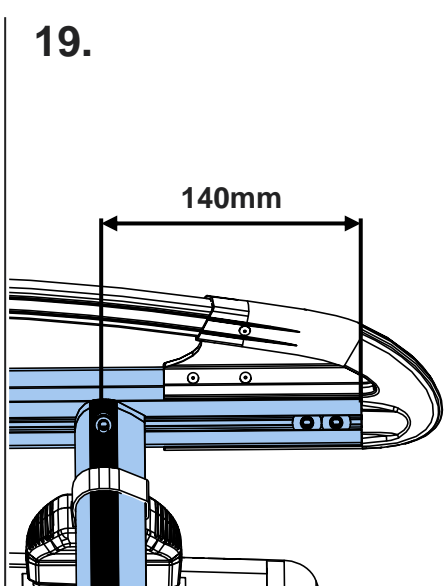
17.

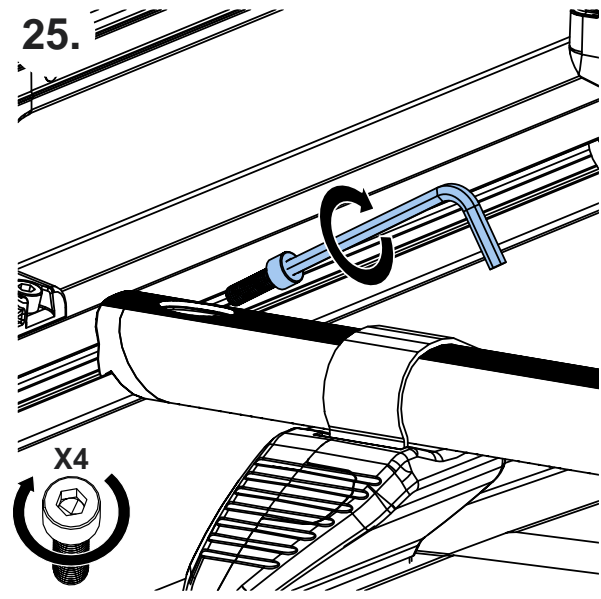
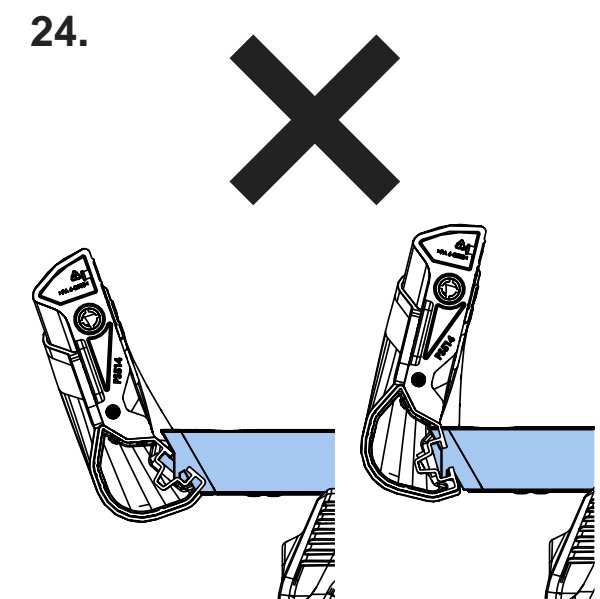
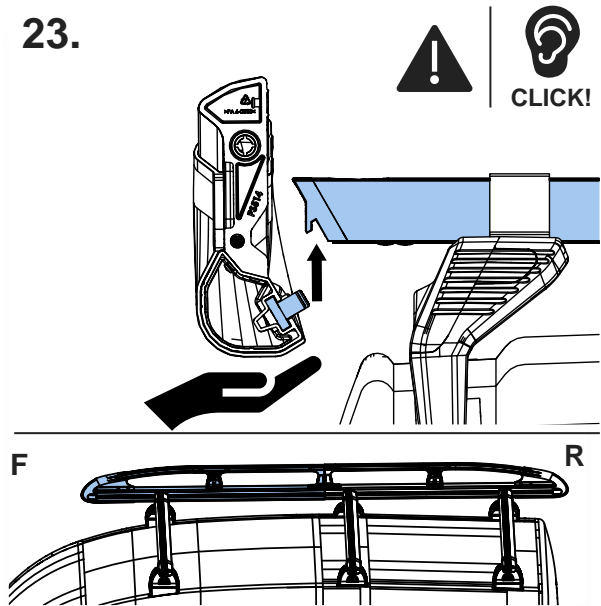
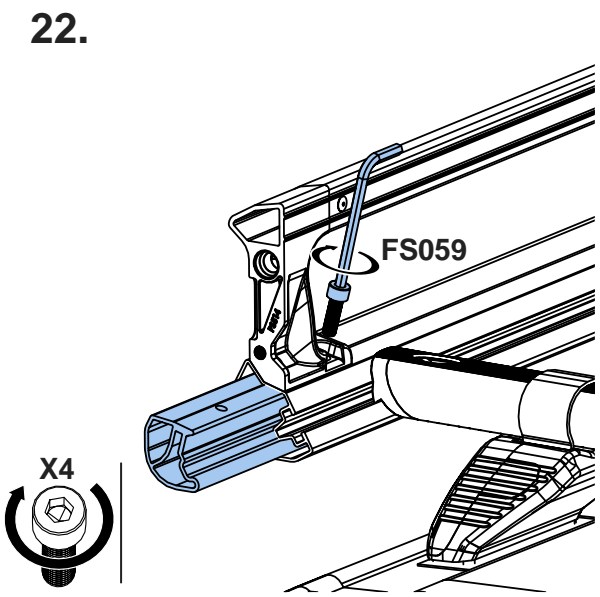
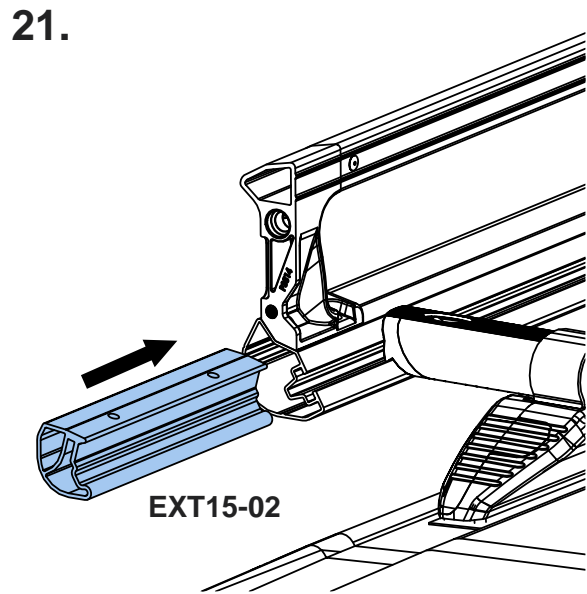
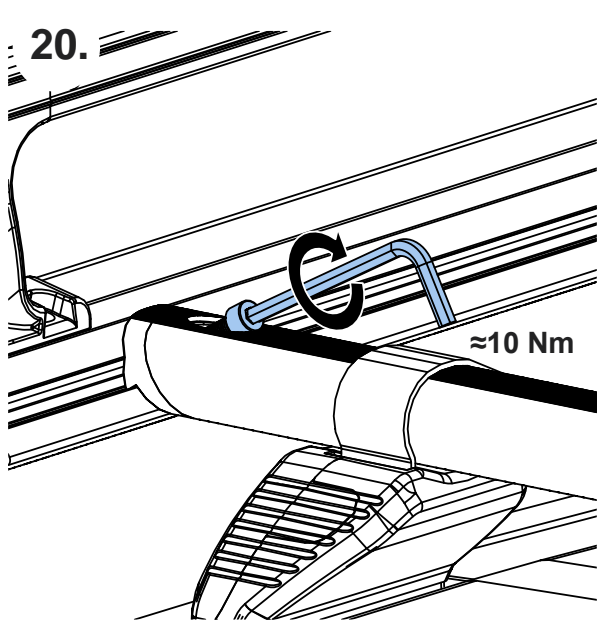


18.

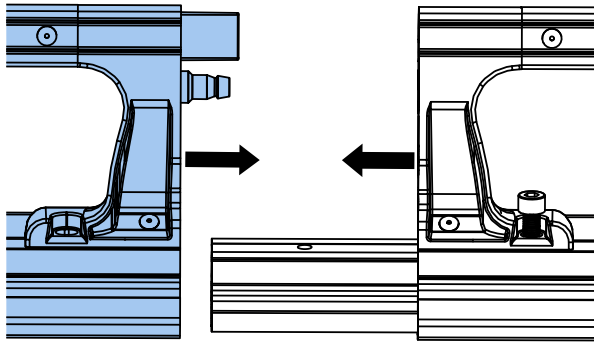


19.

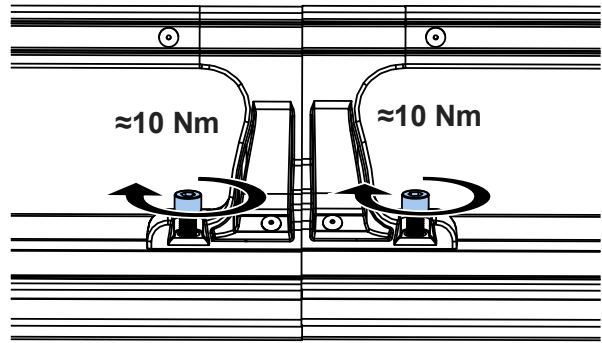




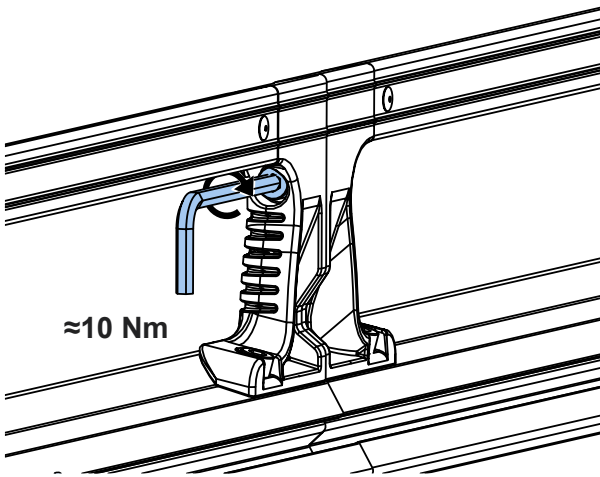
26.



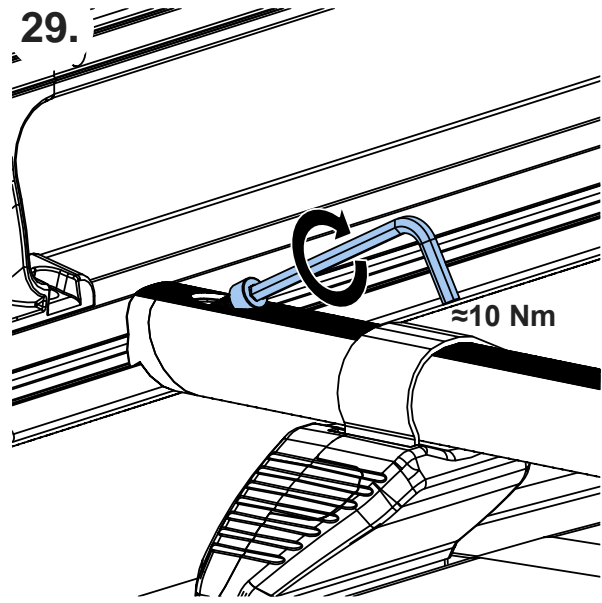
27.



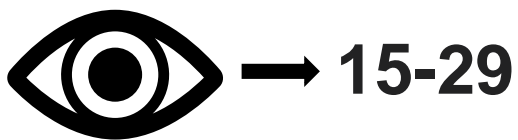
28.



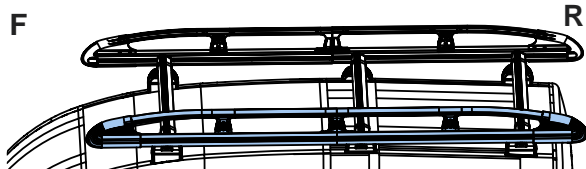
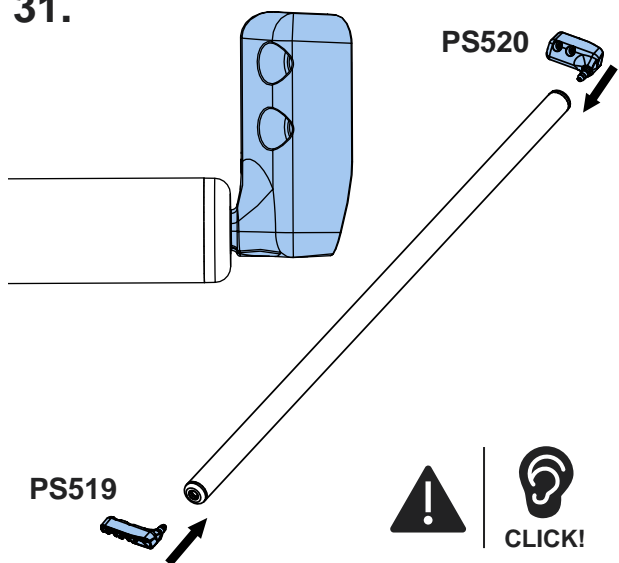
29.



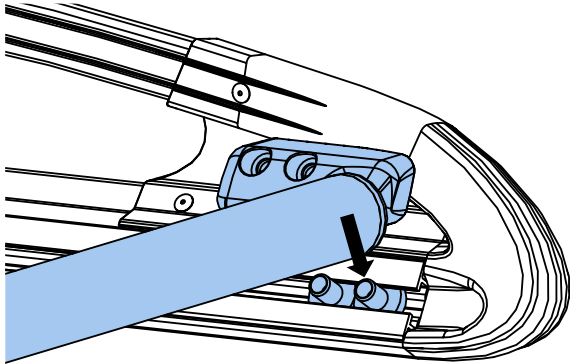
30.



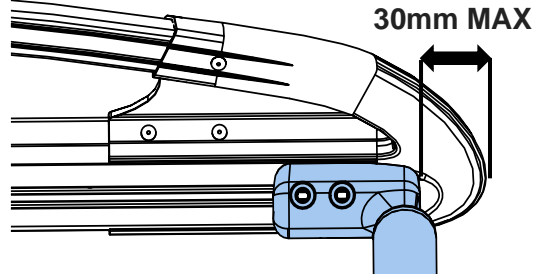
31.



32.

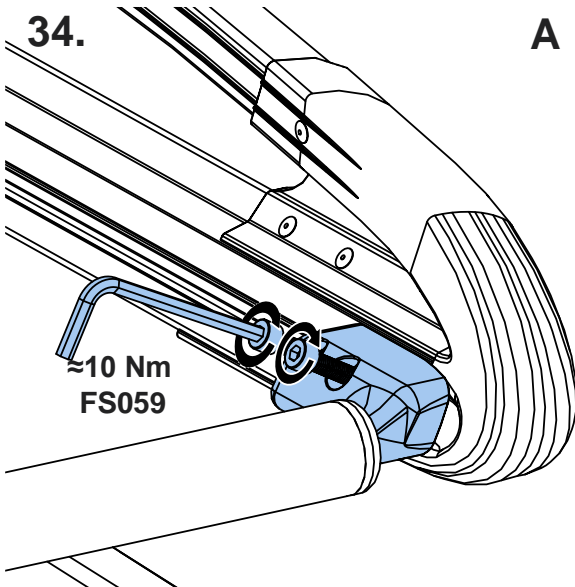


33.

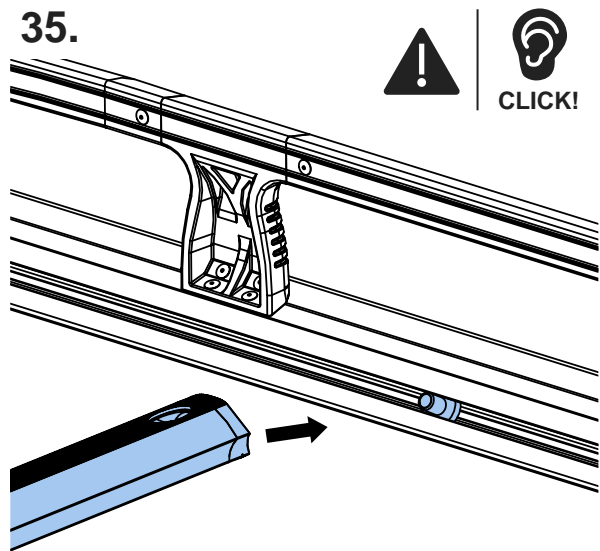


34.

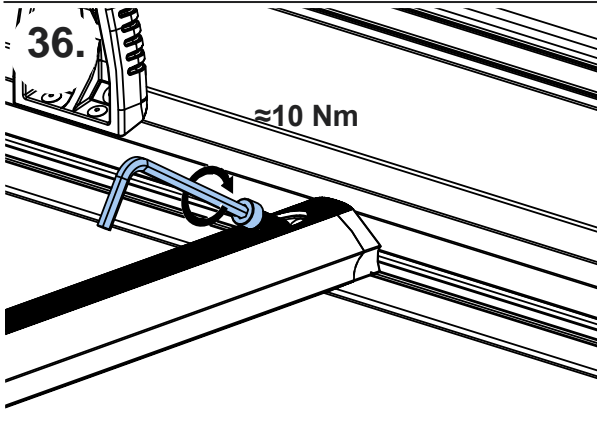
A



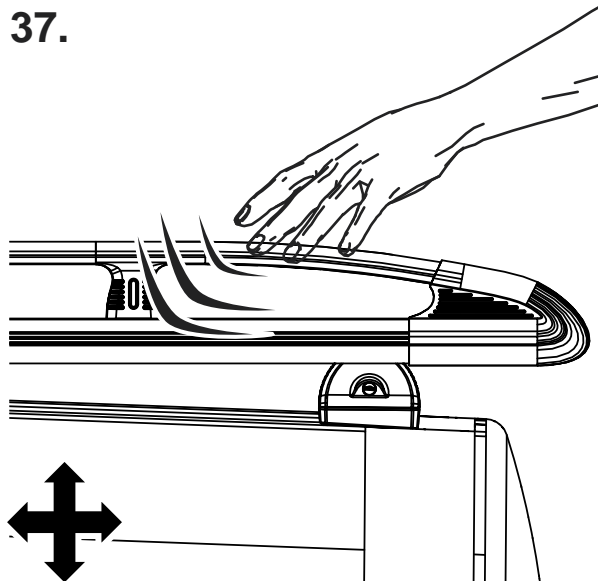
35.



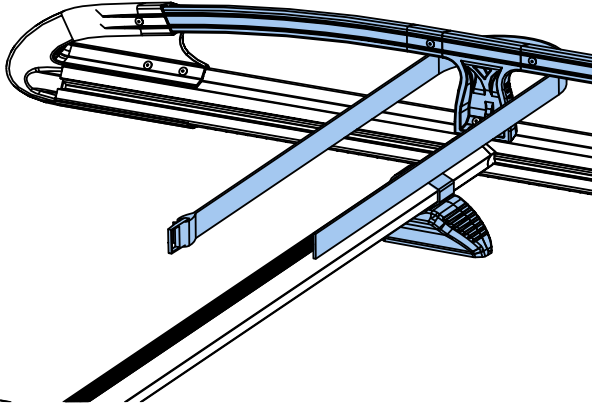
36.



37.



38.



39.

