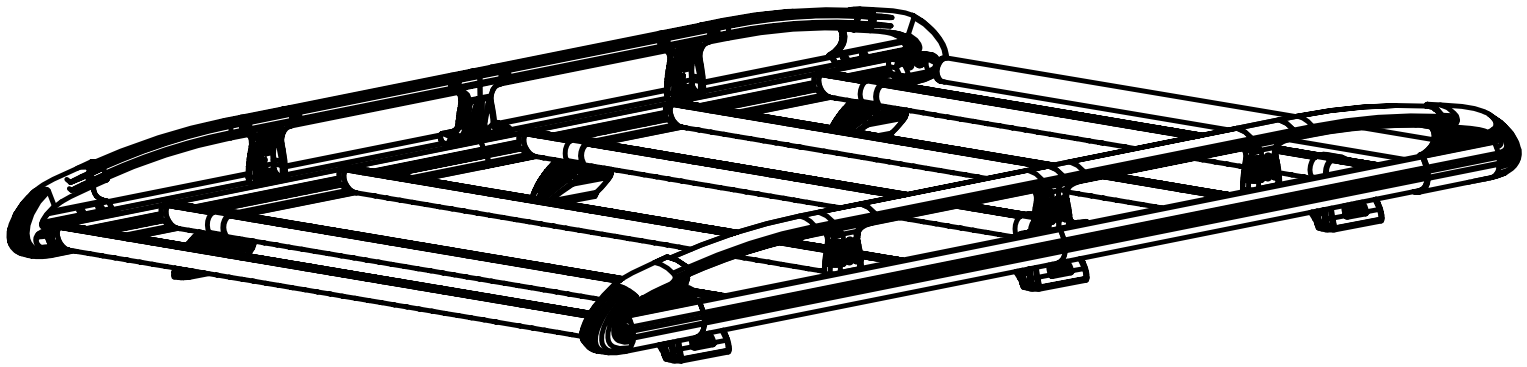


# RA4KR

# KammRack

## Instructions

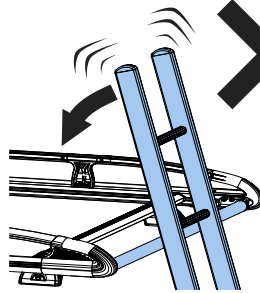
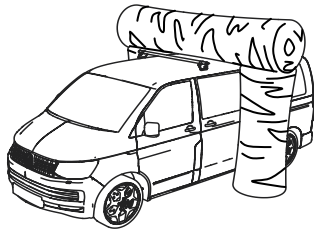
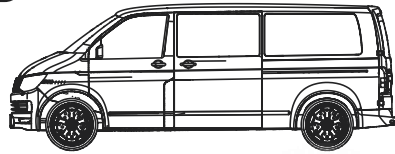


**CITY CRASH** (✓)

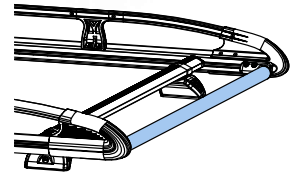
According to ISO/ PAS 11154:2006

**RA4KR:**

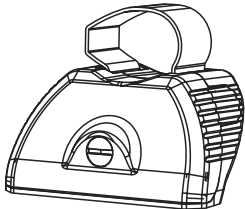
**MERCEDES** Vito 2003-



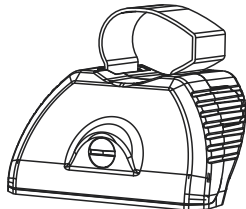
**Max**  
50kg/110lbs



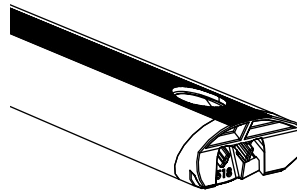
## KammRack



**SA397U x 4**



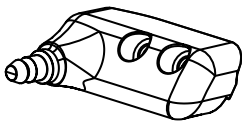
**SA398U x 4**



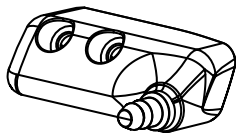
**SA429**



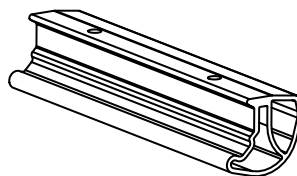
**C04 x 8**  
\*optional upgrade\*



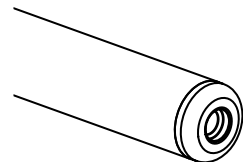
**PS519 x 1**



**PS520 x 1**

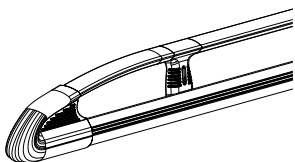


**EXT15-02**

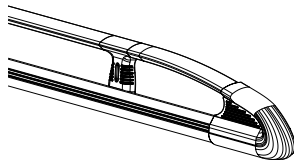


**SA437 x 1**

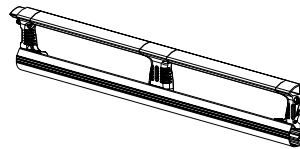
**LHS x 2**



**RHS x 2**

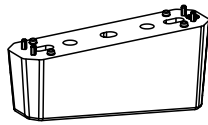


**Centre x 2**

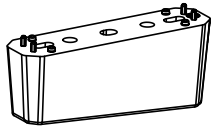


**ASF x 1**

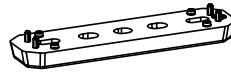
## Fitting Kit



**PS181 x 2**



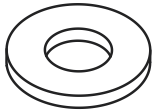
**PS182 x 2**



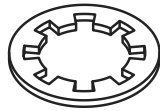
**PS178 x 4**



**PS046 x 8**



**FW001 (M6) x 16**



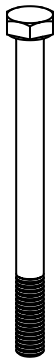
**FW008 (M6) x 16**



**FT01 x 1**



**FT05 x 1**



**FS102  
(M6 x 75) x 2**



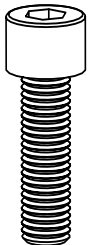
**FS145  
(M6 x 70) x 2**



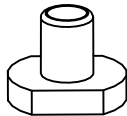
**FB009  
(M6 x 65) x 4**



**FS039  
(M6 x 30) x 8**

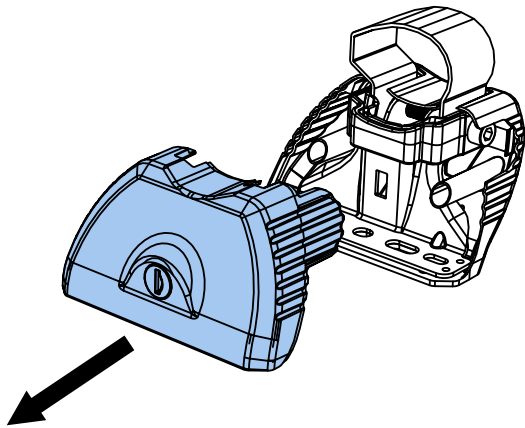


**FS018   
(M8 x 25) x 20**

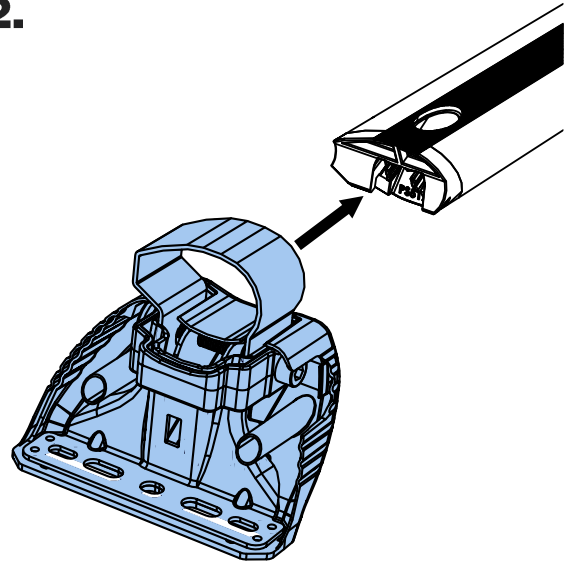


**FN085 x 20**

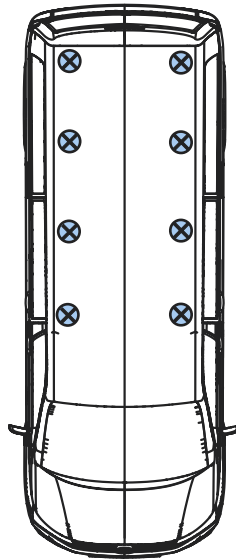
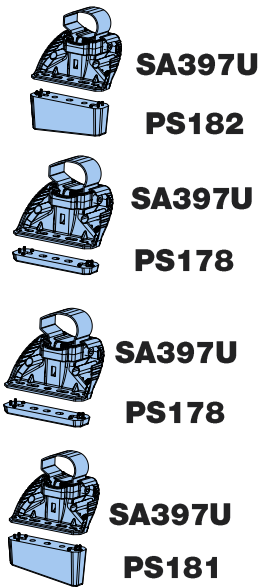
1.



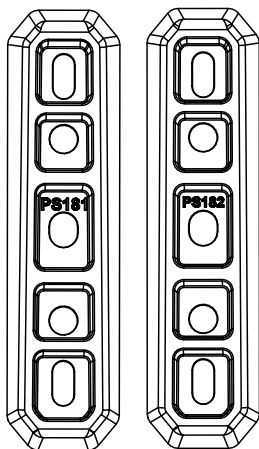
2.



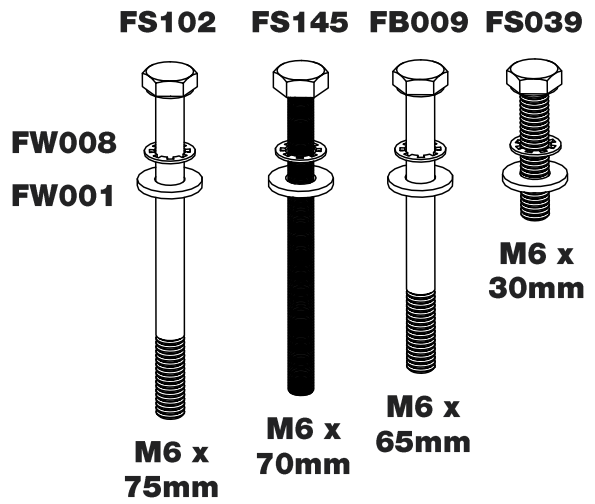
3.

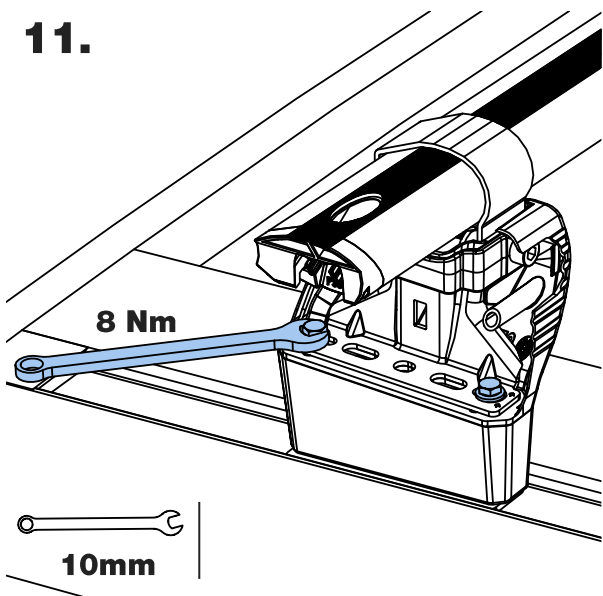
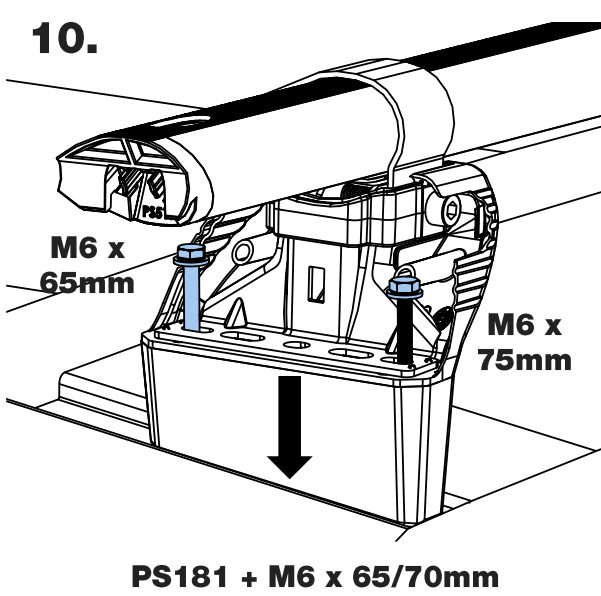
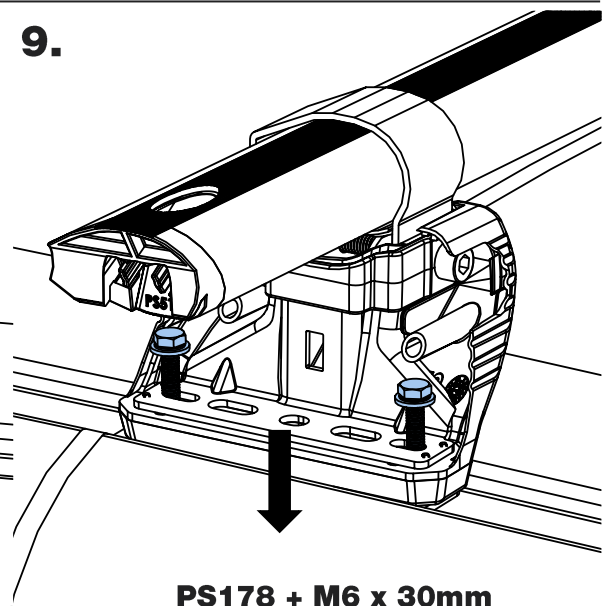
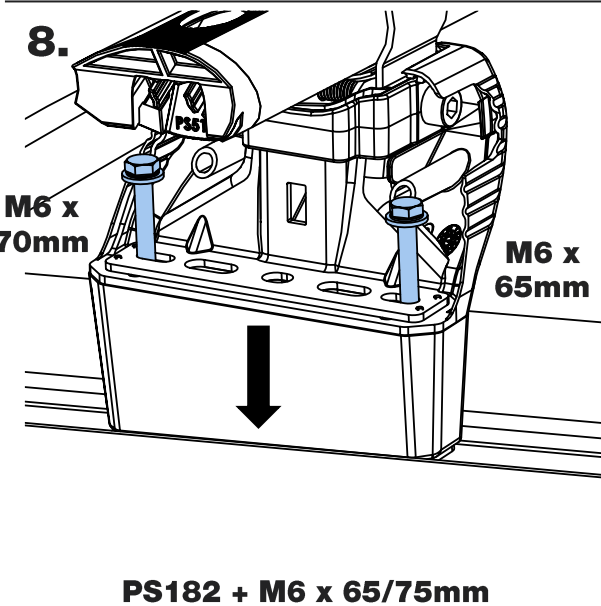
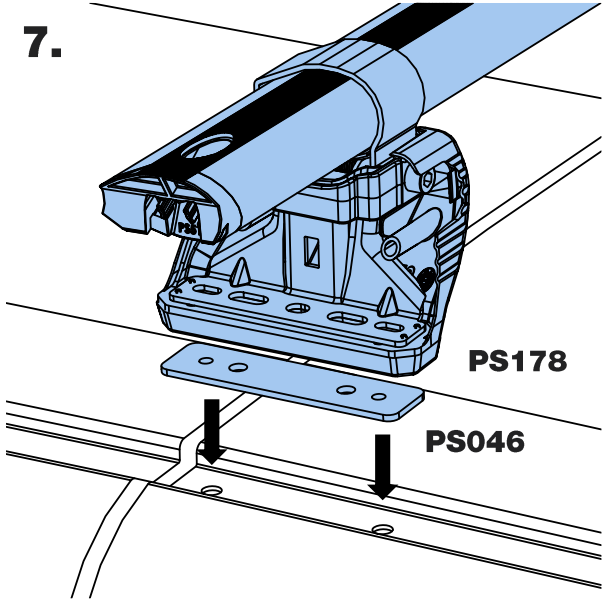
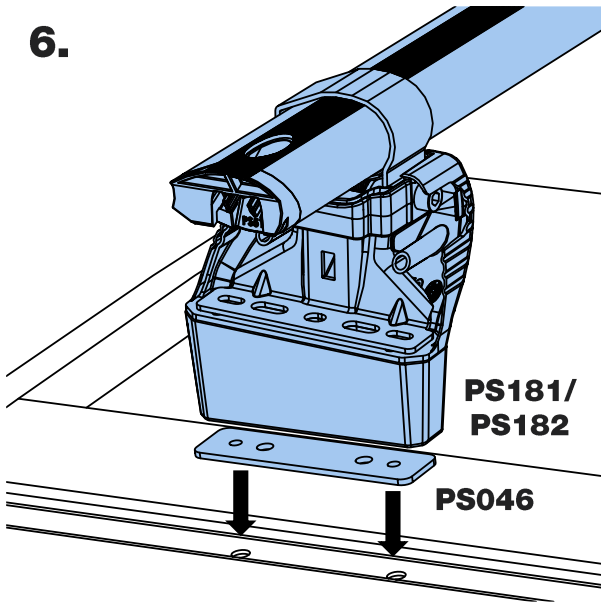


4.

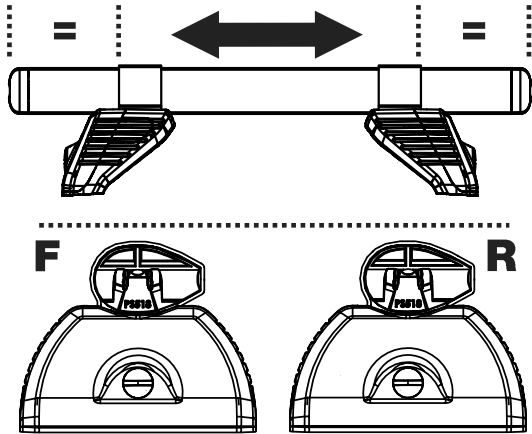


5.

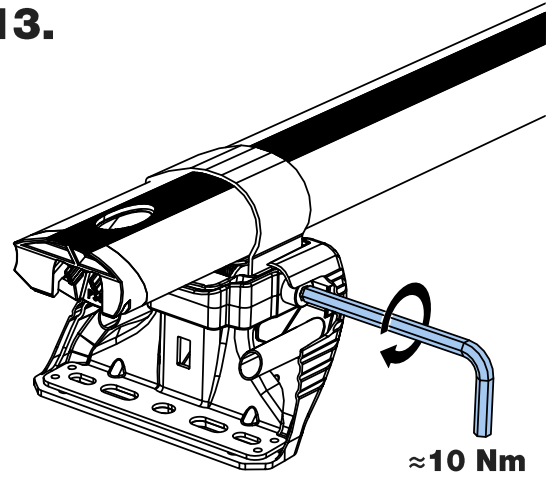




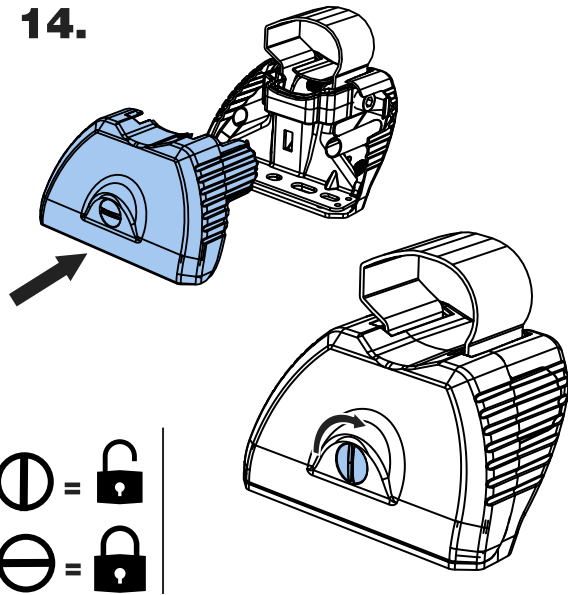
12.



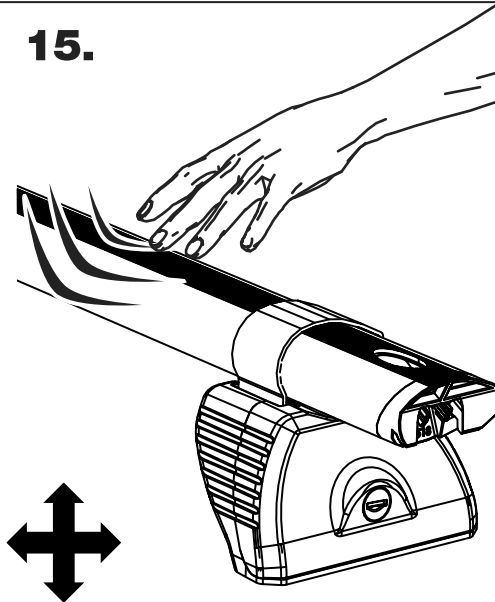
13.



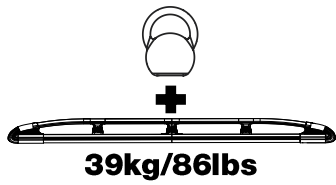
14.



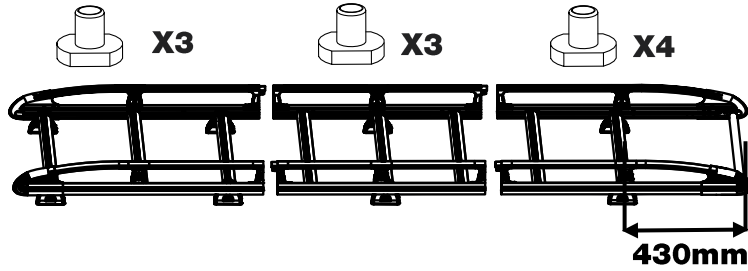
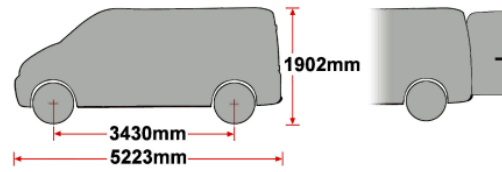
15.



## K515- Vito 2003-2015 L3, H1 Twin Doors



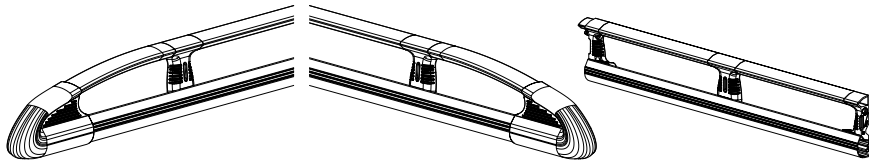
150kg  
Max



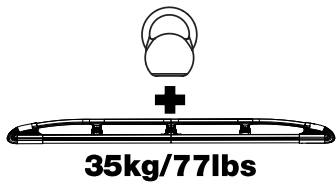
Steps 16-37, 54-63



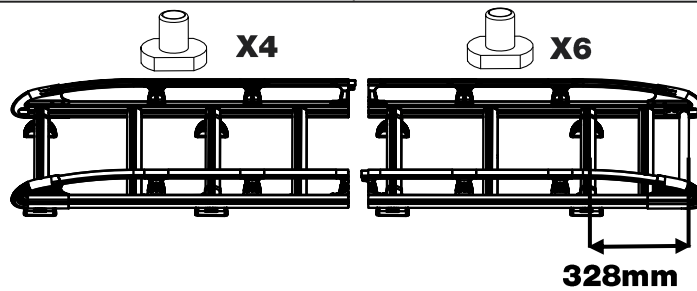
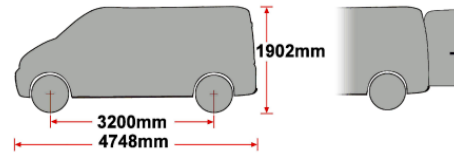
**A**



## K511- Vito 2003-2015 L1, H1, Twin Doors



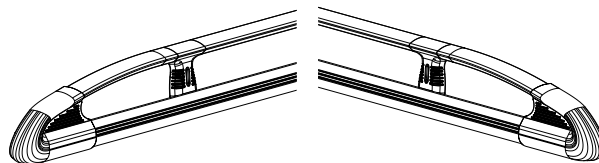
150kg  
Max



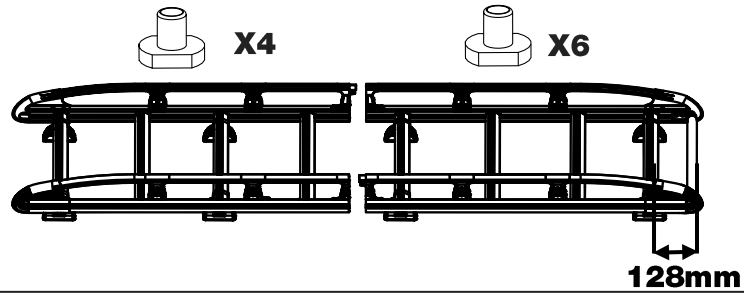
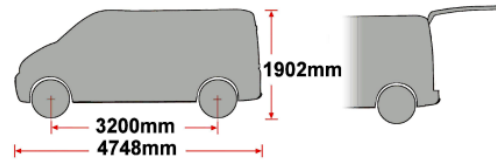
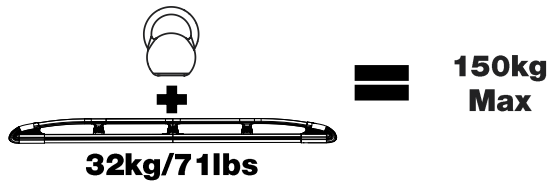
Steps 38-63



**B**

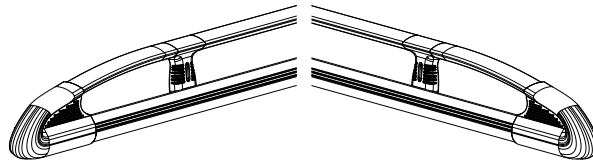


## K512- Vito 2003-2015 L1, H1, Tailgate

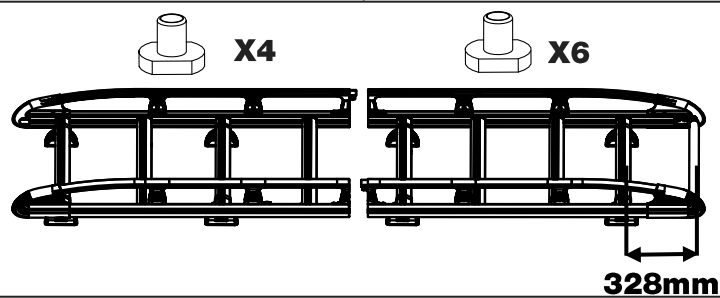
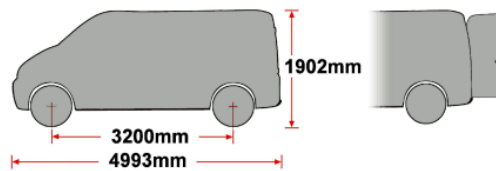
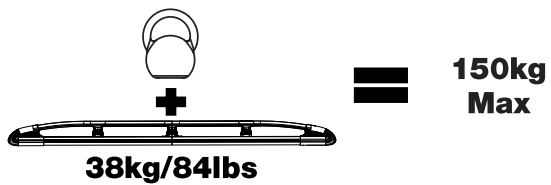


Steps 38-63  

**B**

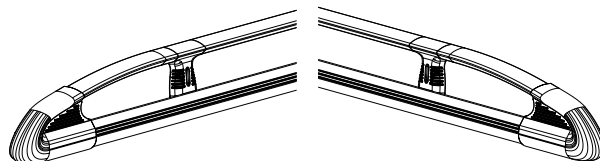


## K513- Vito 2003-2015 L2, H1, Twin Doors



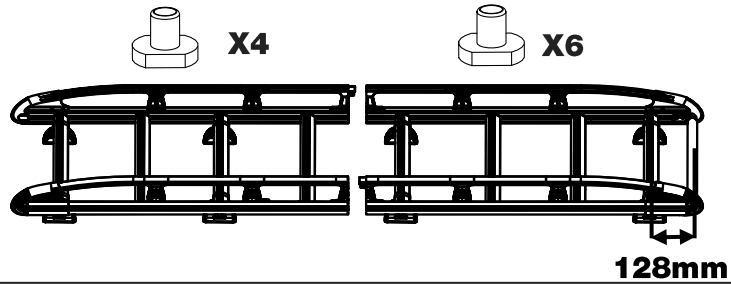
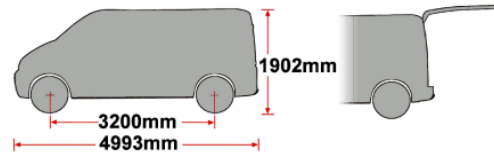
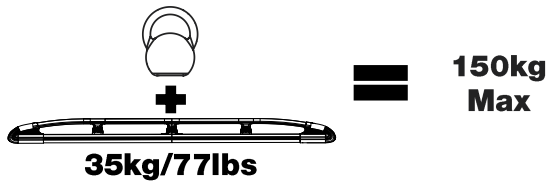
Steps 38-63  

**B**





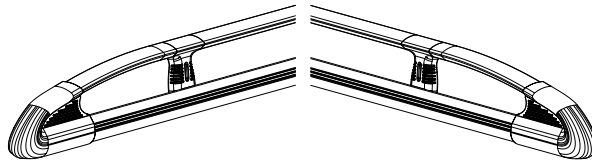
## K511- Vito 2003-2015 L2, H1, Tailgate



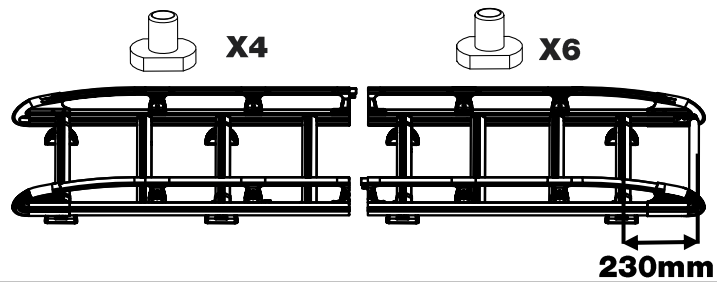
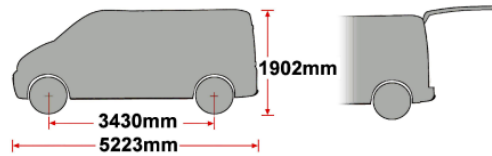
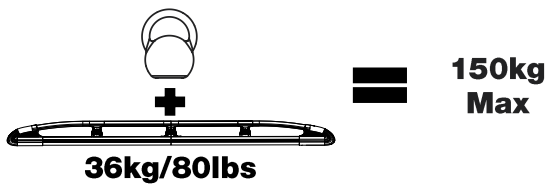
**Steps 38-63**



**B**



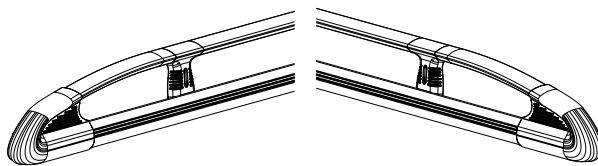
## K513- Vito 2003-2015 L3, H1, Tailgate



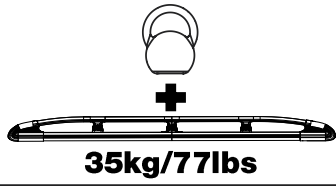
**Steps 38-63**



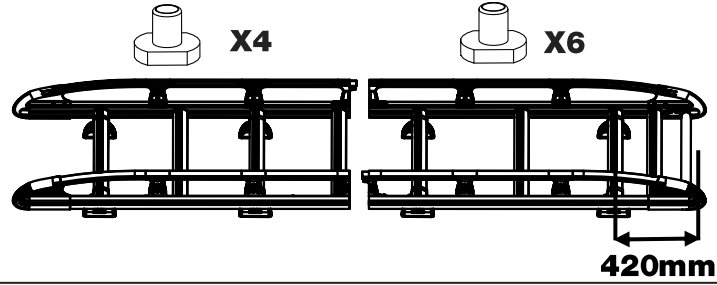
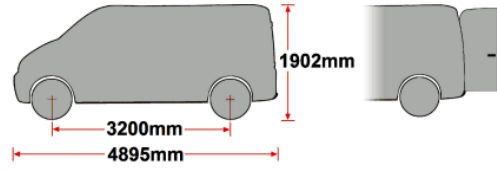
**B**



## K513- Vito 2015- L1, H1, Twin Doors



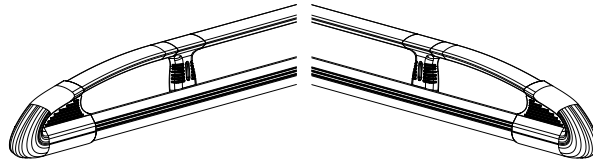
**150kg  
Max**



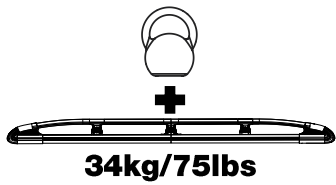
**Steps 38-63**



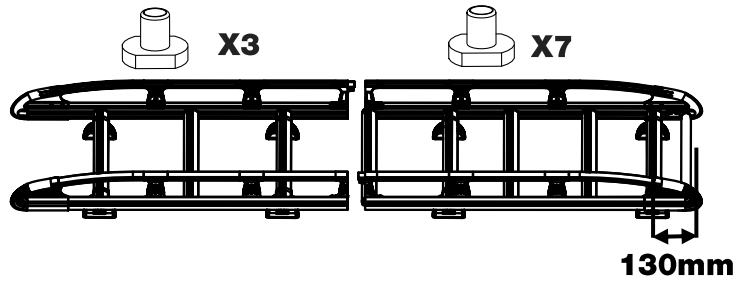
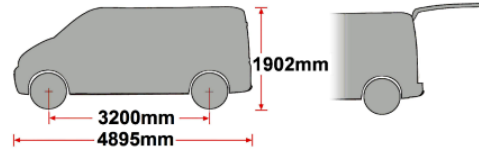
**B**



## K512- Vito 2015- L1, H1, Tailgate



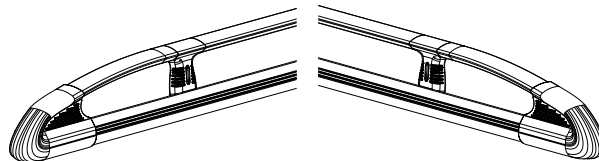
**150kg  
Max**



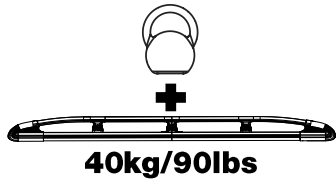
**Steps 38-63**



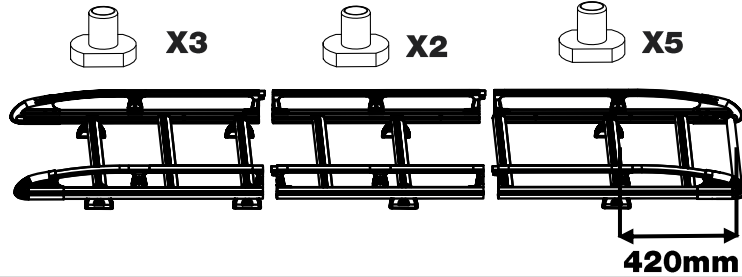
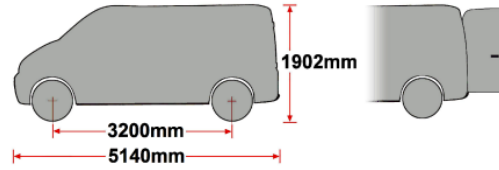
**B**



## K515- Vito 2015- L2, H1, Twin Doors

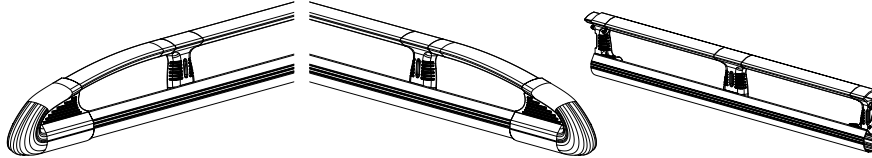


150kg  
Max

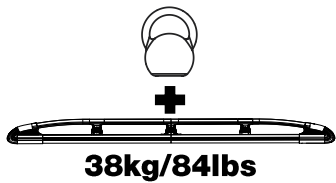


Steps 16-37, 54-63  

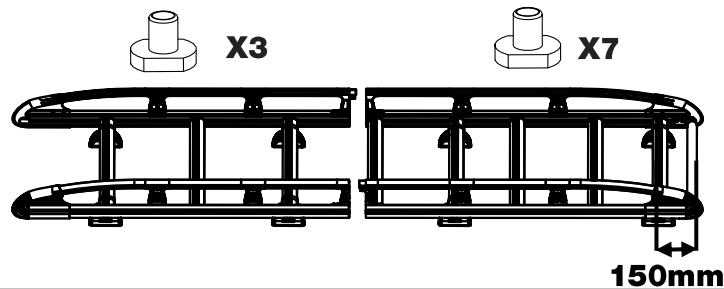
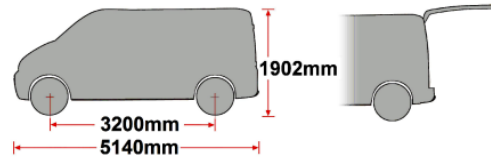
**A**



## K511- Vito 2015- L2, H1, Tailgate

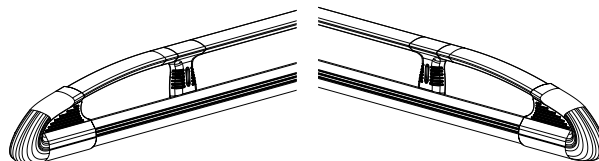


150kg  
Max

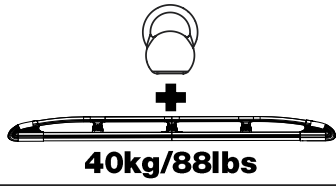


Steps 38-63  

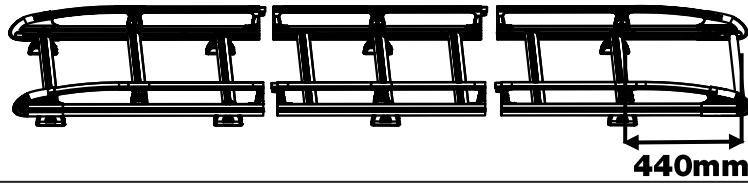
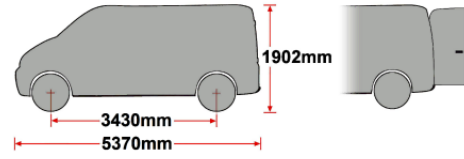
**B**





## K515- Vito 2015- L3, H1, Twin Doors

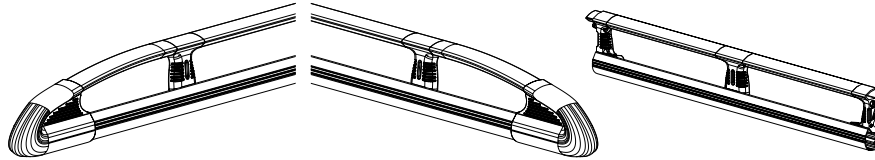


150kg  
Max

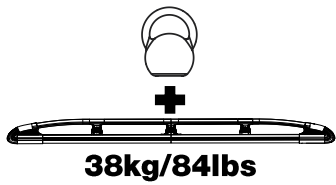


Steps 16-37, 54-63  

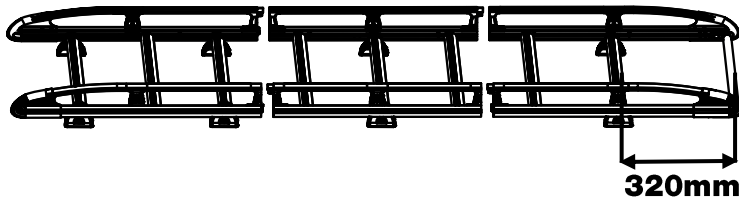
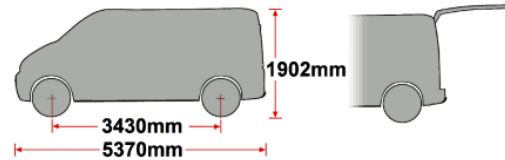
**A**



## K515- Vito 2015- L3, H1, Tailgate

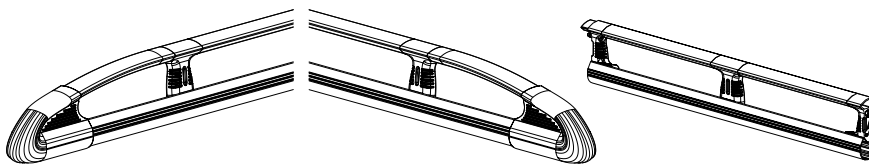


150kg  
Max

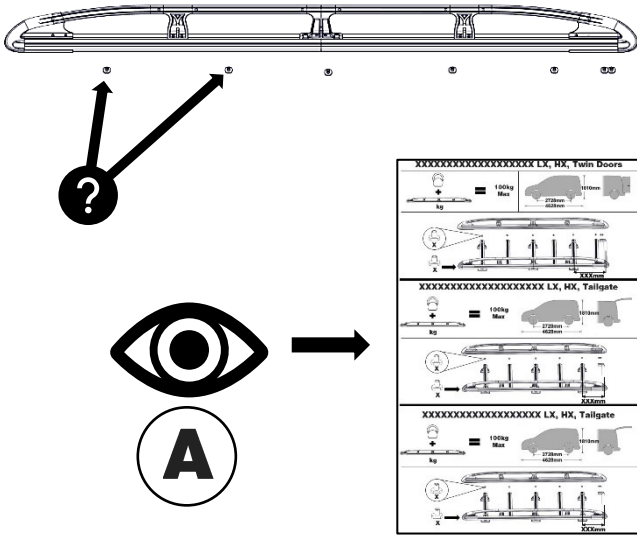


Steps 16-37, 54-63  

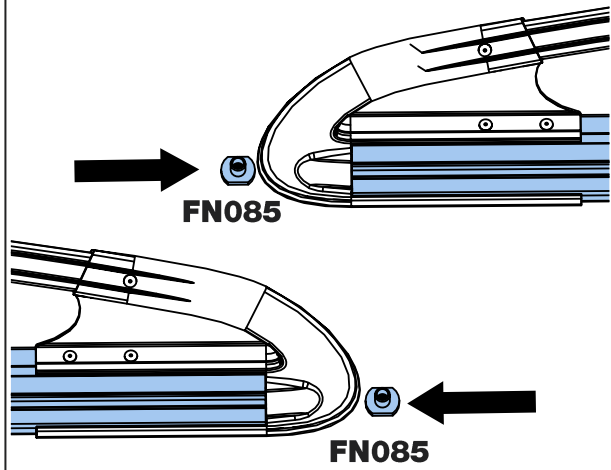
**A**



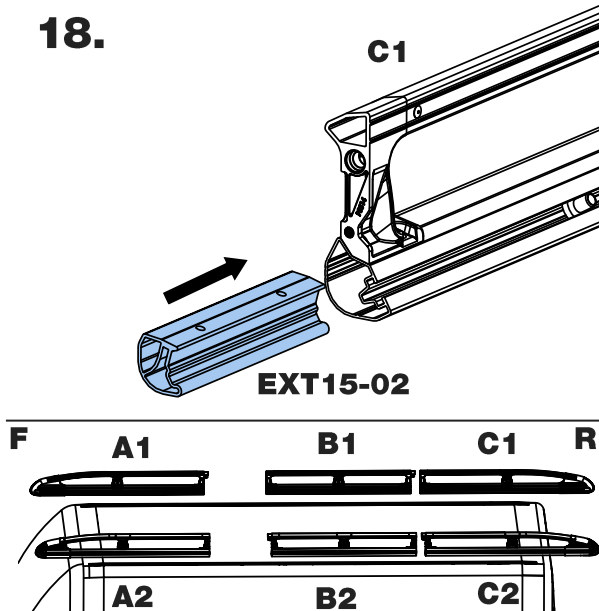
16.



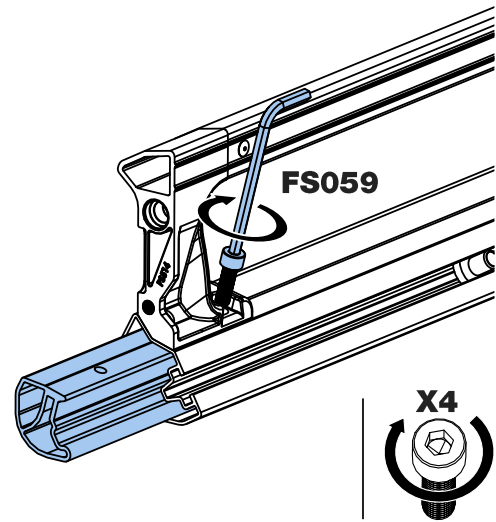
17.



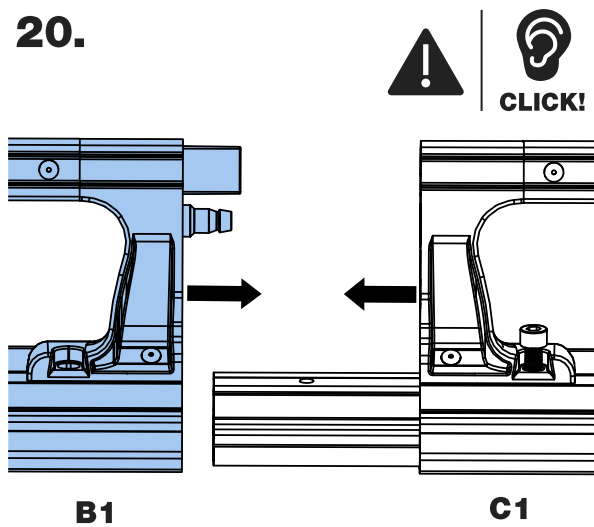
18.



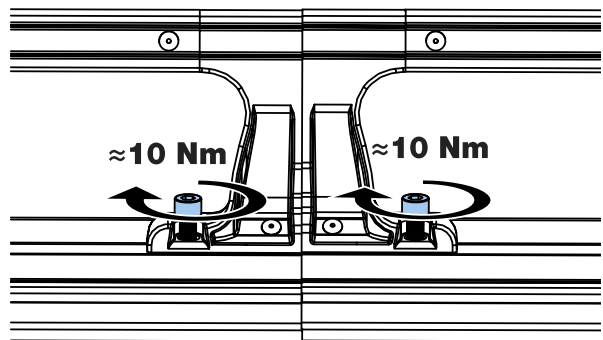
19.



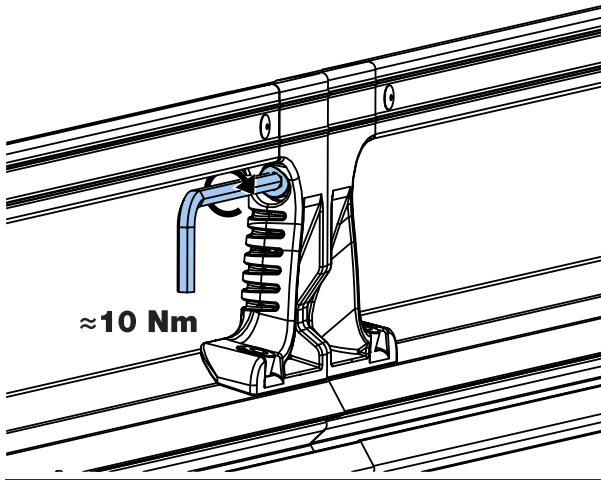
20.



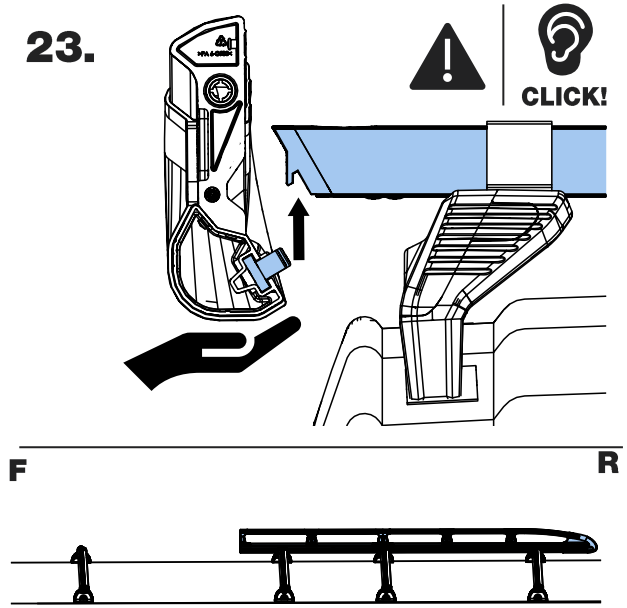
21.



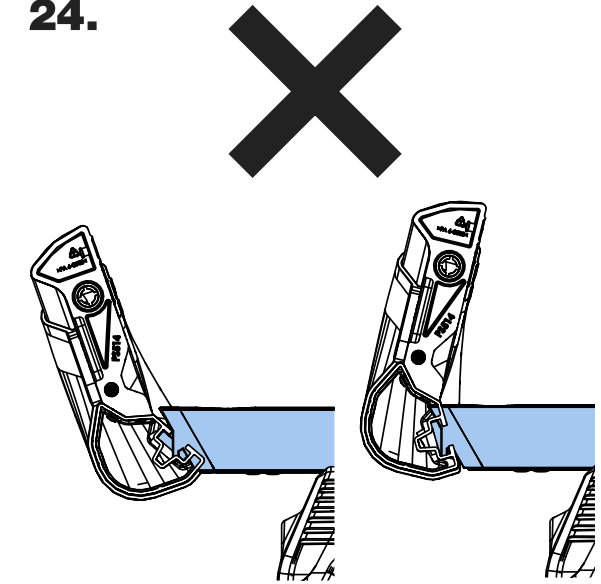
22.



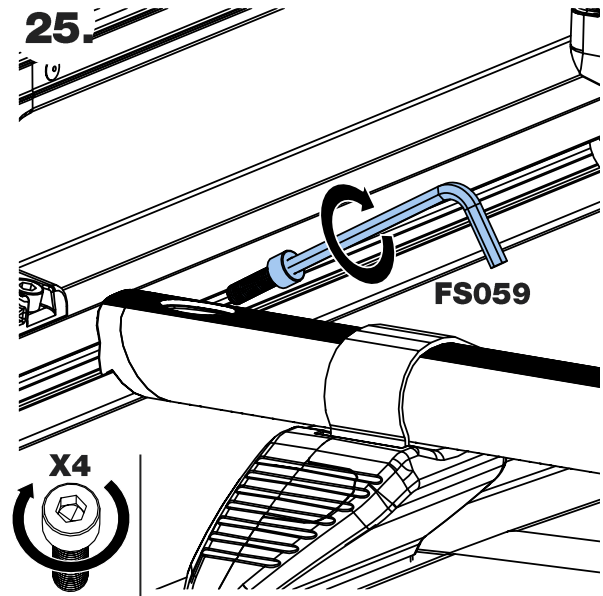
23.



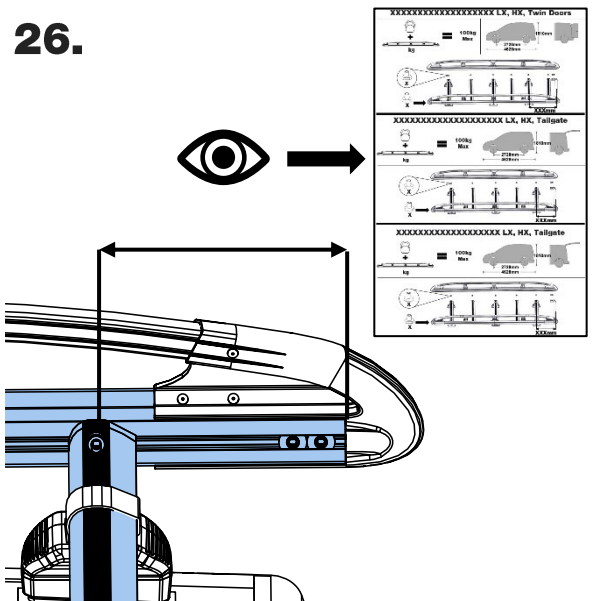
24.



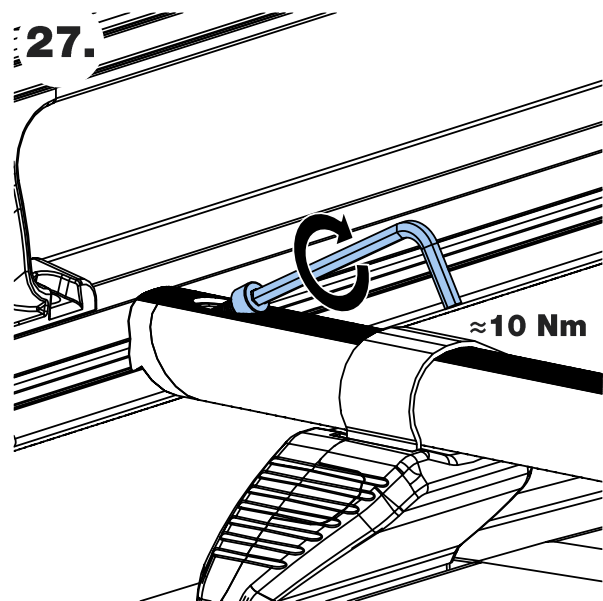
25.



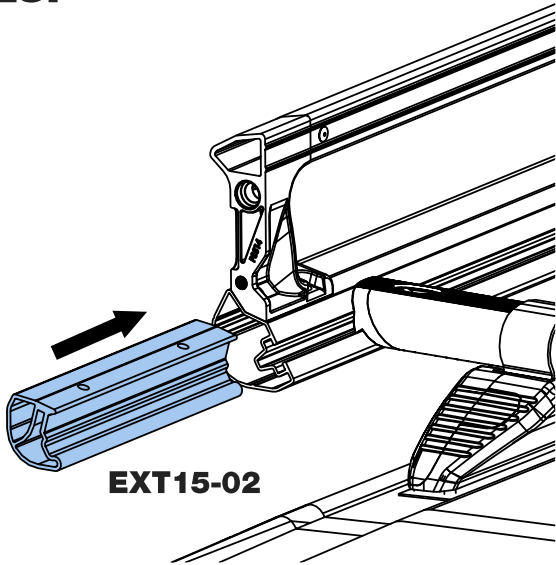
26.



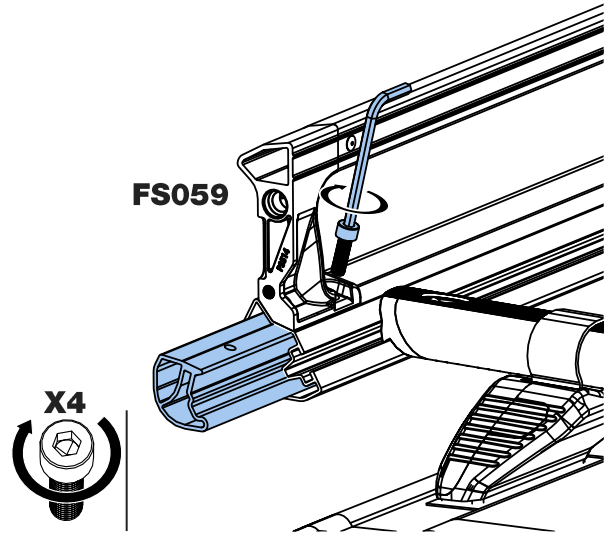
27.



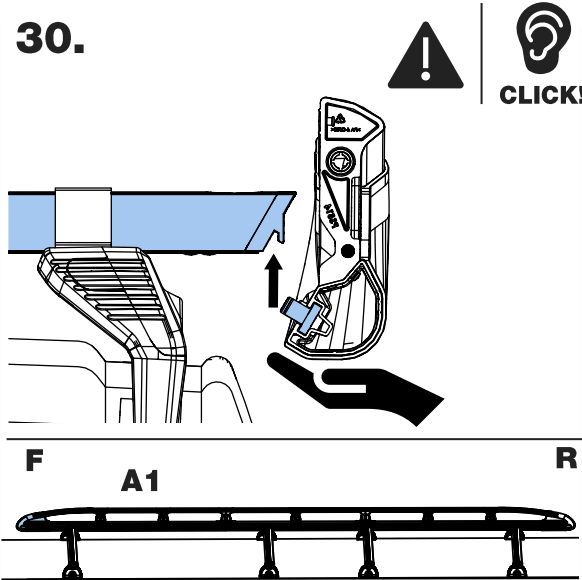
28.



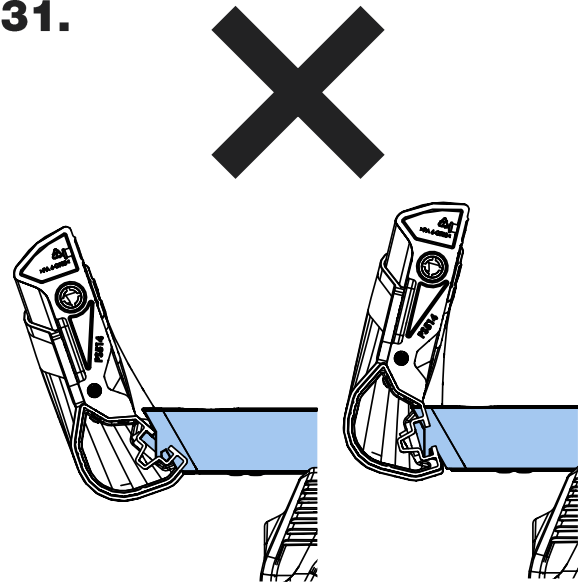
29.



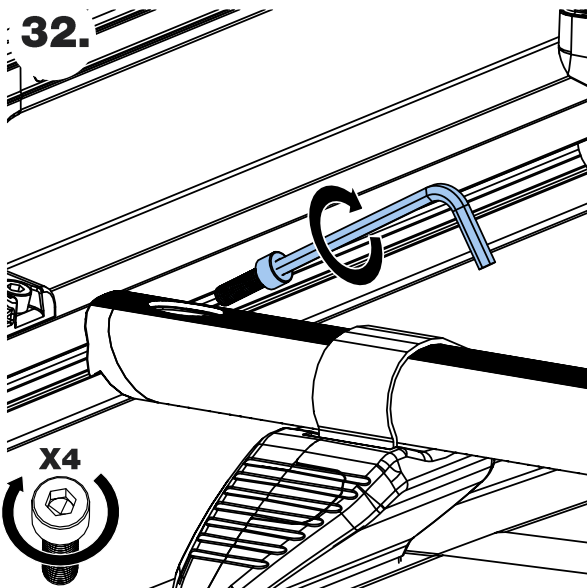
30.



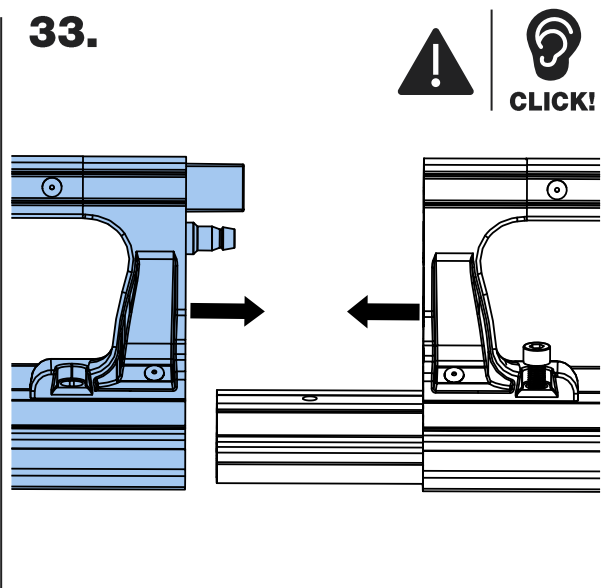
31.



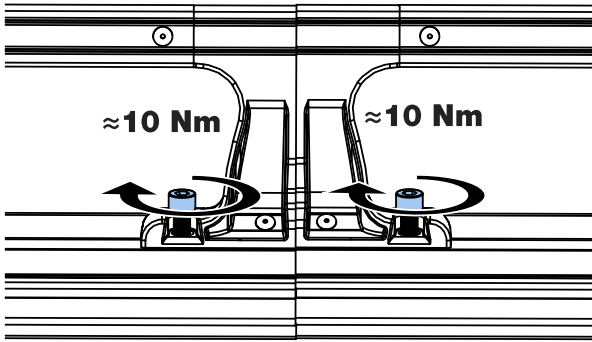
32.



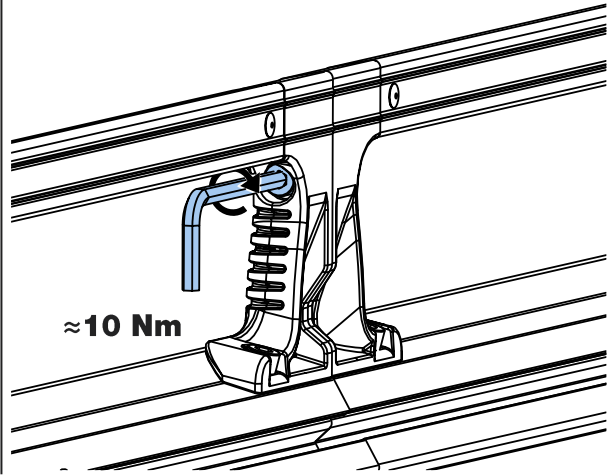
33.



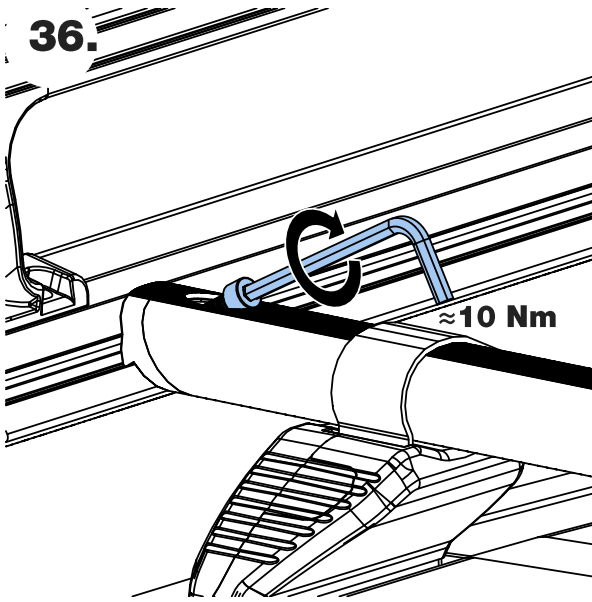
34.



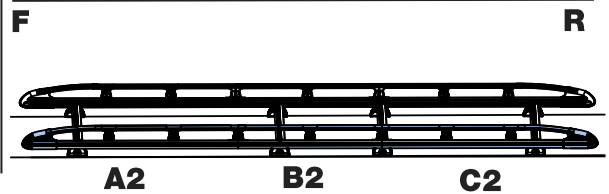
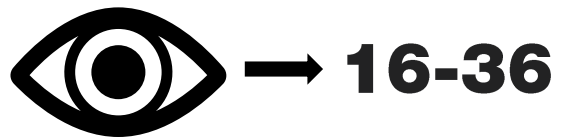
35.



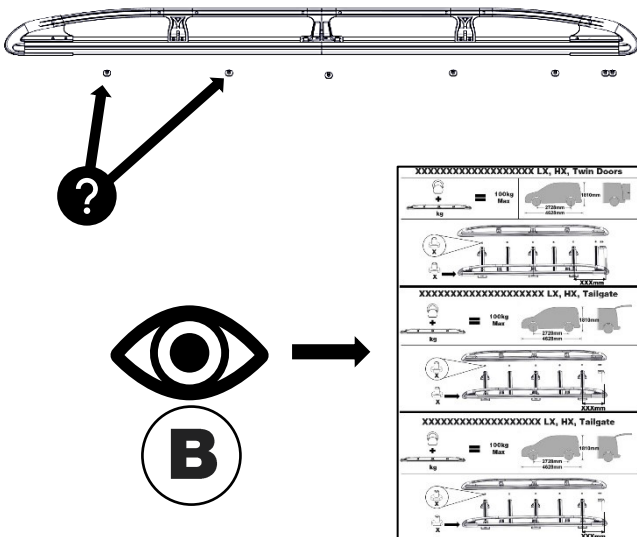
36.



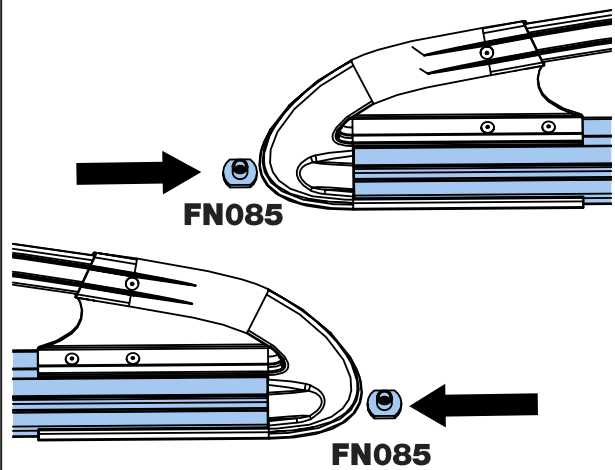
37.



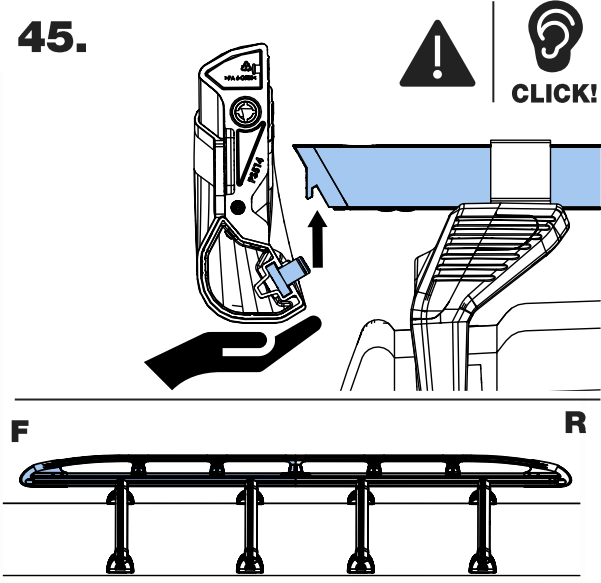
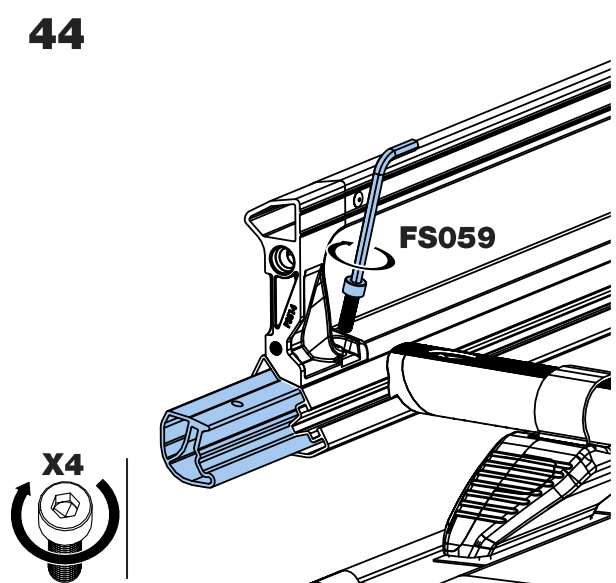
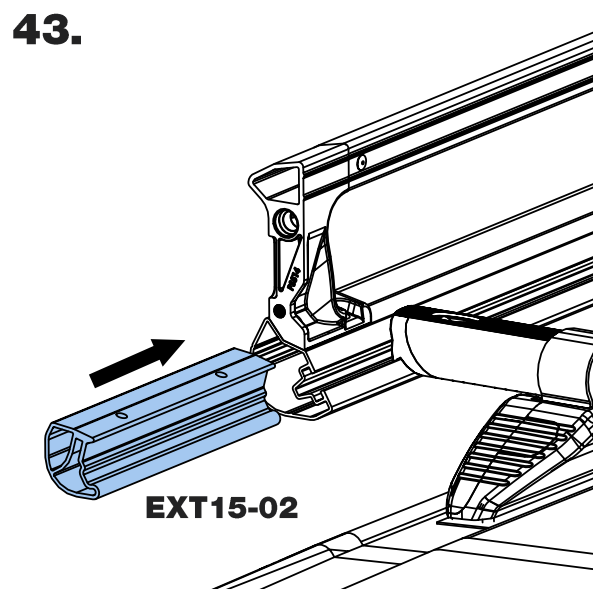
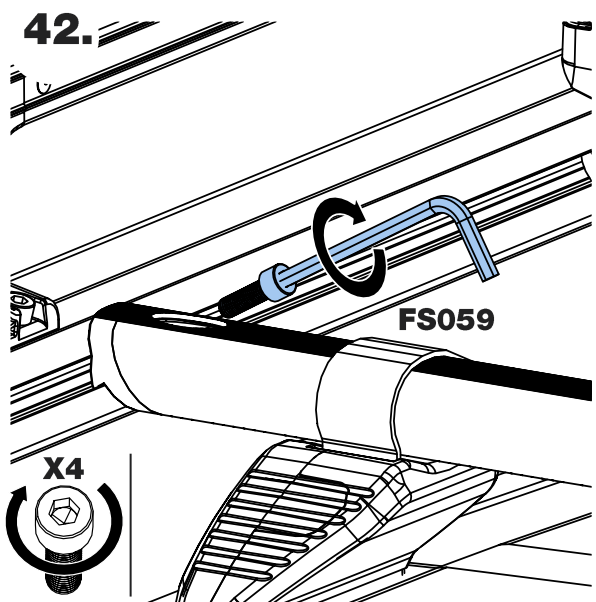
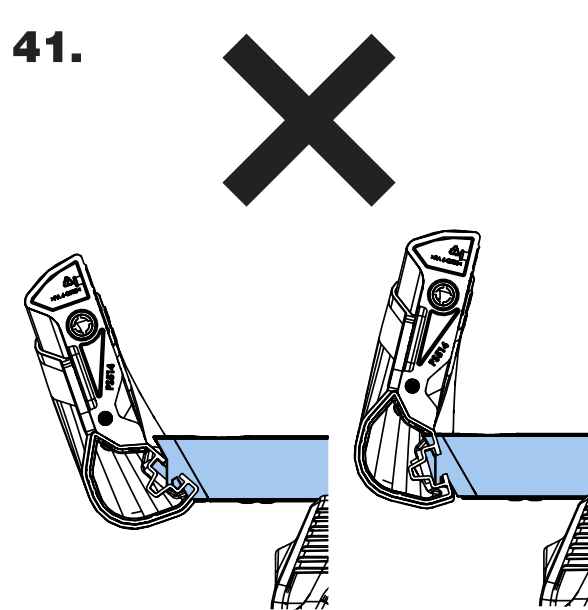
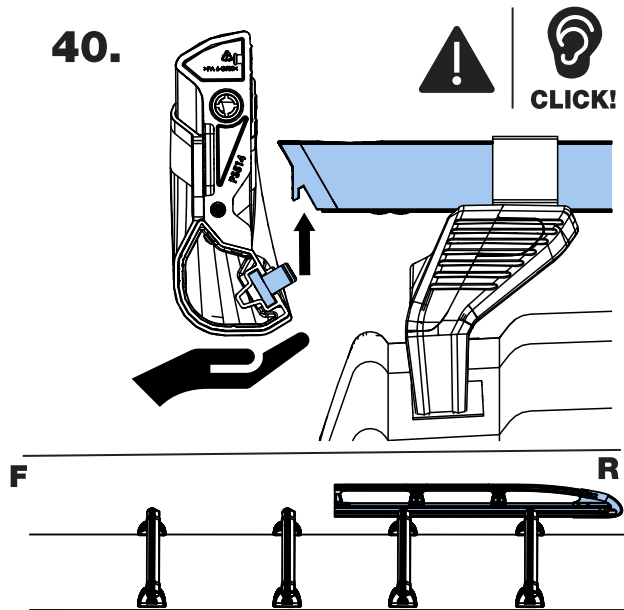
38.



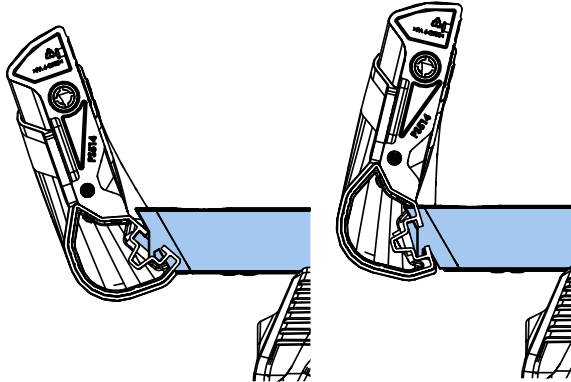
39.



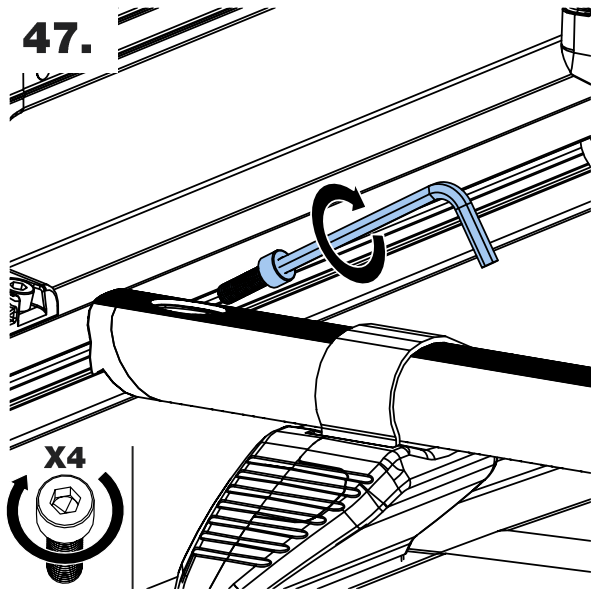




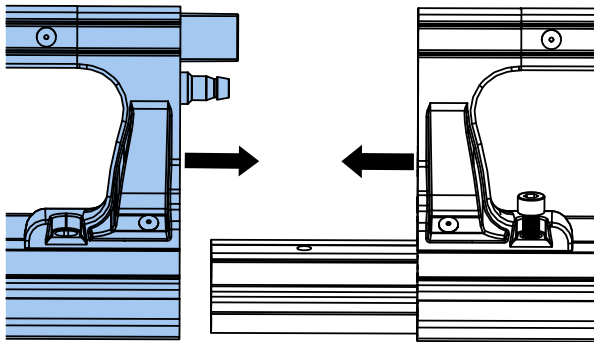
46.



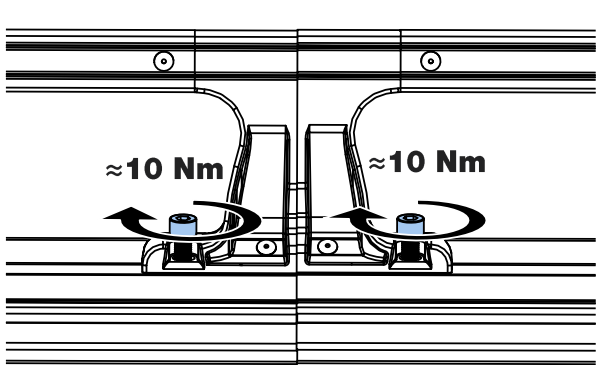
47.



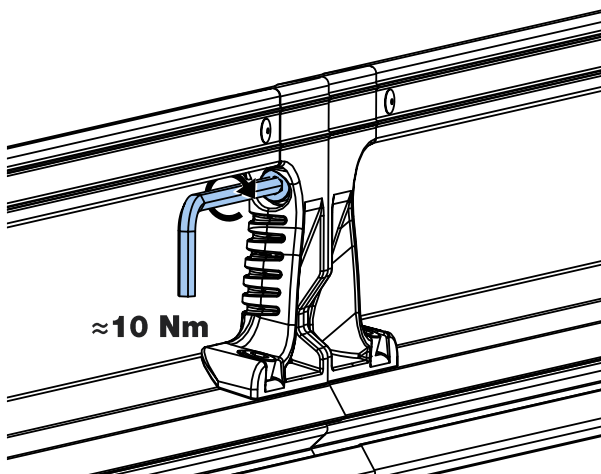
48.



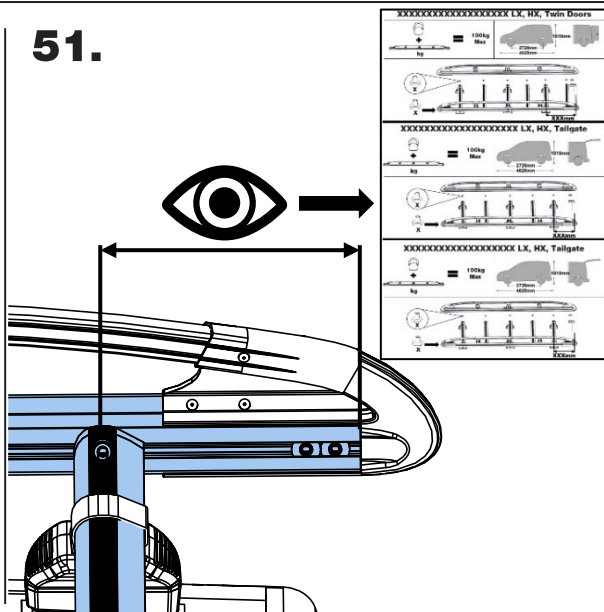
49.

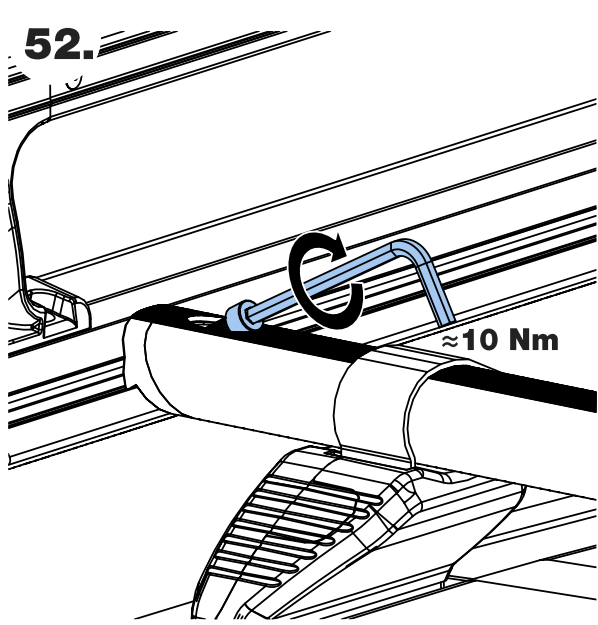


50.

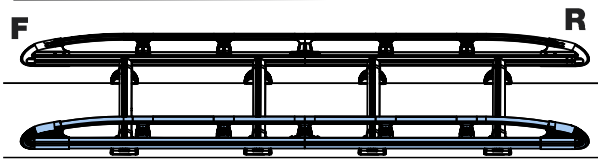
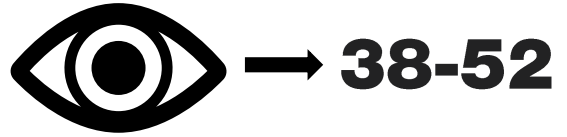


51.

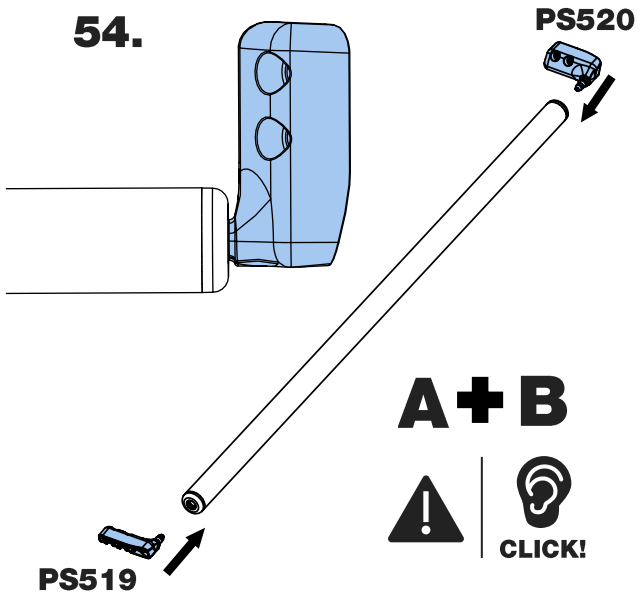




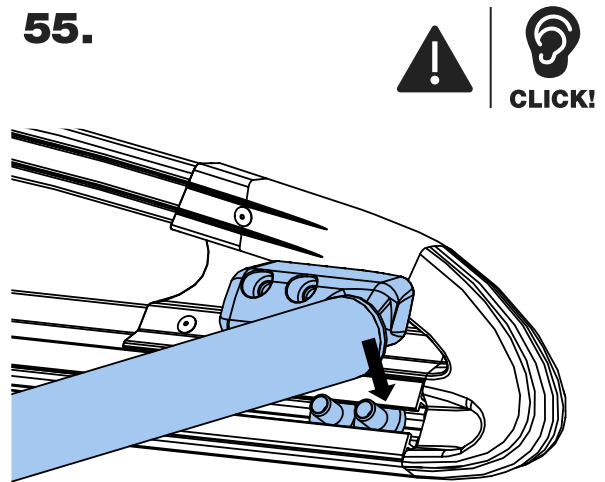
**53.**



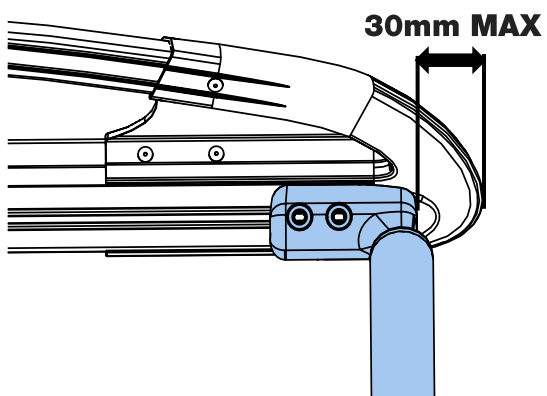
**54.**



**55.**



**56.**



**57.**

