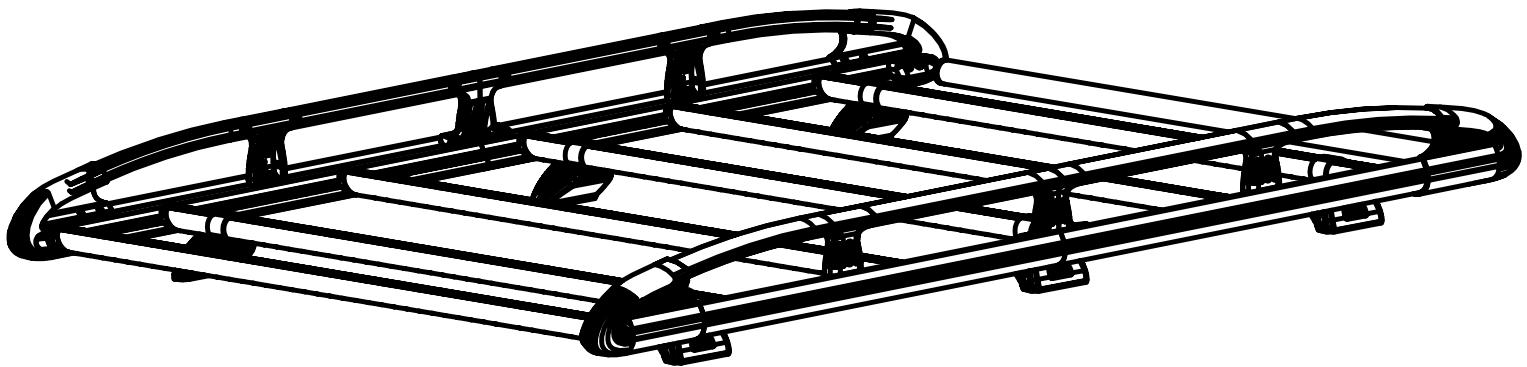


MC3KR

KammRack

Instructions

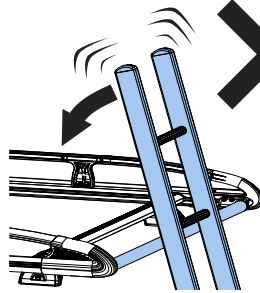
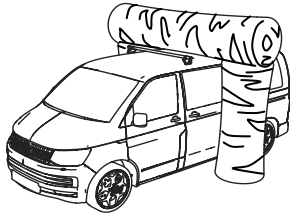
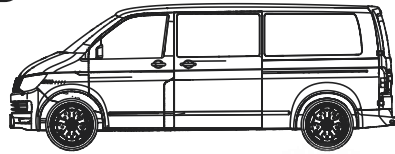


CITY CRASH (✓)

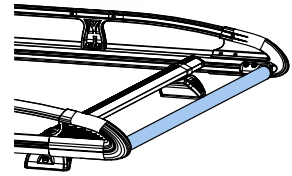
According to ISO/ PAS 11154:2006

MC3KR:

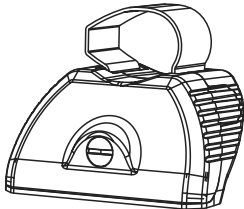
MERCEDES Sprinter 2006-
VW Crafter 2006-2017-
VW Crafter 2017-



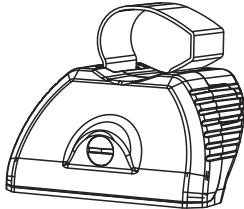
Max
50kg/110lbs



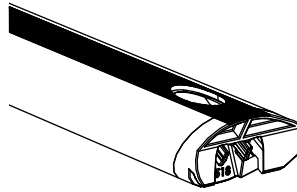
KammRack



SA397U x 3



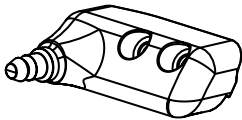
SA398U x 3



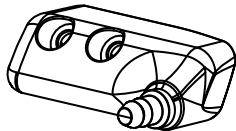
**SA430/
SA468**



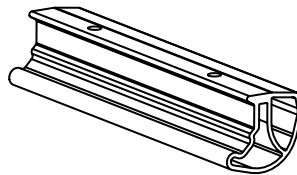
C04 x 6
optional upgrade



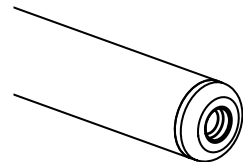
PS519 x 1



PS520 x 1

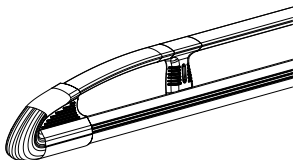


EXT15-02

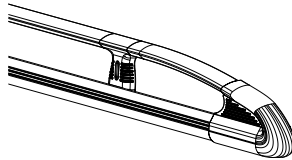


SA438 x 1

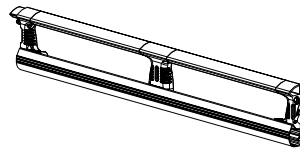
LHS x 2



RHS x 2

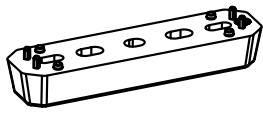


**Centre x 2
(L1, H1 Only)**

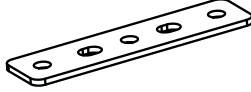


ASF x 1

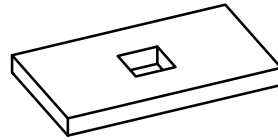
Fitting Kit



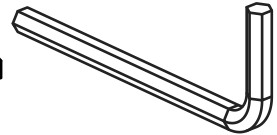
PS183 x 6



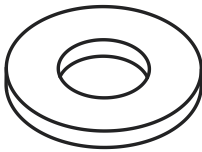
PS023 x 6



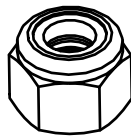
MS209 x 12



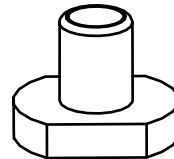
FT01 x 1



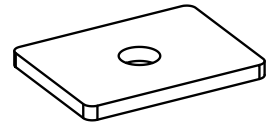
FW002 (M8) x 12



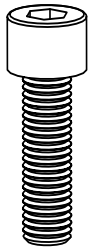
FN006 (M8) x 12



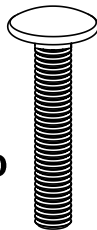
FN085 x 20



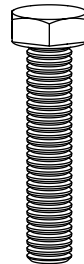
PS020 x 6



FS059
(M8 x 25) x 20



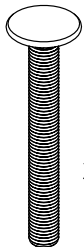
FS134
(M8 x 45)
x 12



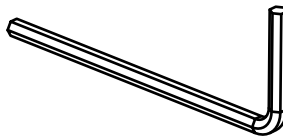
FS081
(M8 x 50) x 6



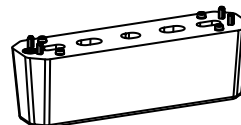
FS107
(M8 x 75)
x 6



FS293
(M8 x 65)
x 12

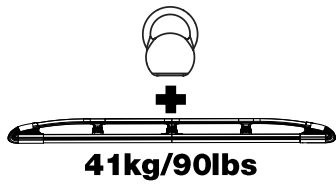


FT05 x 1

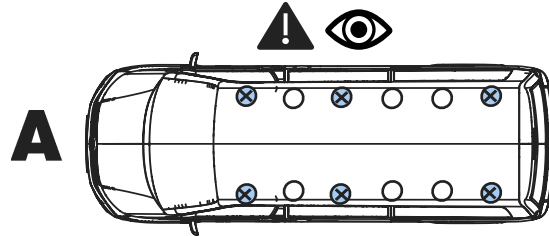
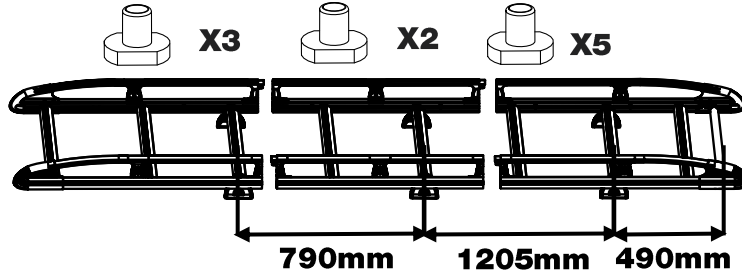
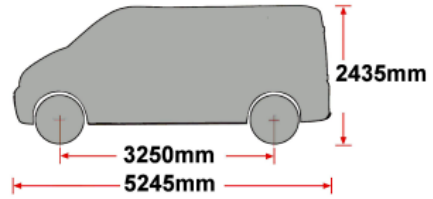


PS325 x 6

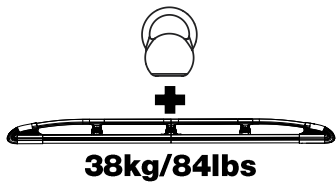
K517/B517- Sprinter/Crafter 2006- L1, H1, Twin Doors



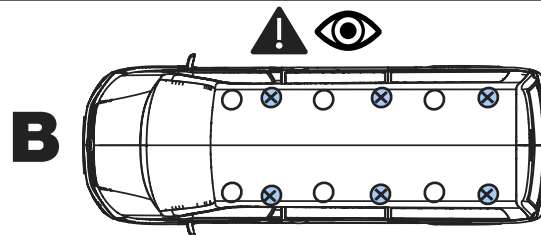
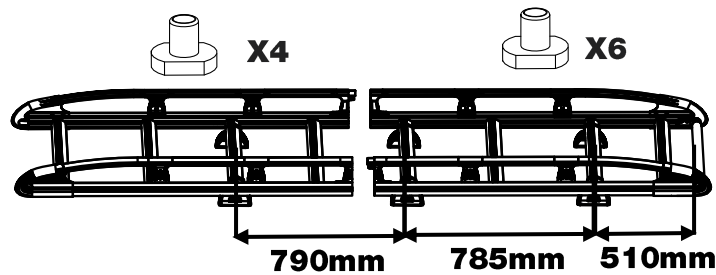
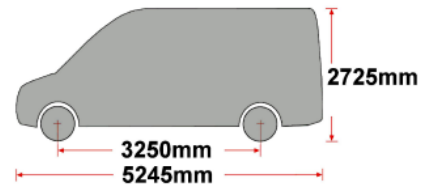
150kg
Max



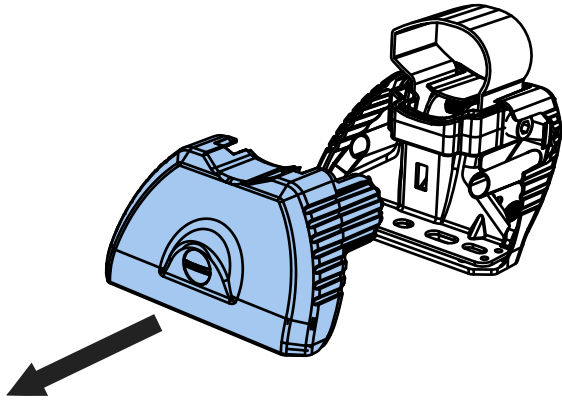
K518/B518- Sprinter/Crafter 2006- L1, H2, Twin Doors



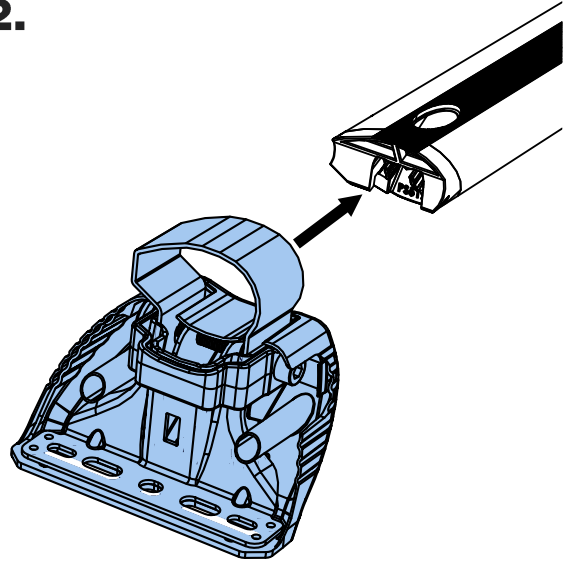
150kg
Max



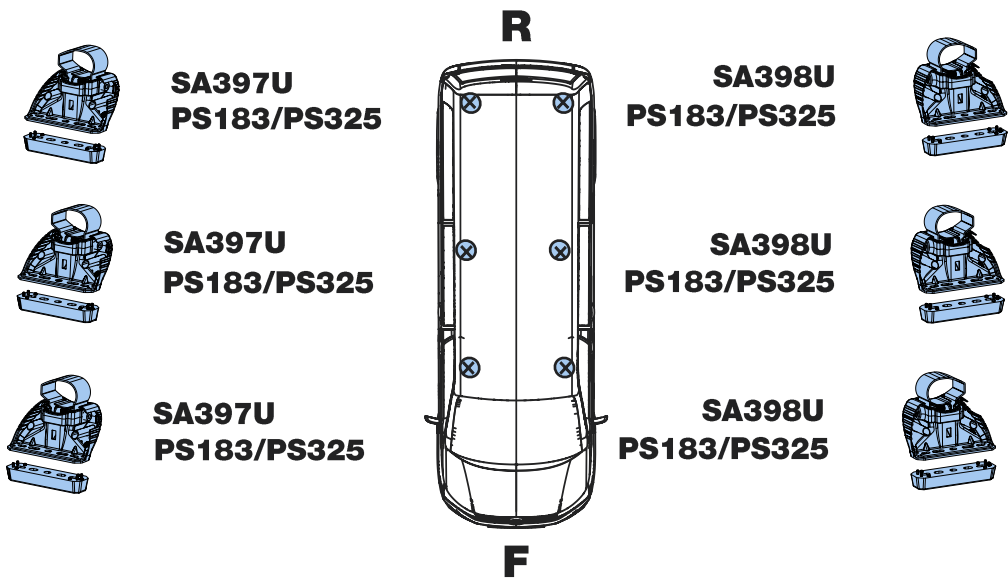
1.



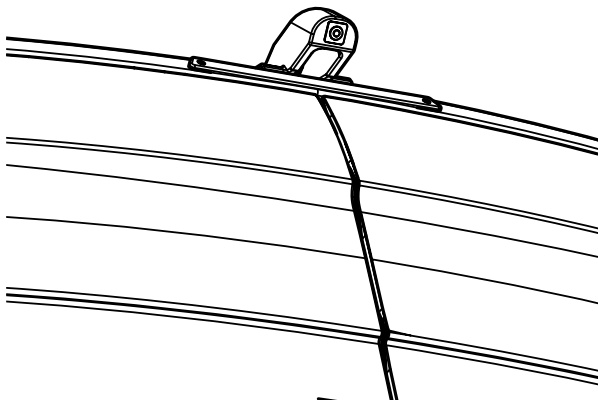
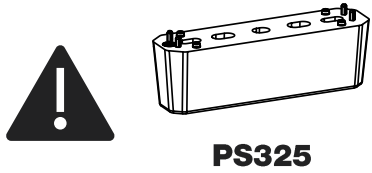
2.



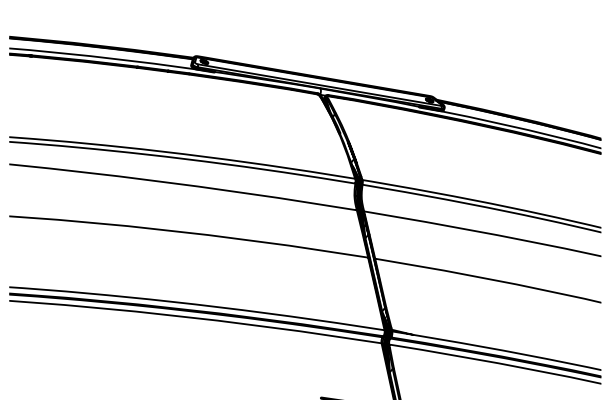
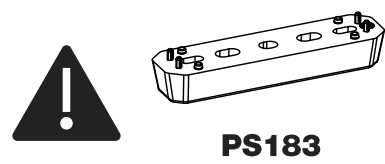
3.

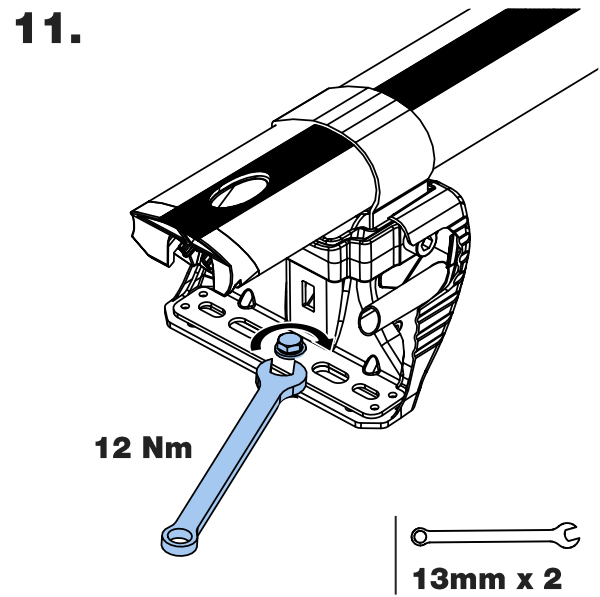
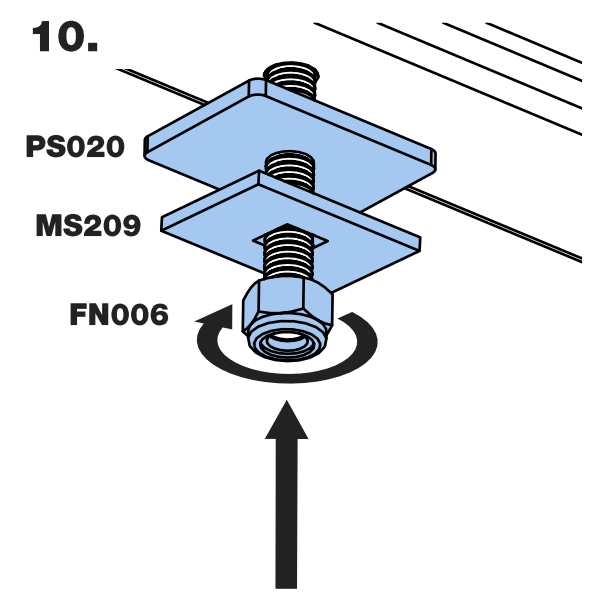
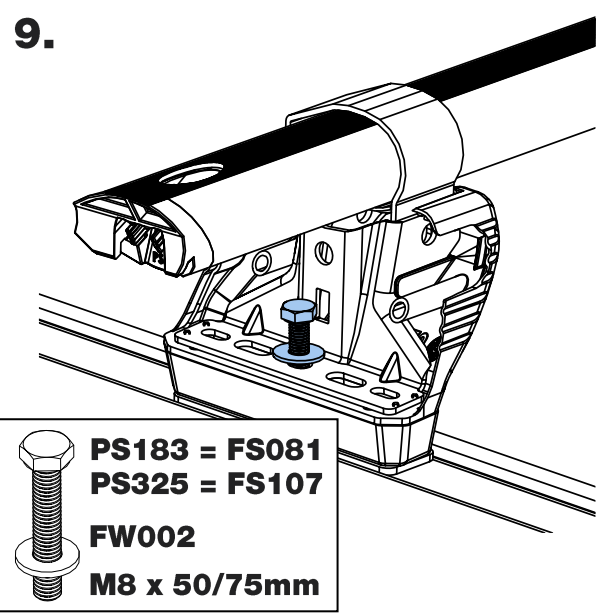
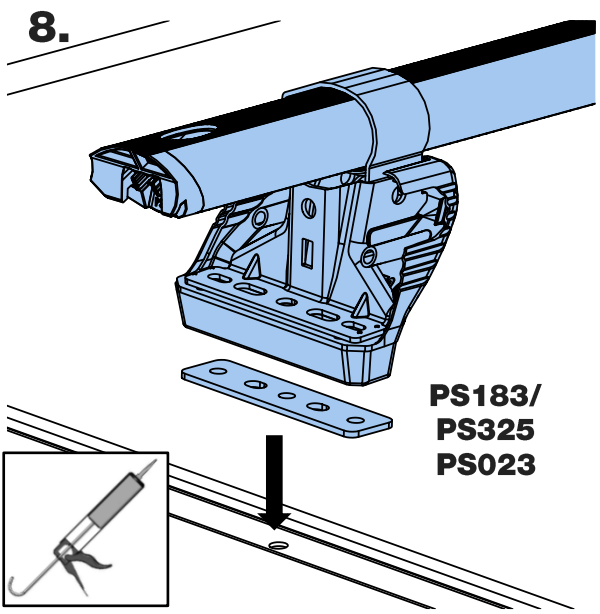
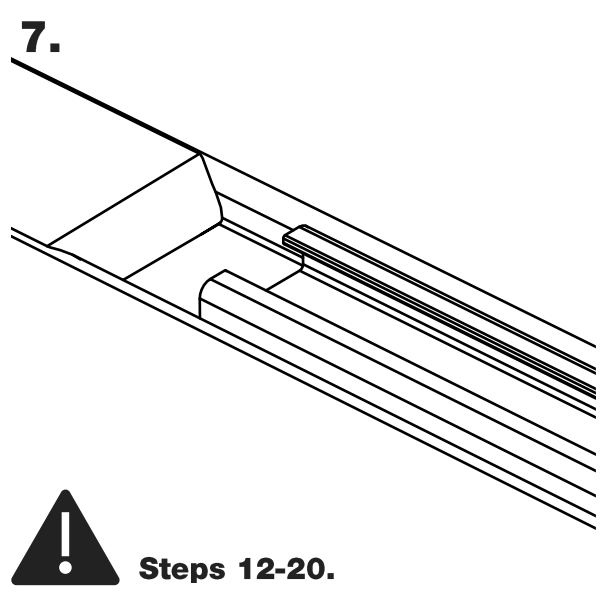
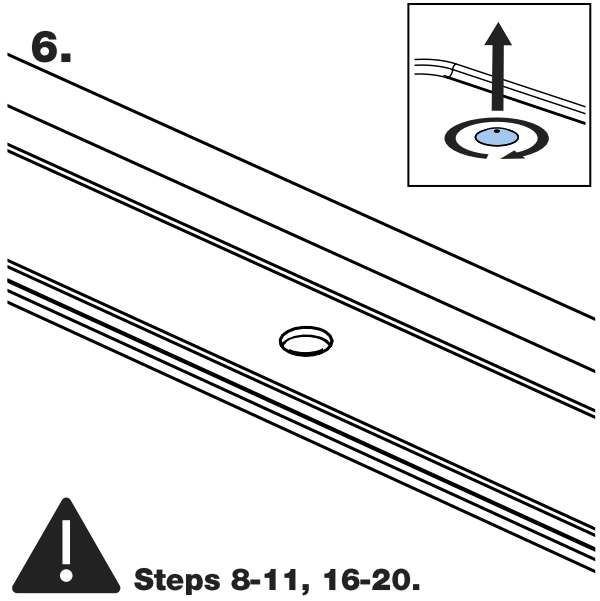


4.

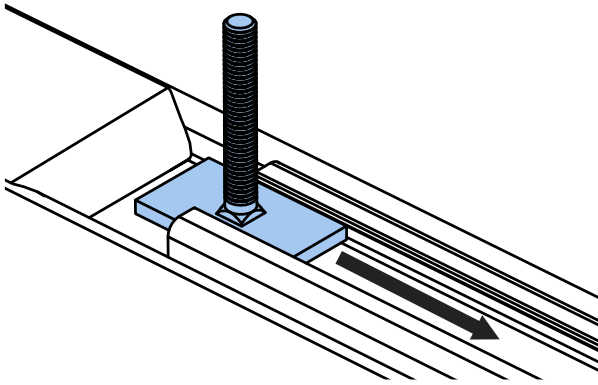
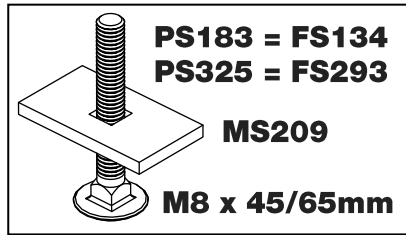


5.

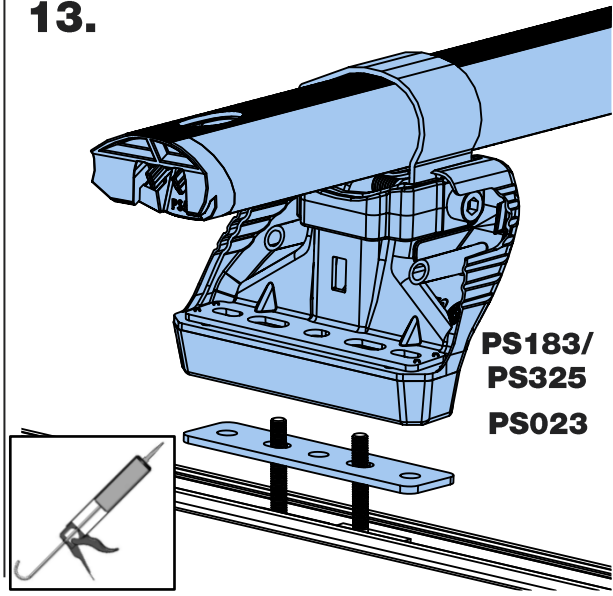




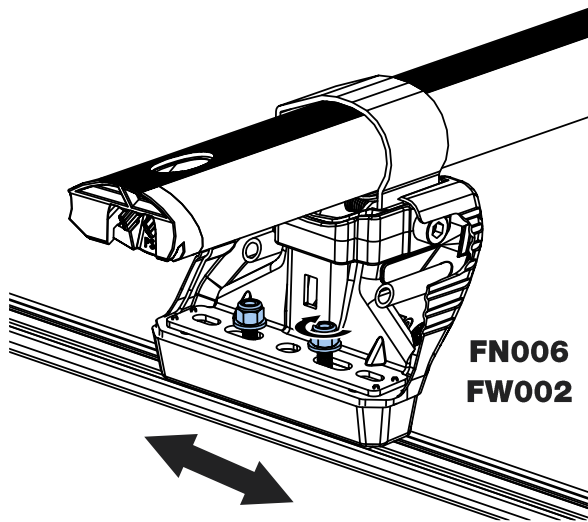
12.



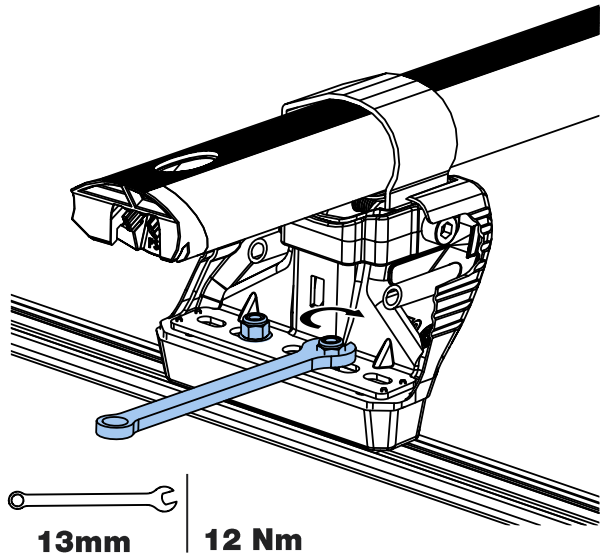
13.



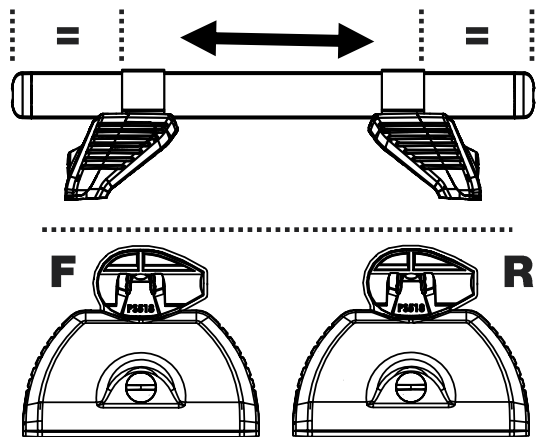
14.



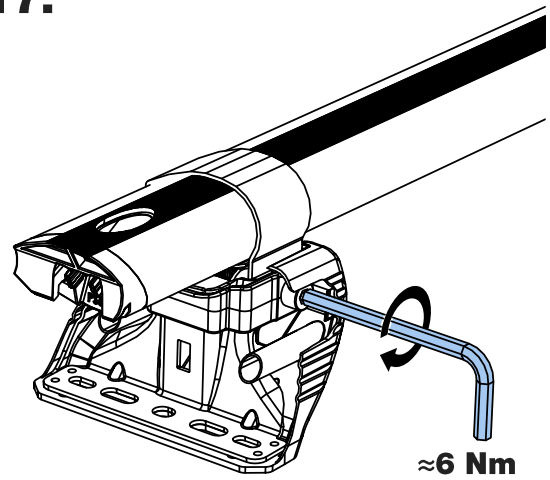
15.



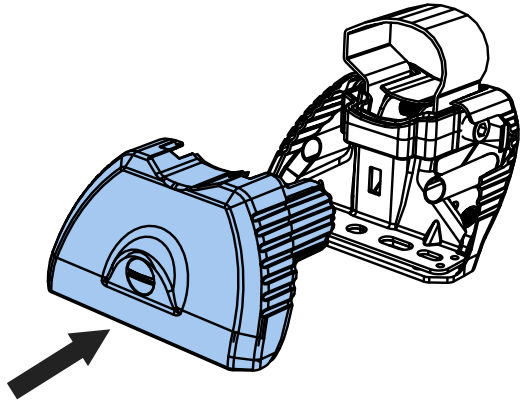
16.



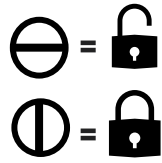
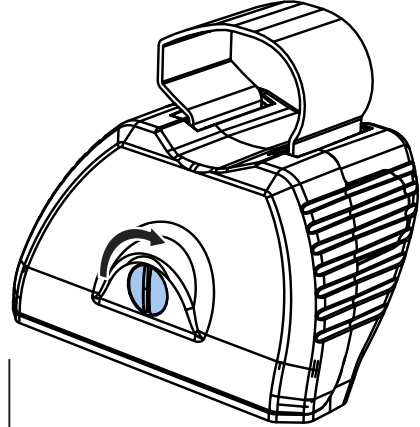
17.



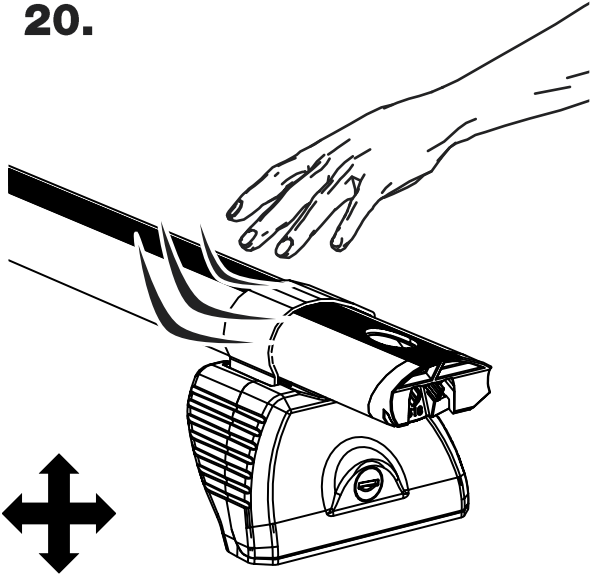
18.



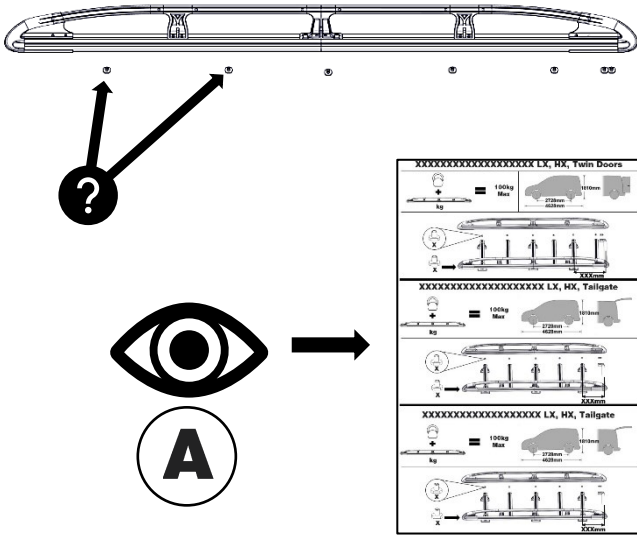
19.



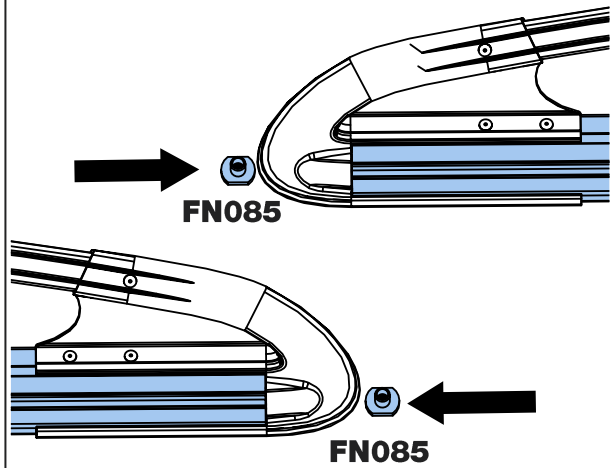
20.



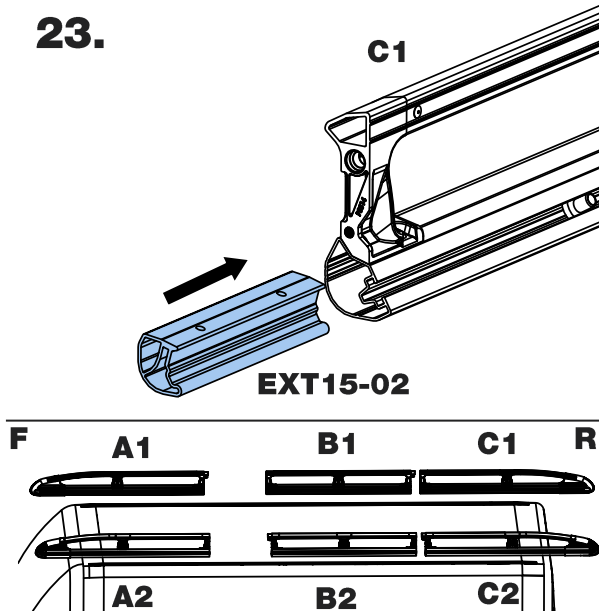
21.



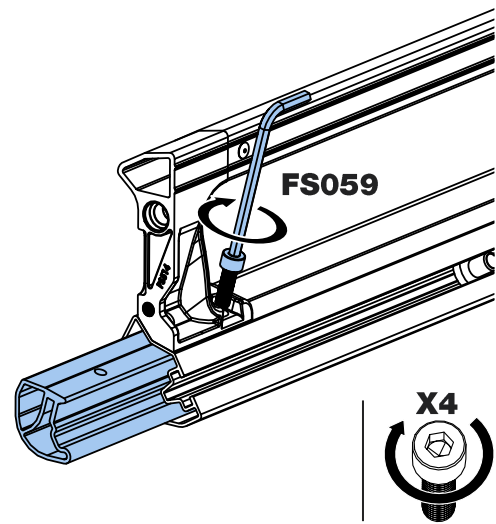
22.



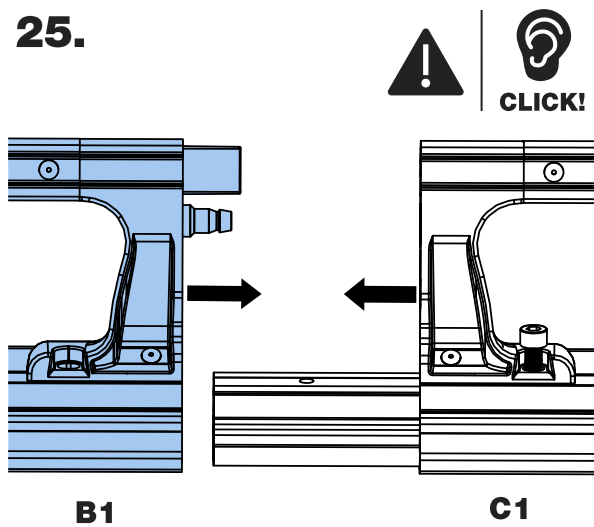
23.



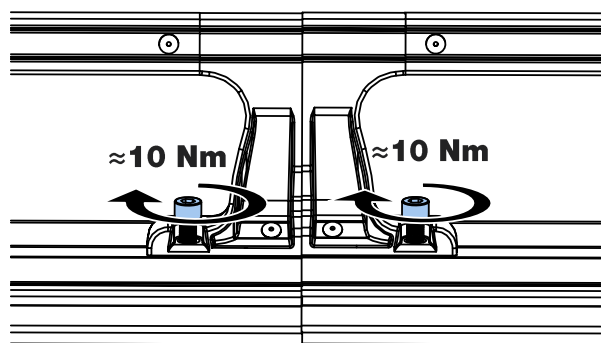
24.



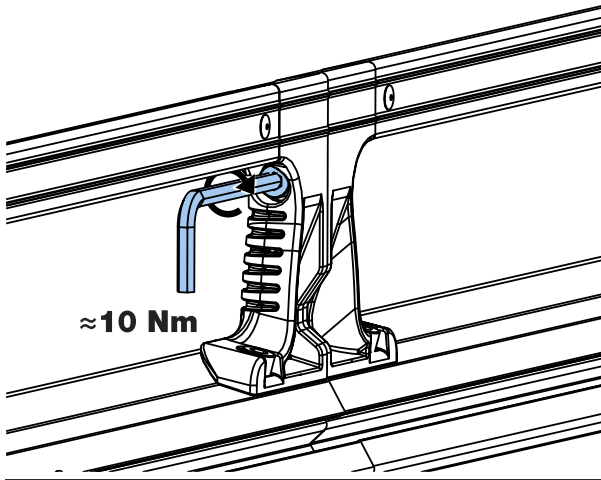
25.



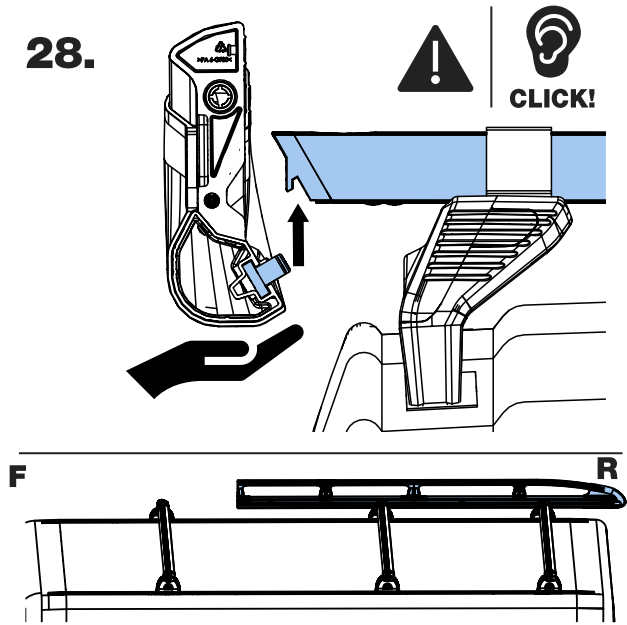
26.



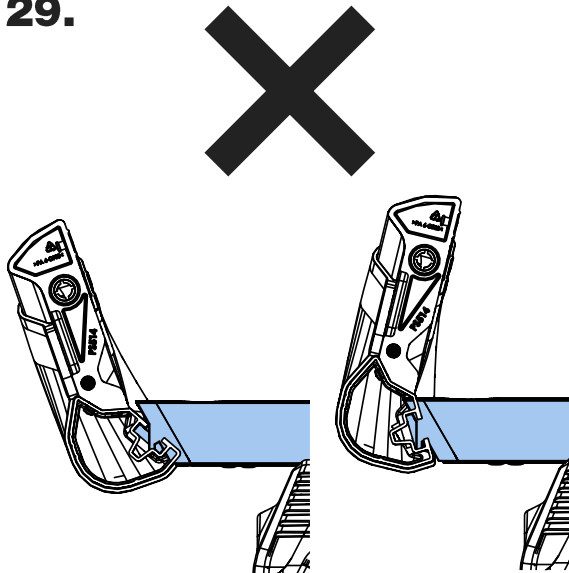
27.



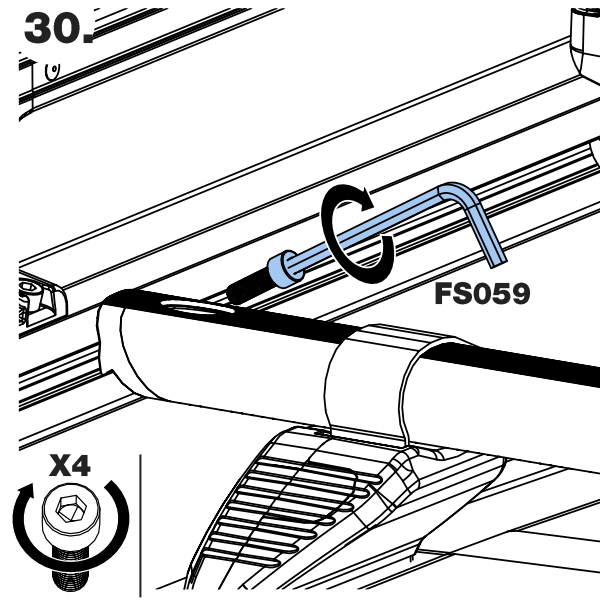
28.



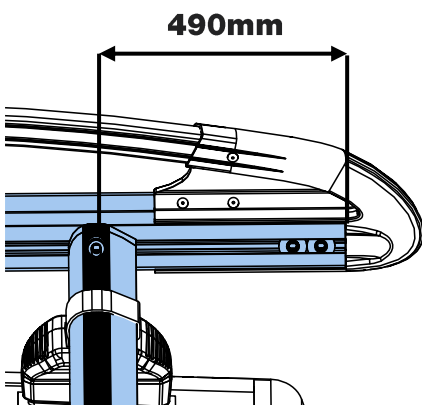
29.



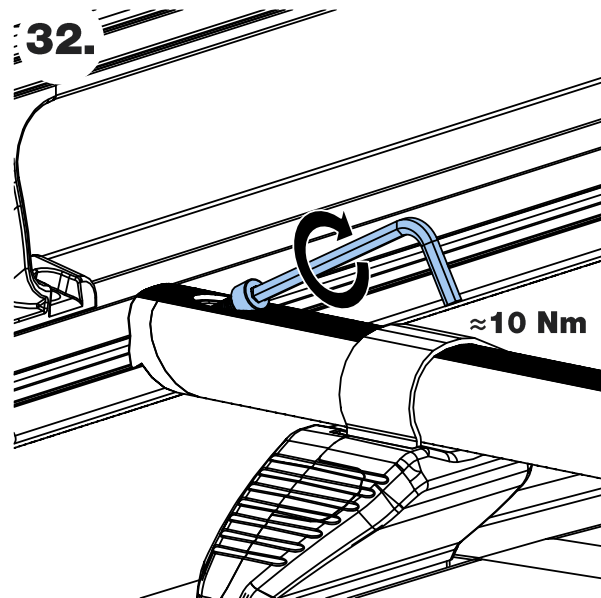
30.



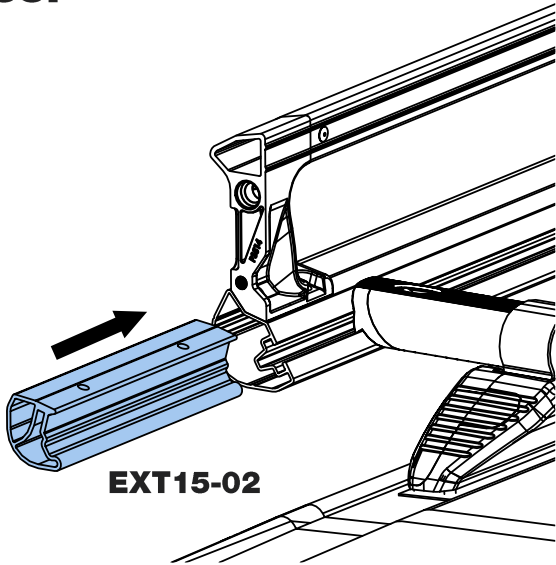
31.



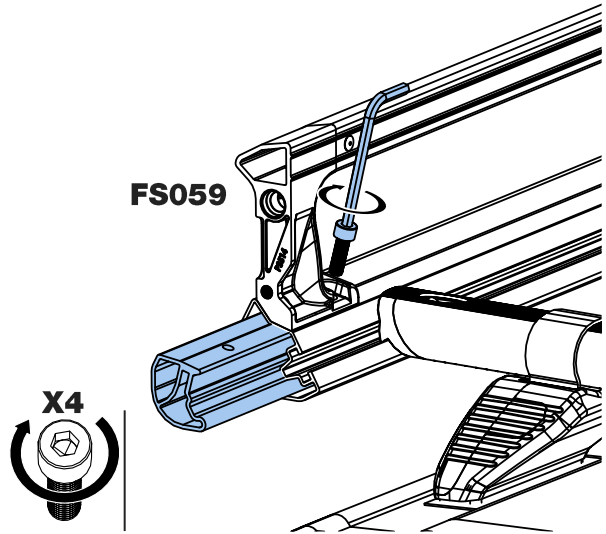
32.



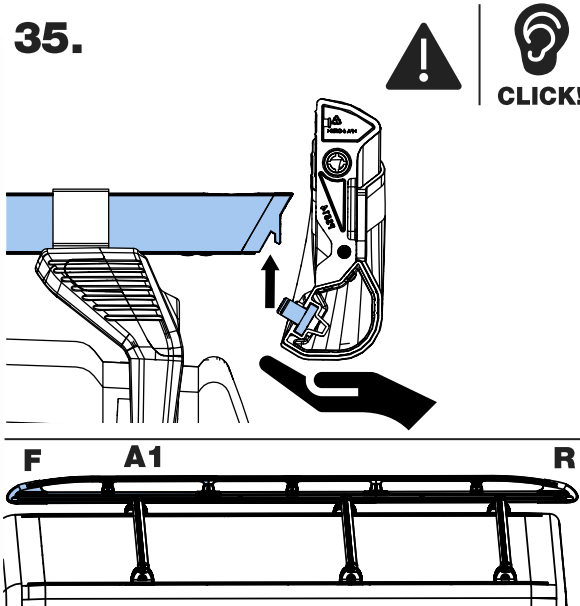
33.



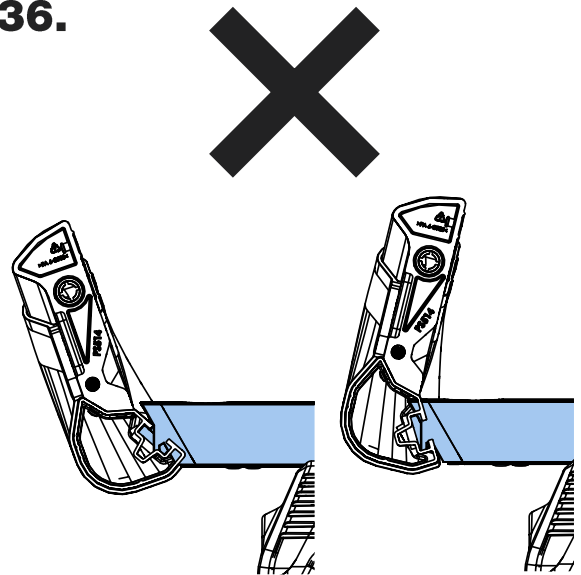
34.



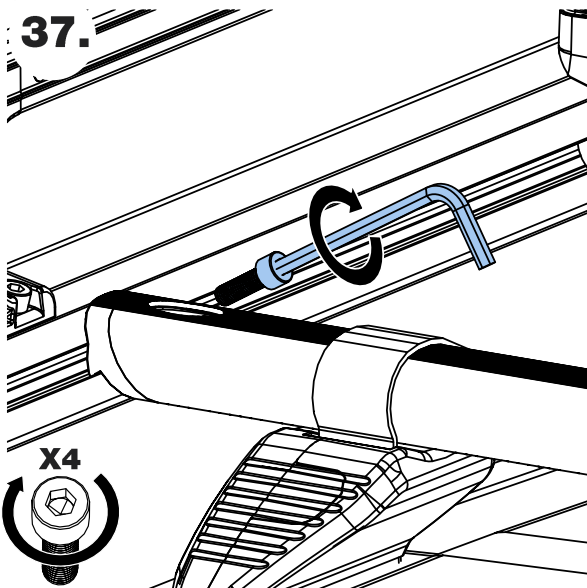
35.



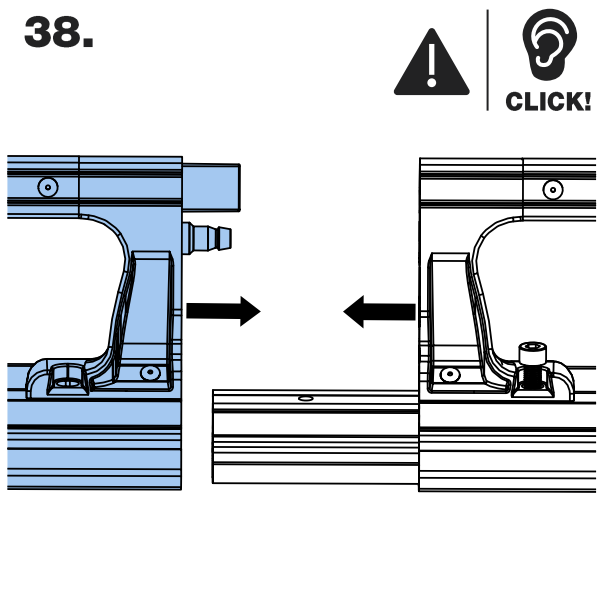
36.



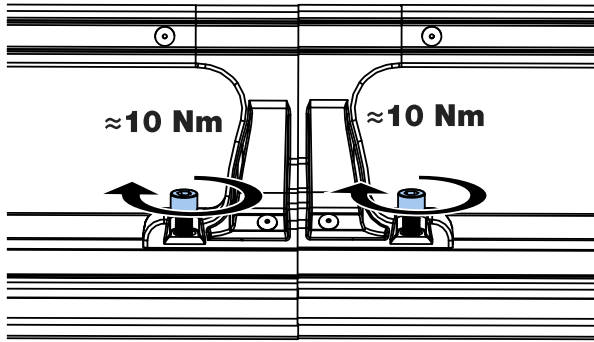
37.



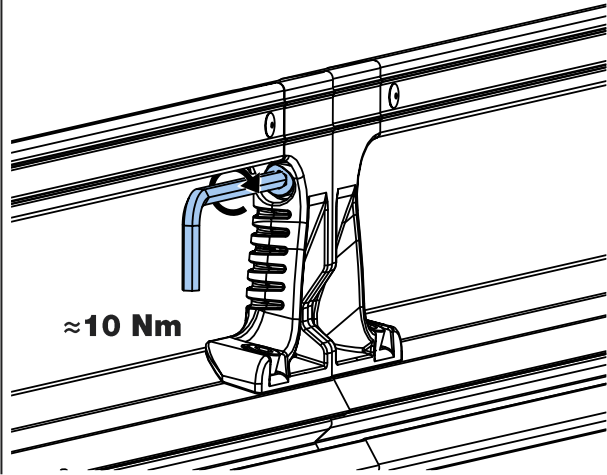
38.



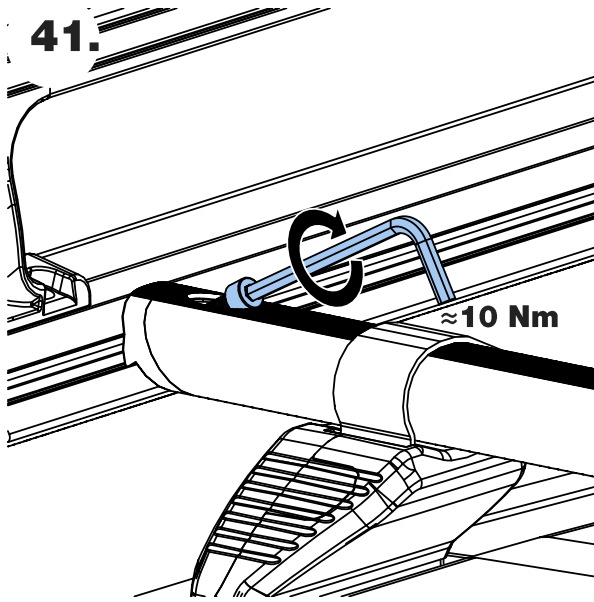
39.



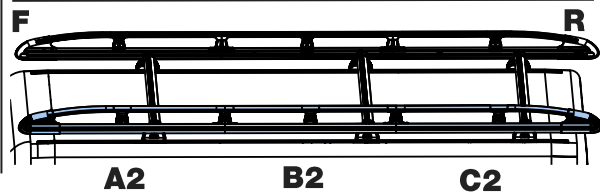
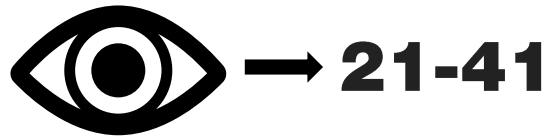
40.



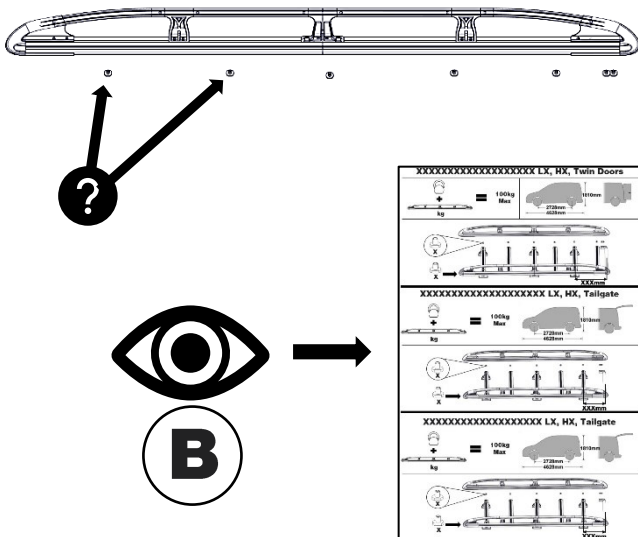
41.



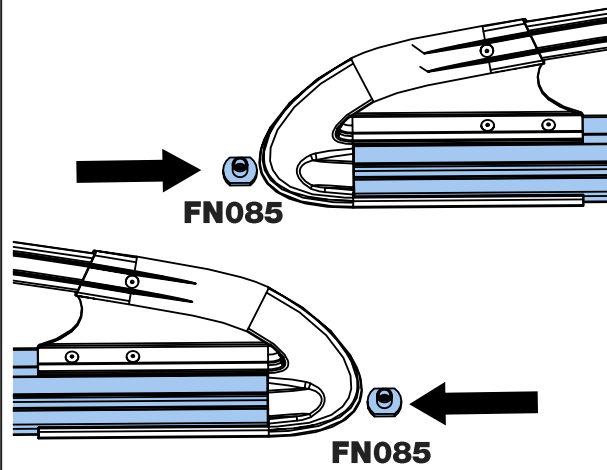
42.



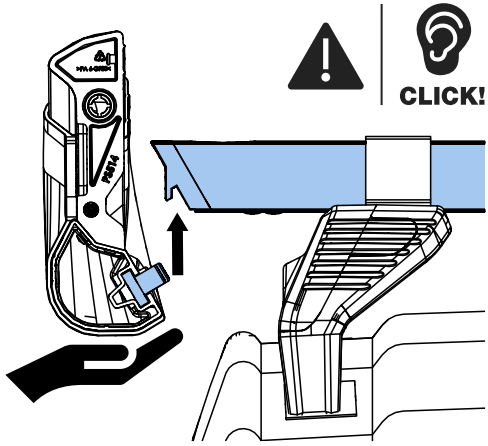
43.



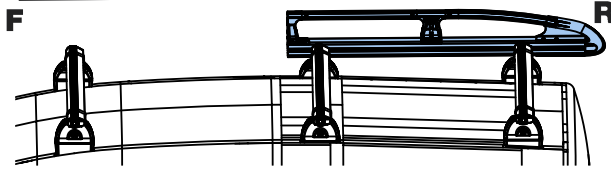
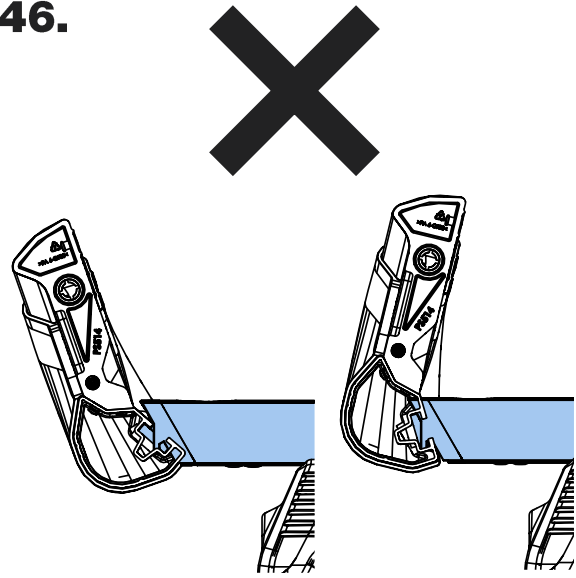
44.



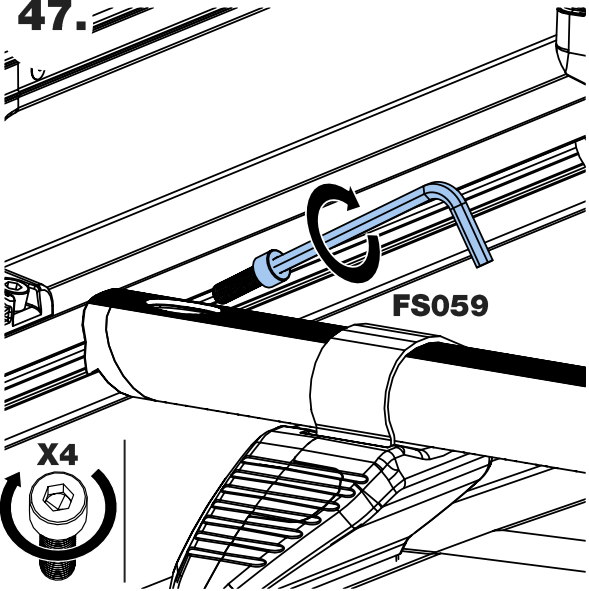
45.



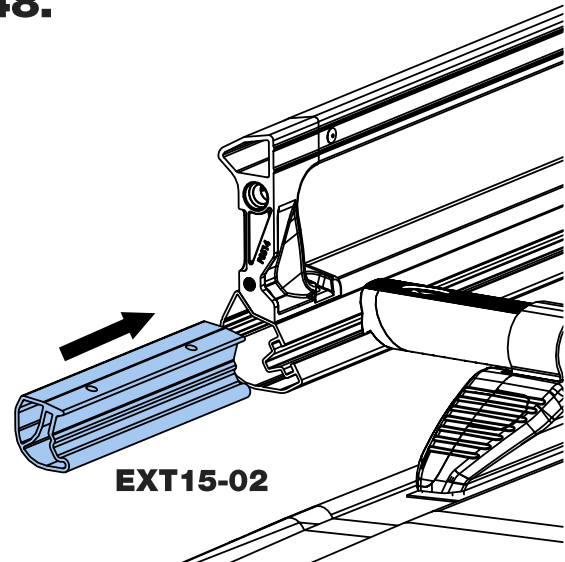
46.



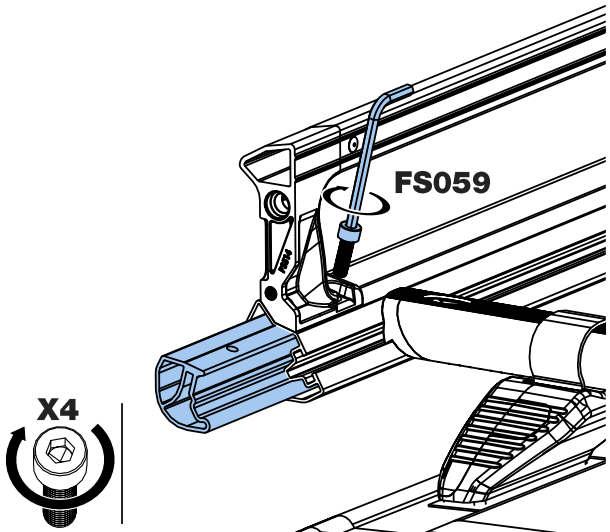
47.



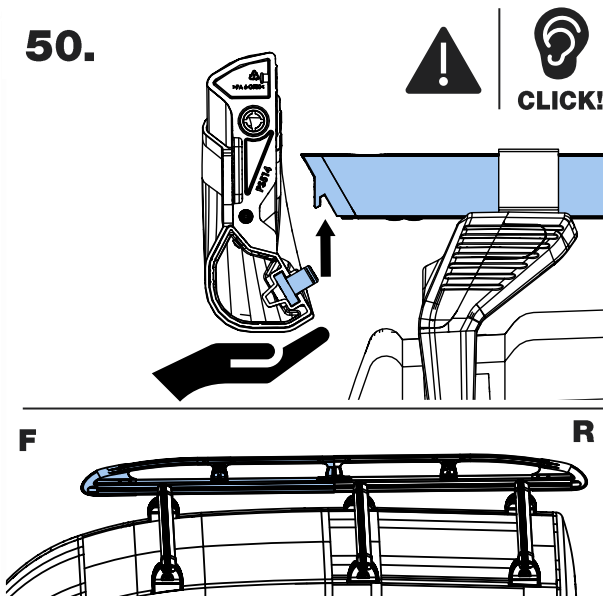
48.



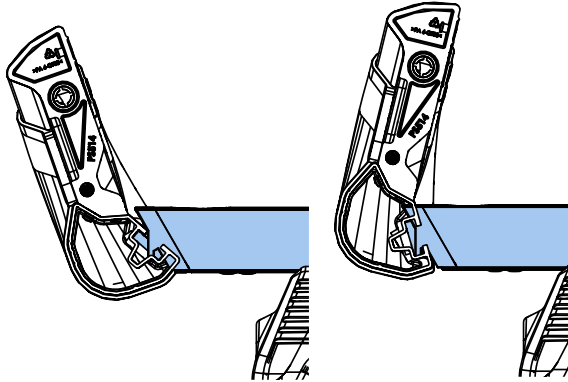
49



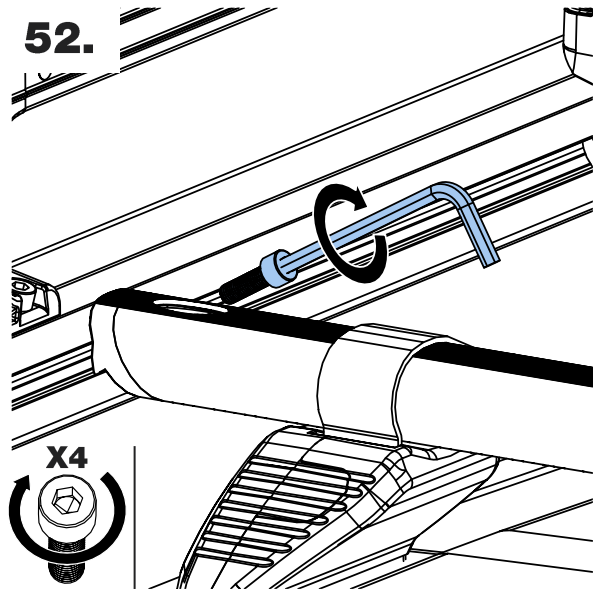
50.



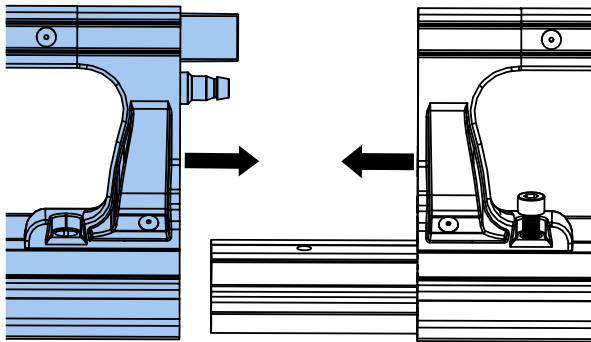
51.



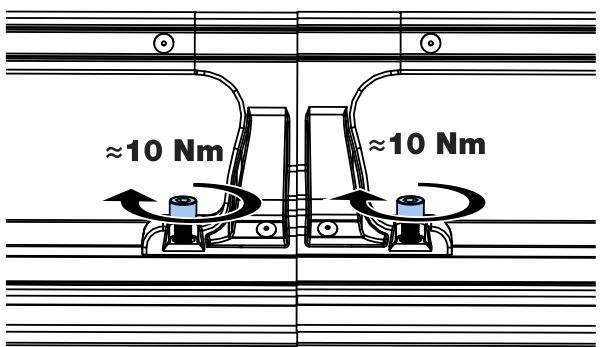
52.



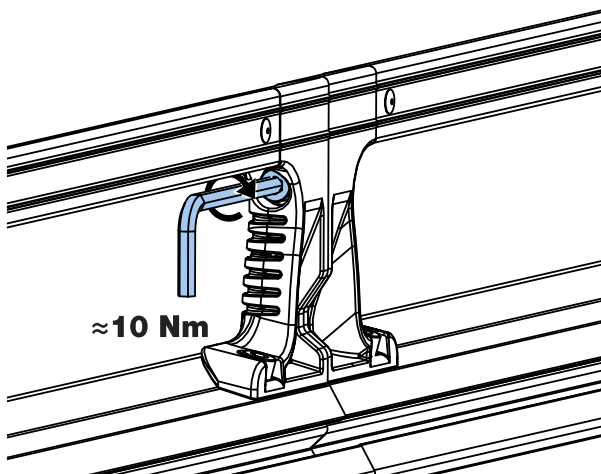
53.



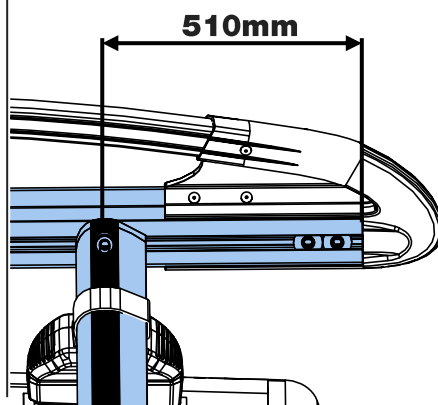
54.

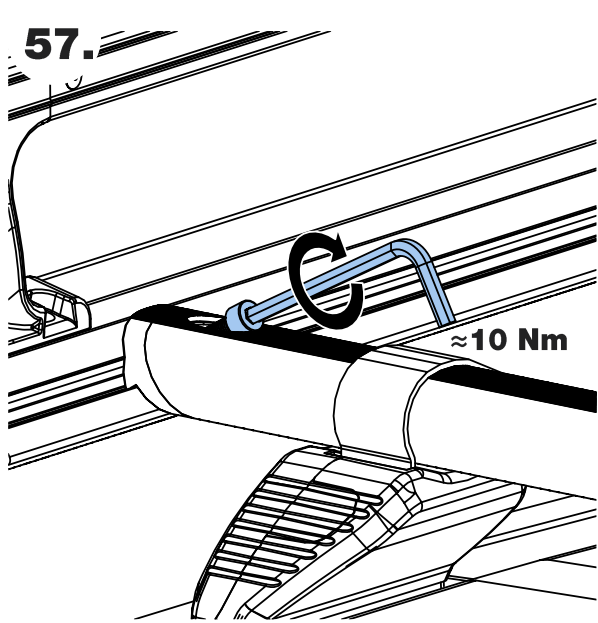


55.

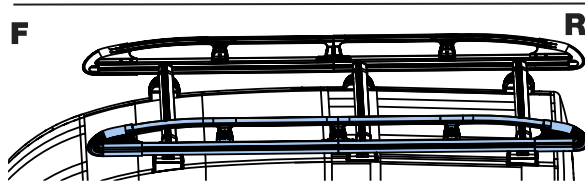
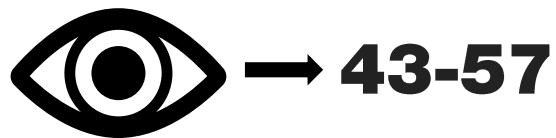


56.

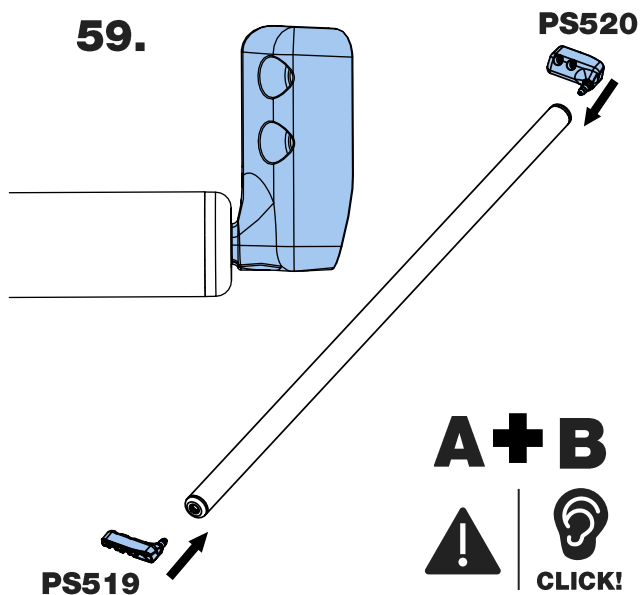




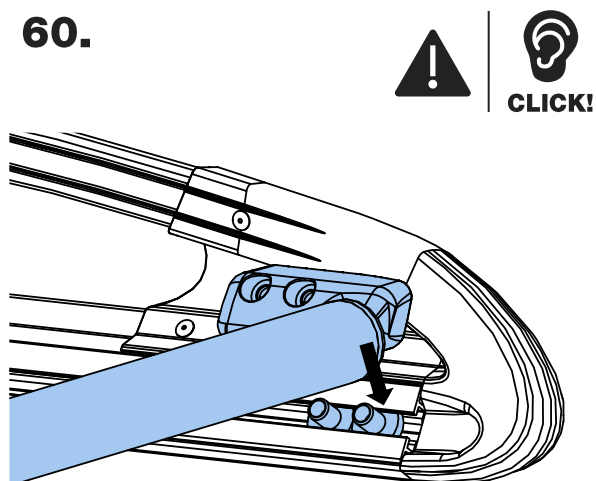
58.



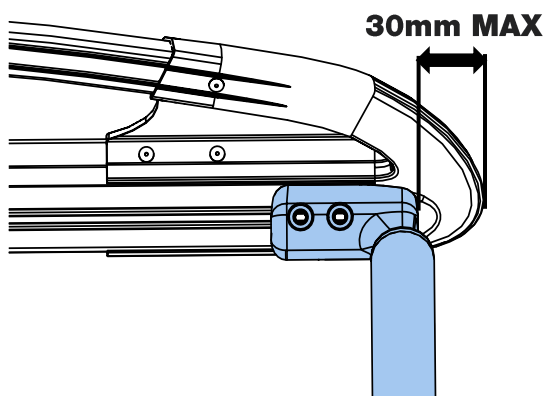
59.



60.



61.



62.

