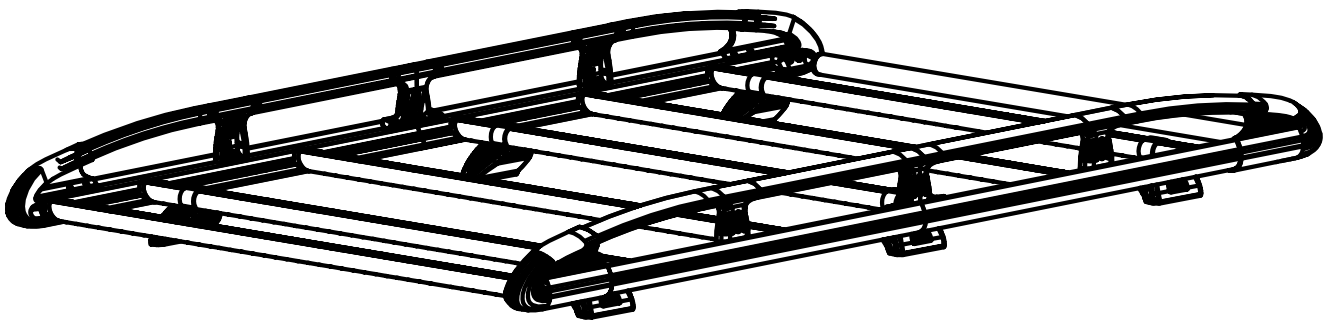


MC4KR

KammRack

Instructions

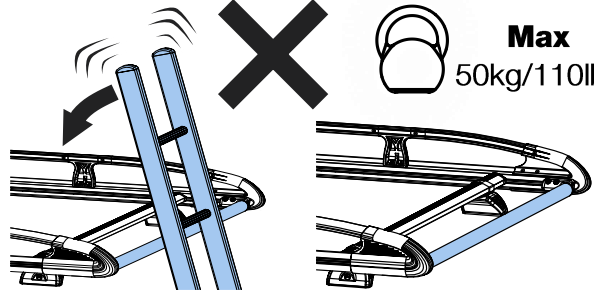
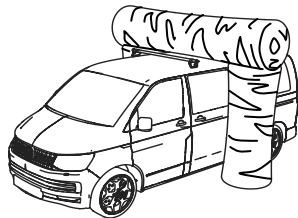
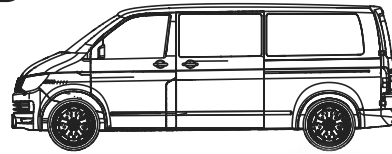


CITY CRASH (✓)

According to ISO/ PAS 11154:2006

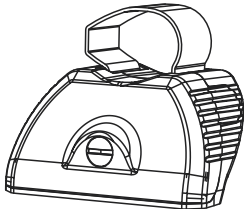
MC4KR:

MERCEDES Sprinter 2006-

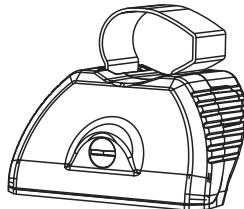


Max
50kg/110lbs

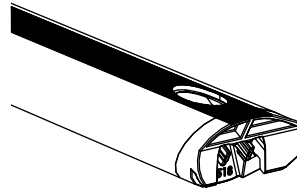
KammRack



SA397U x 4



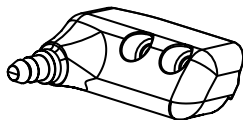
SA398U x 4



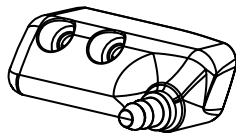
**SA430/
SA468**



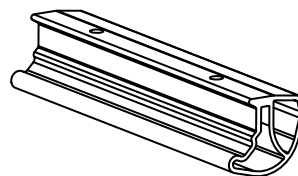
C04 x 8
optional upgrade



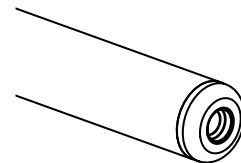
PS519 x 1



PS520 x 1



EXT15-02

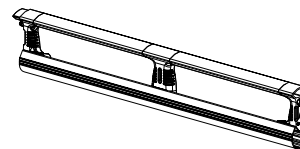
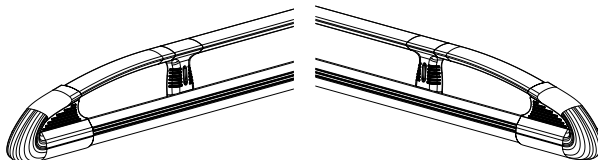


SA438 x 1

LHS x 2

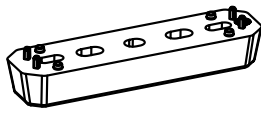
RHS x 2

Centre

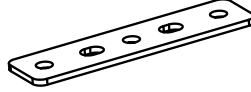


ASF x 1

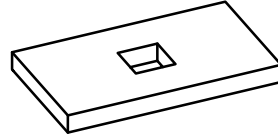
Fitting Kit



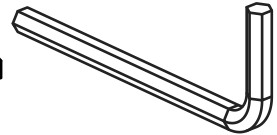
PS183 x 8



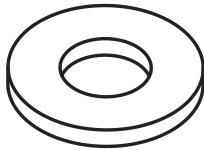
PS023 x 8



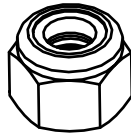
MS209 x 16



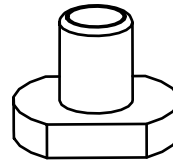
FT01 x 1



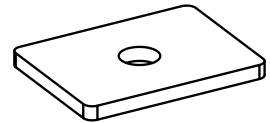
FW002 (M8) x 16



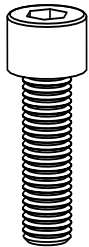
FN006 (M8) x 16



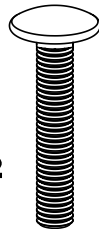
FN085 x 22



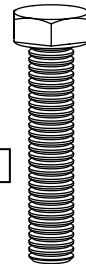
PS020 x 8



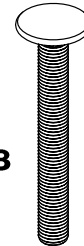
FS059
(M8 x 25) x 22



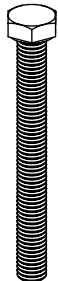
FS134
(M8 x 45) x 16



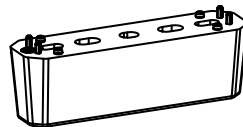
FS081
(M8 x 50) x 8



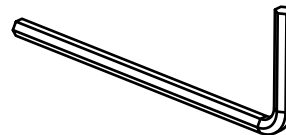
FS293
(M8 x 65) x 16



FS107
(M8 x 75) x 8

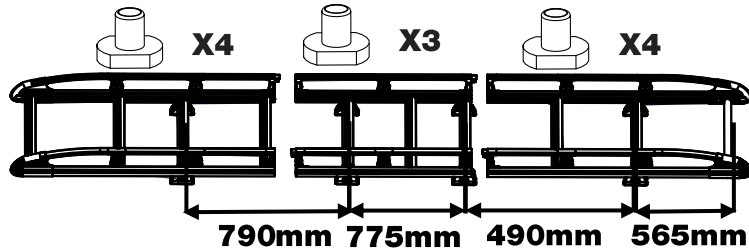
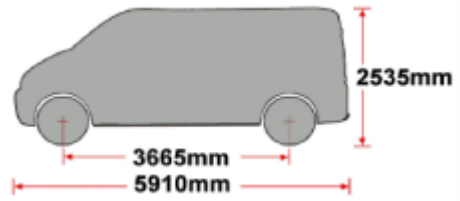
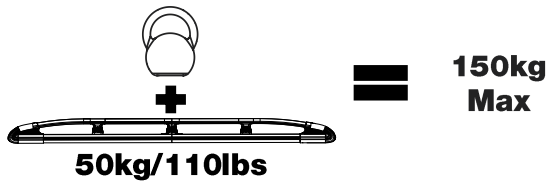


PS325 x 8

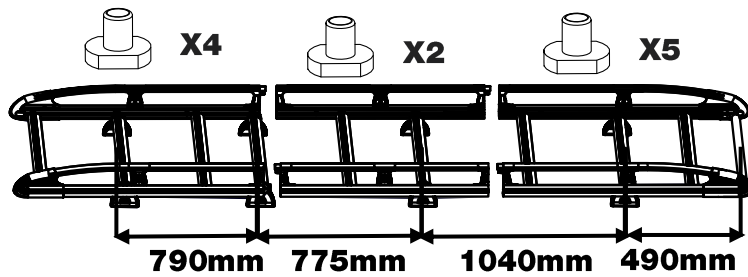
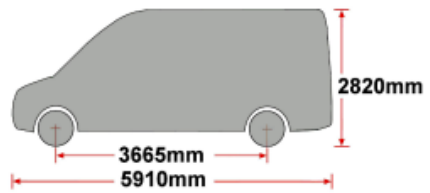
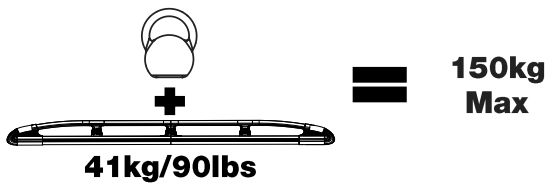


FT05 x 1

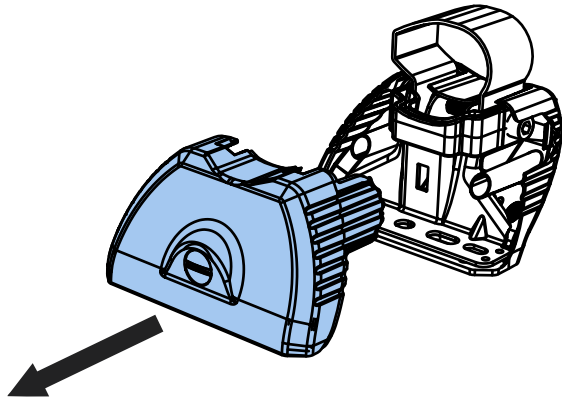
K519/B519- Sprinter 2006- L2, H1, Twin Doors



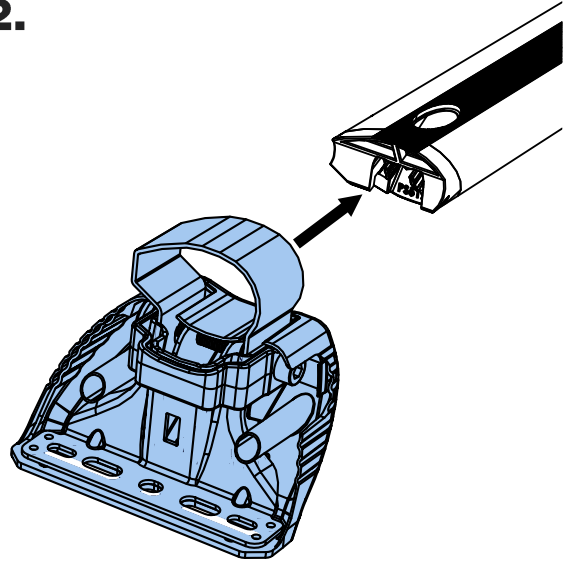
K520/B520- Sprinter 2006- L2, H2, Twin Doors



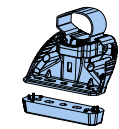
1.



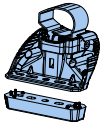
2.



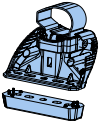
3.



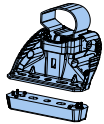
SA397U
PS183/PS325



SA397U
PS183/PS325

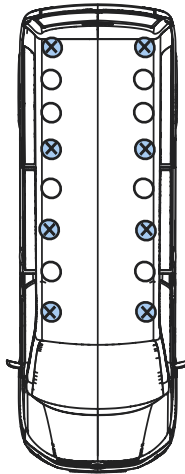


SA397U
PS183/PS325



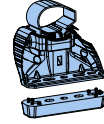
SA397U
PS183/PS325

R

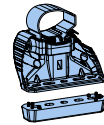


F

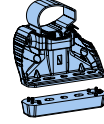
SA398U
PS183/PS325



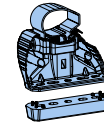
SA398U
PS183/PS325



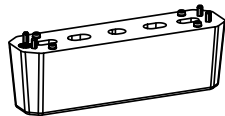
SA398U
PS183/PS325



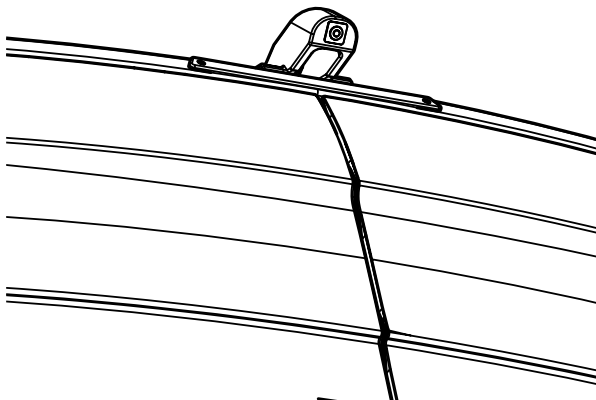
SA398U
PS183/PS325



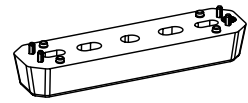
4.



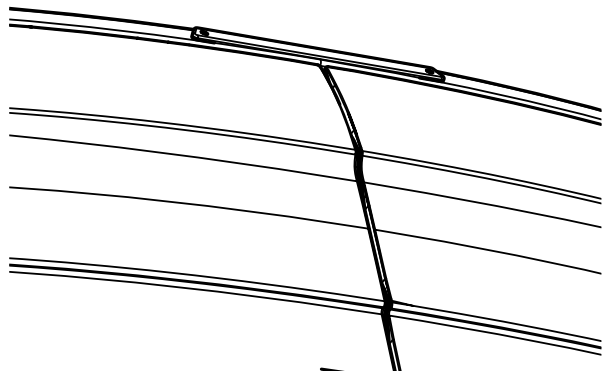
PS325

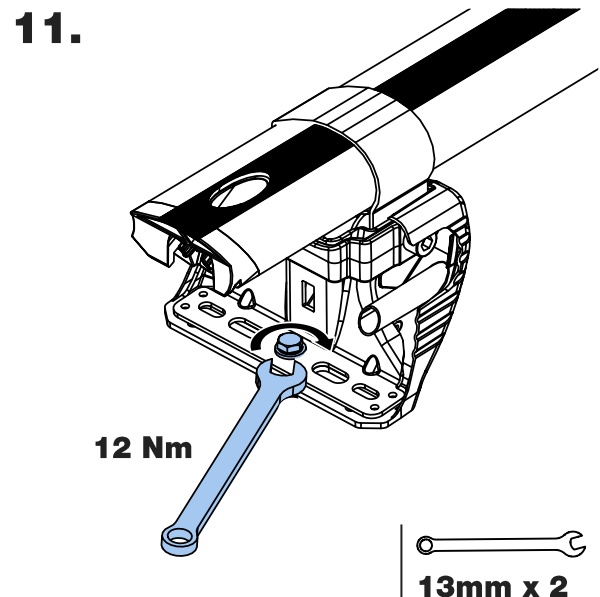
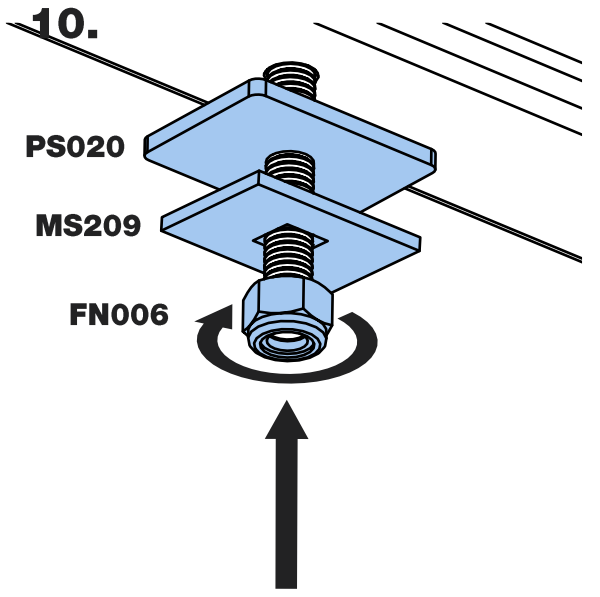
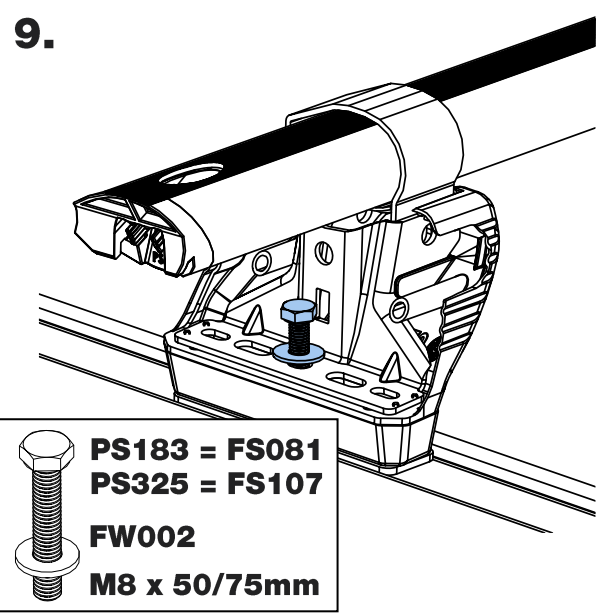
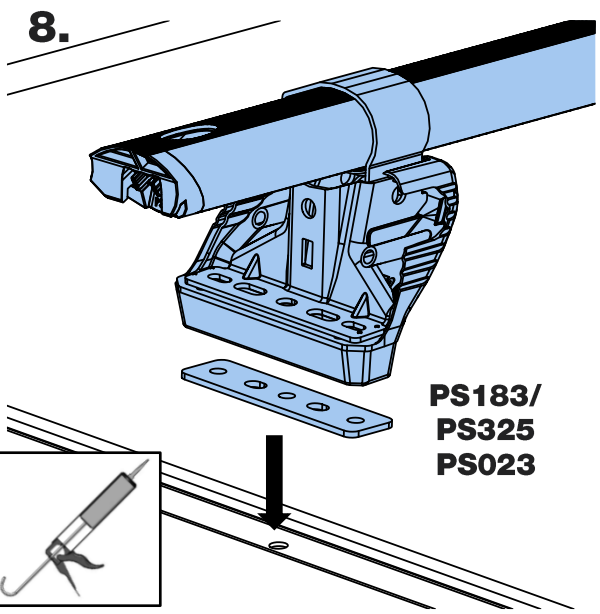
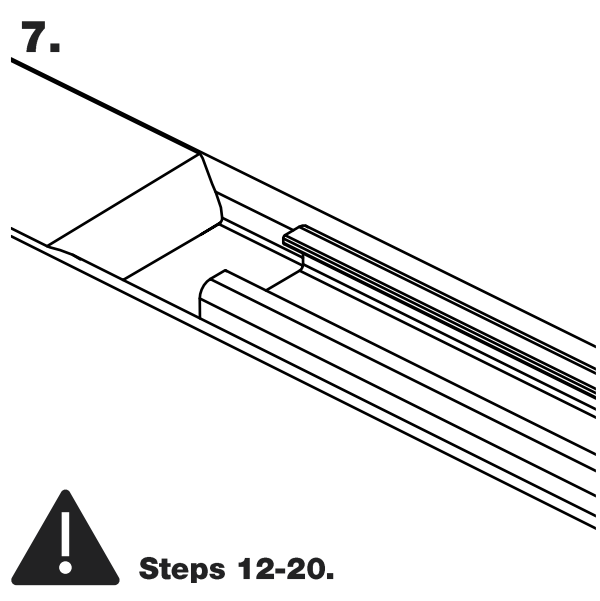
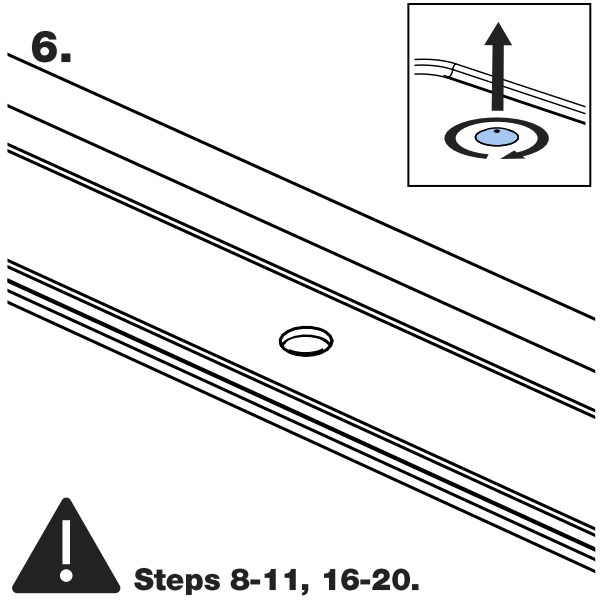


5.

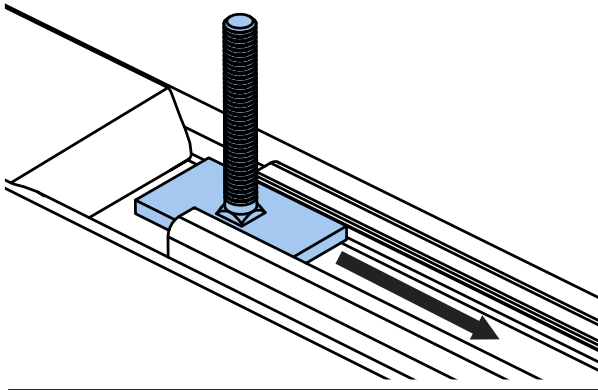
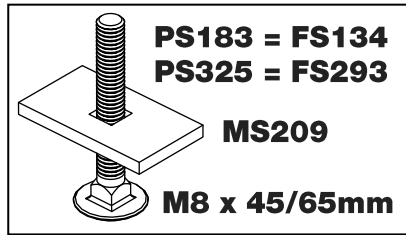


PS183

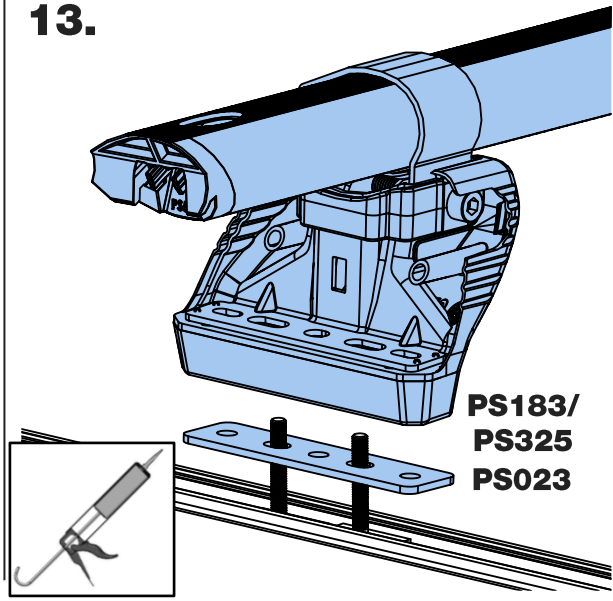




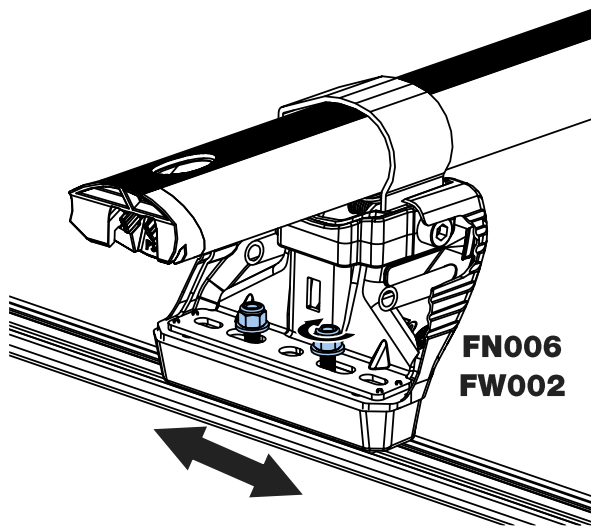
12.



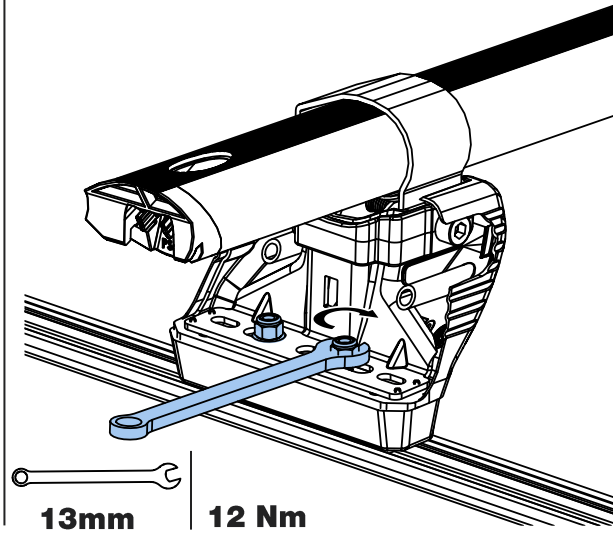
13.



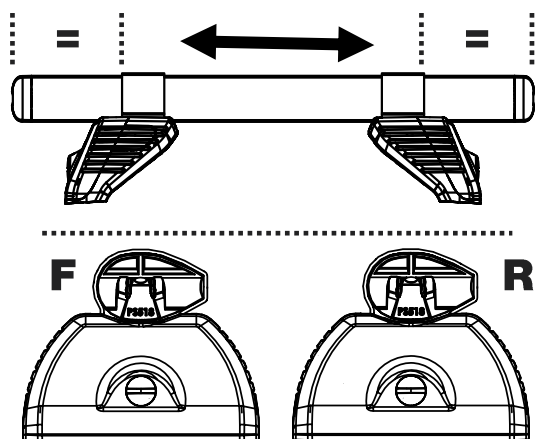
14.



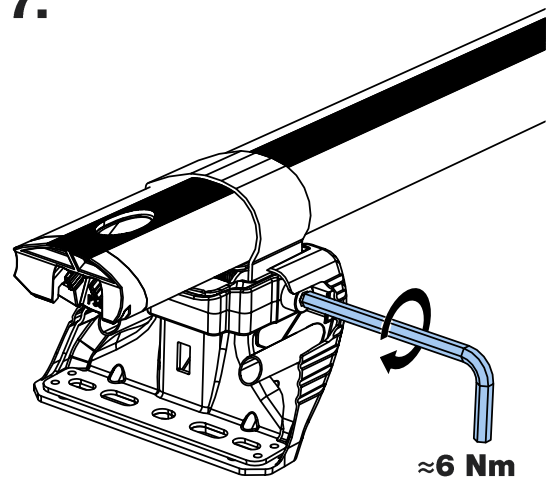
15.



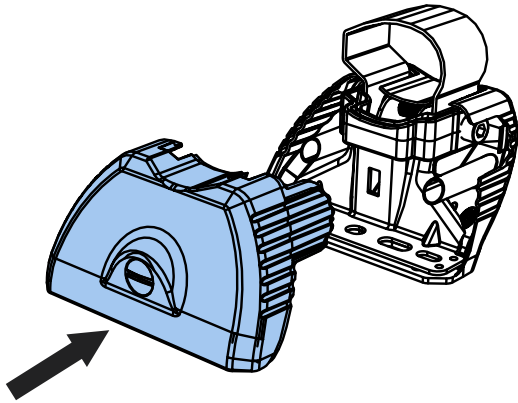
16.



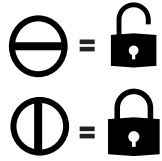
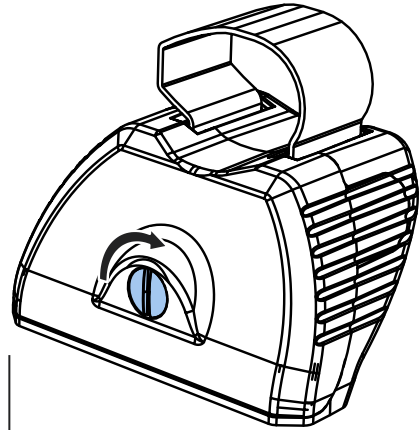
17.



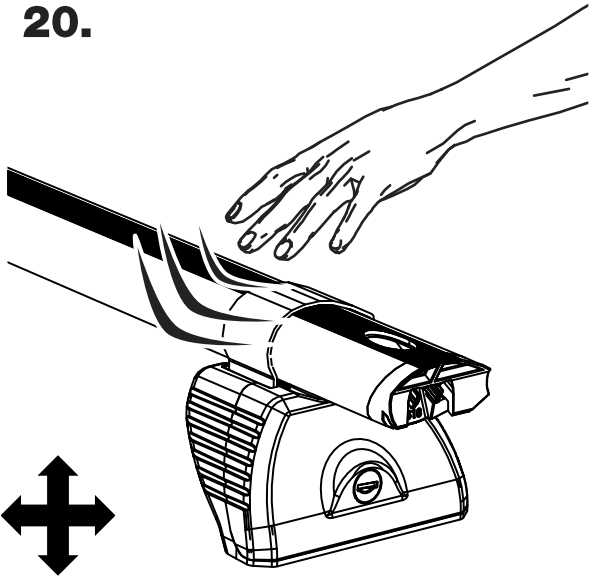
18.



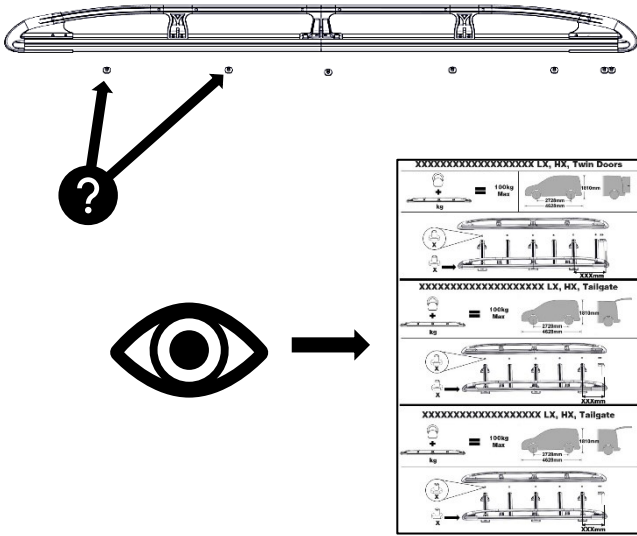
19.



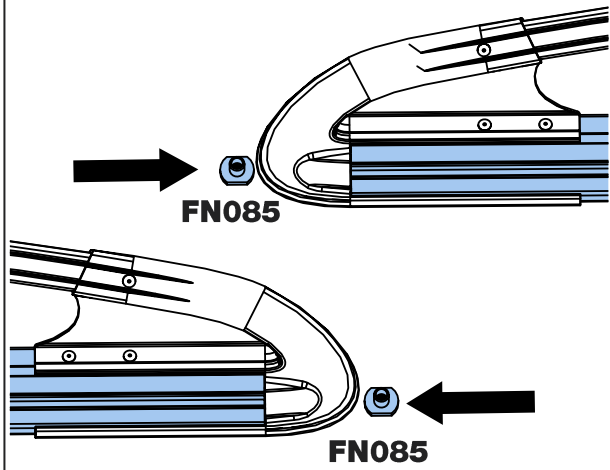
20.



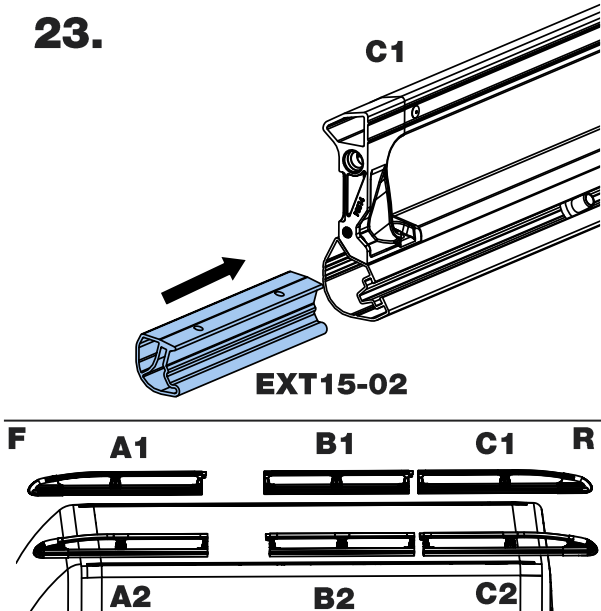
21.



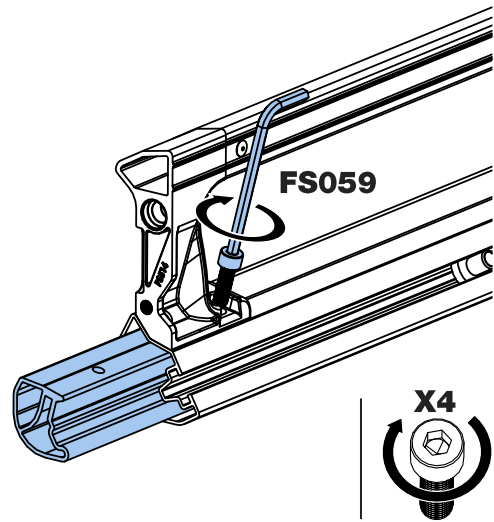
22.



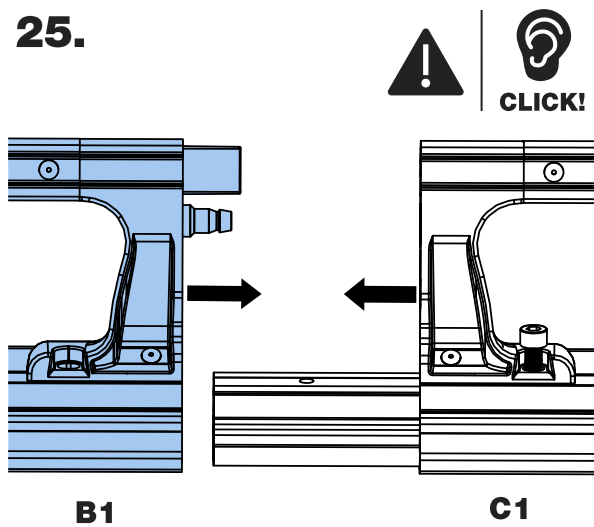
23.



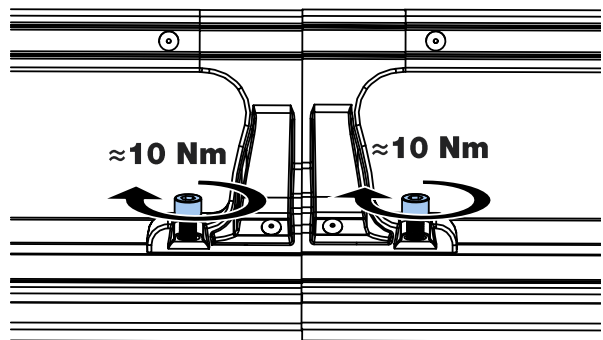
24.



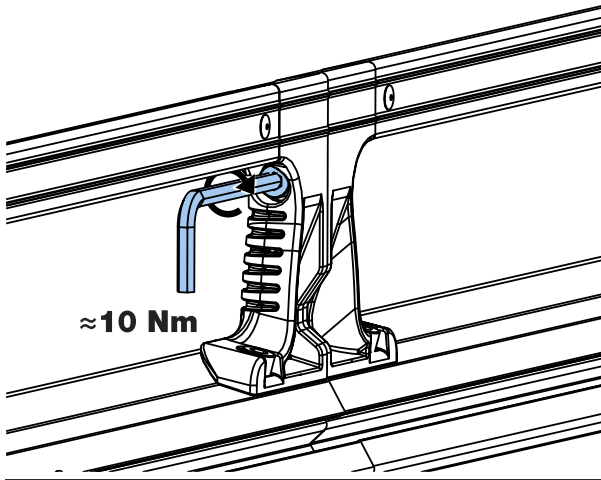
25.



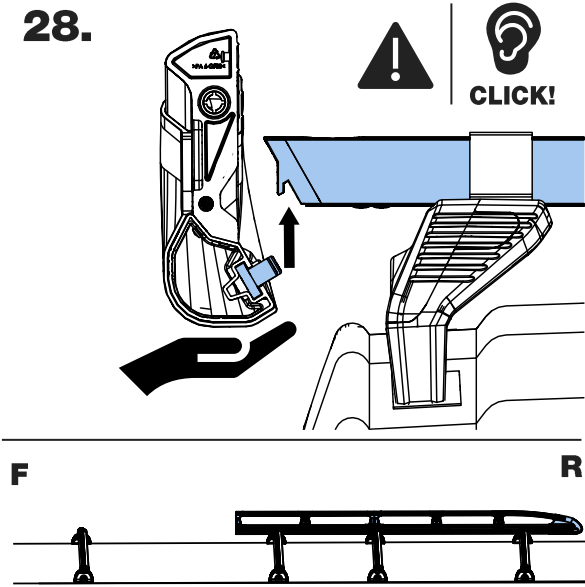
26.



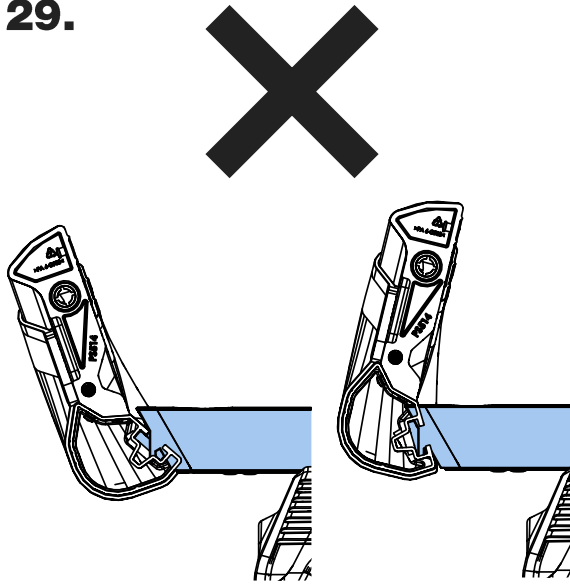
27.



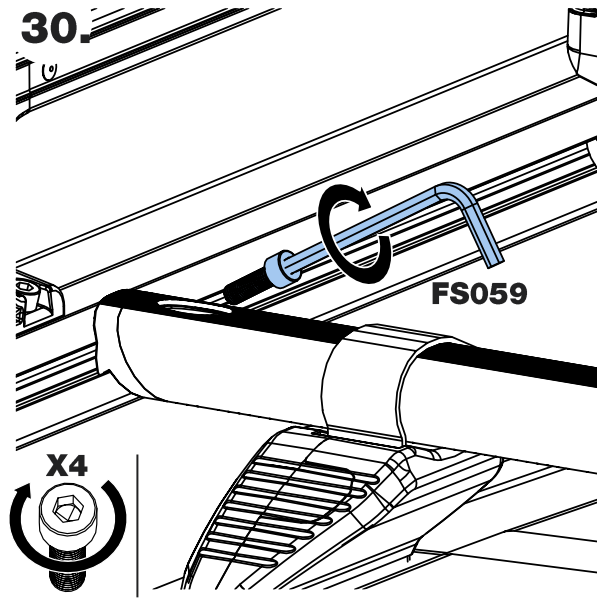
28.



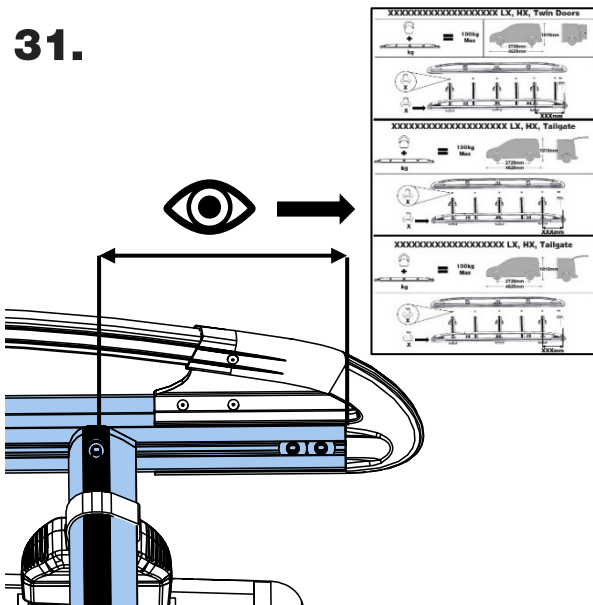
29.



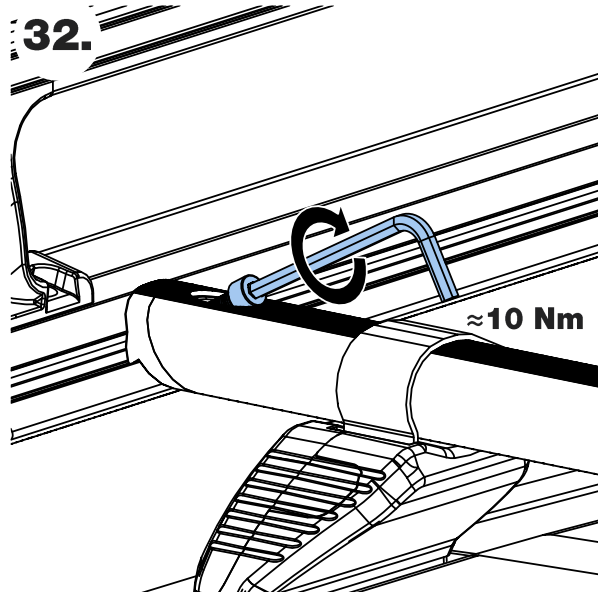
30.



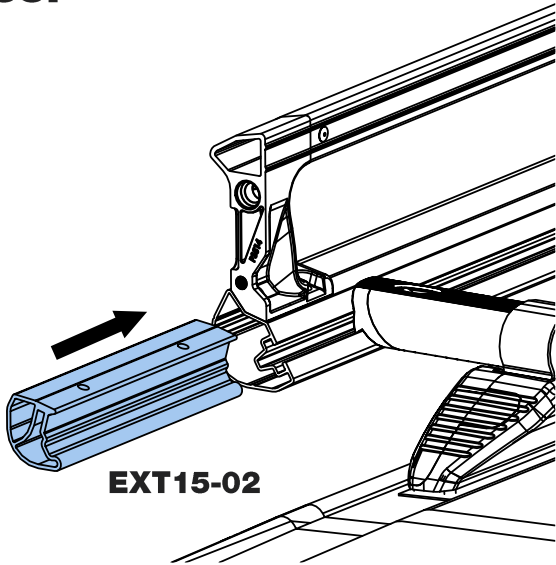
31.



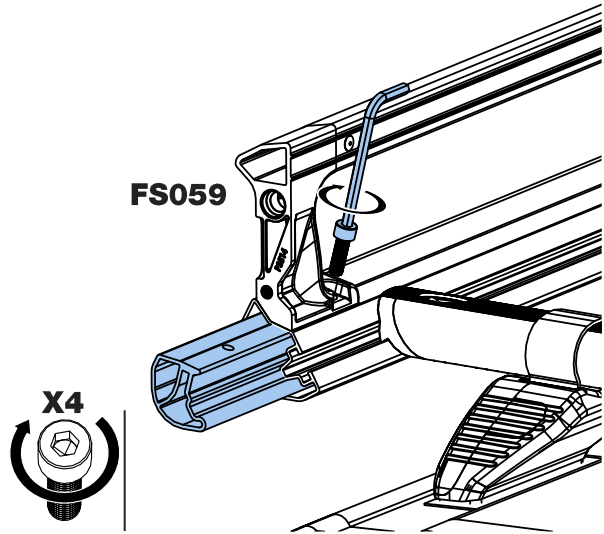
32.



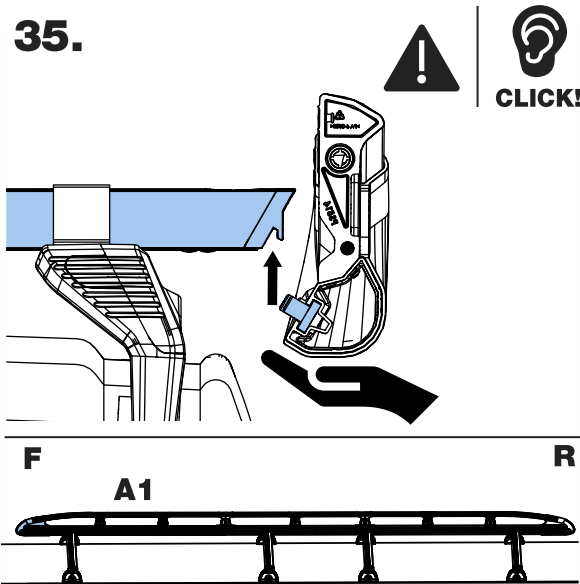
33.



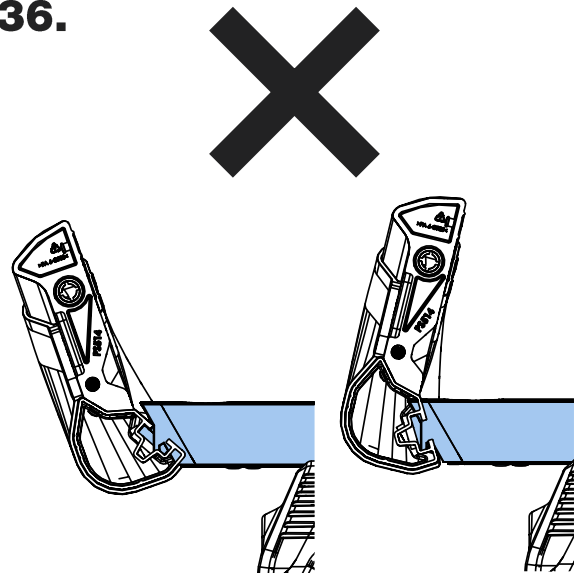
34.



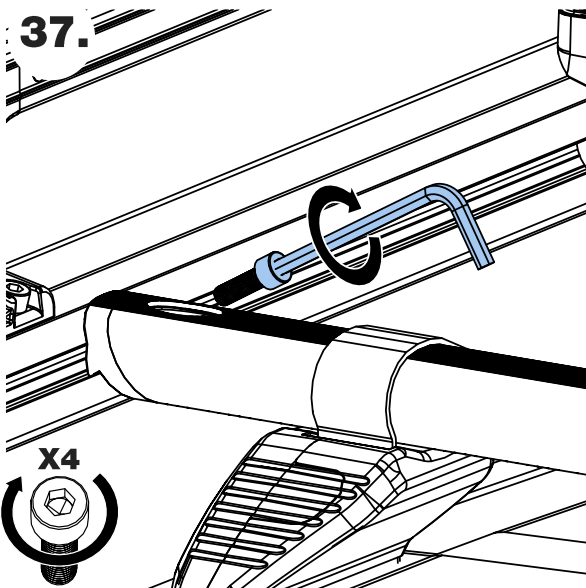
35.



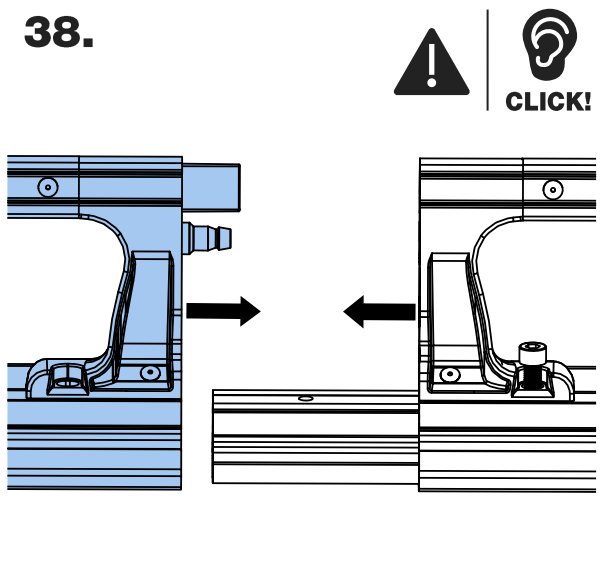
36.



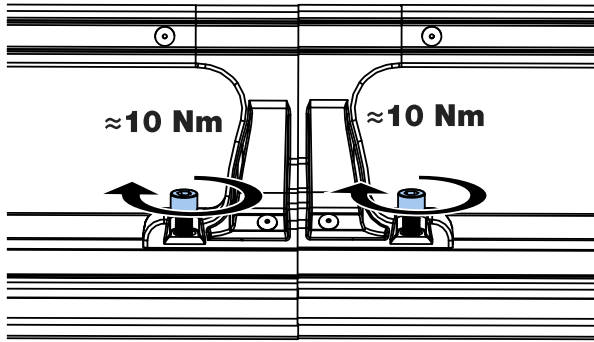
37.



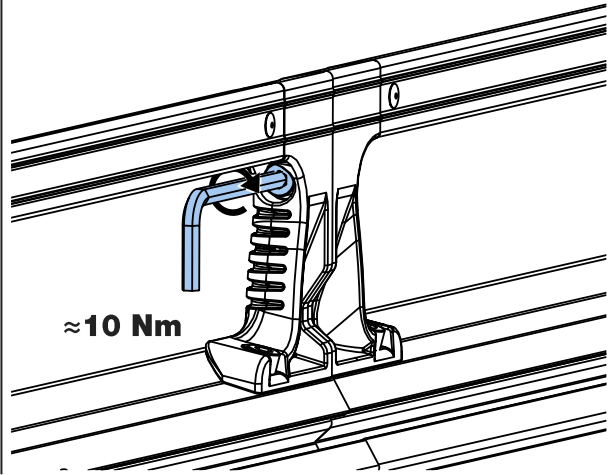
38.



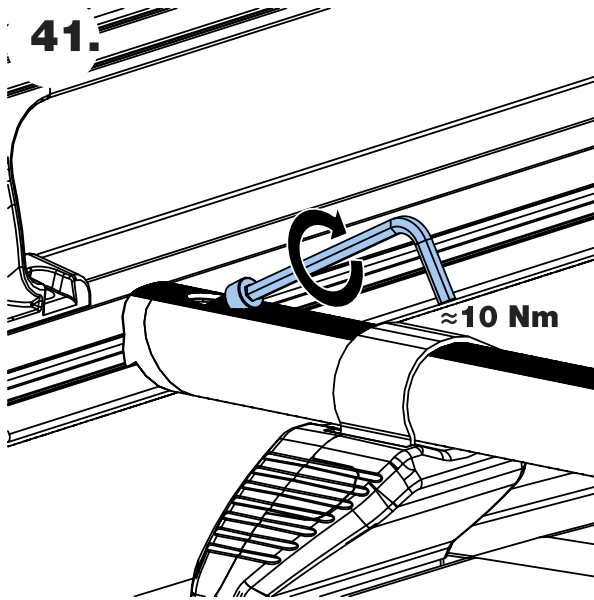
39.



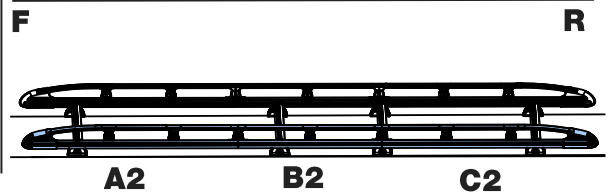
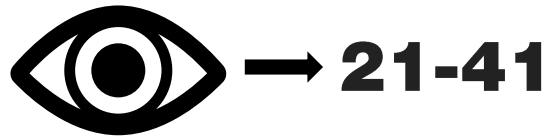
40.



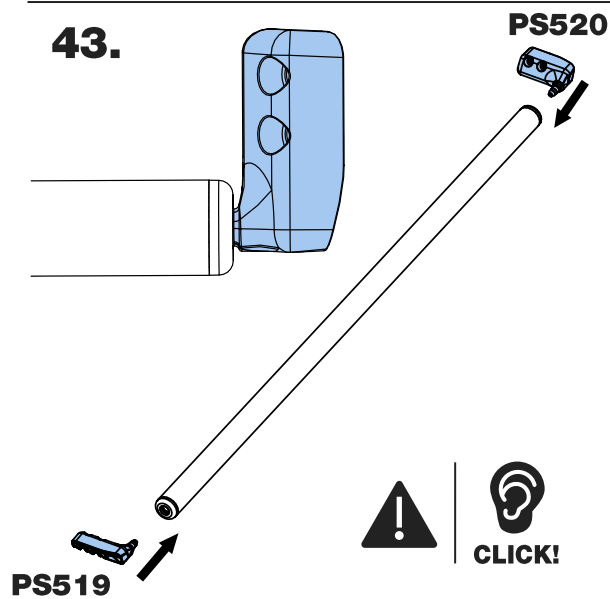
41.



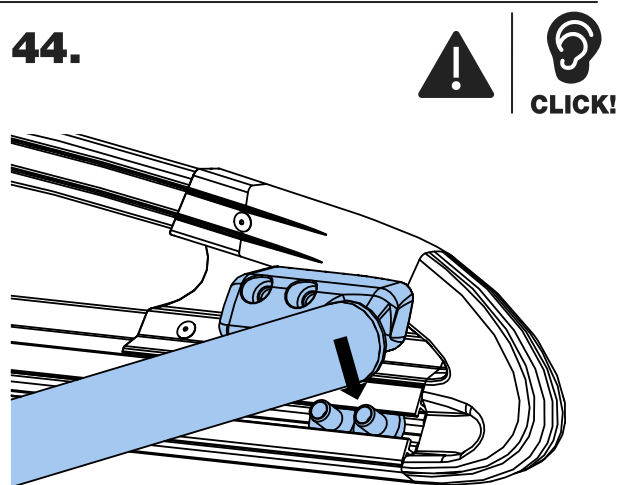
42.



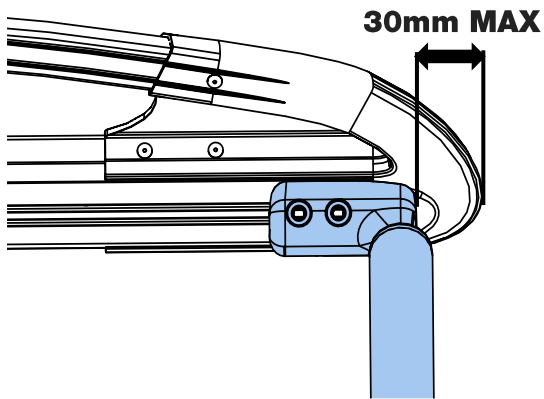
43.



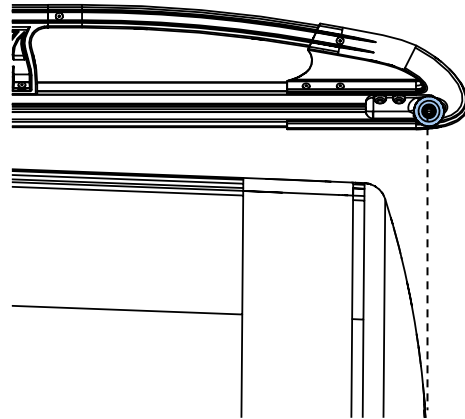
44.



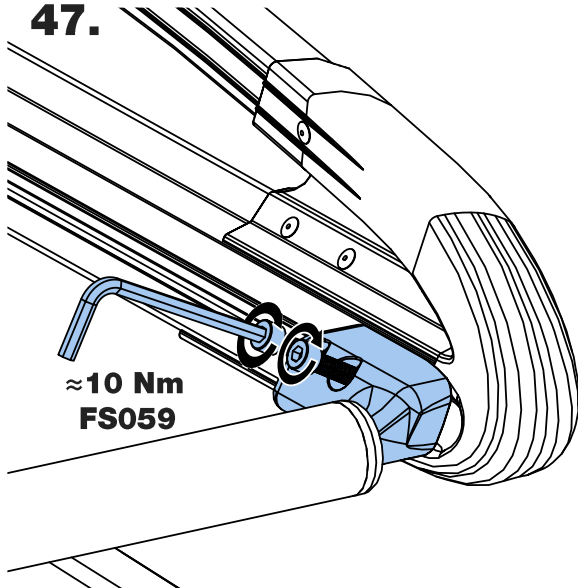
45.



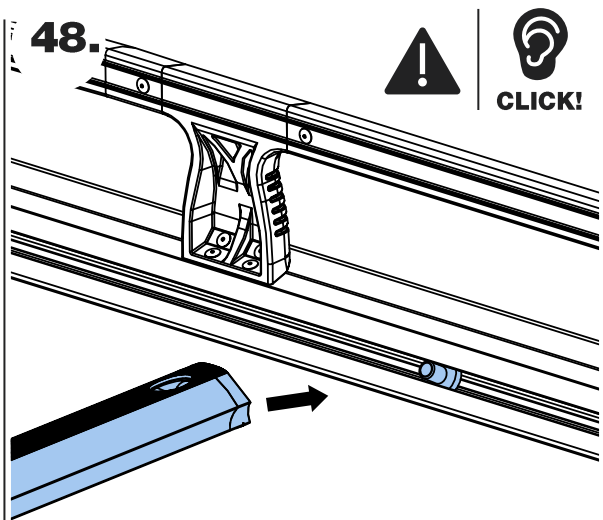
46.



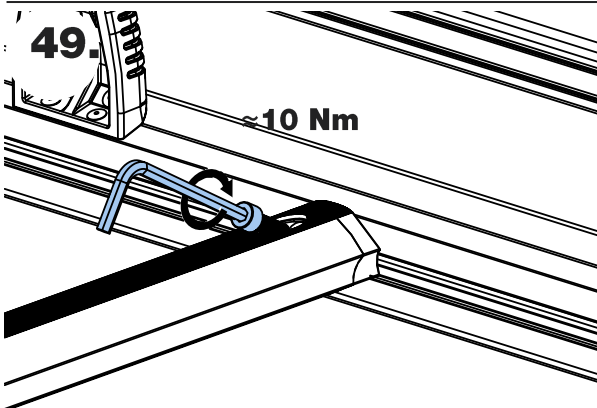
47.



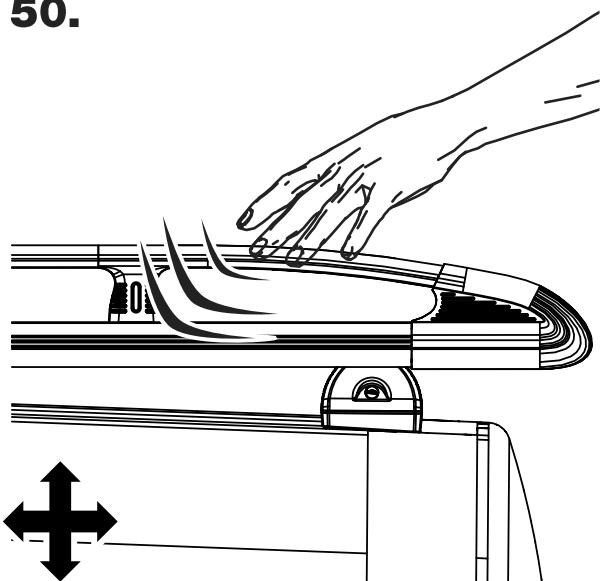
48.



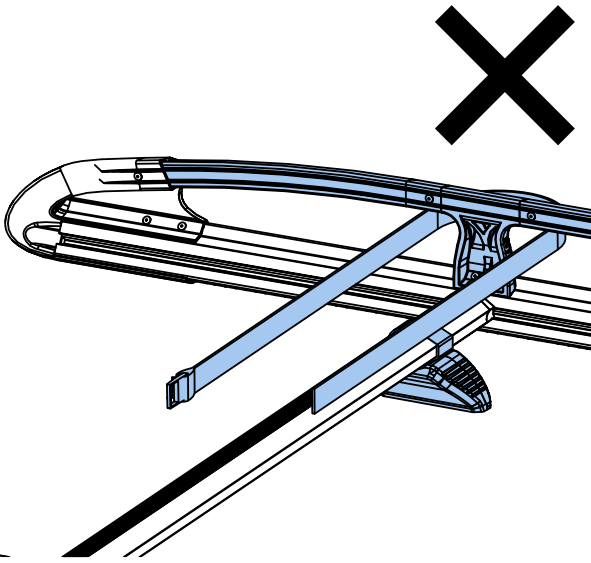
49.



50.



51.



52.

