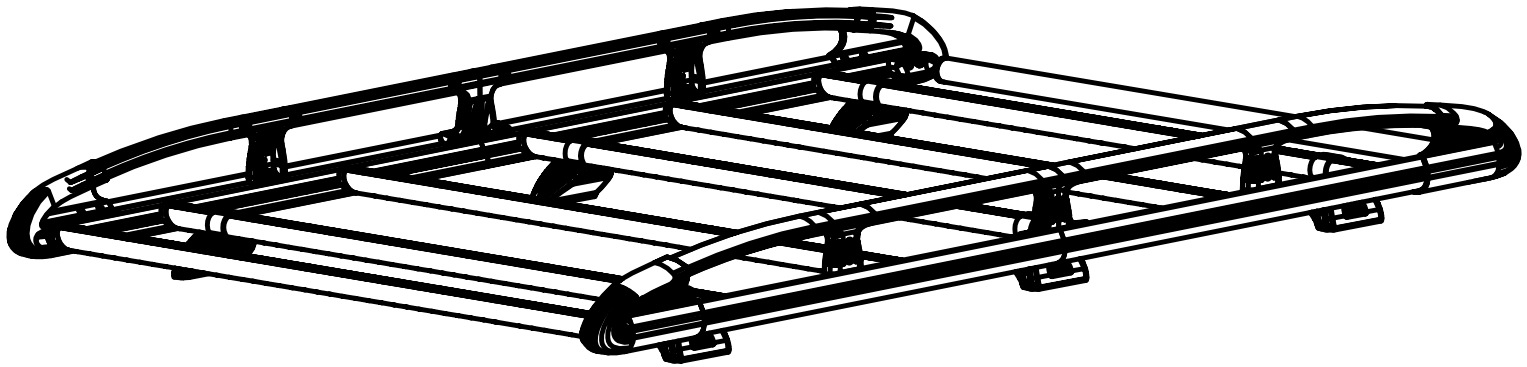


KD4KR

KammRack

Instructions

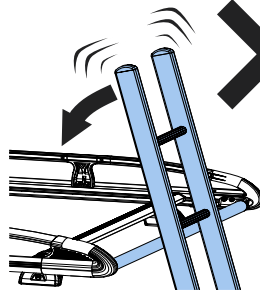
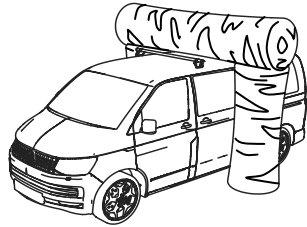
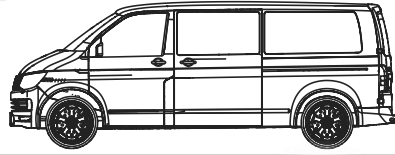


CITY CRASH (✓)

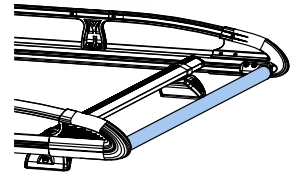
According to ISO/ PAS 11154:2006

KD4KR:

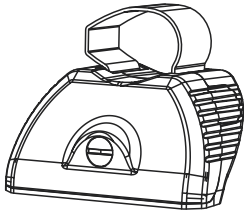
VW Caddy 5, 2020-



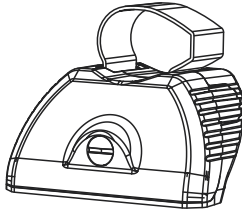
Max
50kg/110lbs



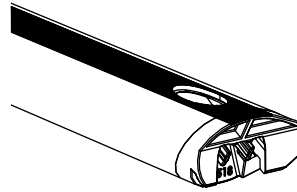
KammRack



SA397U x 4



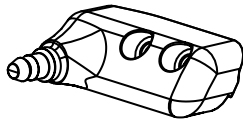
SA398U x 4



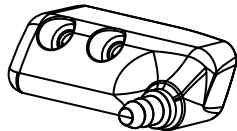
**SA428/S
A466**



C04 x 8
optional upgrade

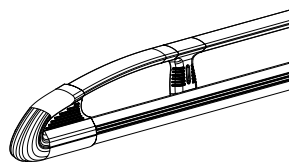


PS519 x 1

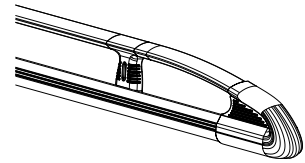


PS520 x 1

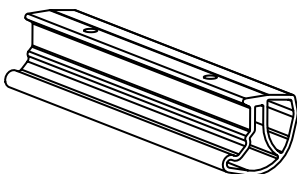
LHS x 2



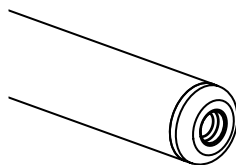
RHS x 2



ASF x 1

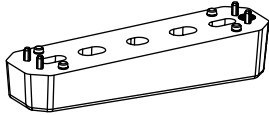


EXT15-02 x 2

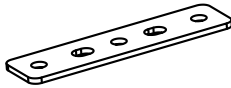


SA436 x 1

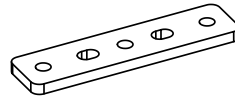
Fitting Kit



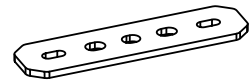
PS176 x 4



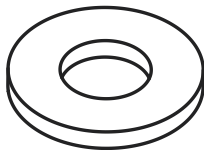
PS023 x 4



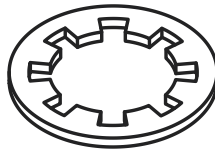
PS319 x 4



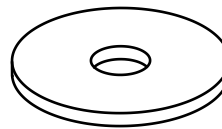
PS404 x 4



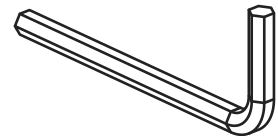
FW002 (M8) x 8



FW009 (M8) x 8



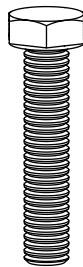
PS208 (M8) x 8



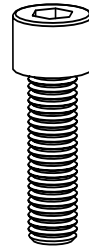
FT01 x 1



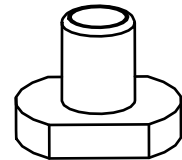
FS081 (M8 x 50) x 4



FS061 (M8 x 35) x 4



FS059 (M8 x 25) x 16

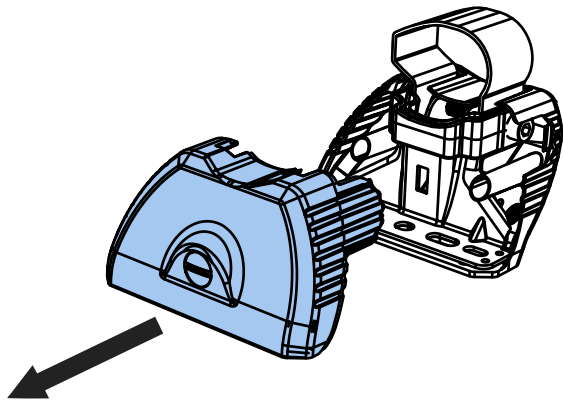


FN085 x 16

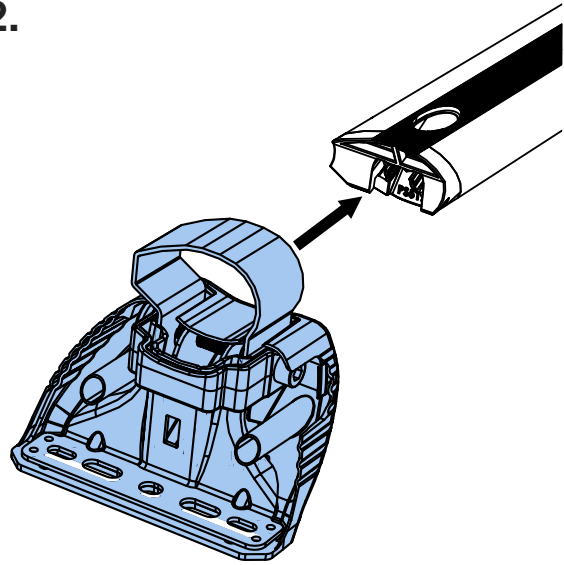


FT05 x 1

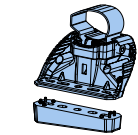
1.



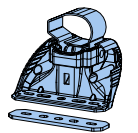
2.



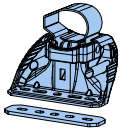
3.



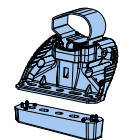
SA397U
PS176



SA397U
PS404

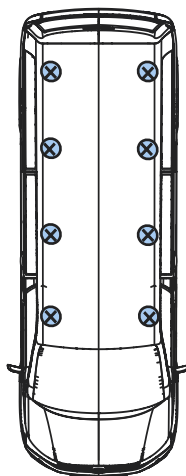


SA397U
PS404



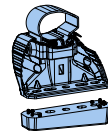
SA397U
PS176

R

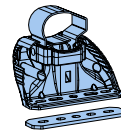


F

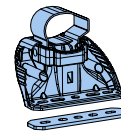
SA398U
PS176



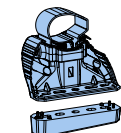
SA398U
PS404



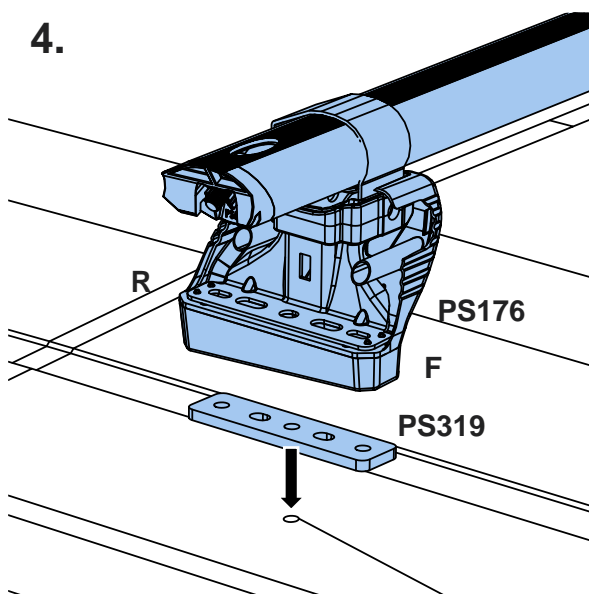
SA398U
PS404



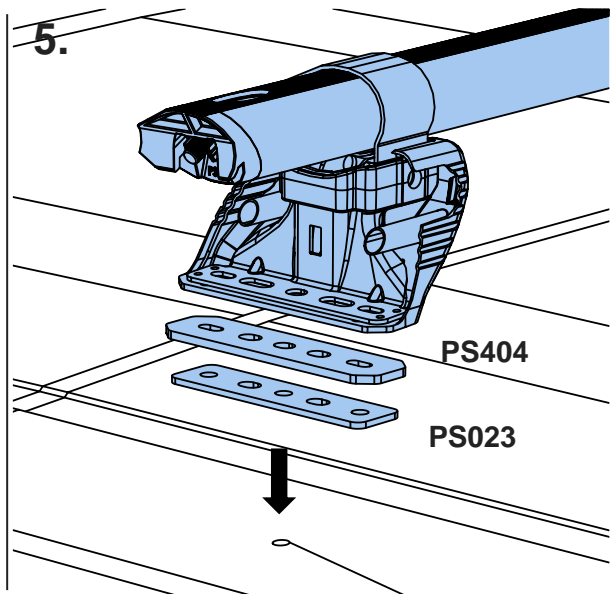
SA398U
PS176

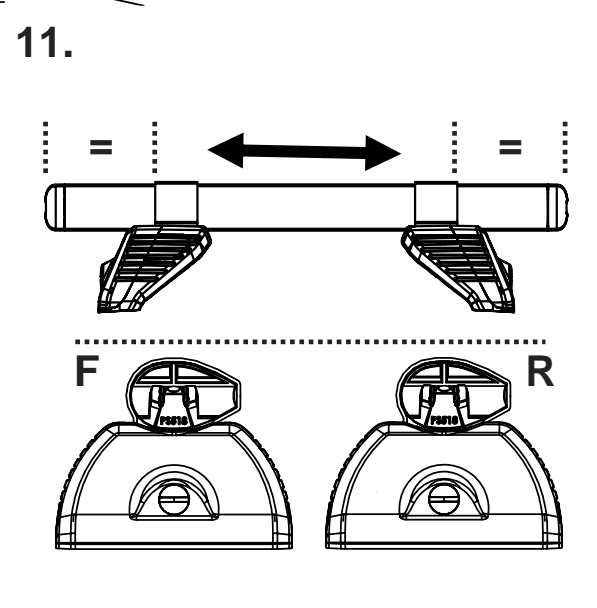
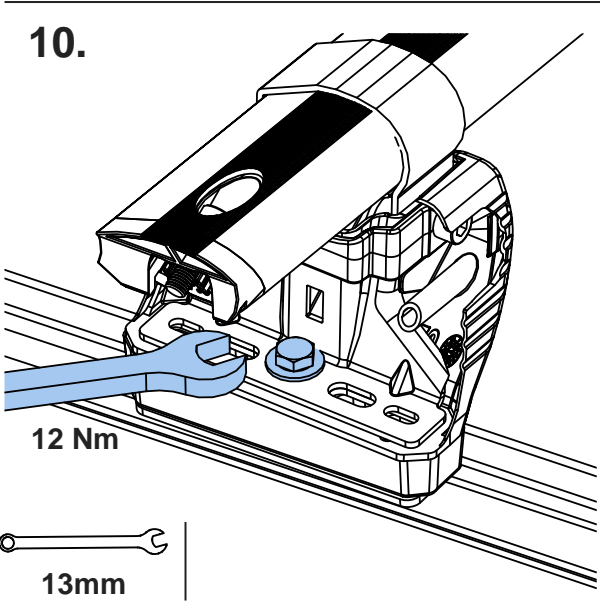
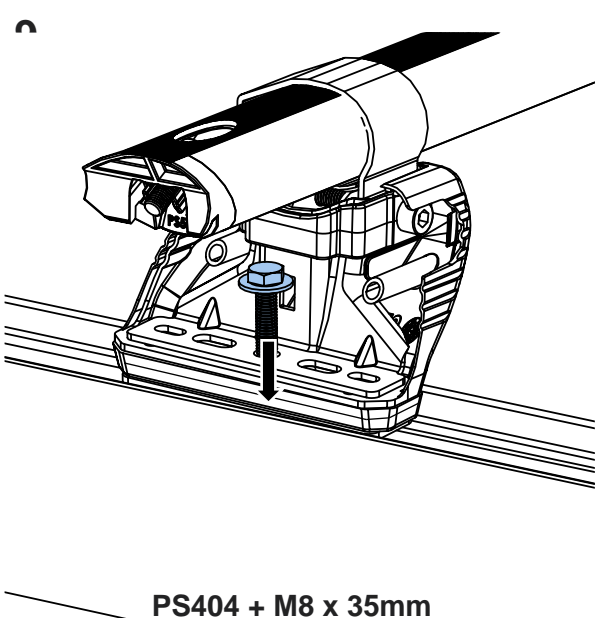
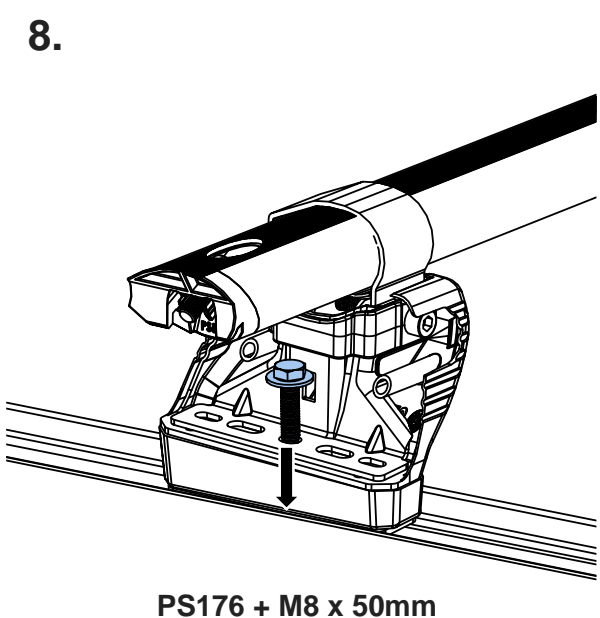
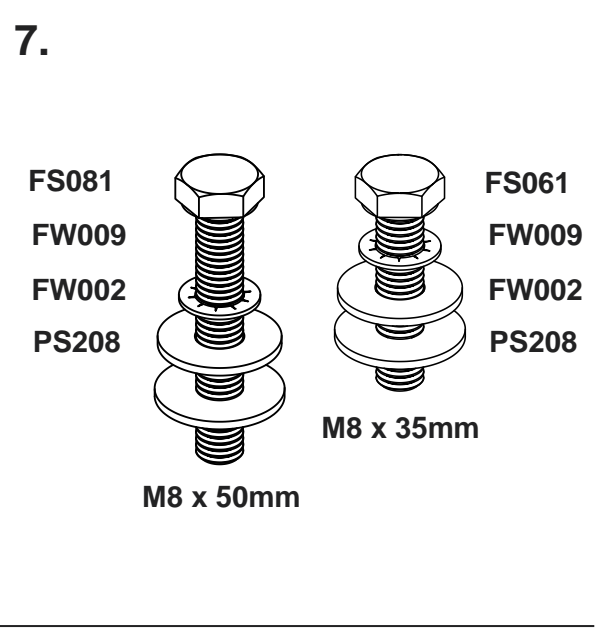
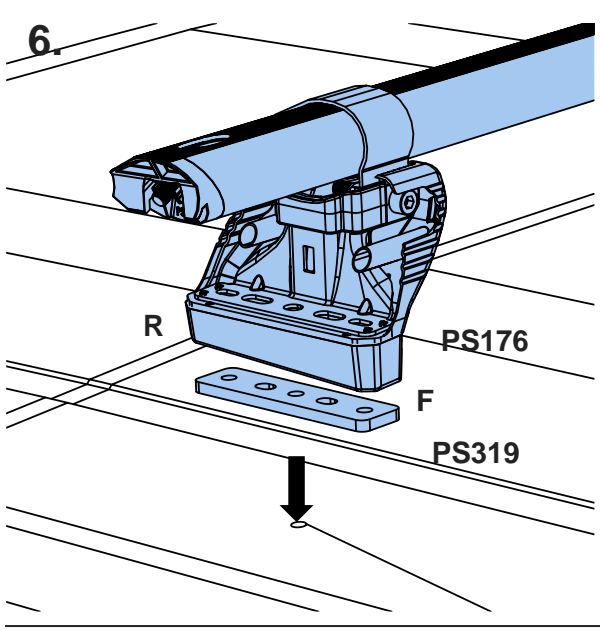


4.

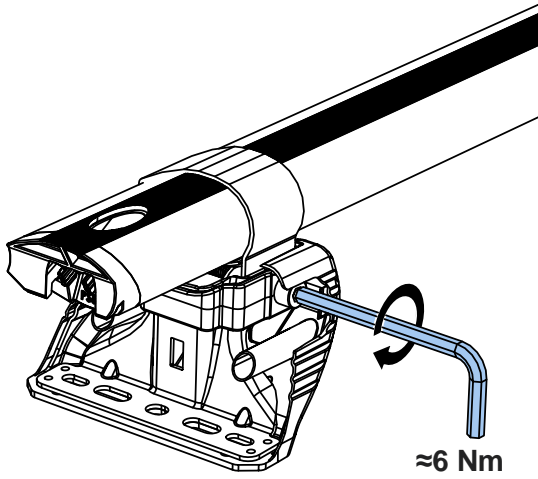


5.

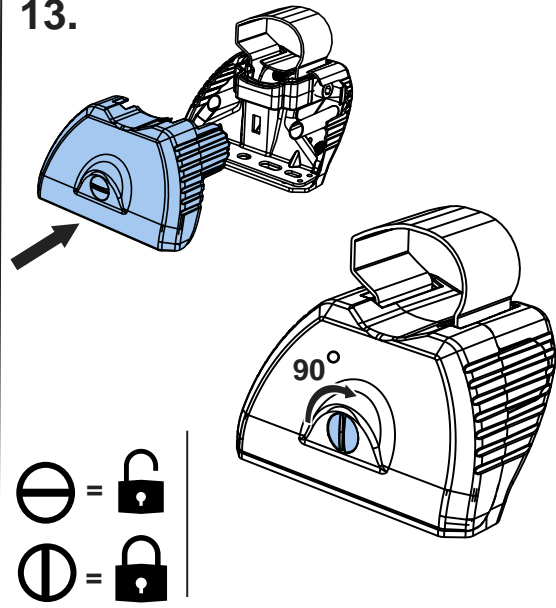




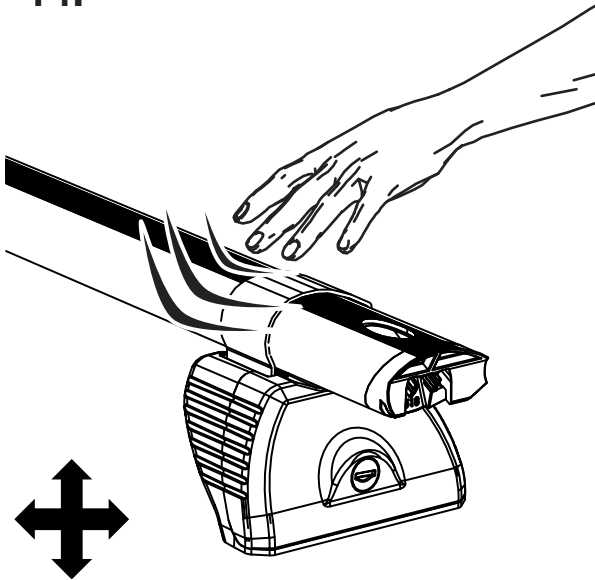
12.



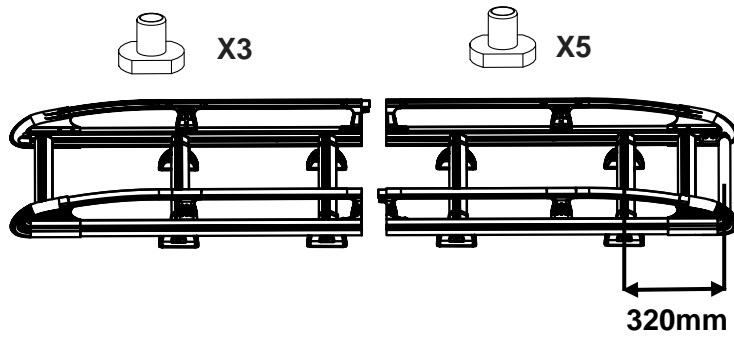
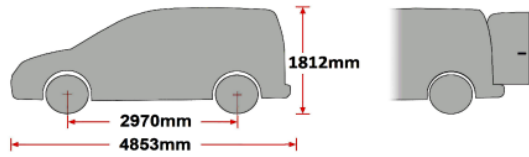
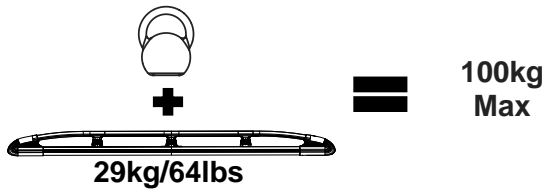
13.



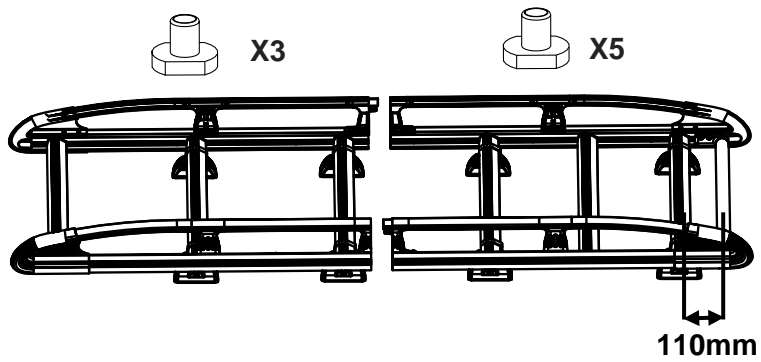
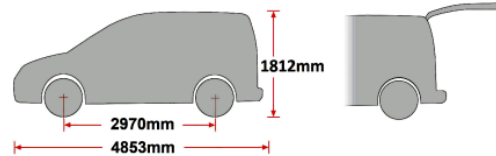
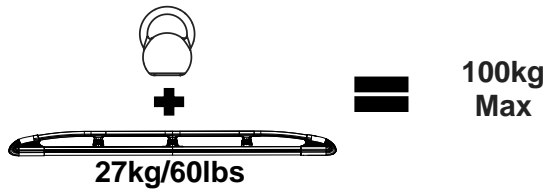
14.



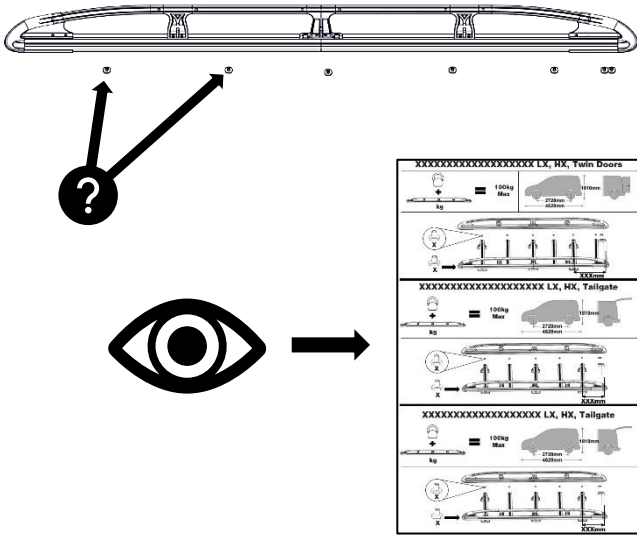
K683/B683- VW Caddy 5 2020- L2, Twin Doors



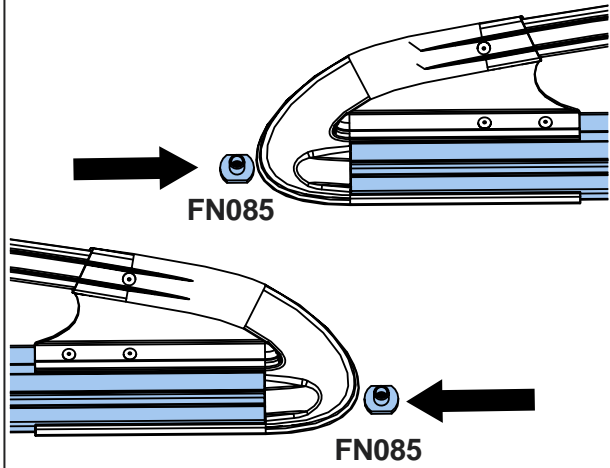
K684/B684- VW Caddy 5 2020- L2, Tailgate



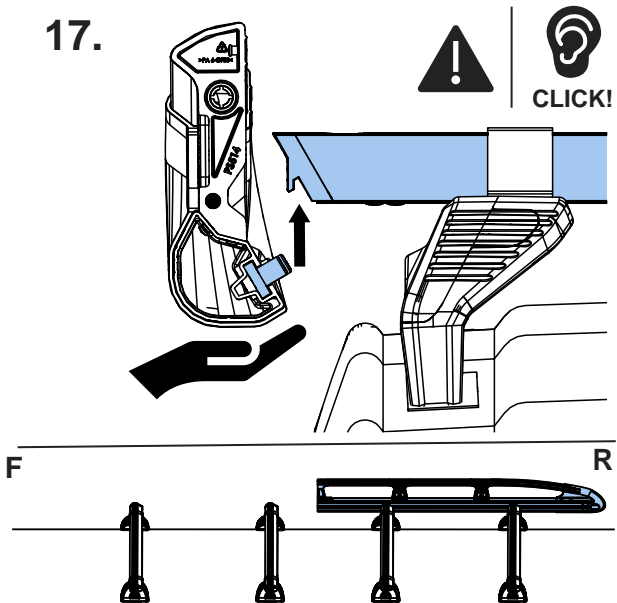
15.



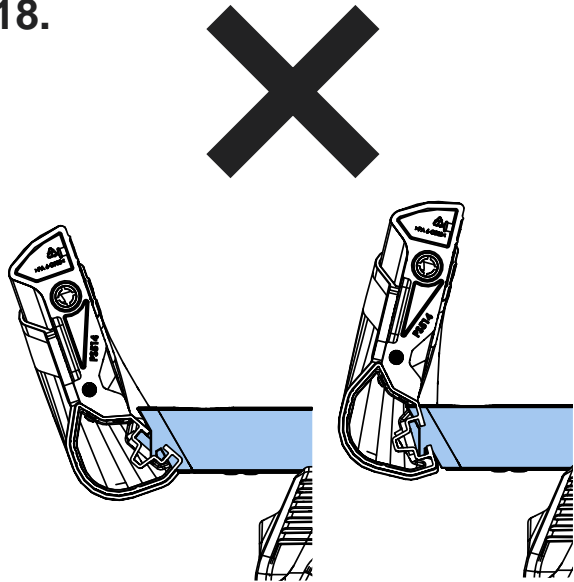
16.



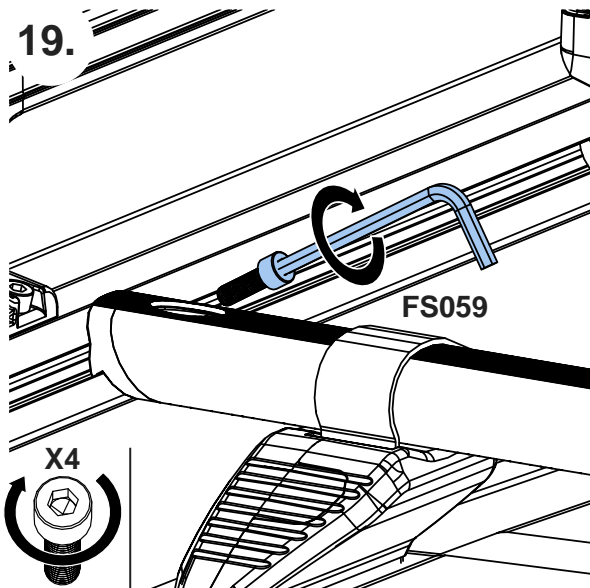
17.



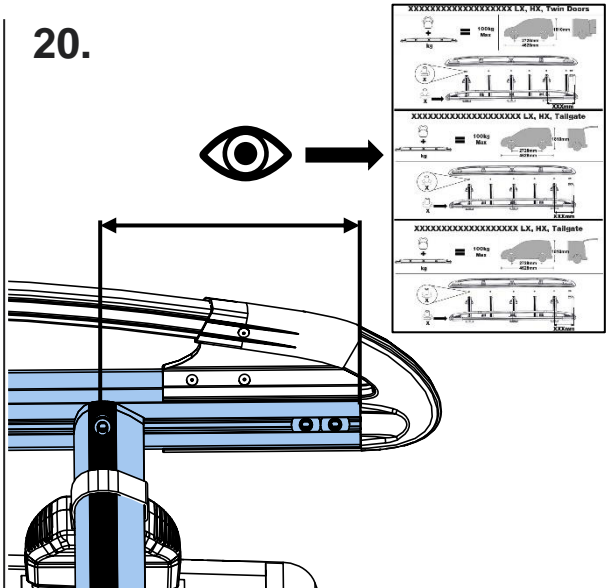
18.

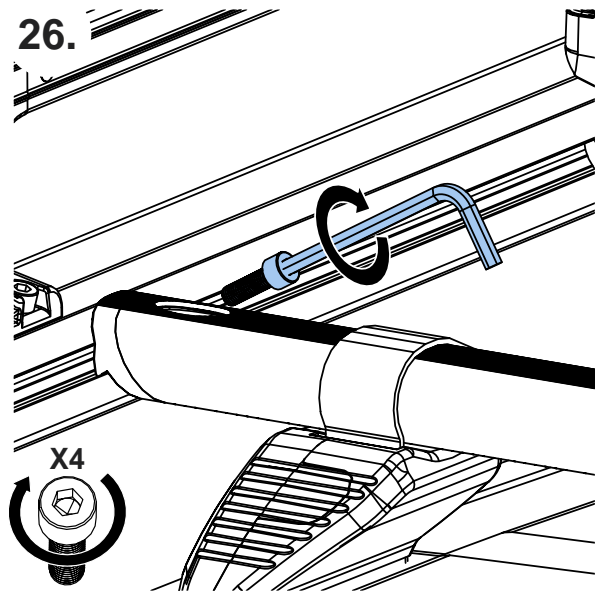
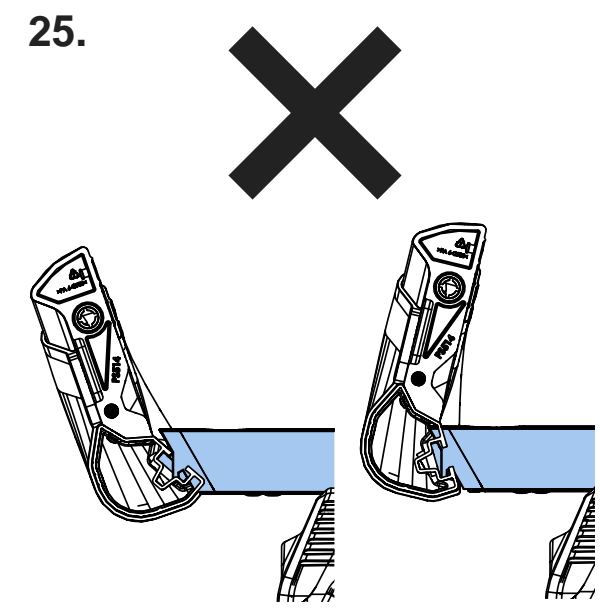
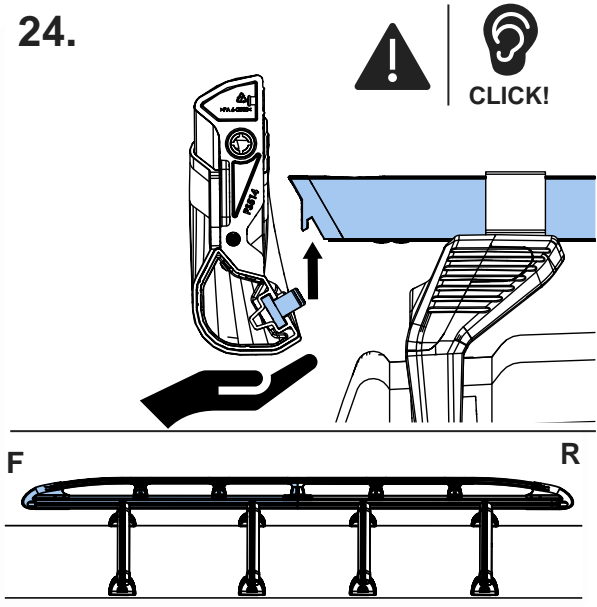
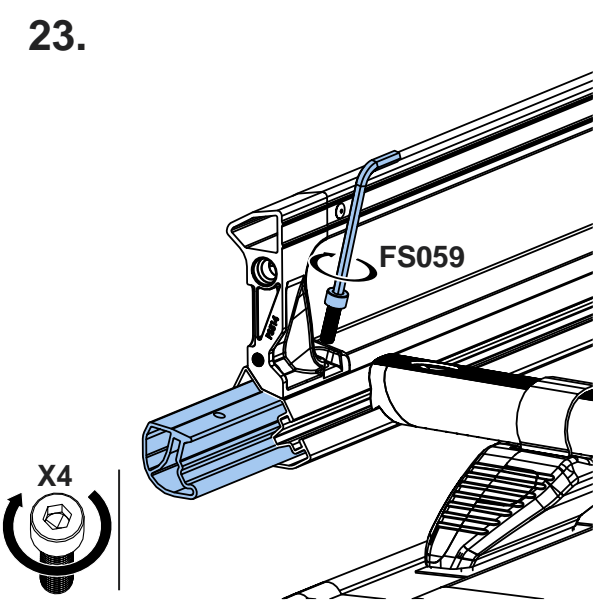
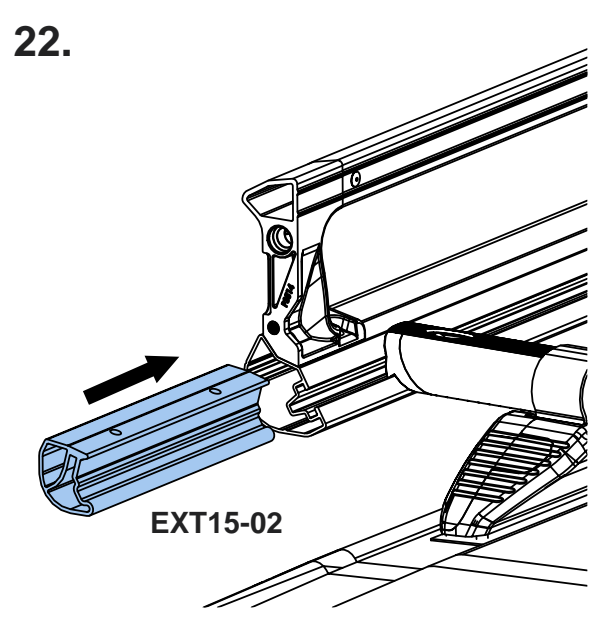
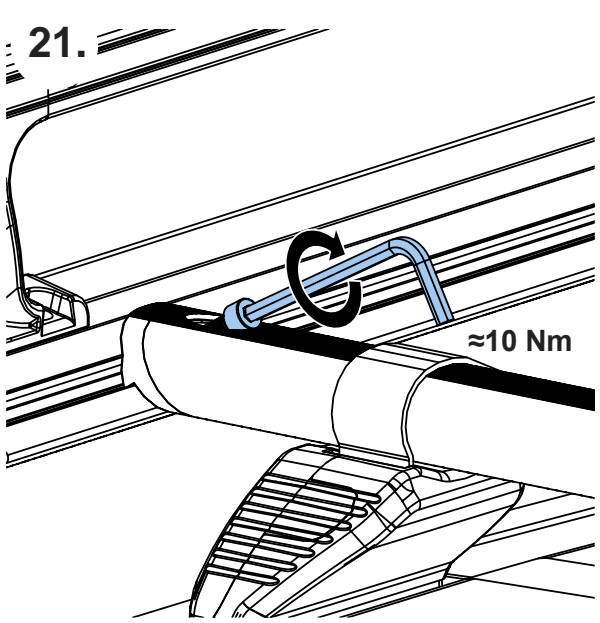


19.

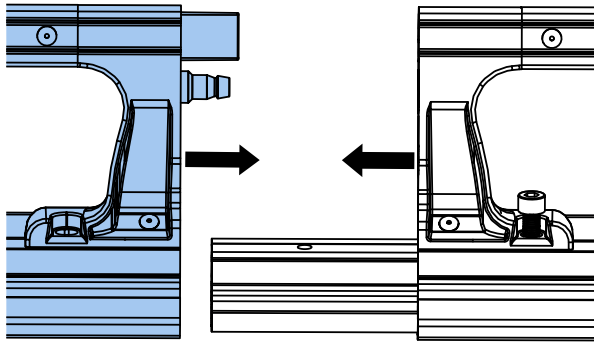


20.

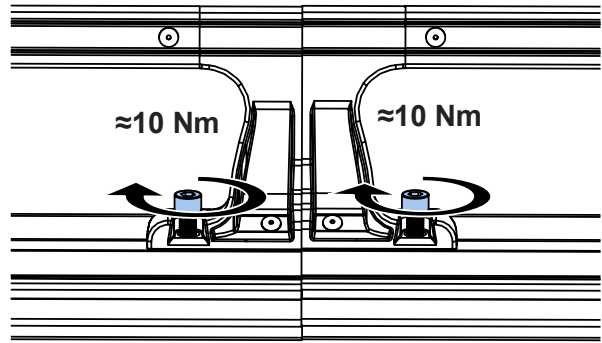




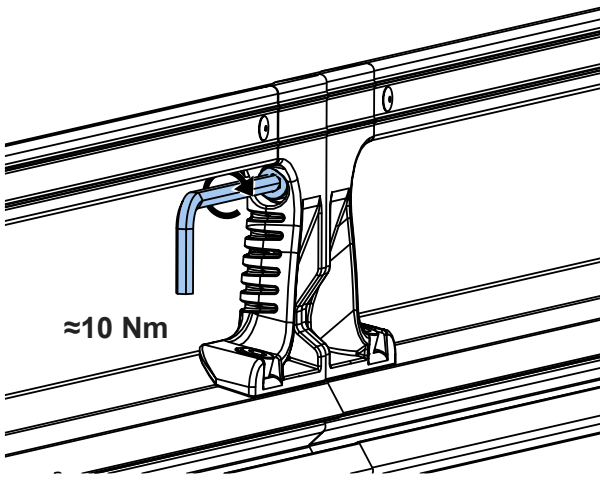
27.



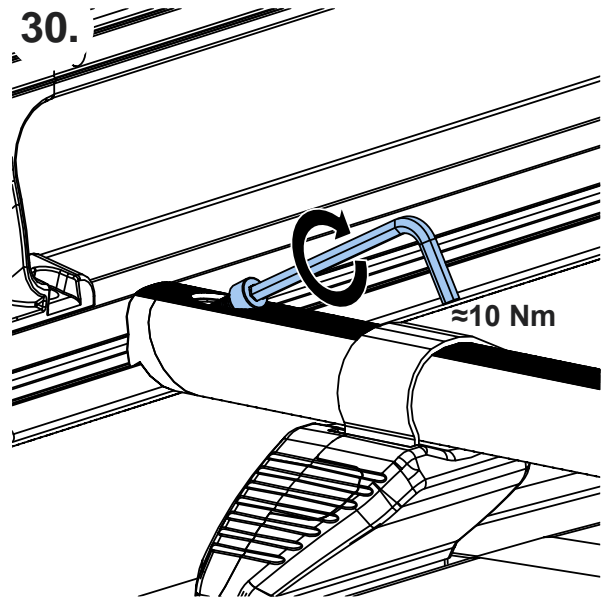
28.



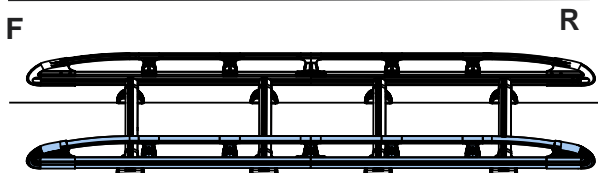
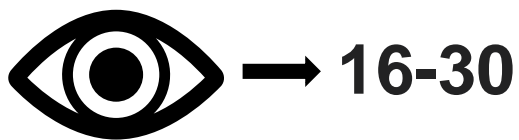
29.



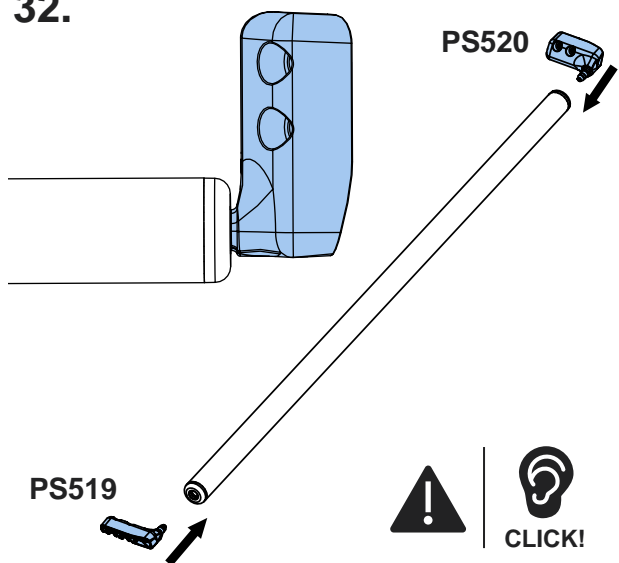
30.



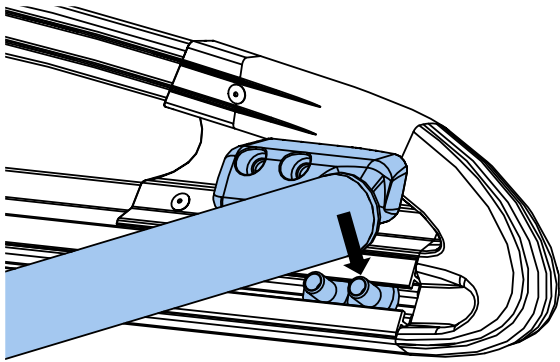
31.



32.

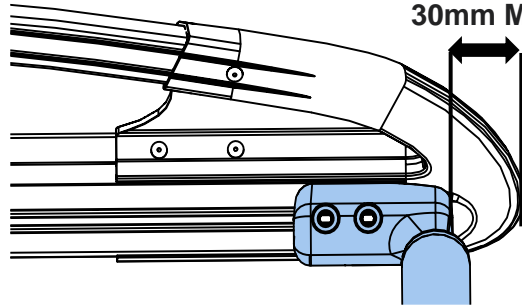


33.

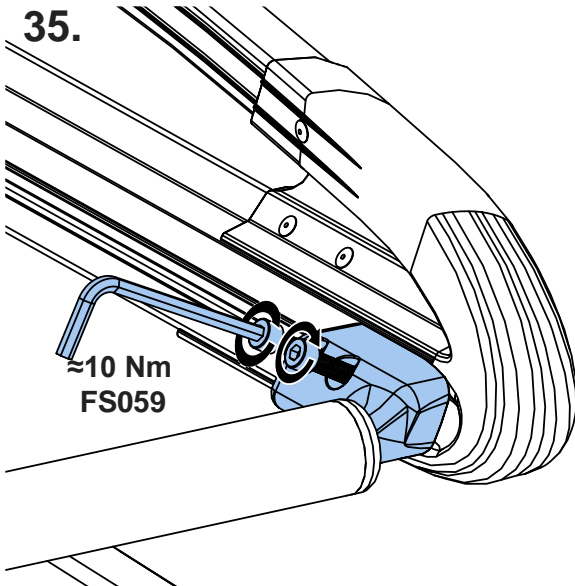


34.

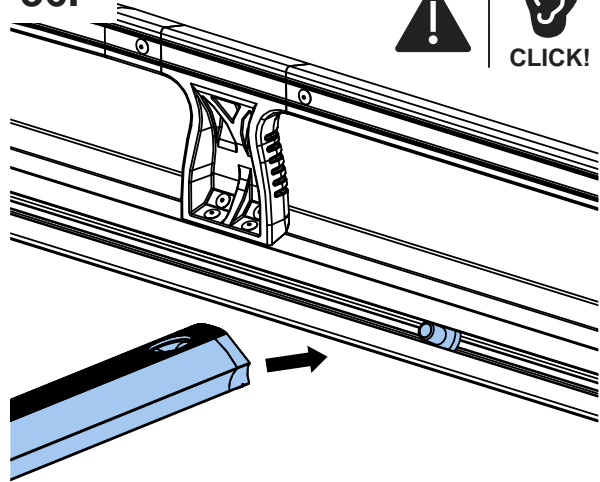
30mm MAX



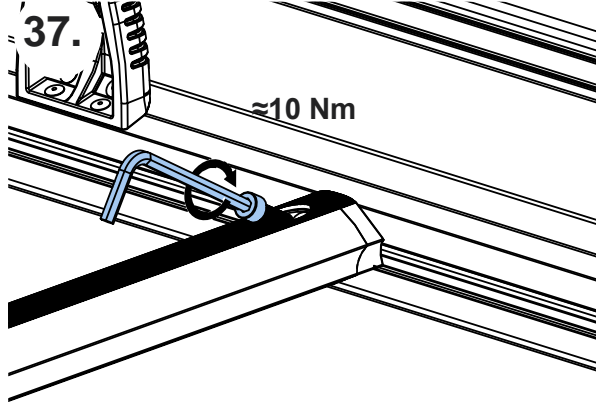
35.



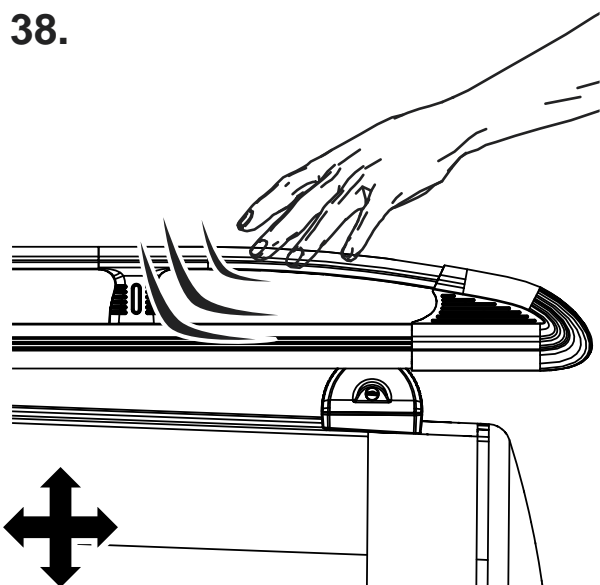
36.



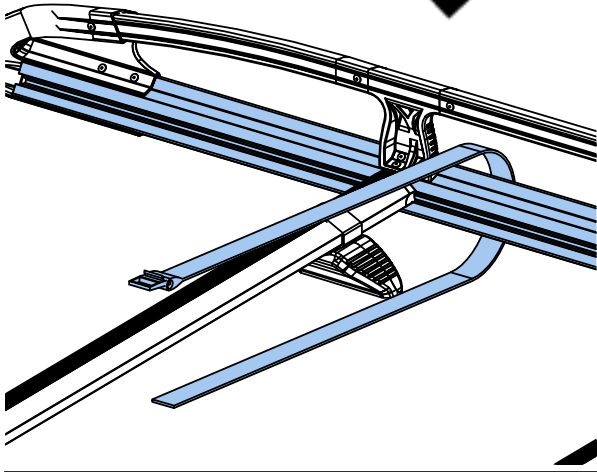
37.



38.



39.



40.

