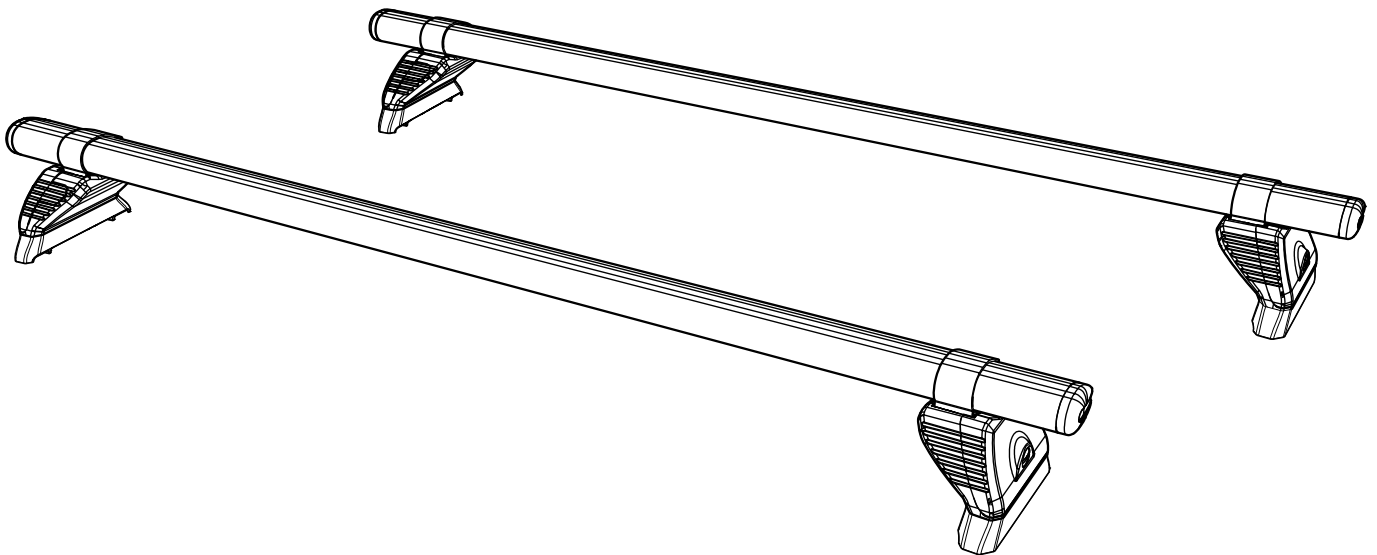


TF2PR/FL

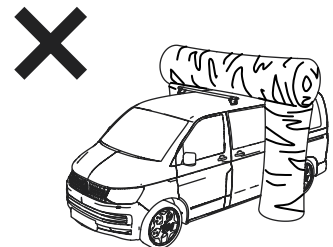
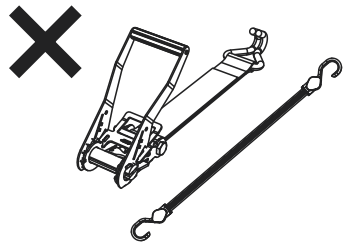
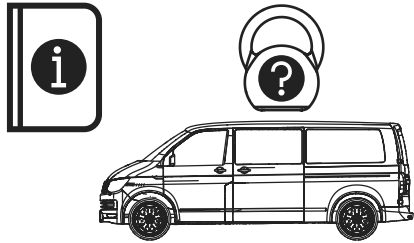
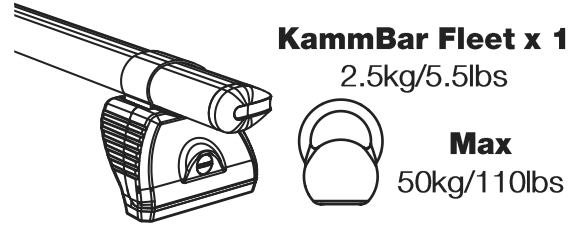
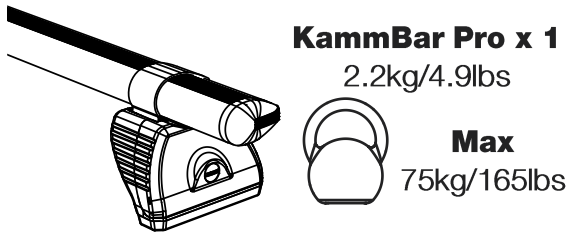
KammBar

Instructions

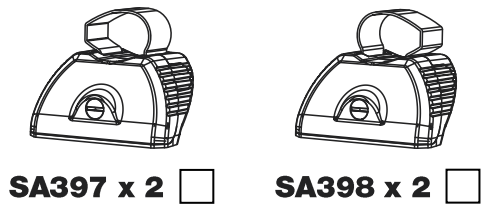
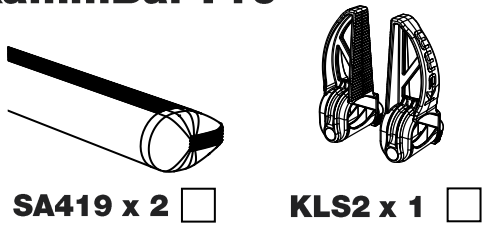


CITY CRASH (✓)

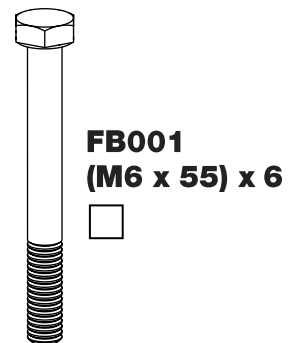
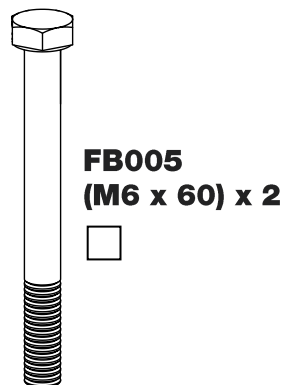
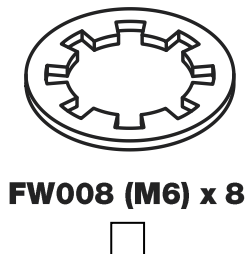
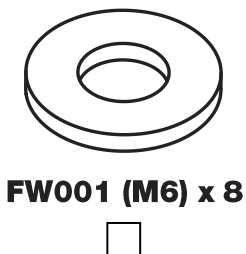
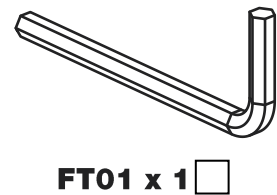
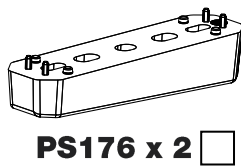
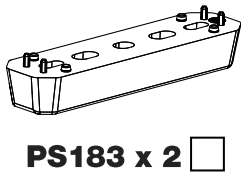
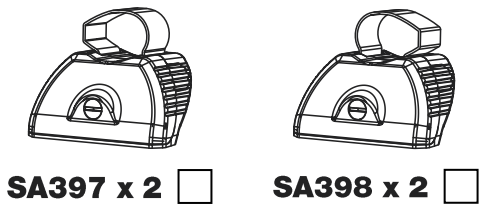
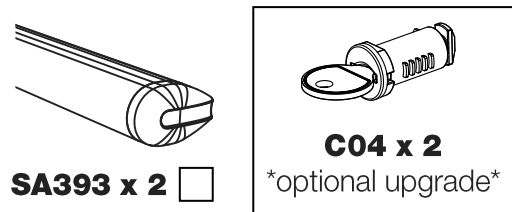
According to ISO/ PAS 11154:2006



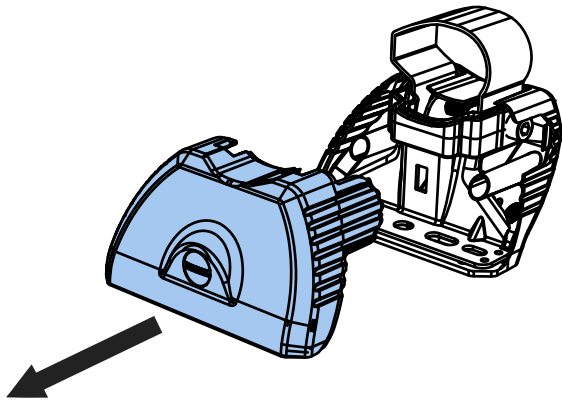
KammBar Pro



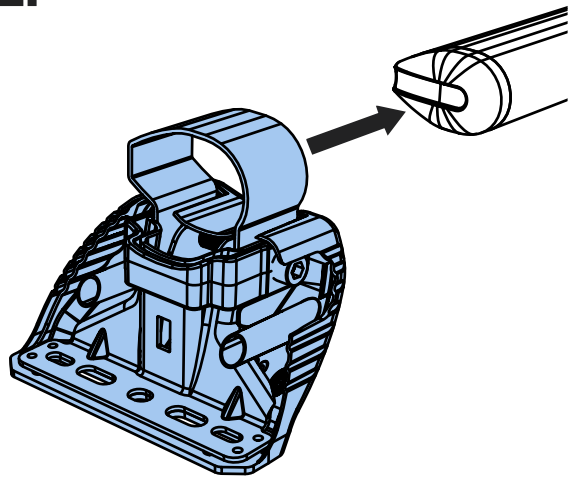
KammBar Fleet



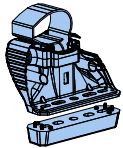
1.



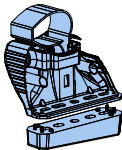
2.



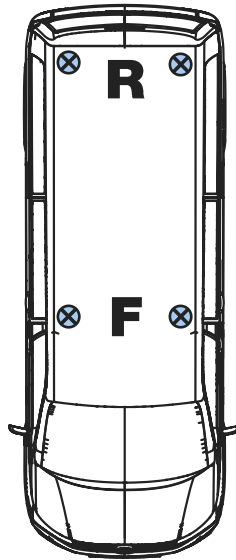
3.



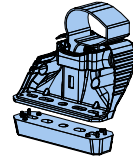
SA397
PS183



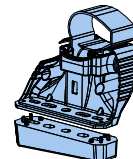
SA397
PS176



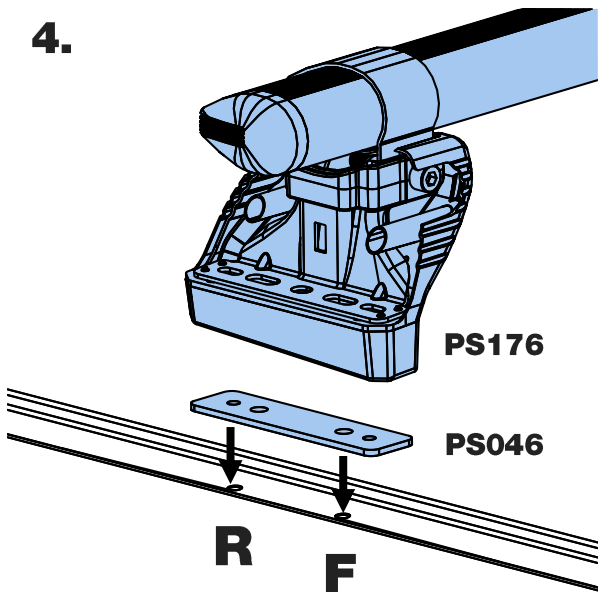
SA398
PS183



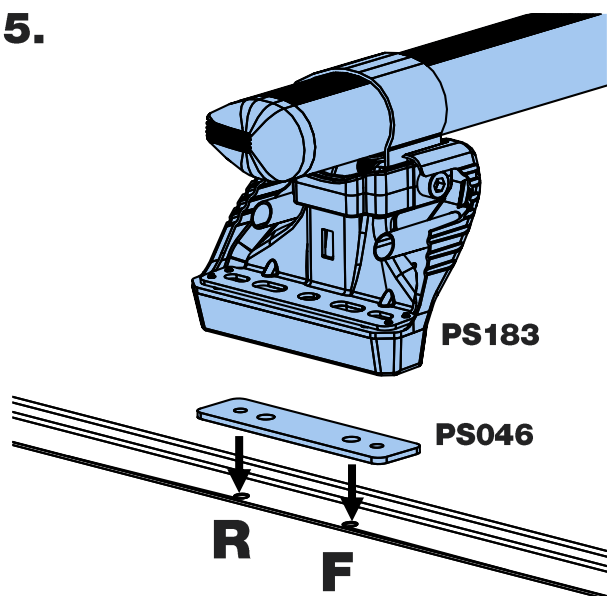
SA398
PS176



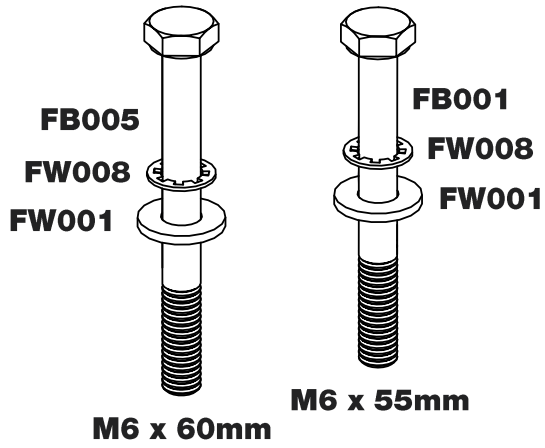
4.



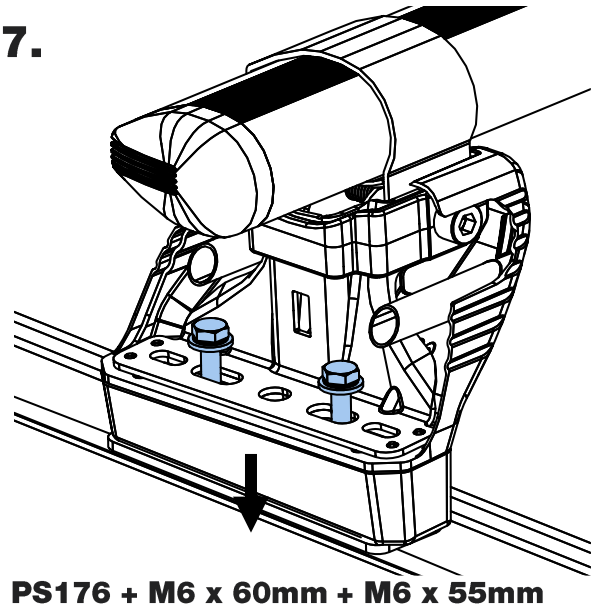
5.



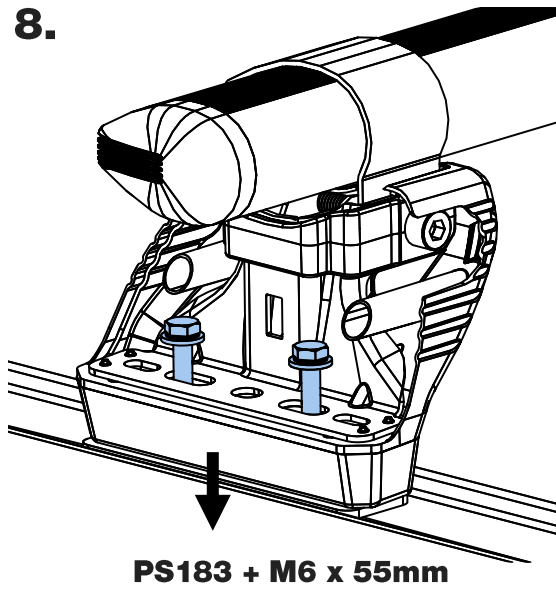
6.



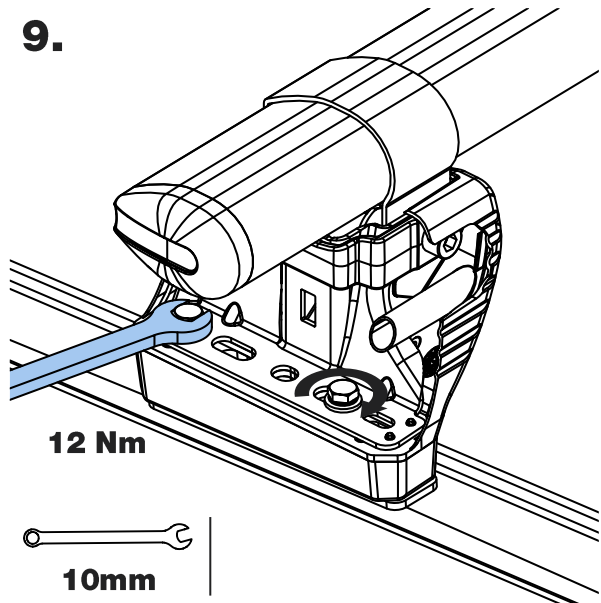
7.



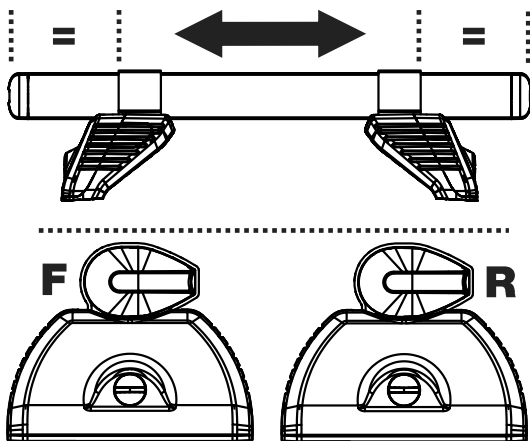
8.



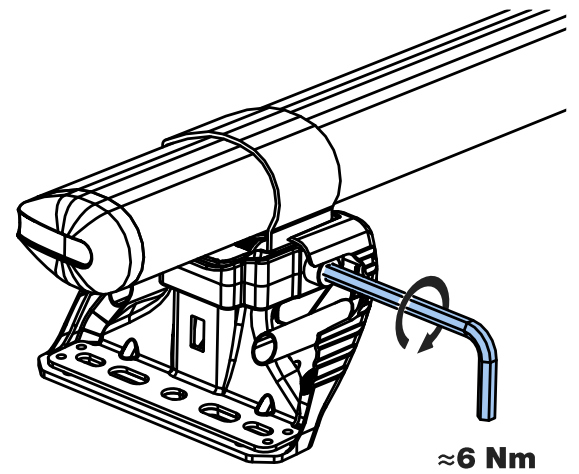
9.



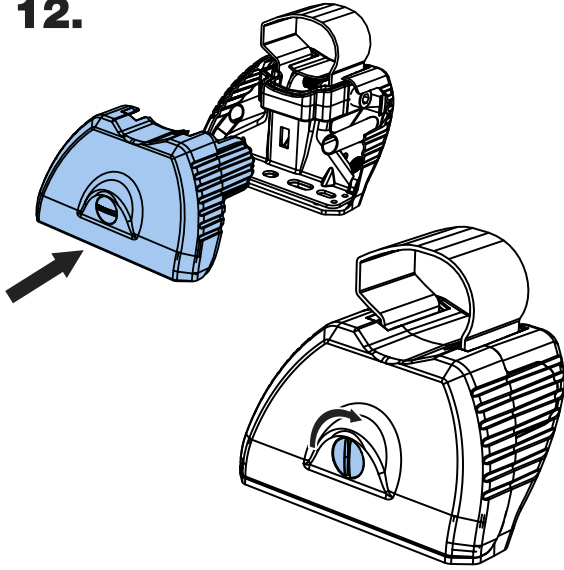
10.



11.



12.



13.

