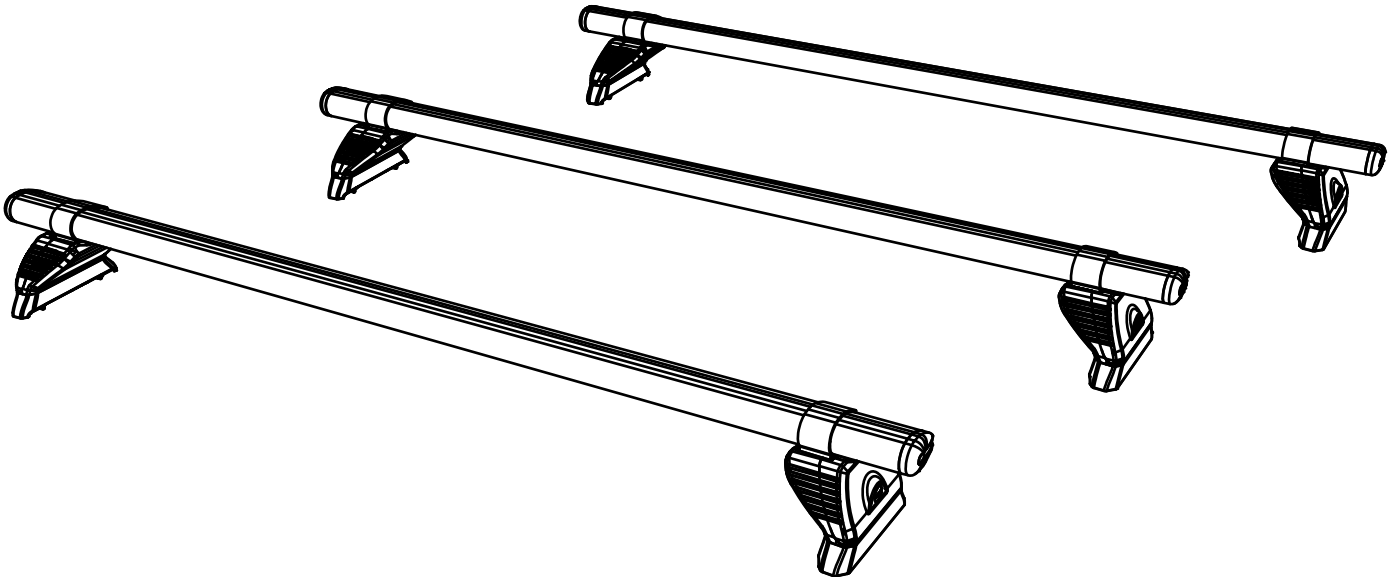


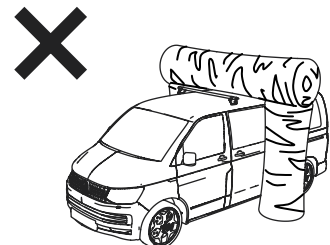
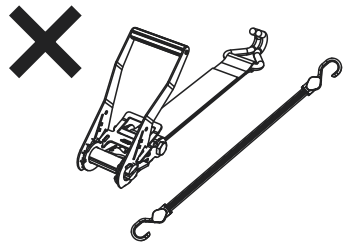
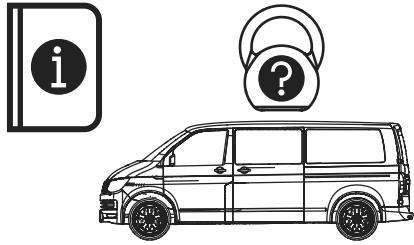
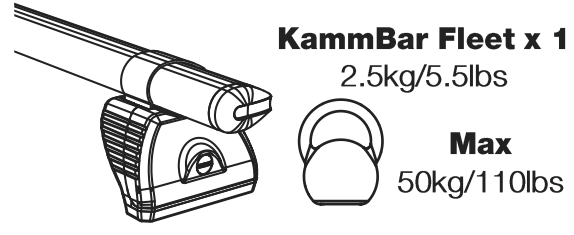
T53PR/FL KammBar

Instructions

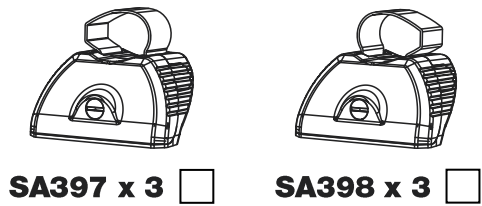
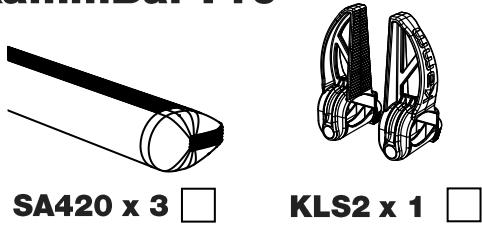


CITY CRASH (✓)

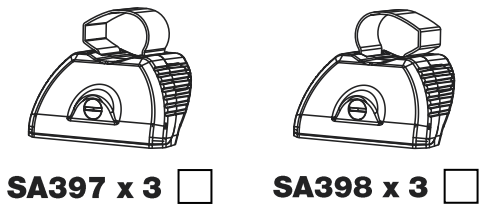
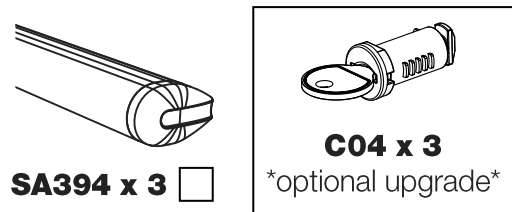
According to ISO/ PAS 11154:2006



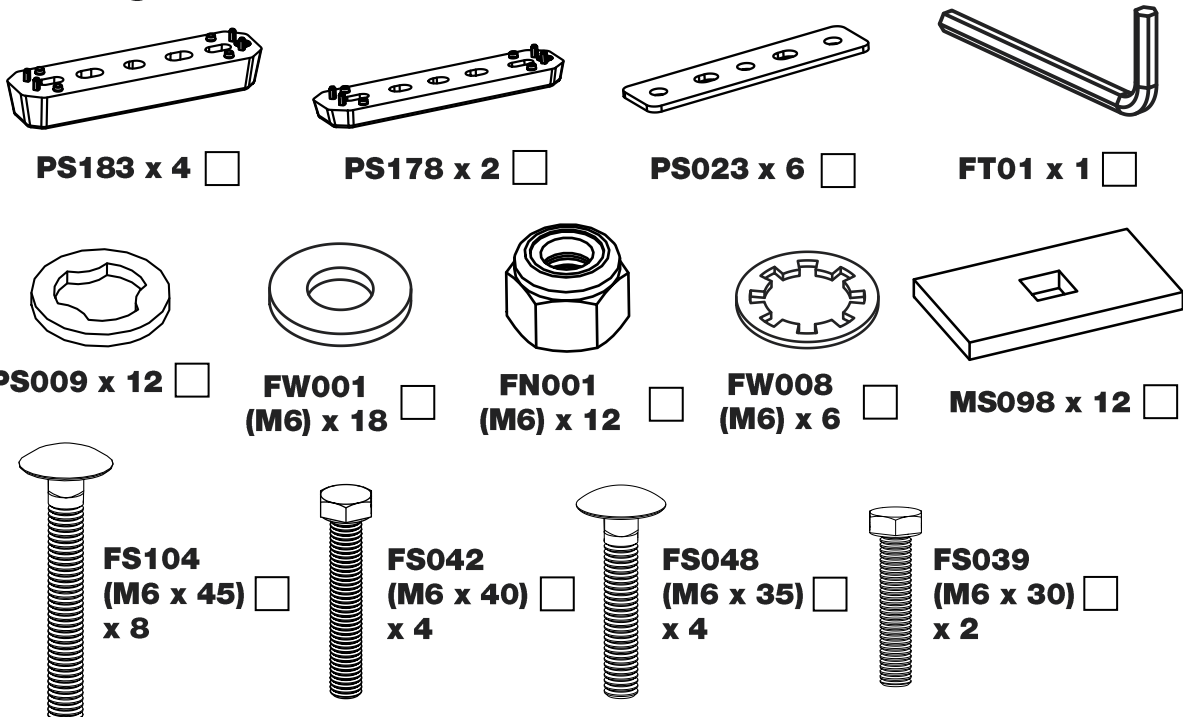
KammBar Pro



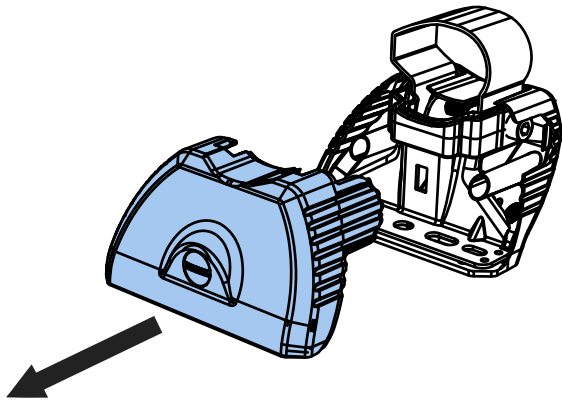
KammBar Fleet



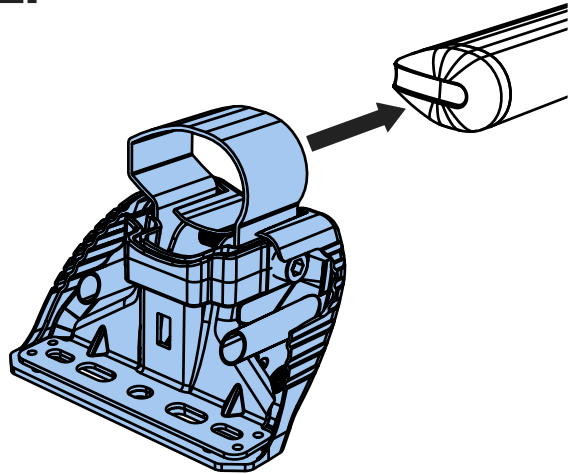
Fitting Kit



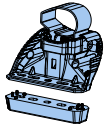
1.



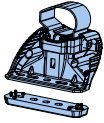
2.



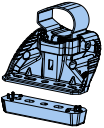
3.



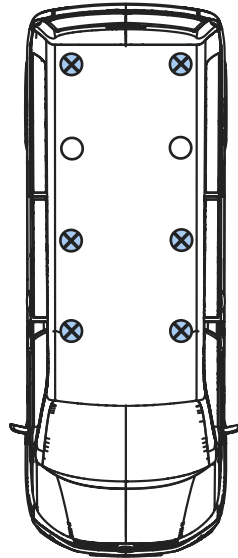
SA397
PS183



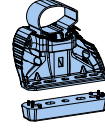
SA397
PS178



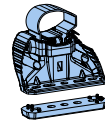
SA397
PS183



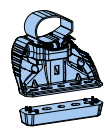
SA398
PS183



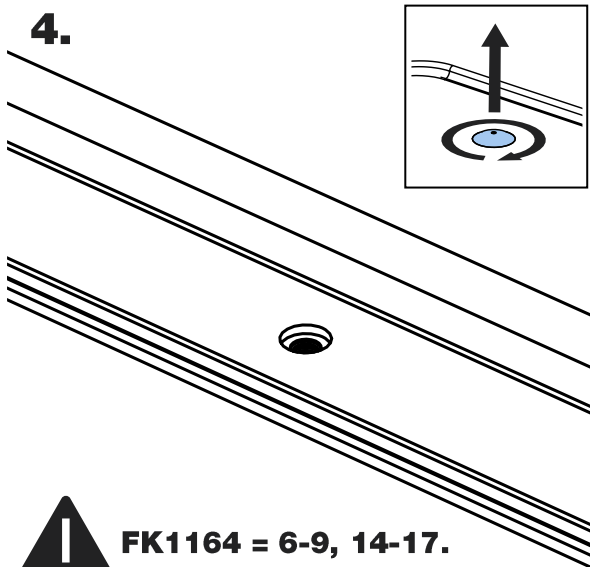
SA398
PS178



SA398
PS183

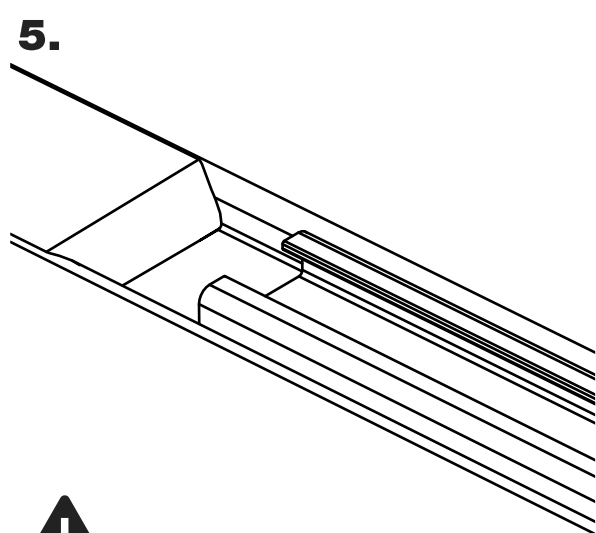


4.

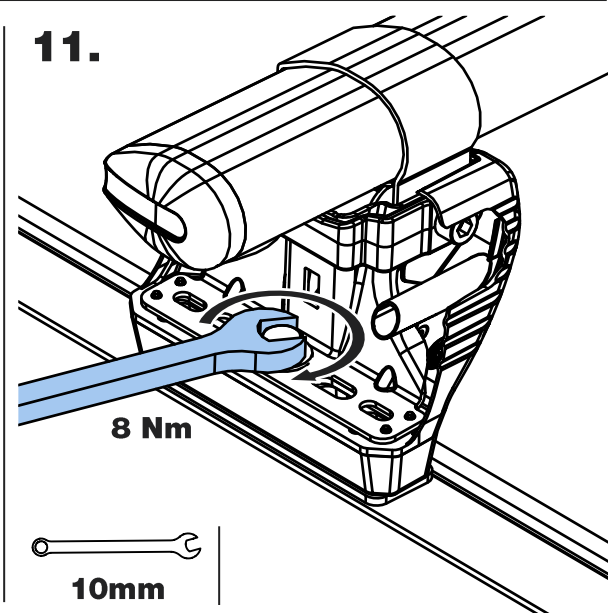
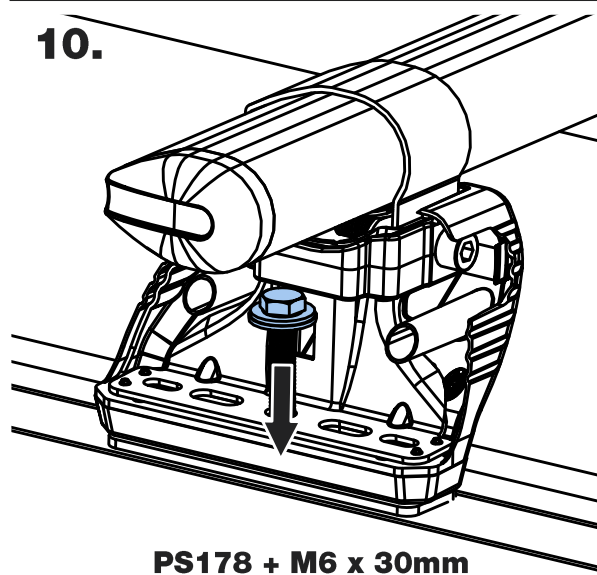
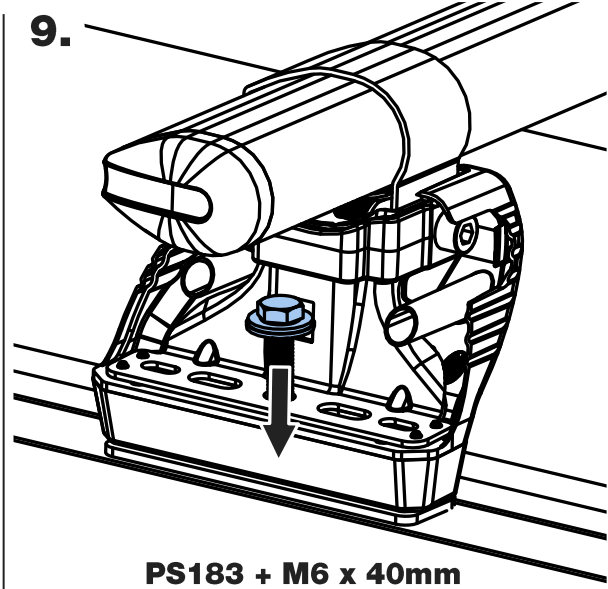
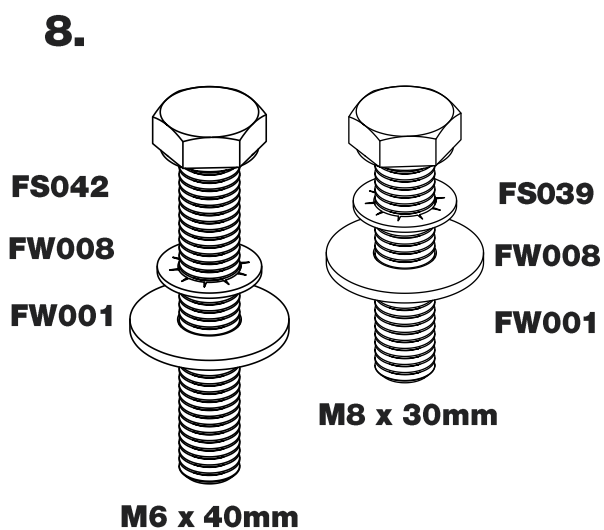
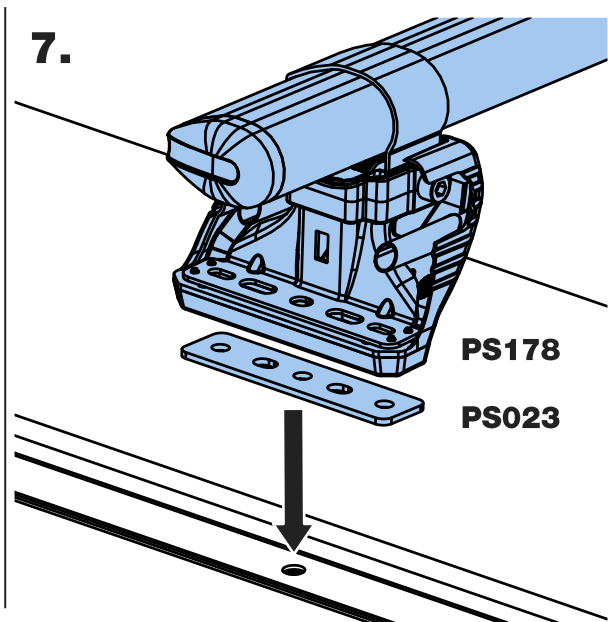
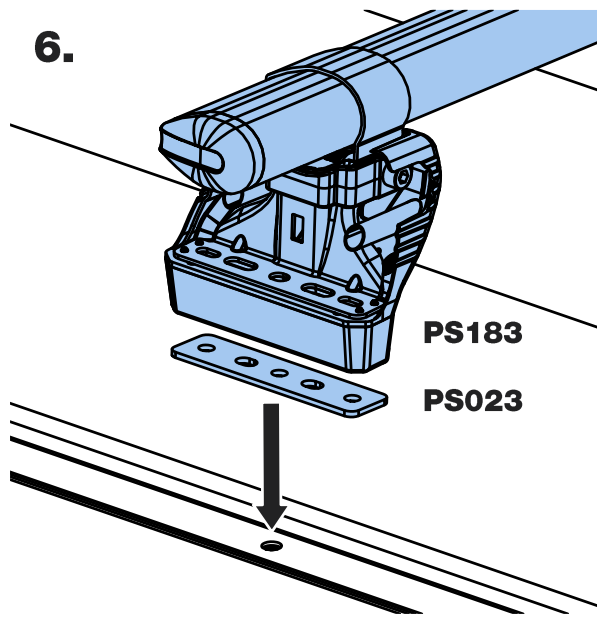


FK1164 = 6-9, 14-17.

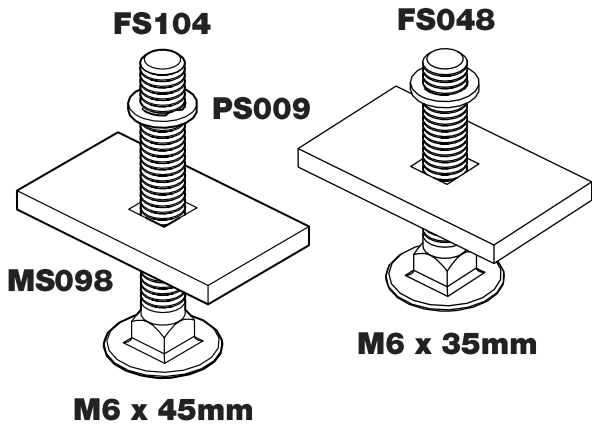
5.



FK1165 = 10-17.

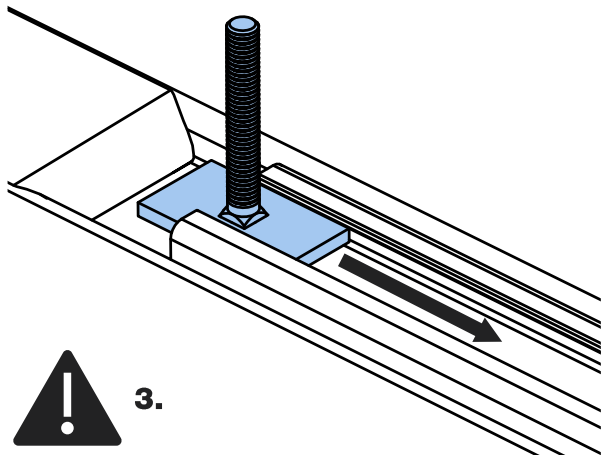


12.

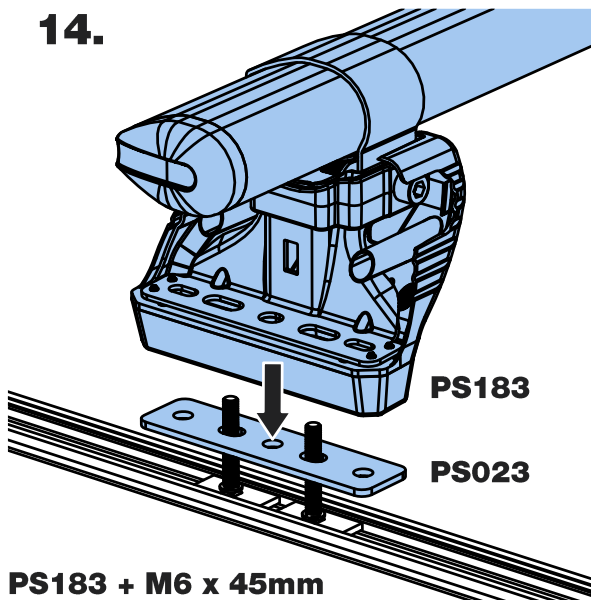


13.

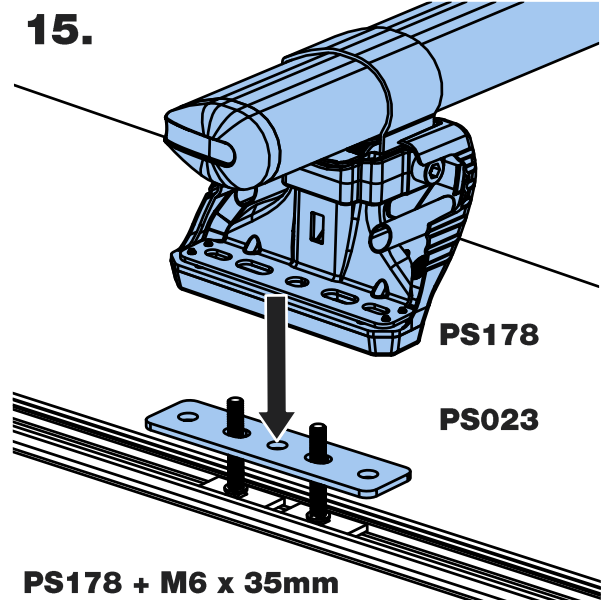
- 1st. M6 x 45mm x 2
- 2nd. M6 x 35mm x 2
- 3rd. M6 x 45mm x 2



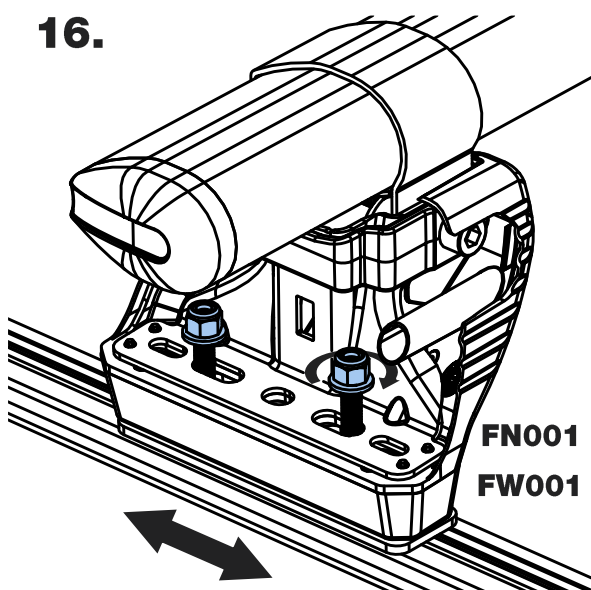
14.



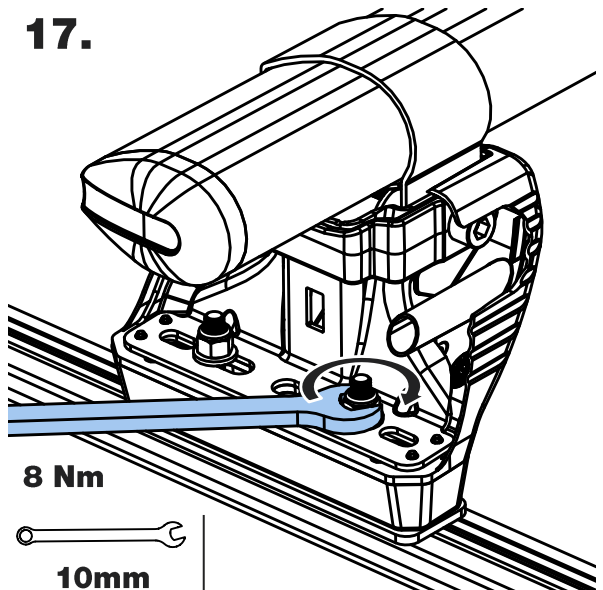
15.



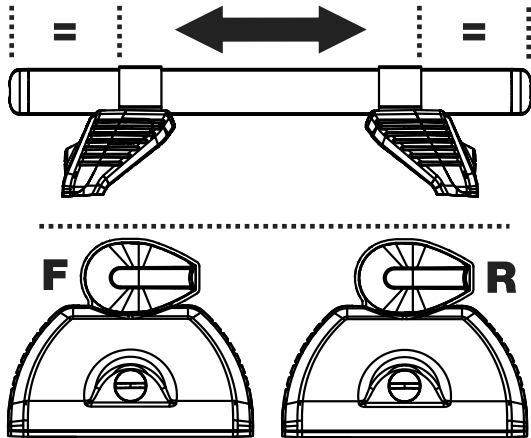
16.



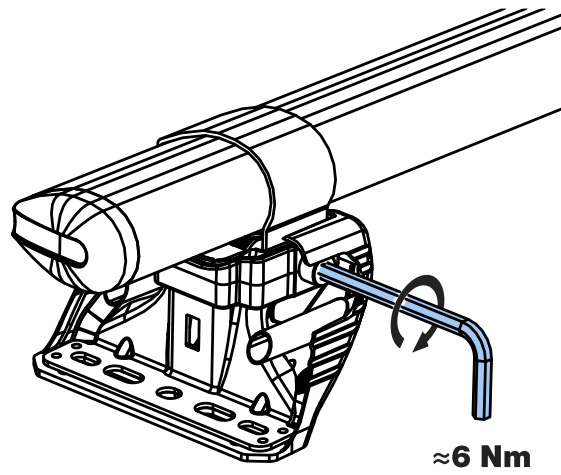
17.



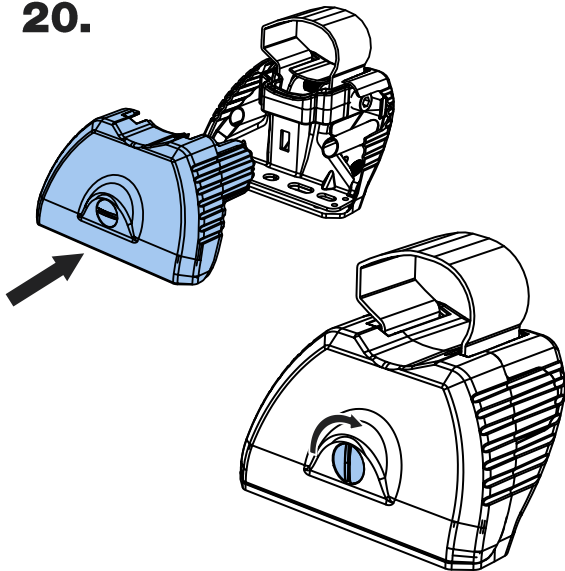
18.



19.



20.



21.

