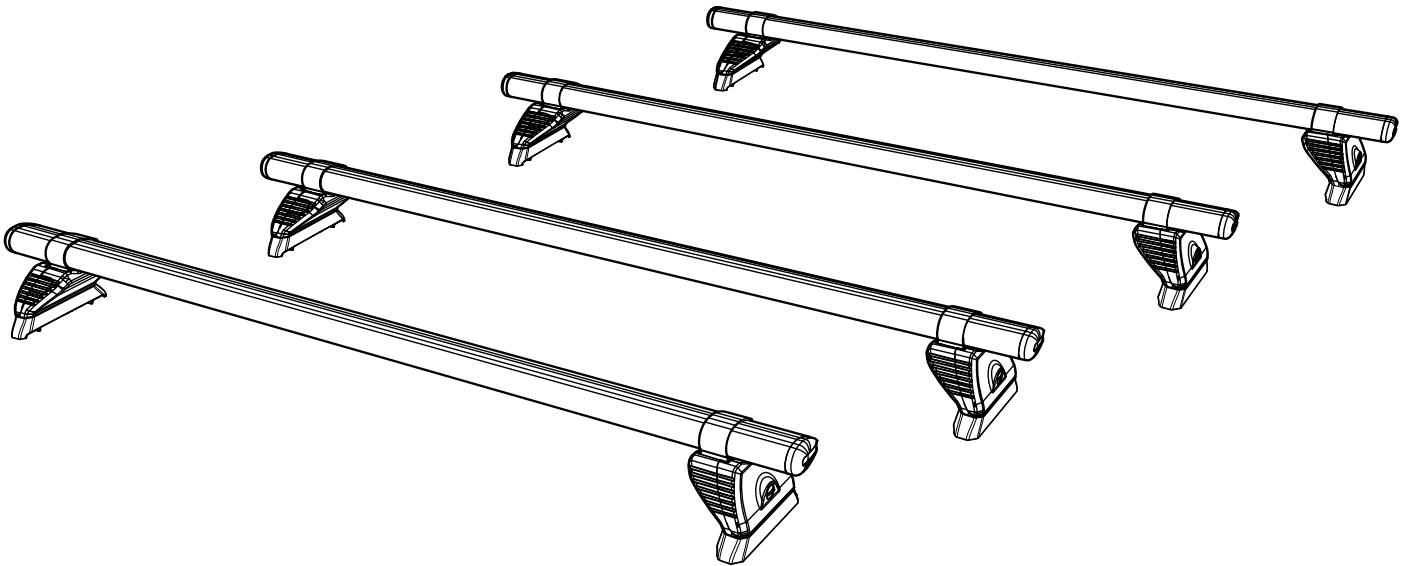


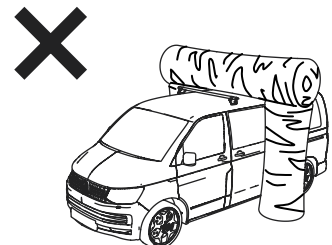
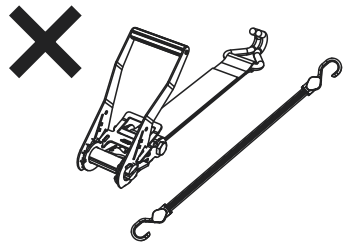
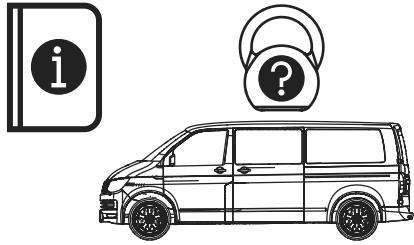
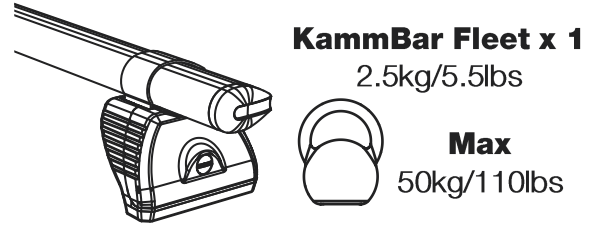
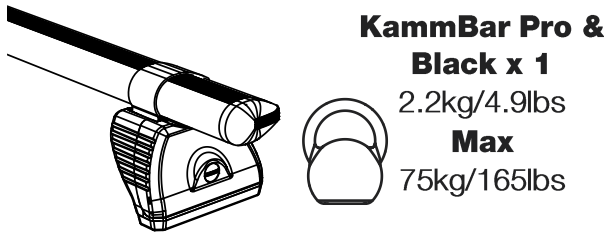
T54PR/FL KammBar

Instructions

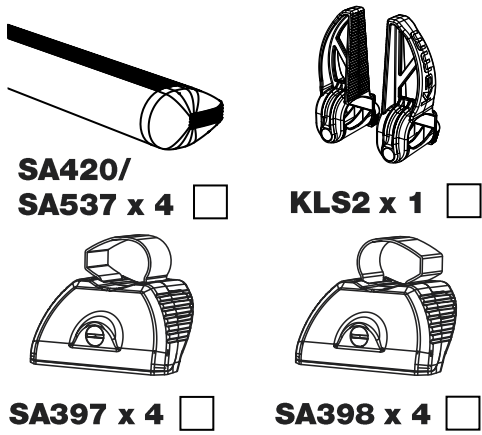


CITY CRASH (✓)

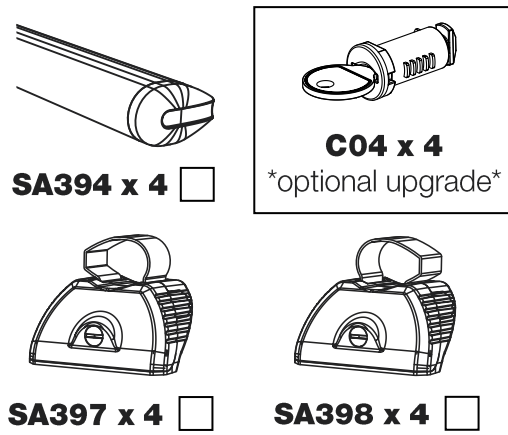
According to ISO/ PAS 11154:2006



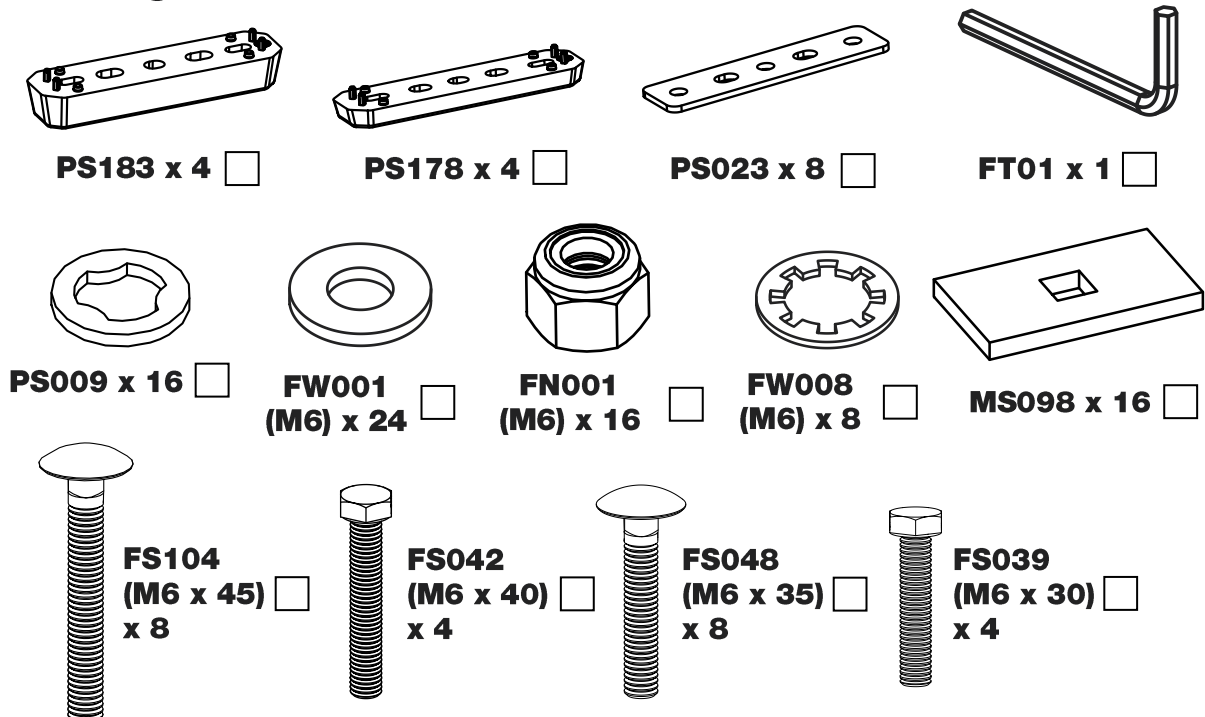
KammBar Pro & Black



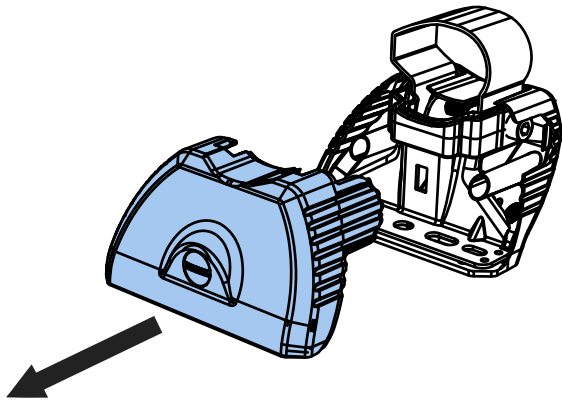
KammBar Fleet



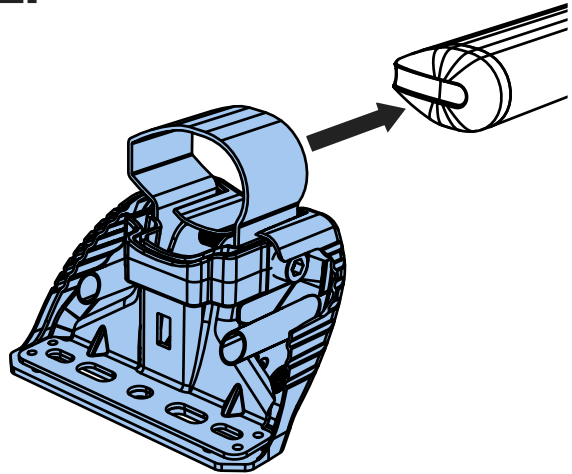
Fitting Kit



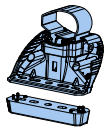
1.



2.

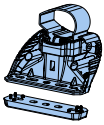


3.



SA397

PS183



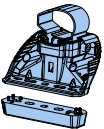
SA397

PS178



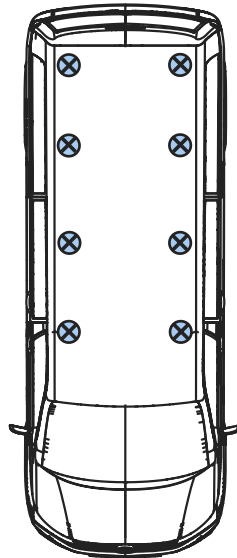
SA397

PS178

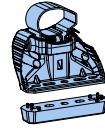


SA397

PS183

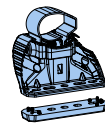


SA398



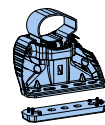
PS183

SA398



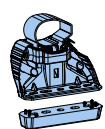
PS178

SA398



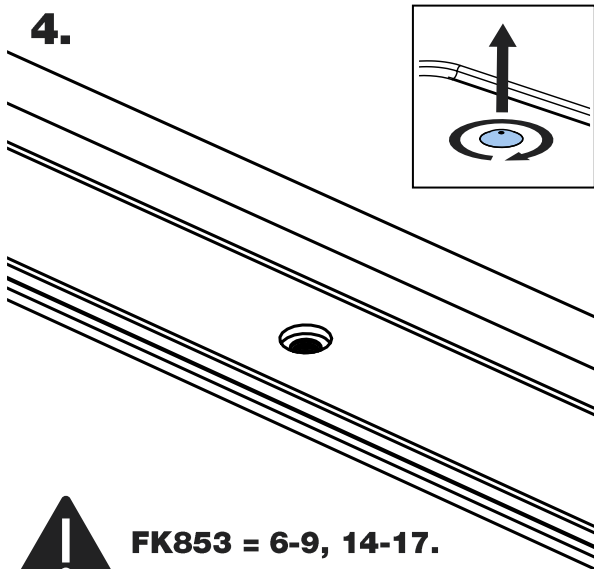
PS178

SA398



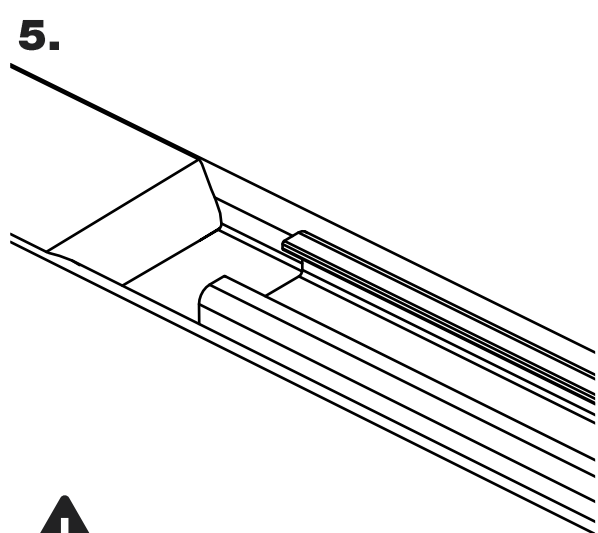
PS183

4.

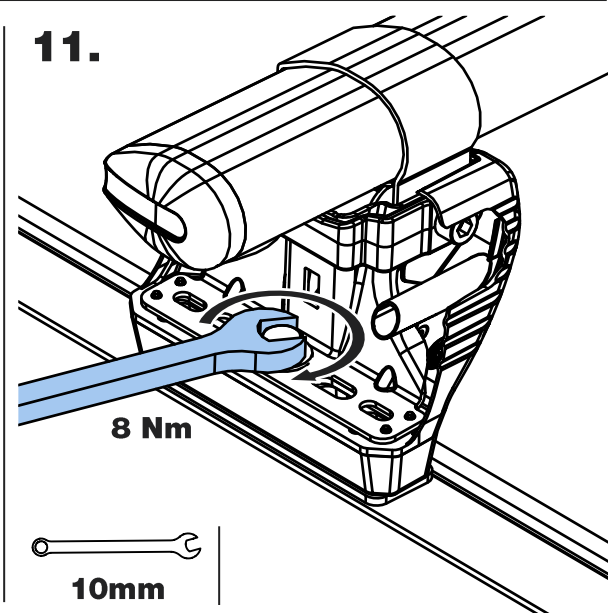
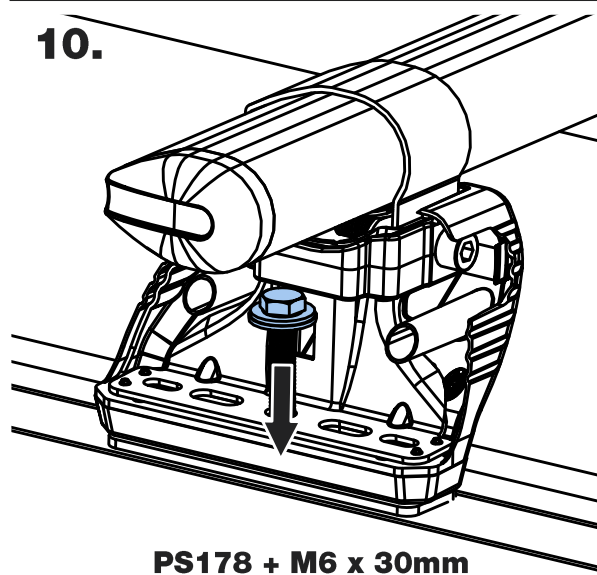
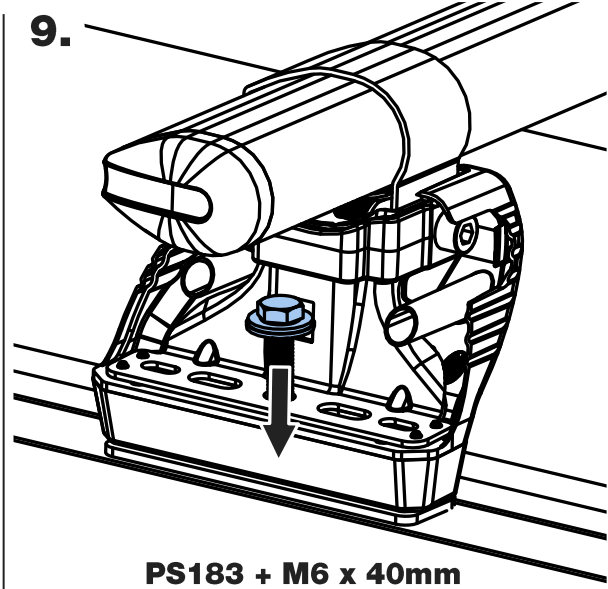
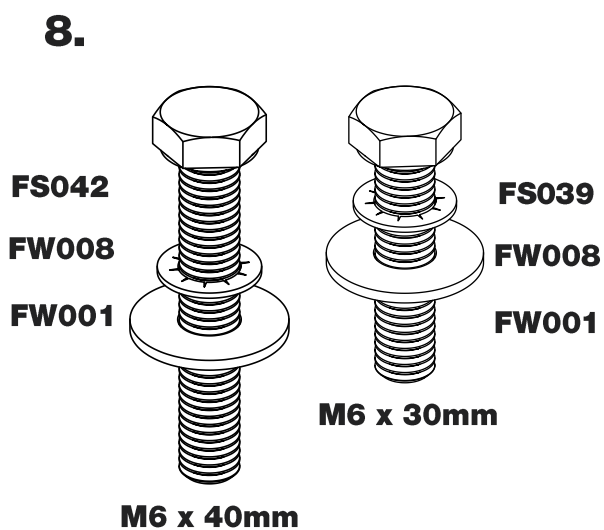
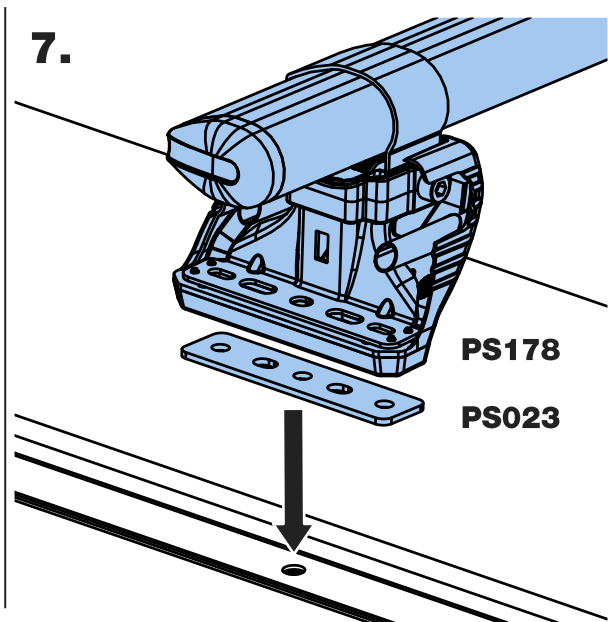
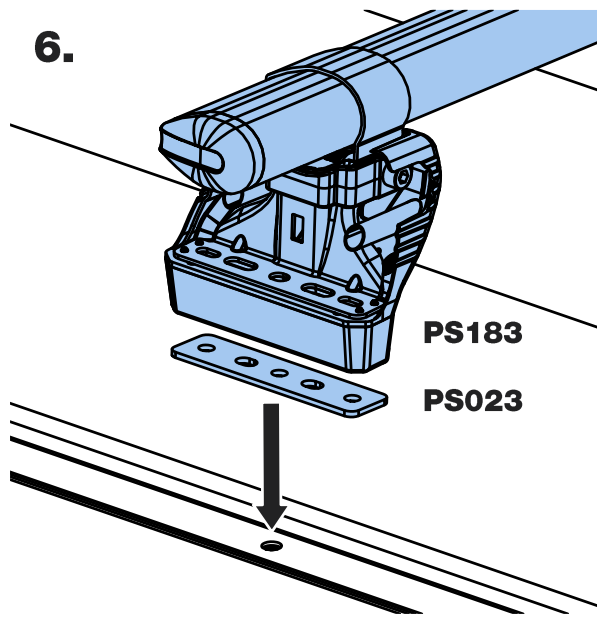


FK853 = 6-9, 14-17.

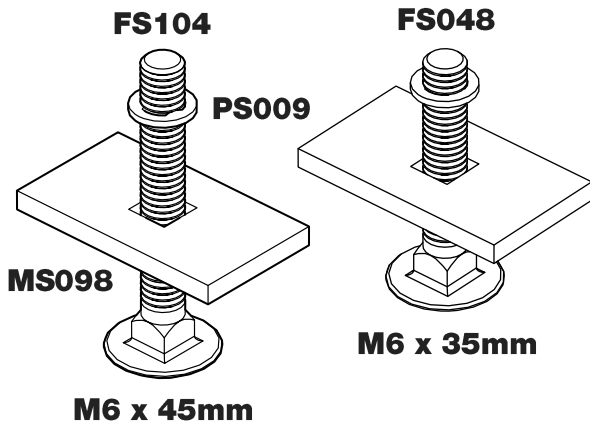
5.



FK862 = 10-17.

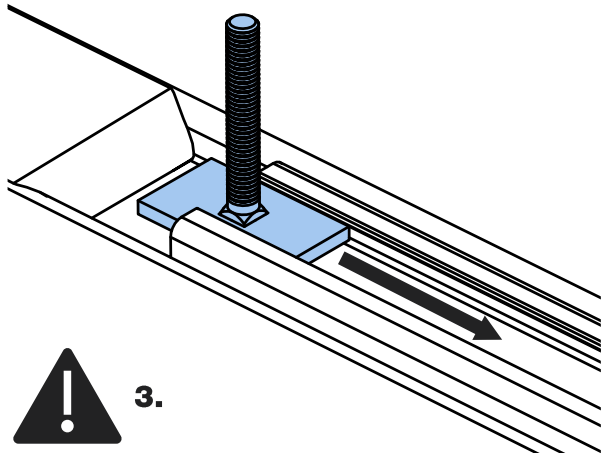


12.

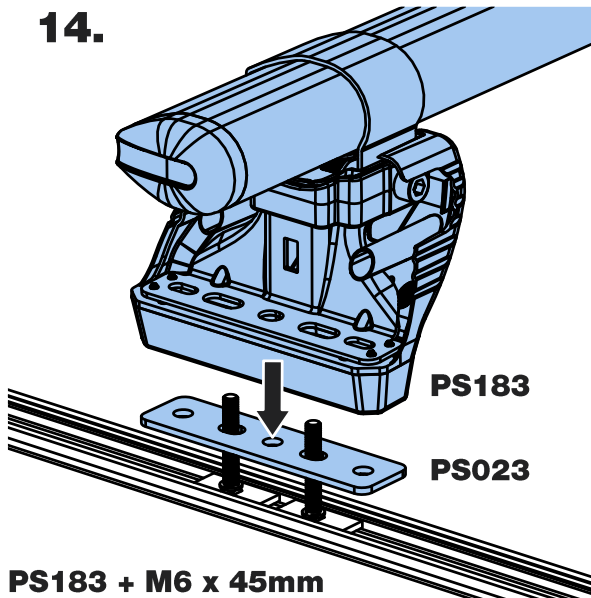


13.

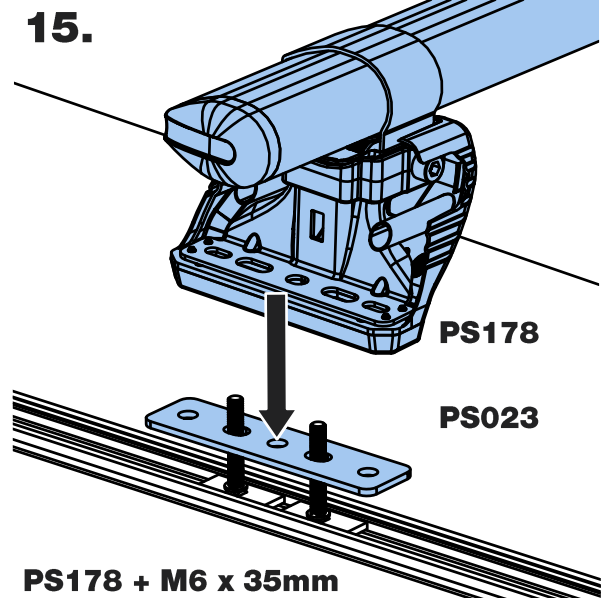
- 1st. M6 x 45mm x 2
- 2nd. M6 x 35mm x 2
- 3rd. M6 x 35mm x 2
- 4th. M6 x 45mm x 2



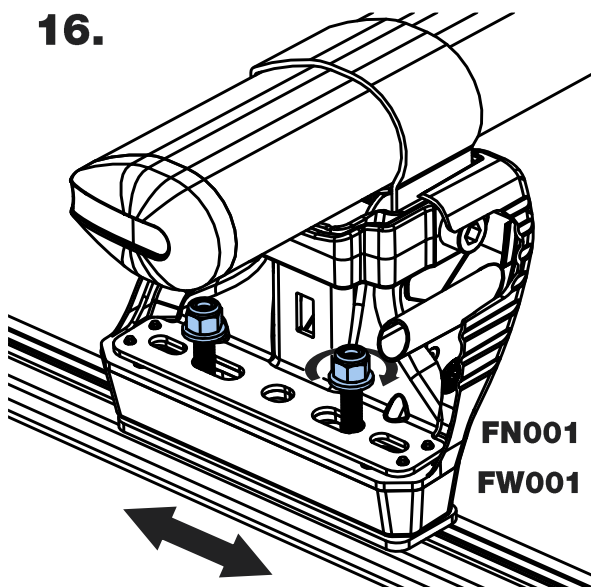
14.



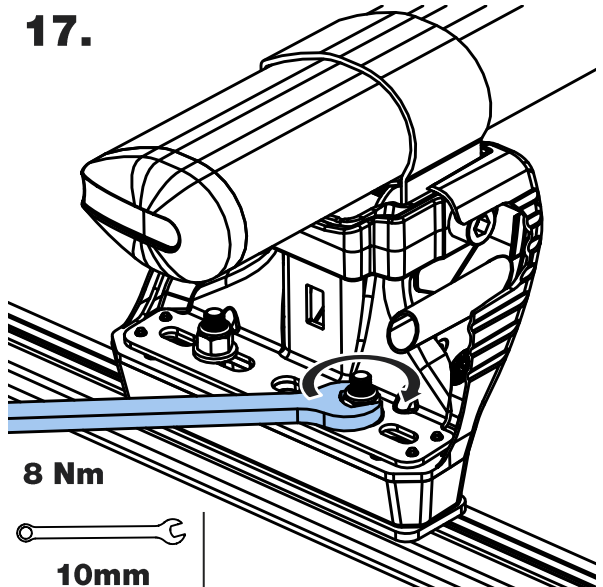
15.



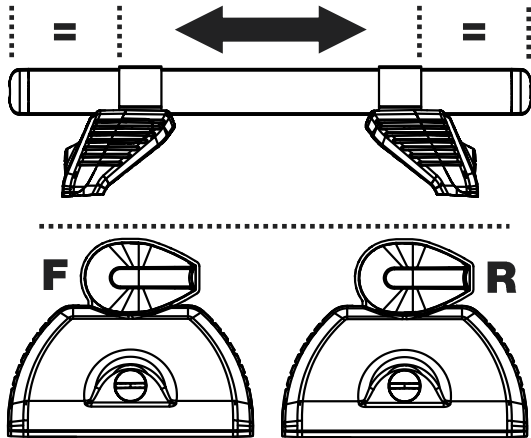
16.



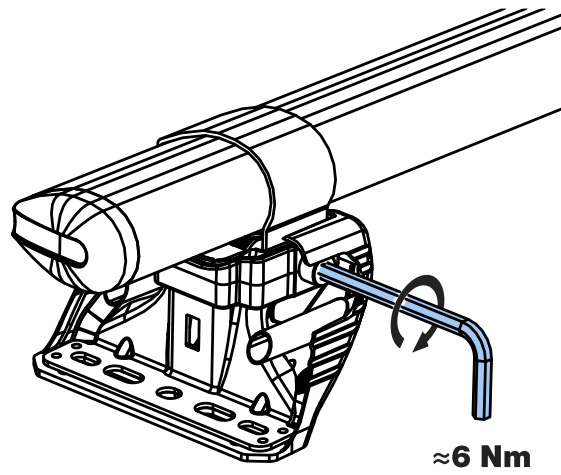
17.



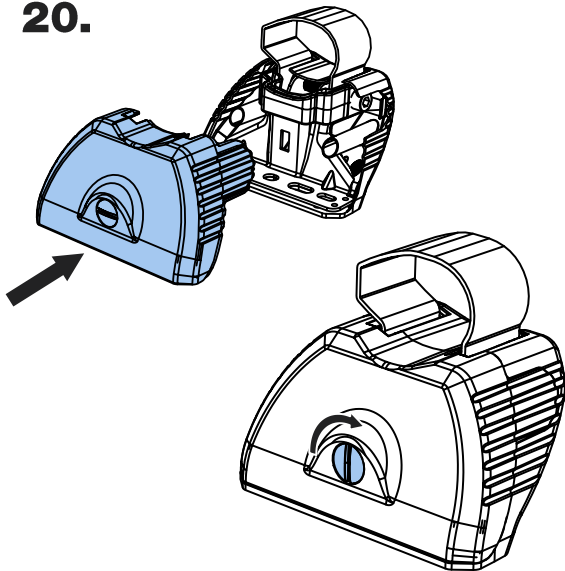
18.



19.



20.



21.

