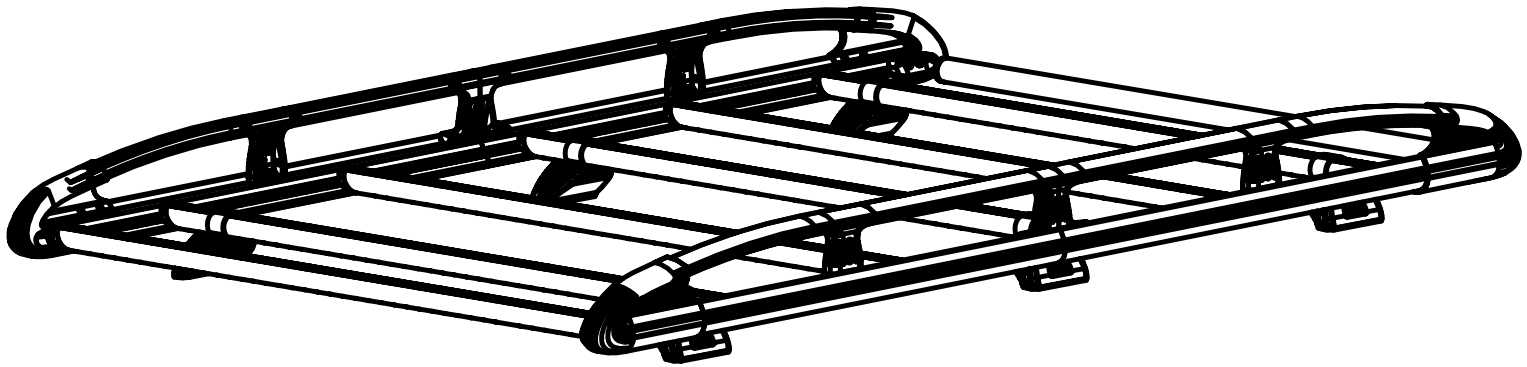


# T54KR

## KammRack Instructions



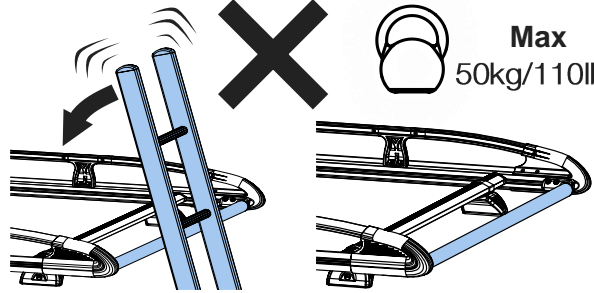
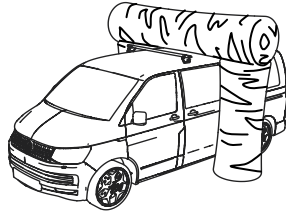
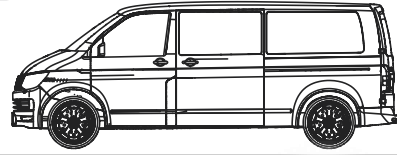
**CITY CRASH** (✓)

According to ISO/ PAS 11154:2006

**T54KR:**

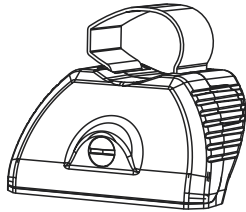
**VW T5, 2002 –**

**VW T6, 2015 –**

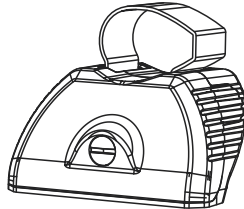


**Max**  
50kg/110lbs

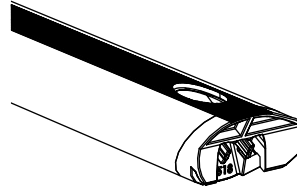
## KammRack



**SA397U x 4**



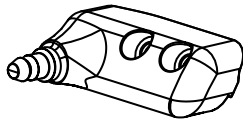
**SA398U x 4**



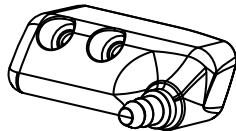
**SA429/S  
A467**



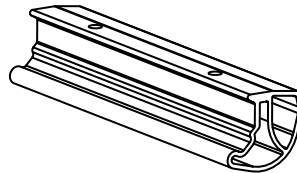
**C04 x 8**  
\*optional upgrade\*



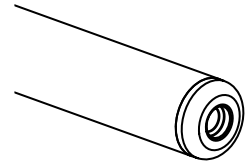
**PS519 x 1**



**PS520 x 1**



**EXT15-02**

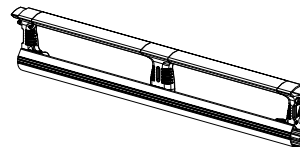
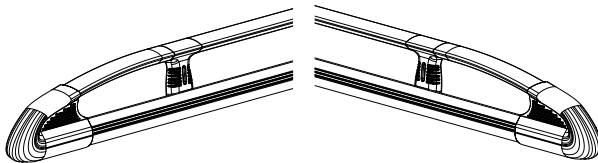


**SA437 x 1**

**LHS x 2**

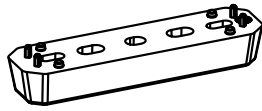
**RHS x 2**

**Centre (L2 Twin  
Doors Only)**

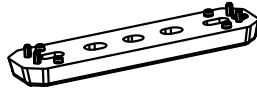


**ASF x 1**

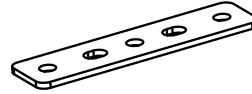
# Fitting Kit



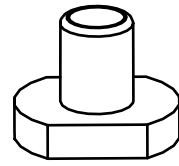
PS183 x 4



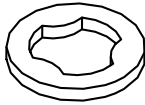
PS178 x 4



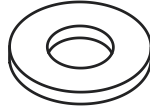
PS023 x 8



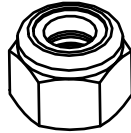
FN085 x 20



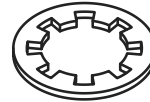
PS009 x 16



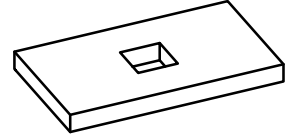
FW001 (M6)  
x 24



FN001 (M6)  
x 16



FW008  
(M6) x 8



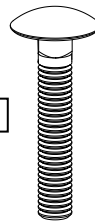
MS098 x 16



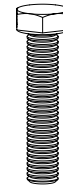
FS104  
(M6 x 45) x   
8



FS042  
(M6 x 40) x   
4



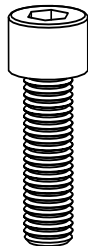
FS048  
(M6 x 35)  
x 8



FS039  
(M6 x 30) x   
4



FT01 x 1

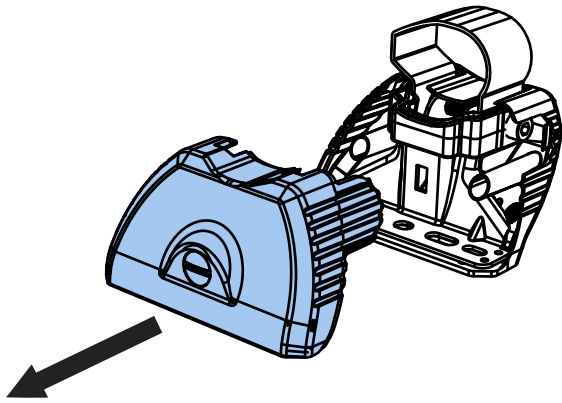


FS059  (M8  
x 25) x 20

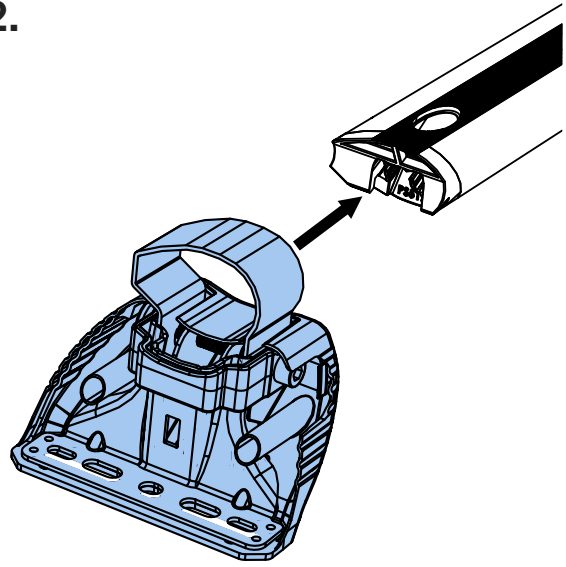


FT05 x 1

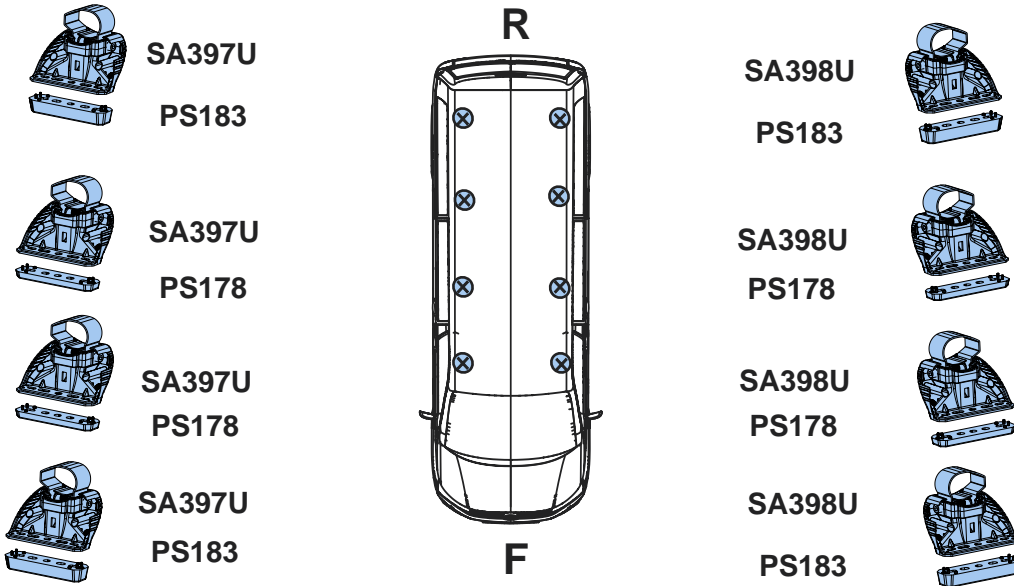
1.



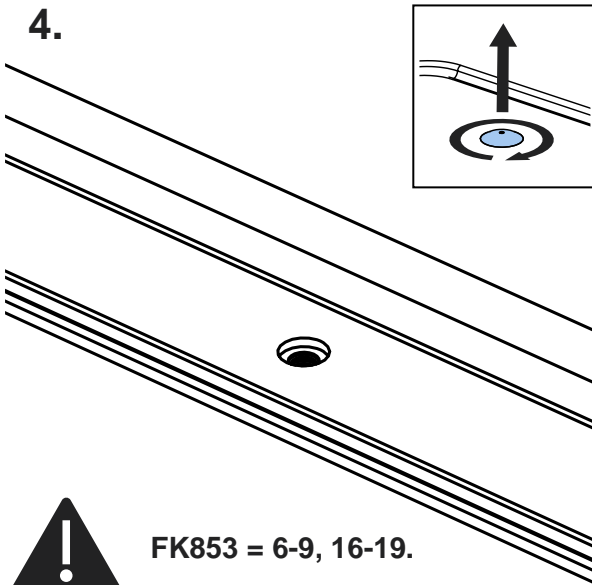
2.



3.

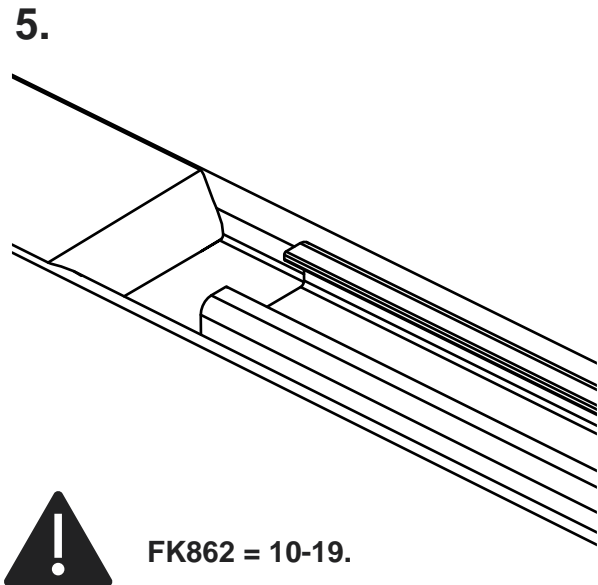


4.

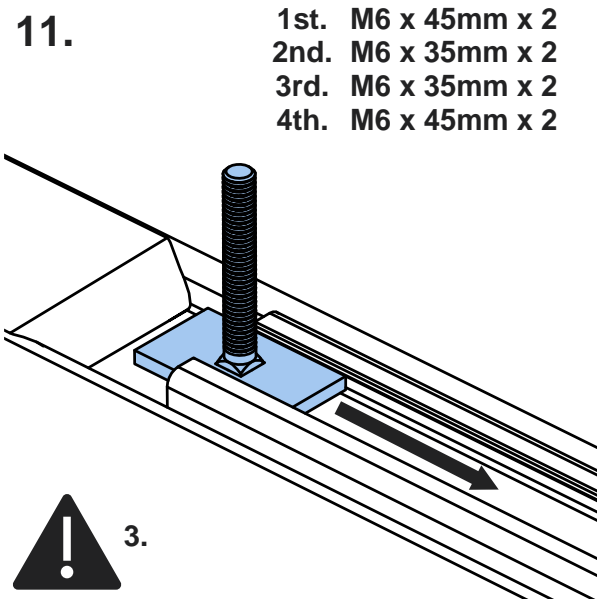
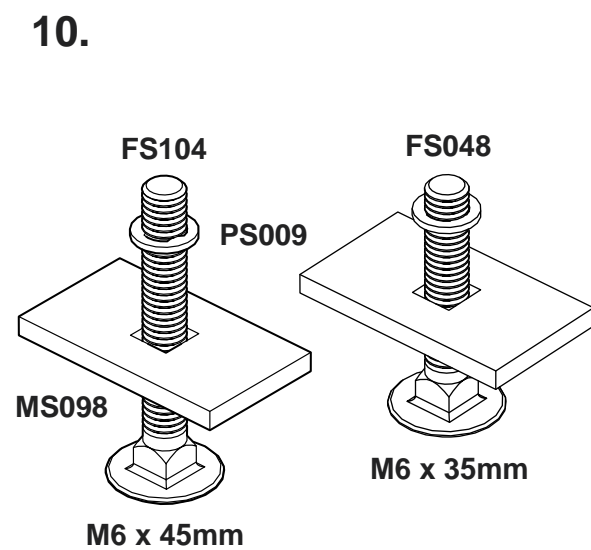
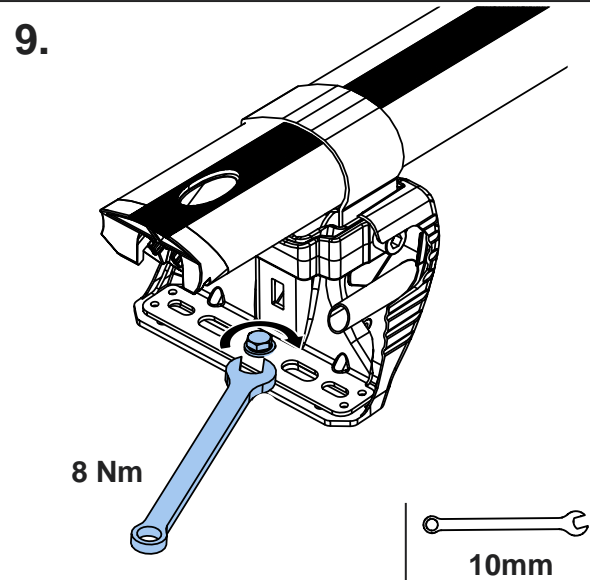
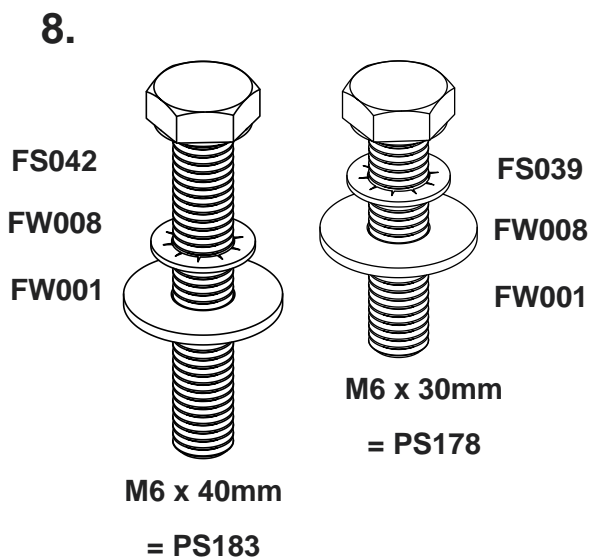
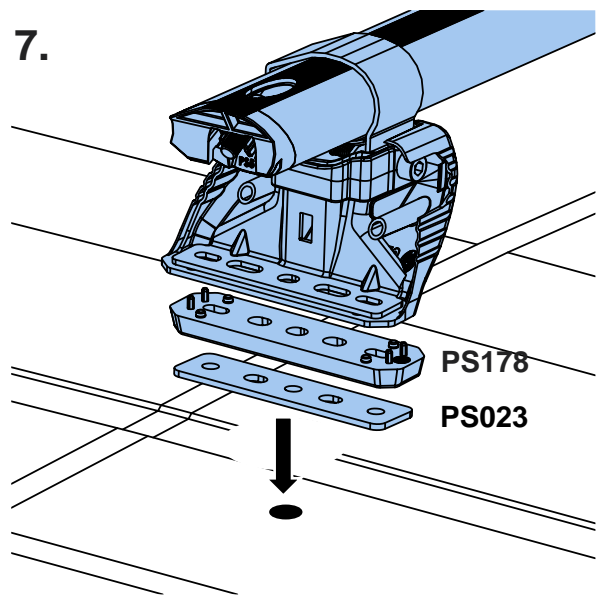
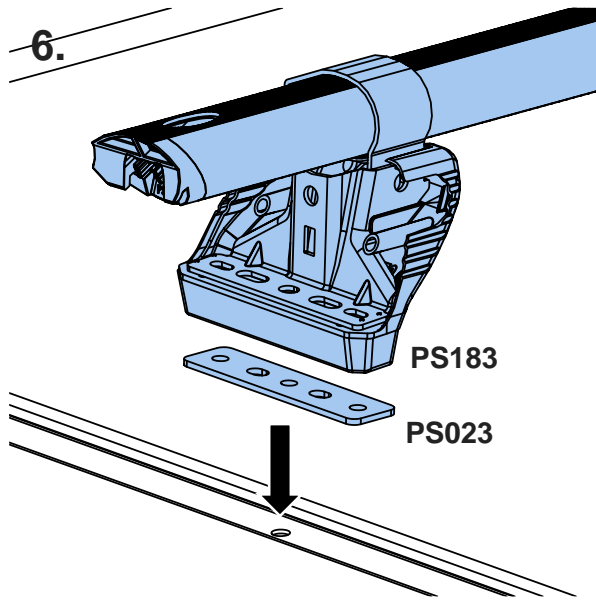


FK853 = 6-9, 16-19.

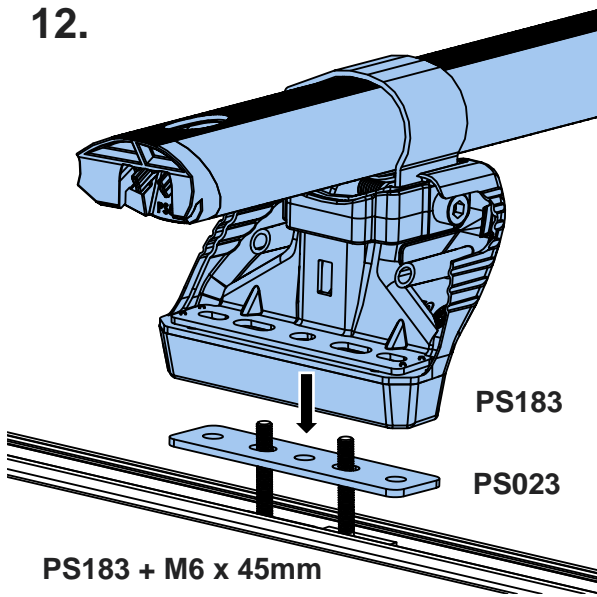
5.



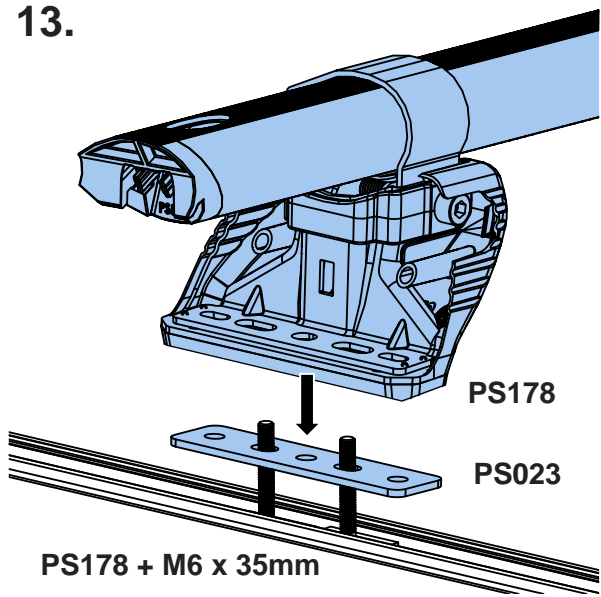
FK862 = 10-19.



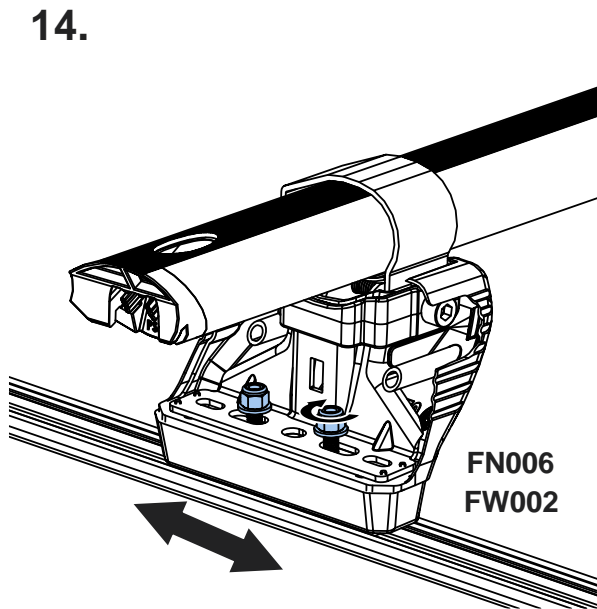
12.



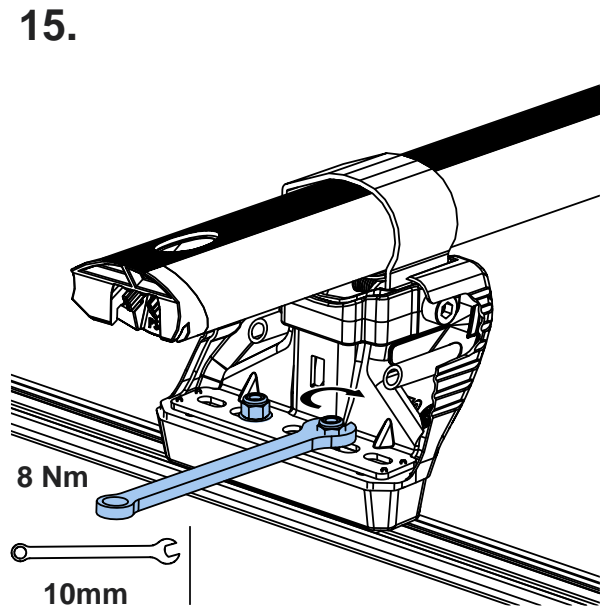
13.



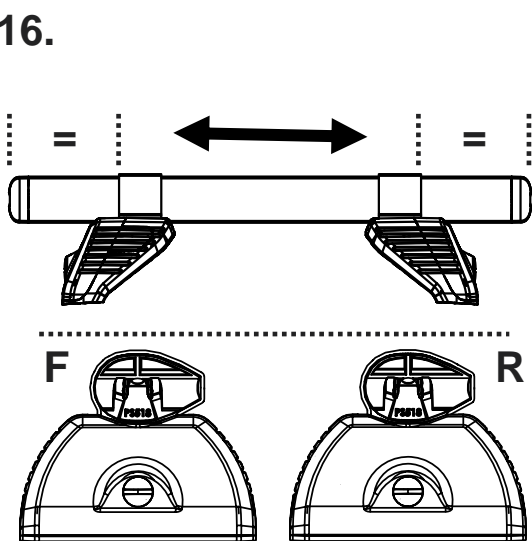
14.



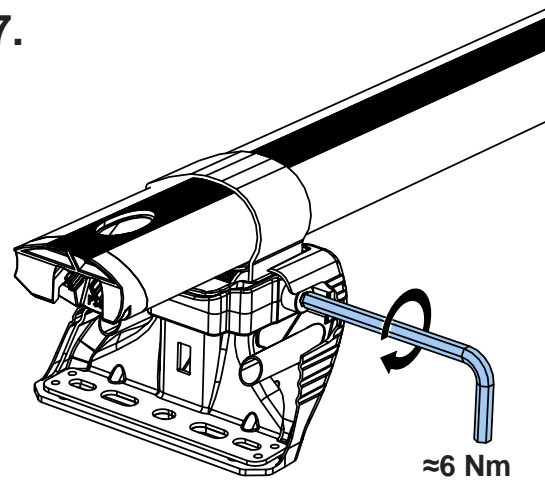
15.



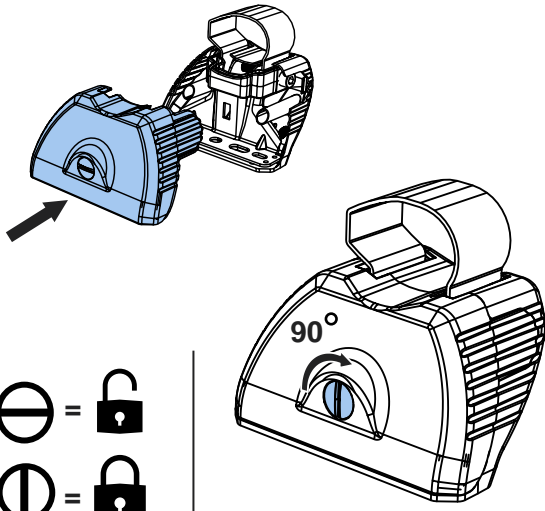
16.



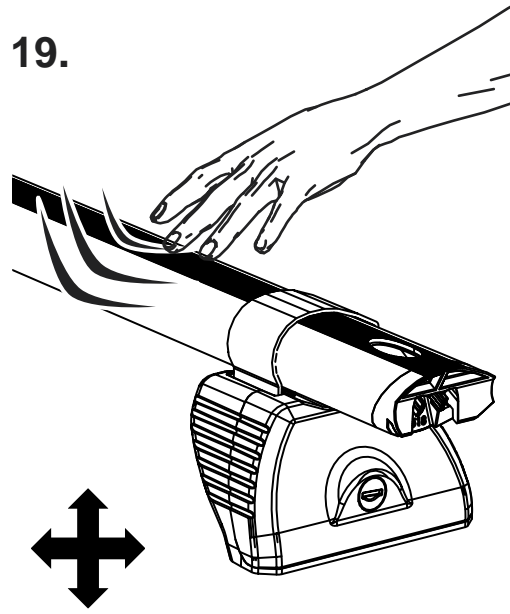
17.



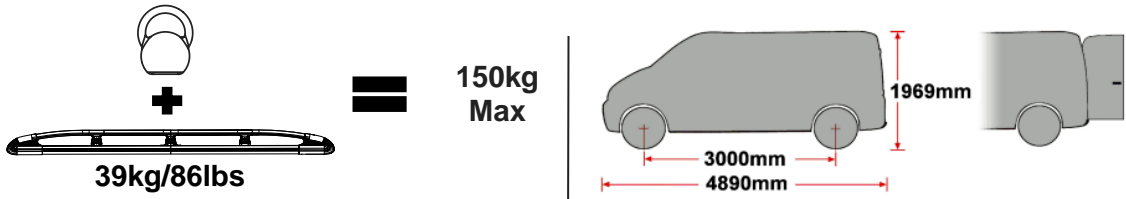
18.



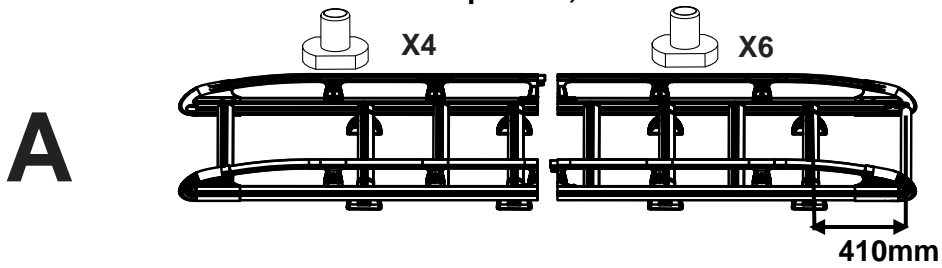
19.



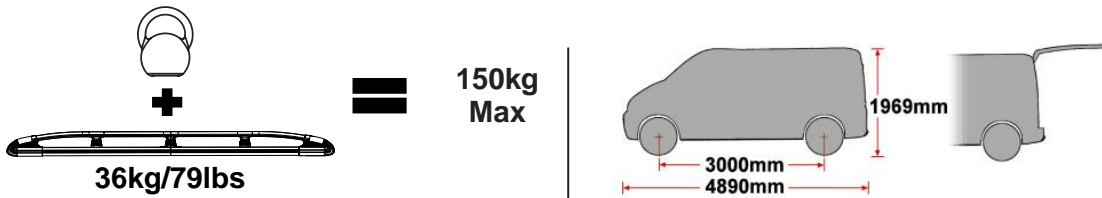
### K507/B507- T5/T6/T6.1 Transporter L1, H1 Twin Doors



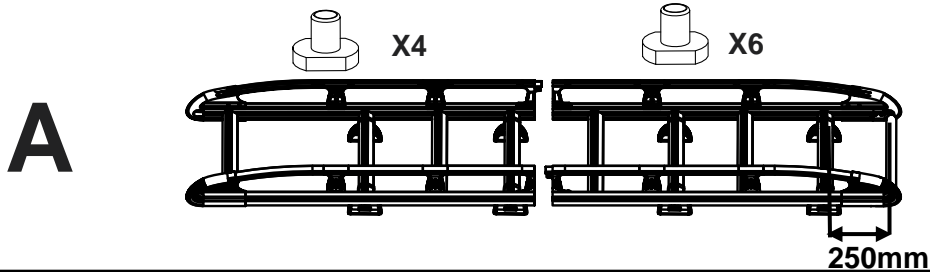
Step 14-30, 53-62



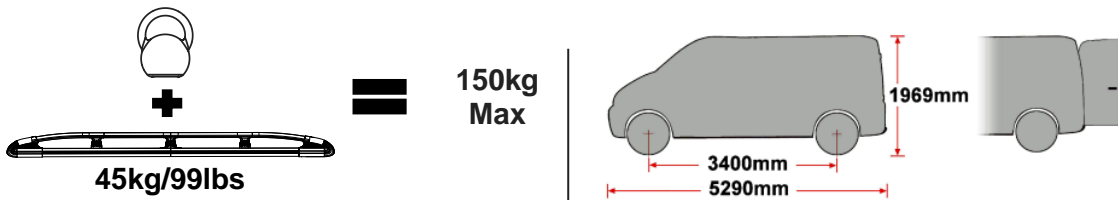
### K508/B508- T5/T6/T6.1 Transporter L1, H1, Tailgate



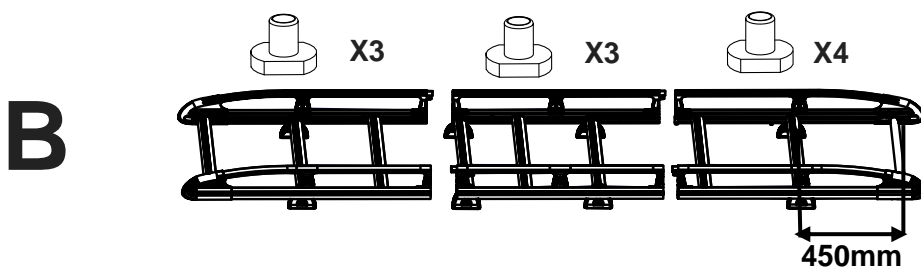
Step 14-30, 53-62



### K510/B510- T5/T6/T6.1 Transporter L2, H1, Twin Doors

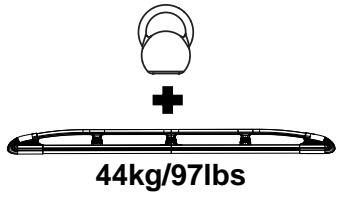


Step 31-62

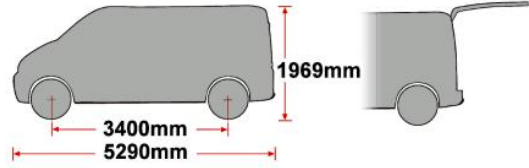




# K509/B509- T5/T6/T6.1 Transporter L2, H1, Tailgate

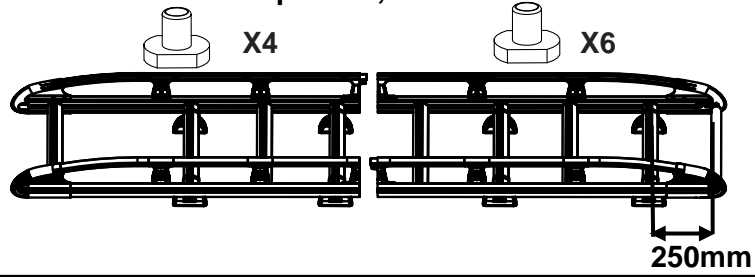


**=** 150kg  
Max

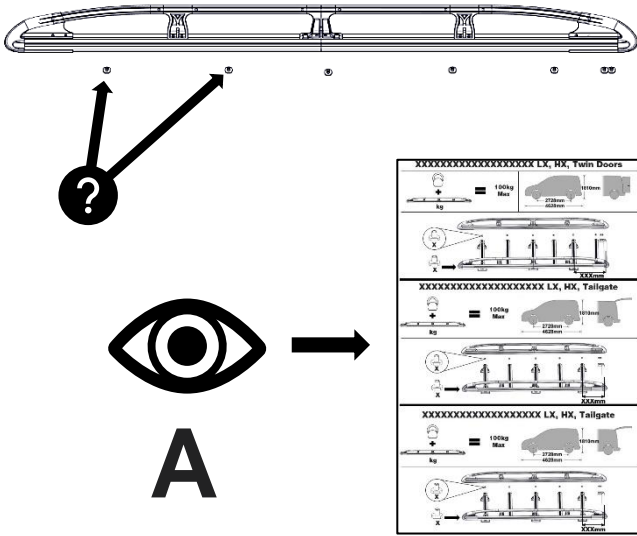


## Step 14-30, 53-62

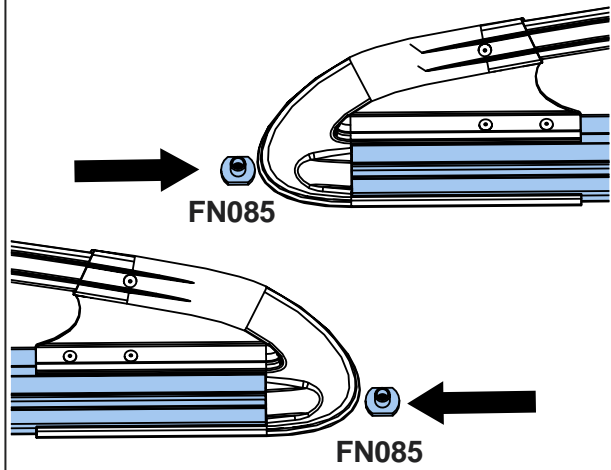
**A**



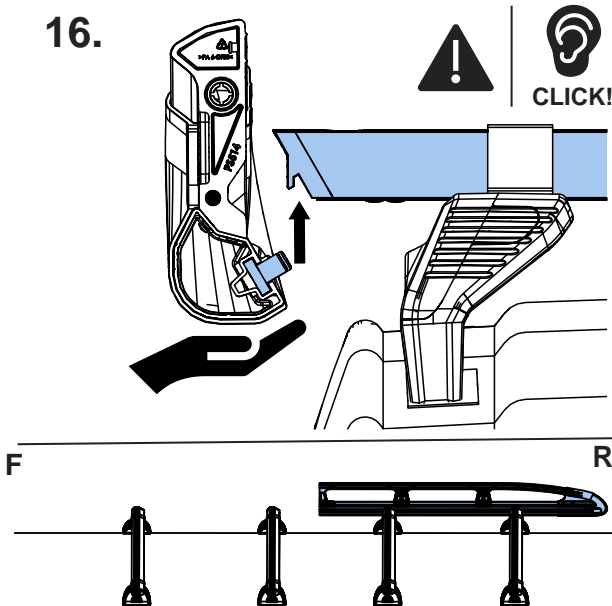
14.



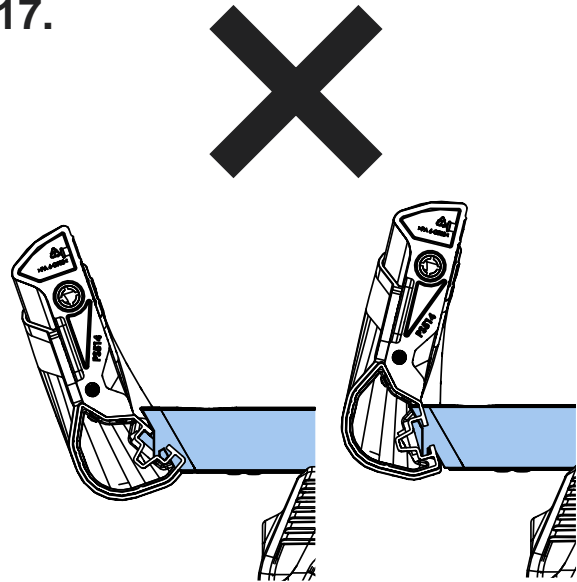
15.



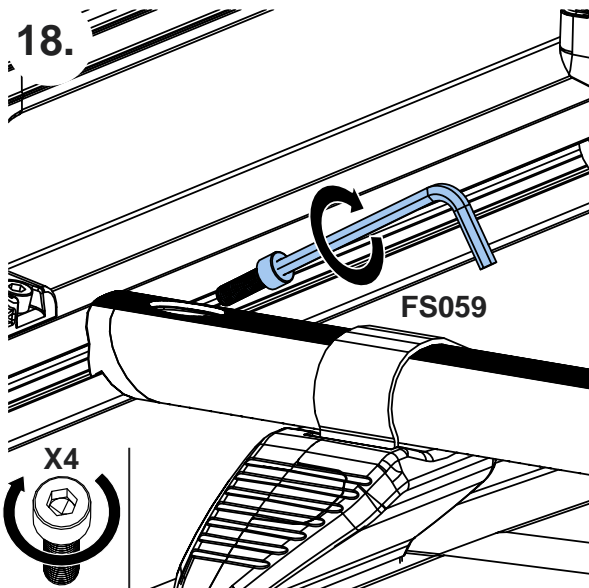
16.



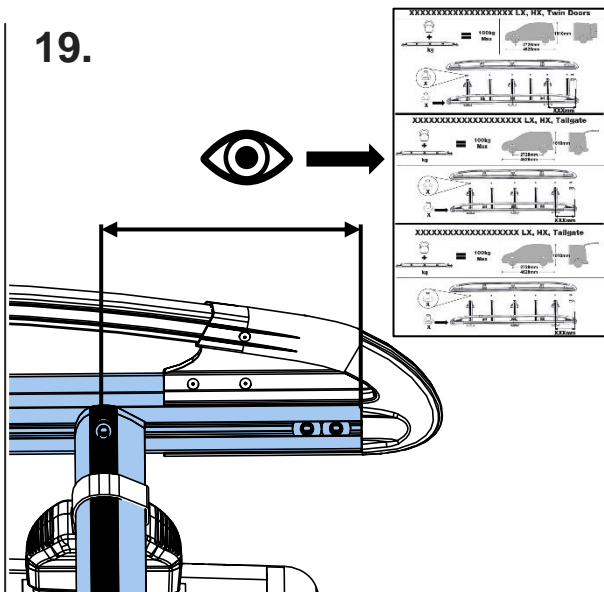
17.

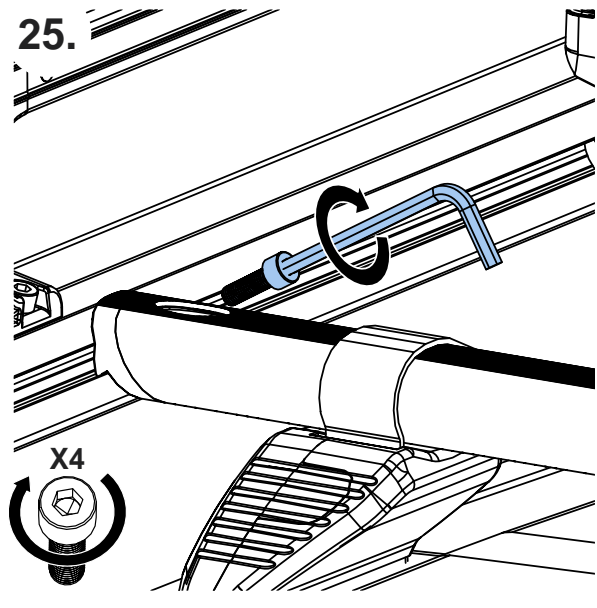
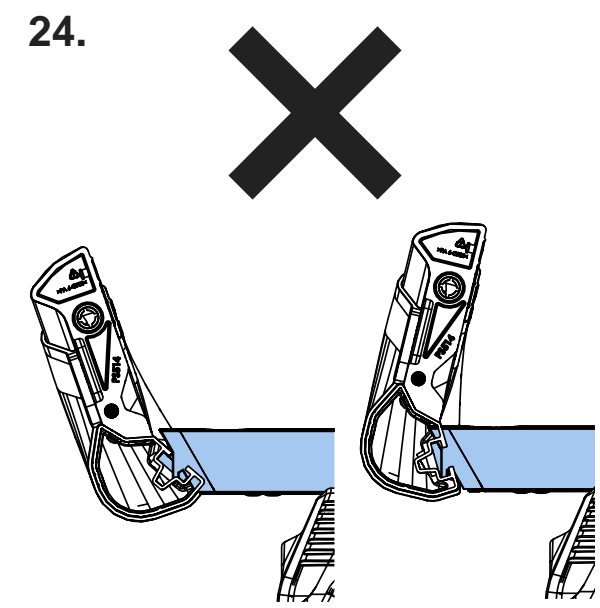
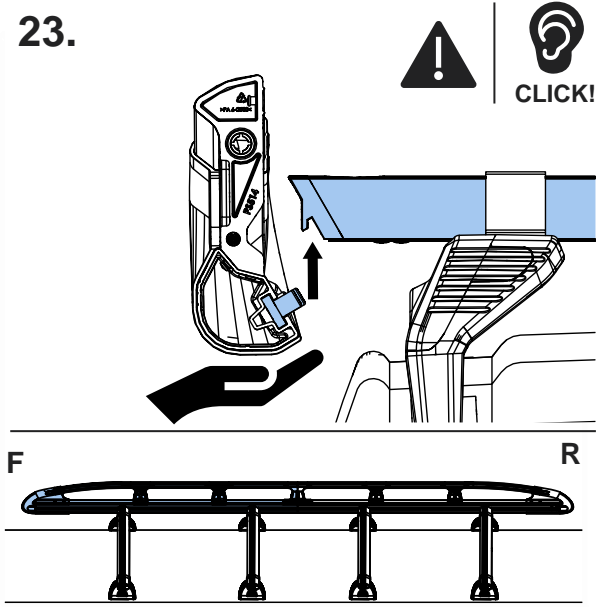
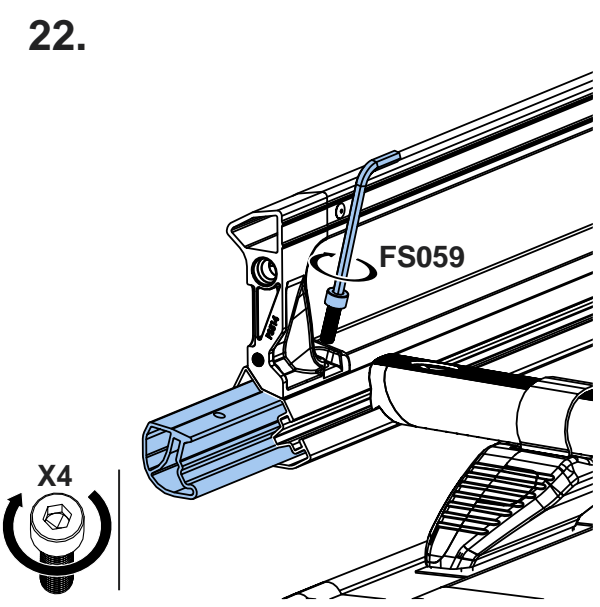
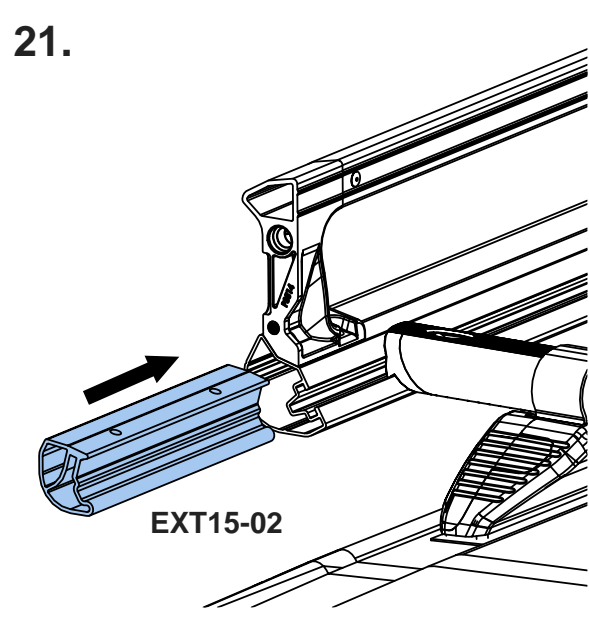
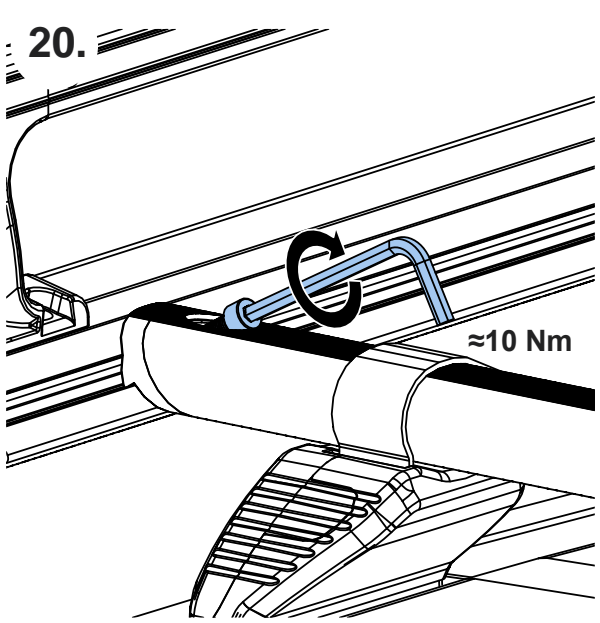


18.

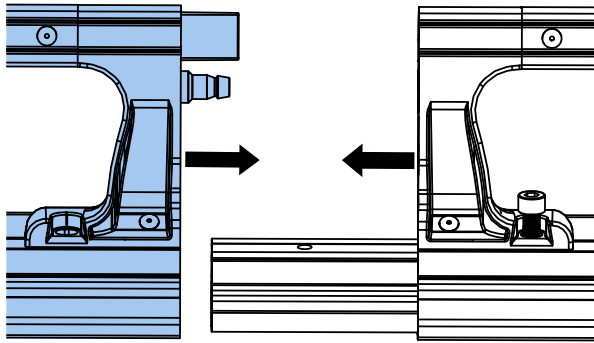


19.

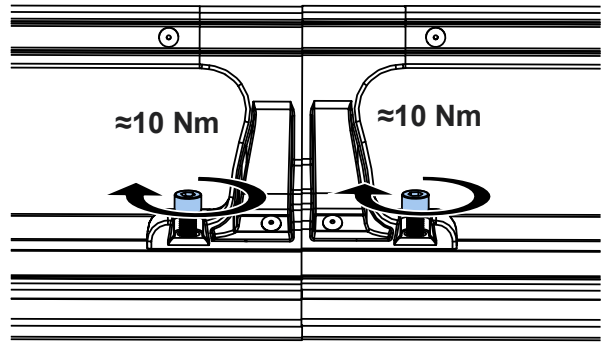




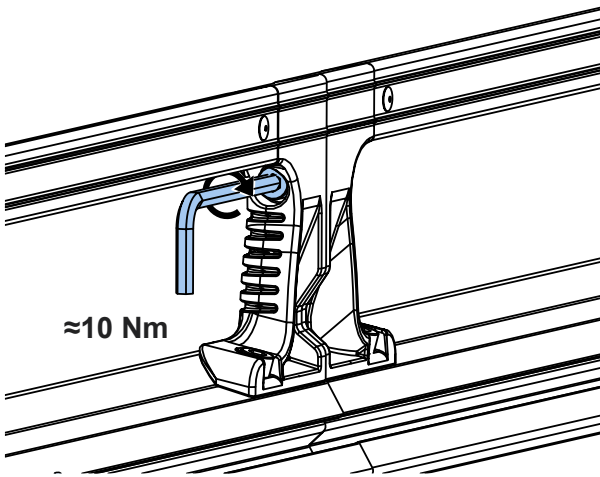
26.



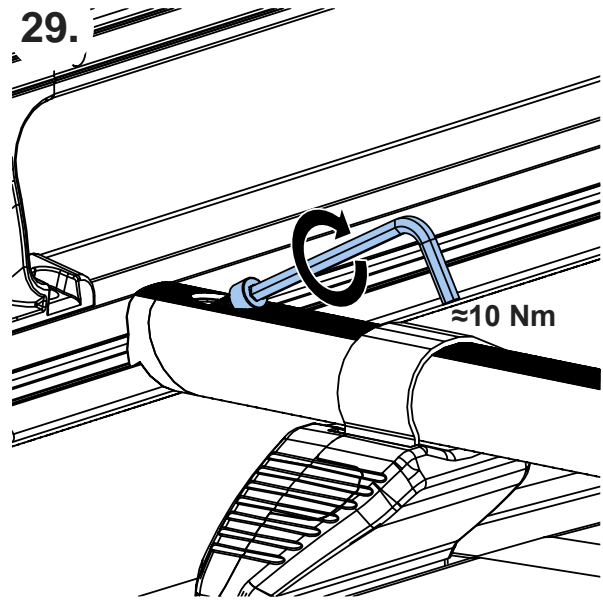
27.



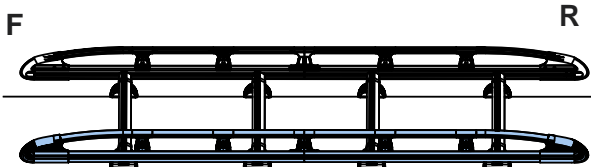
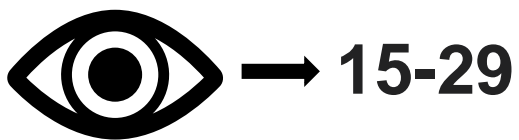
28.



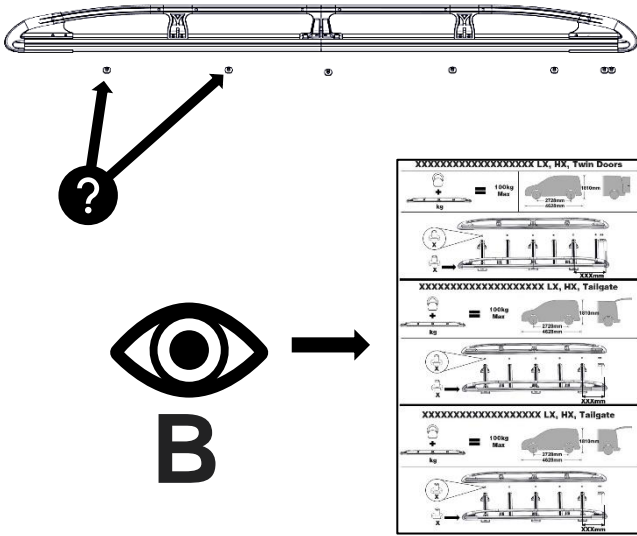
29.



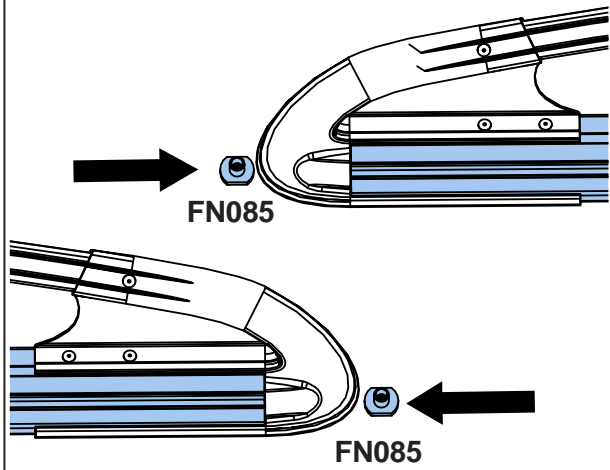
30.



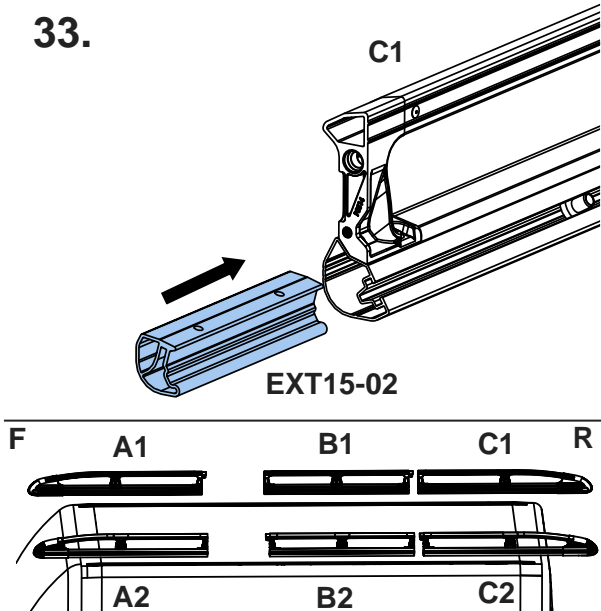
31.



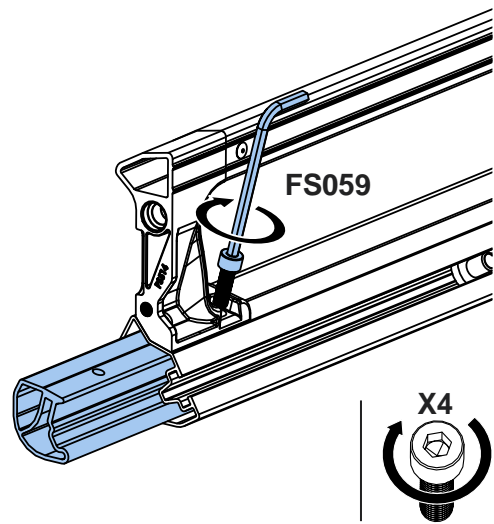
32.



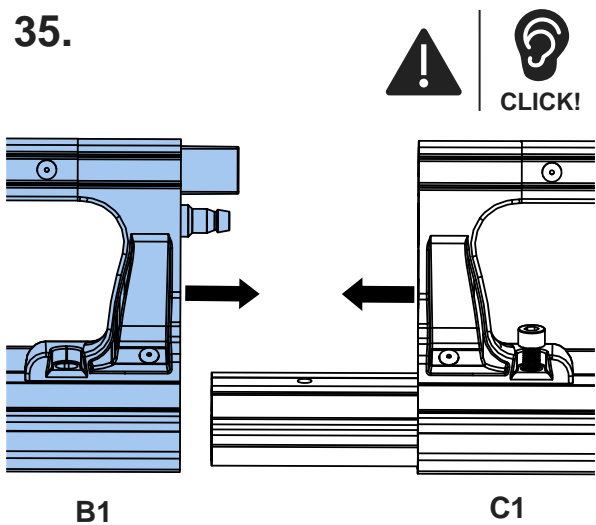
33.



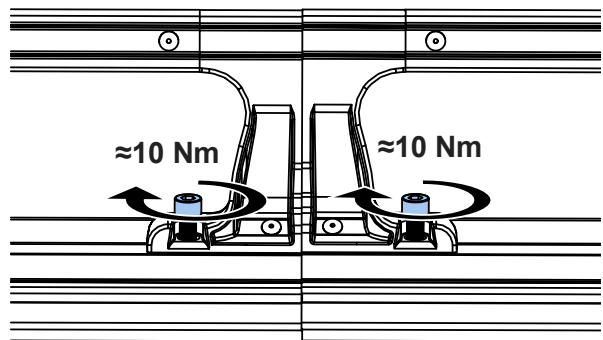
34.



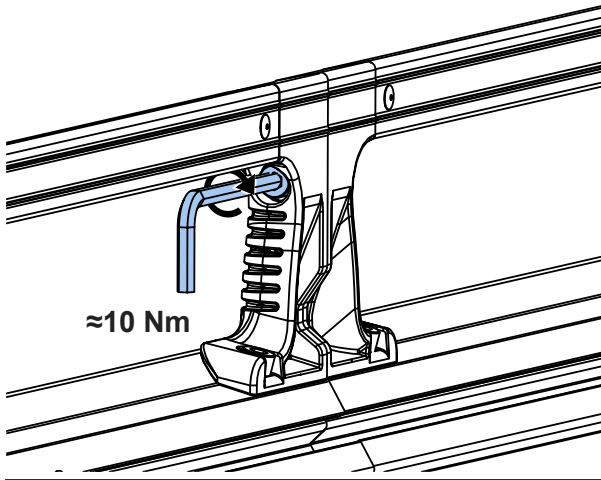
35.



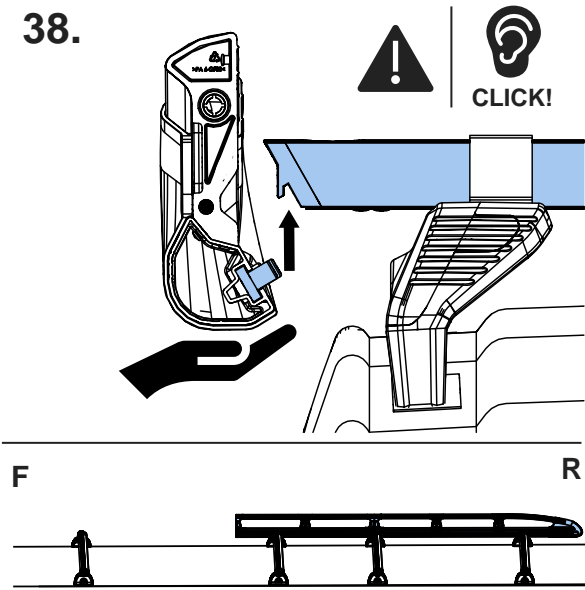
36.



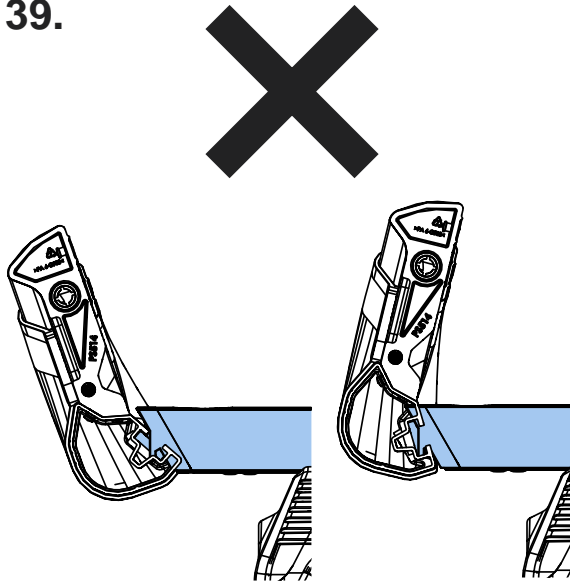
37.



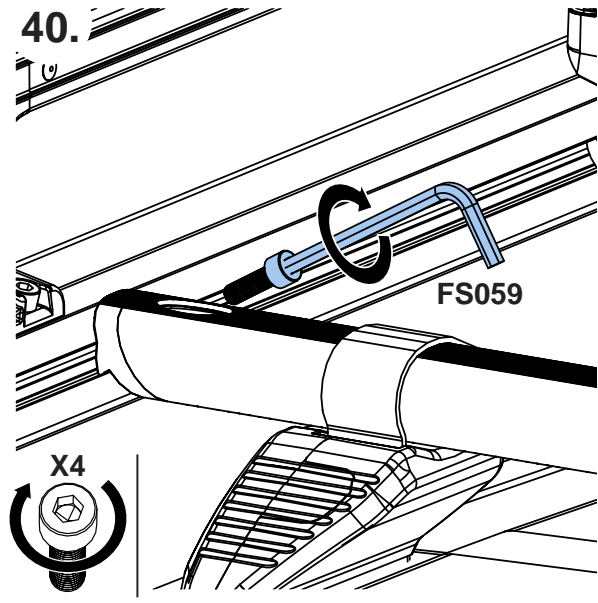
38.



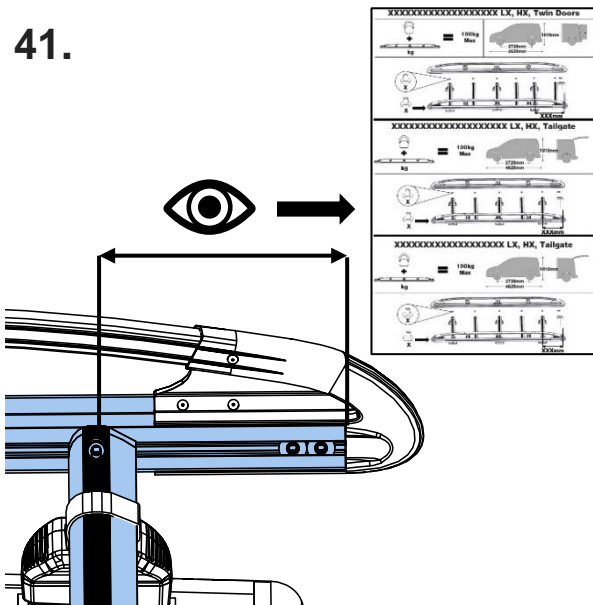
39.



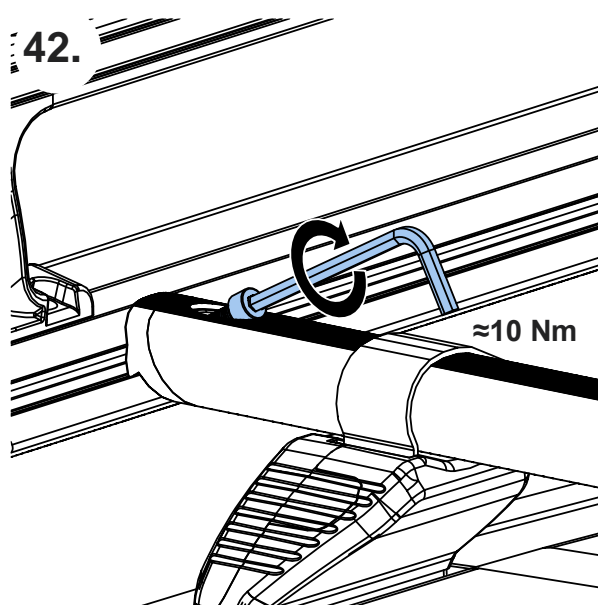
40.



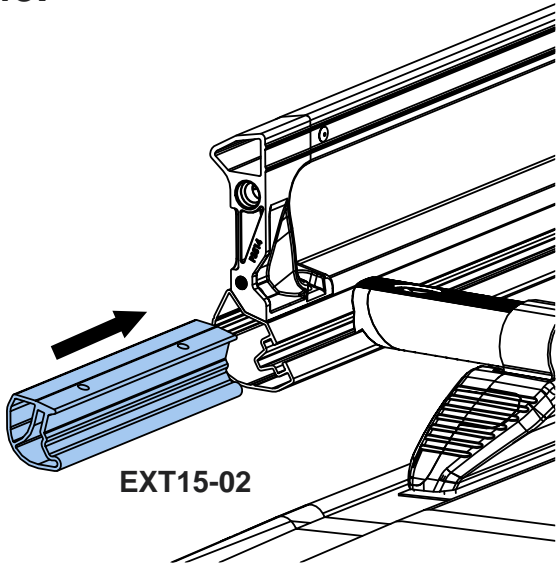
41.



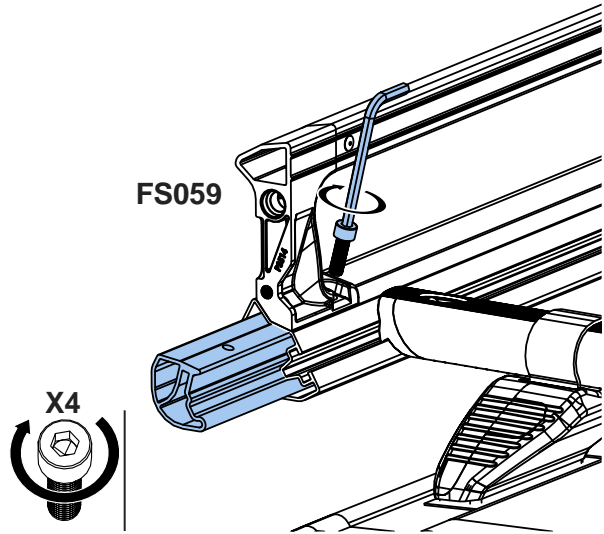
42.



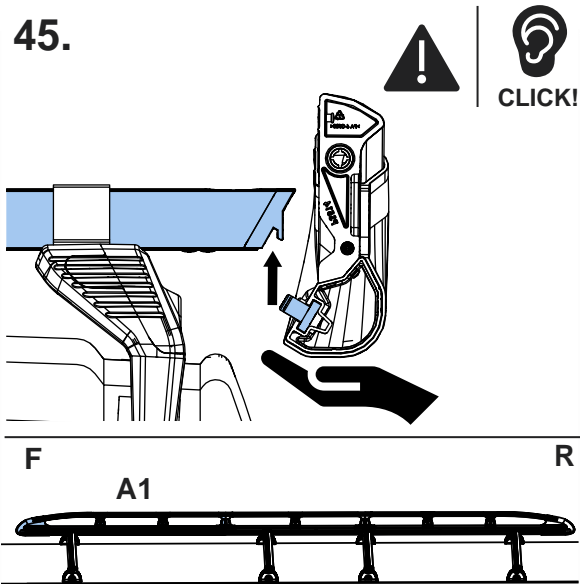
43.



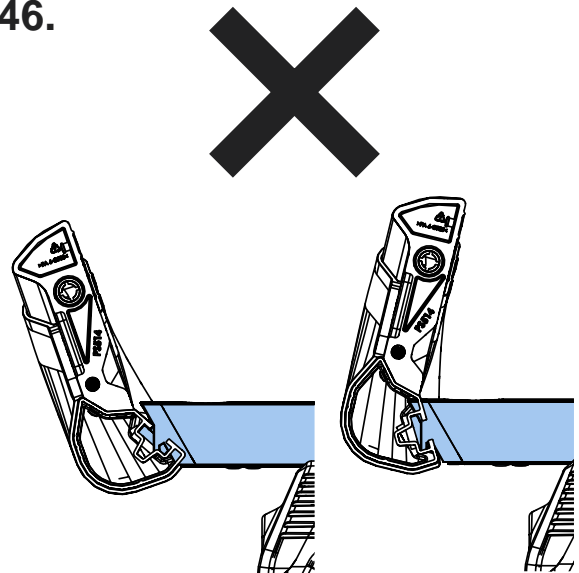
44.



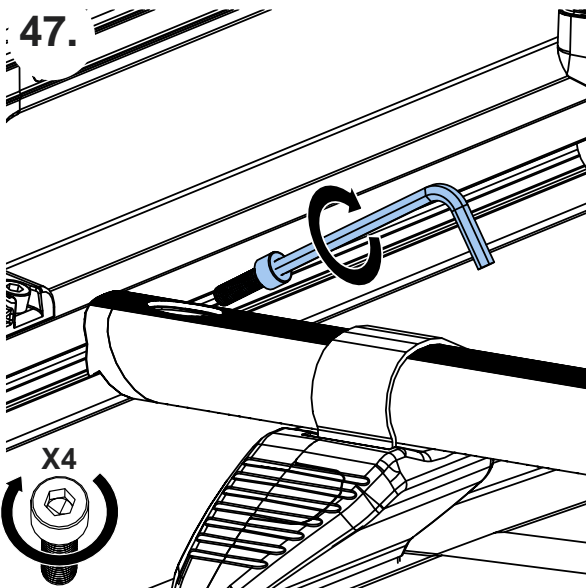
45.



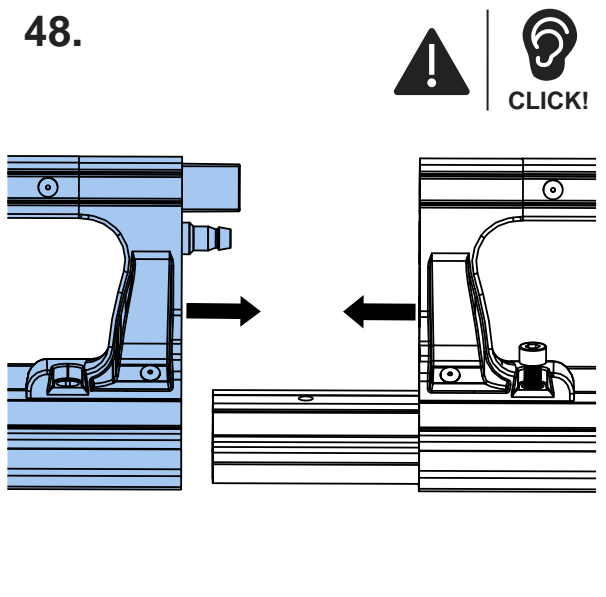
46.



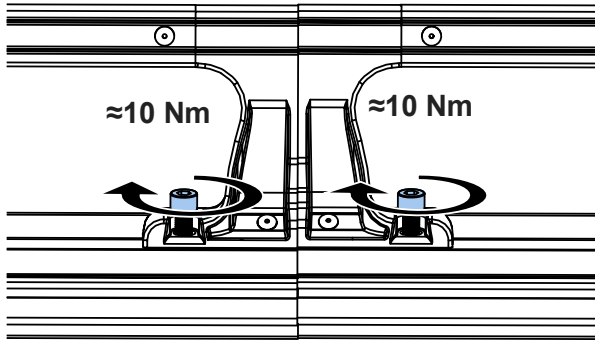
47.



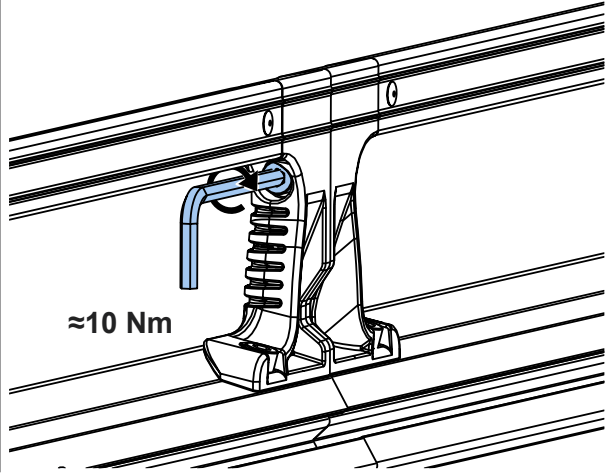
48.



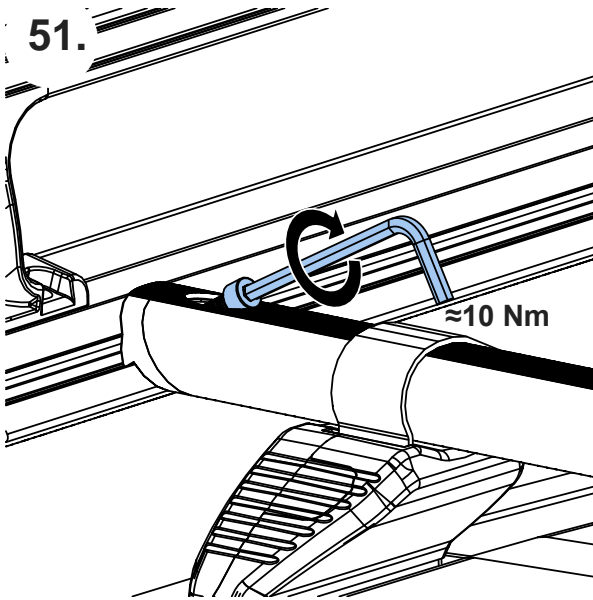
49.



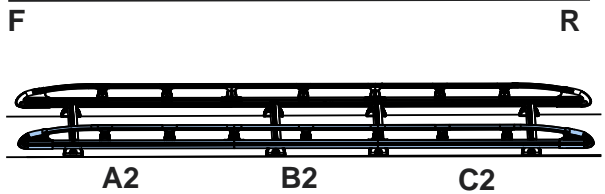
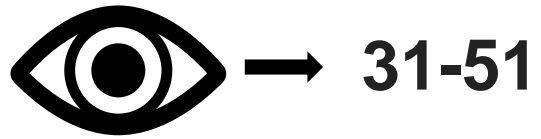
50.



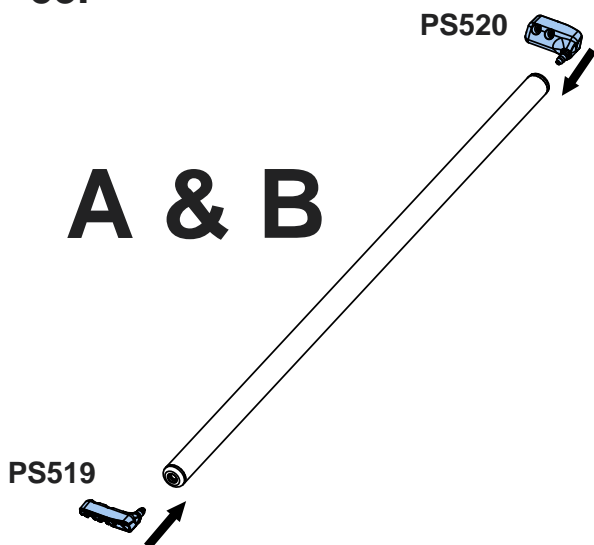
51.



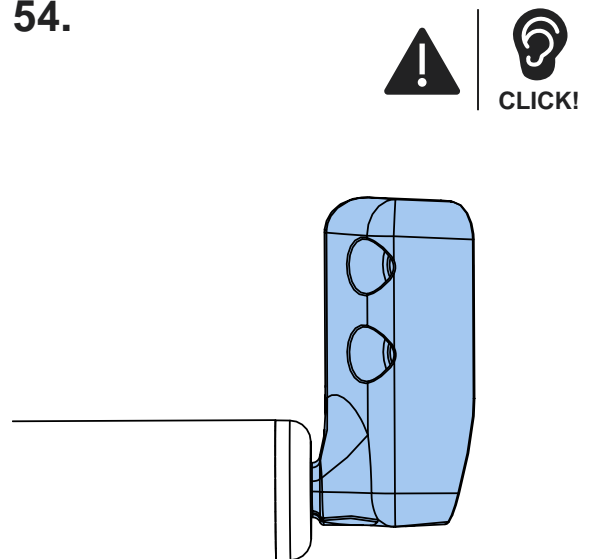
52.



53.

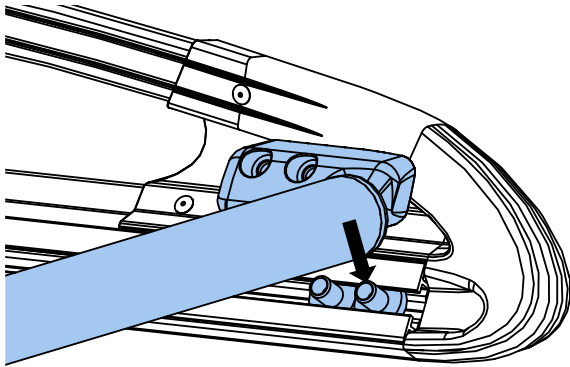


54.

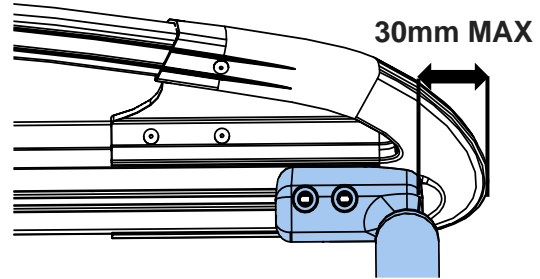




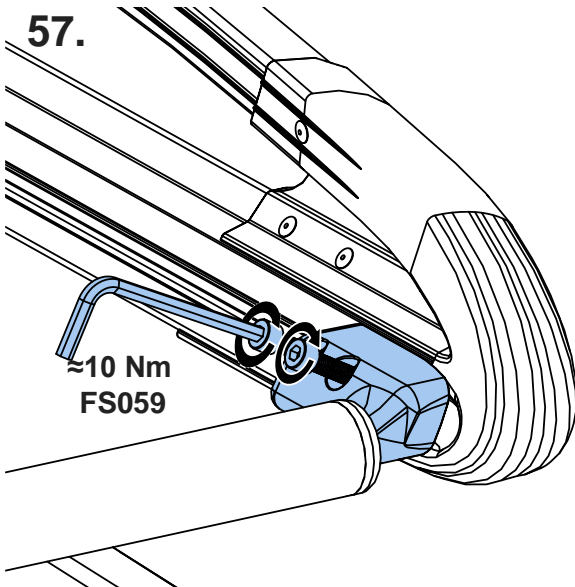
55.



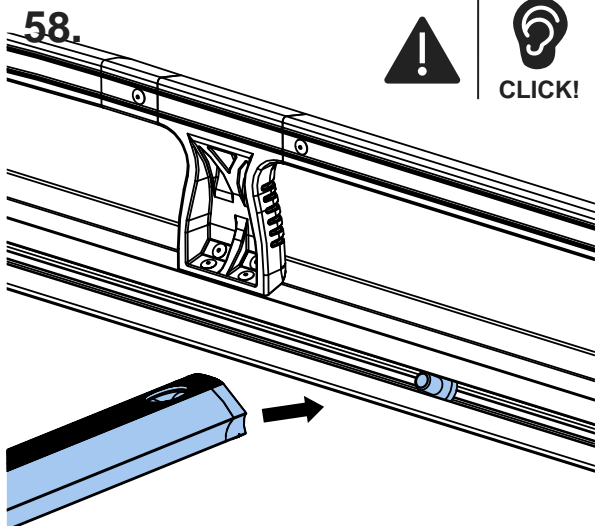
56.



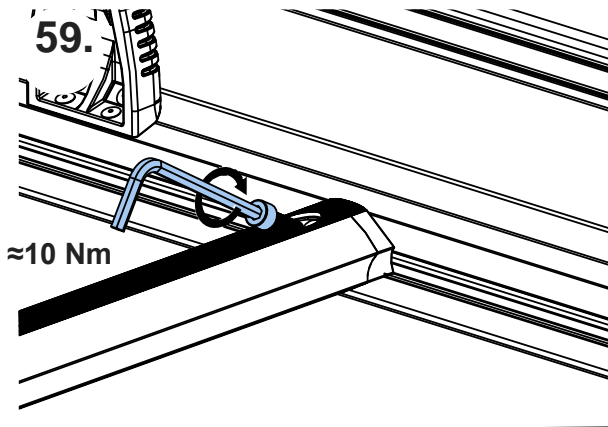
57.



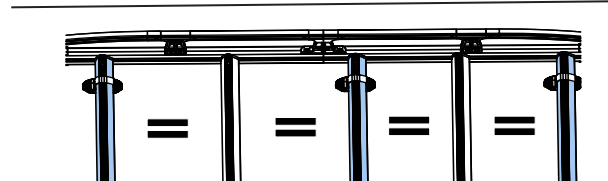
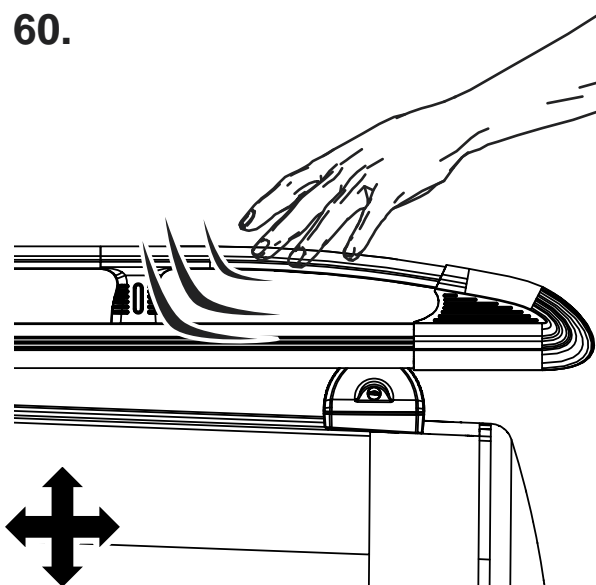
58.



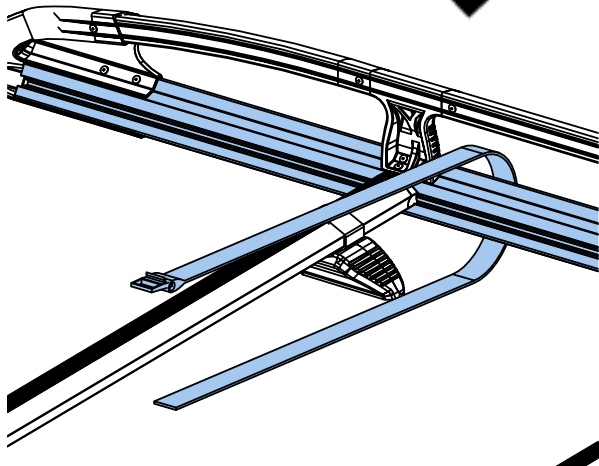
59.



60.



61.



62.

