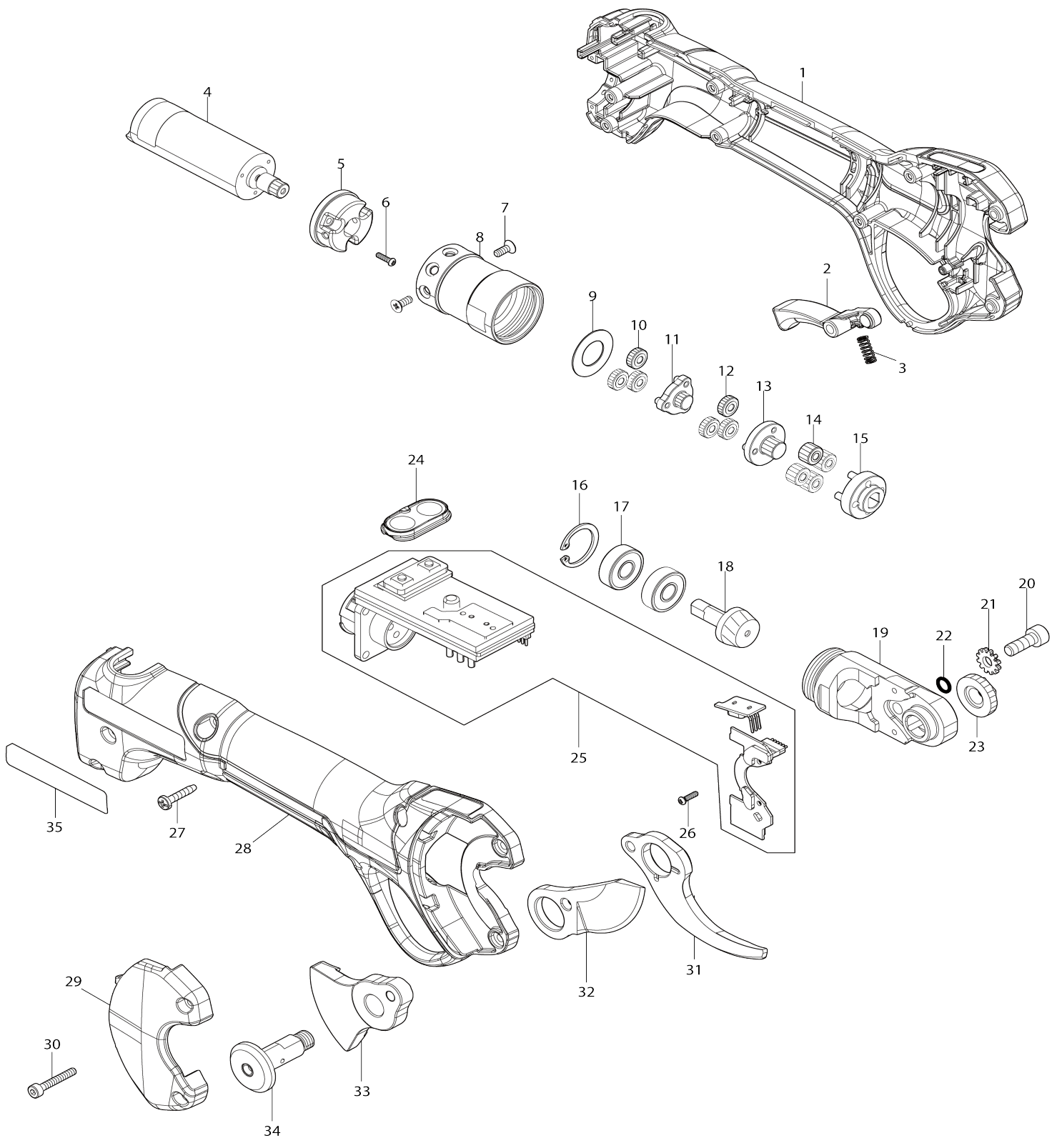


Model No.DUP180 BATTERY POWERED PRUNING SHEARS



Model No.DUP180 BATTERY POWERED PRUNING SHEARS

Item No.	Parts No.	Description	Interchangability	Q'ty	New/Old	Note1	Note2
001	1830B4-2	HOUSING SET		1			
C10	8065E6-9	INDICATION LABEL		1			
C20	8065E7-7	INDICATION LABEL		1			
D10		INC. 28					
002	141S58-5	TRIGGER COMPLETE		1			
003	232765-8	COMPRESSION SPRING 3		1			
004	629C35-6	DC MOTOR		1			
005	312D98-2	MOTOR HOLDER		1			
006	265D05-3	PAN HEAD SCREW M2X8		3			
007	912007-3	C.H.SCREW M3X8		2			
008	227A61-3	INTERNAL GEAR 43		1			
009	253084-9	FLAT WASHER 12		1			
010	227A62-1	SPUR GEAR 15		3			
011	141S56-9	SPUR GEAR 11 B COMPLETE		1			
012	227A62-1	SPUR GEAR 15		3			
013	141S57-7	SPUR GEAR 13 COMPLETE		1			
014	227A63-9	SPUR GEAR 14		4			
015	162C31-6	SUPPORTER COMPLETE		1			
016	962059-4	RETAINING RING (INT) R-19		1			
017	210017-7	BALL BEARING 607DDW		2			
018	227B18-0	ZEROL BEVEL GEAR 9		1			
019	327C47-0	GEAR HOUSING		1			
020	265D07-9	HEX.SOCKET HEAD BOLT M5X14		1			
021	253578-4	LOCK PLATE		1			
022	213021-5	O RING 5		1			
023	252321-8	HEX. NUT M8		1			
024	162C34-0	SWITCH PLATE COMPLETE		1			
025	620K68-2	CONTROLLER		1			
026	265D05-3	PAN HEAD SCREW M2X8		2			
027	266130-9	TAPPING SCREW BIND PT 3X16		6			
028	1830B4-2	HOUSING SET		1			
C10	8065E6-9	INDICATION LABEL		1			
C20	8065E7-7	INDICATION LABEL		1			
D10		INC. 1					
029	141S63-2	HOUSING COVER COMPLETE		1	*		
C10	8065E8-5	CAUTION LABEL		1	*		
029-1	141S62-4	HOUSING COVER COMPLETE	O	1	*		
C10	8065E8-5	CAUTION LABEL		1	*		
029-2	1410T0-2	HOUSING COVER COMPLETE	<	1			
C10	8065E8-5	CAUTION LABEL		1			
030	265633-0	HEX SOCKET HEAD BOLT M3X20		2			
031	1913P3-6	SHEAR BLADE L SET		1			
032	1913P4-4	SHEAR BLADE U SET		1			
033	141S59-3	BLADE HOLDER COMPLETE		1			
034	162C35-8	SHOULDER SCREW M8 COMPLETE		1			
035	8142L8-2	DUP180 NAME PLATE		1			
A01	782212-4	SOCKET WRENCH 13		1			

A02	783202-0	HEX. WRENCH 4		1		
A03	783208-8	HEX. WRENCH 2.5		1		
A04	162C23-5	HOLSTER		1		
A05	1912E4-1	DRESSER STONE SET		1		
A06	182470-6	OIL SUPPLY		1		
A07	630E23-0	BATTERY ADAPTER		1		
F02	1913P3-6	SHEAR BLADE L SET		1		
F03	1913P4-4	SHEAR BLADE U SET		1		
A08	***DC18WC	DC18WC BATTERY CHARGER		1		
D10		COMPO-PARTS				
A09	197280-8	BATTERY BL1850B SET		1		
A10	821551-8	CONNECTOR PLASTIC CASE (TYP E3)		1		
C10	453974-8	LATCH		4		
A11	8357T6-9	INNER TRAY		1		
A12	450128-8	BATTERY COVER		1		